

## 55FPTOC-3/B

SEQ	REF #	DESCRIPTION	PART #	QTY	SEQ
1	001	LOCKWASHER 5/16	480-000	3	1
2	002	CAPSCREW 5/16-18 X 2	441-000	3	2
3	003	SCREW 8-32 X 5/16	40746-000	8	3
4					4
5	004	LOCKWASHER	6376-000	4	5
6	005	SCREW 8-32 X 1-1/2	10846-000	4	6
7	006	LOCKWASHER	90570-000	6	7
8					8
9	007	CAPSCREW	91256-000	6	9
10	008	SET SCREW	91347-000	1	10
11	009	NUT	447-000	1	11
12	010	EYE BOLT	91137-000	1	12
13					13
14	145	SPACER	91172-000	4	14
15	146	BRACKET	91170-000	1	15
16	147	SHIELD	91171-000	1	16
17					17
18	201	COVER	91175-001	1	18
19	203	LOUVERED PANEL	91174-000	1	19
20	205	BASE COVER	91246-000	1	20
21	212	REAR PANEL (BARE)	91371-000	1	21
22					22
23	222	MAGNETIC LATCH	91177-000	2	23
24	240	FRONT PANEL ASSY	91359-001	1	24
25	244	TRANSFORMER	91397-000	1	25
26	249	FRONT PANEL (BARE)	99006-002	1	26
27					27
28	252	RECEPTACLE (OCTOPUS) 225A	91427-400	1	28
29	253	VOLTMETER - 240V	91370-000	1	29
30	***	VM MAG SHIELD ***	91469-000	1	30
31					31
32	255	CIRCUIT BREAKER 50A 240V	57030-000	1	32
33	257	RECEPTACLE 6-50R	57325-000	1	33
34	258	CIRCUIT BREAKER 15A 120V	91286-000	1	34
35					35
36	259	RECEPTACLE 5-15R	24749-000	1	36
37	263	CIRCUIT BREAKER (225A)	91447-008	1	37
38	267	PLUG (OCTOPUS) 225A	91859-000	1	38
39	268	RETAINER PLATE	91350-000	1	39
40					40
41	512	COVER (IMPELLER)	91337-000	1	41
42	514	STATOR (FRAME ASSY)	91293-000	1	42
43					43
44	***	NOT ILLUSTRATED			44

## 55FPTOC-3/B

SEQ	REF #	DESCRIPTION	PART #	QTY	SEQ
45	515	END BRACKET	91212-000	1	45
46	516	RETAINER	91211-001	1	46
47	517	SPACER	21264-000	3	47
48					48
49	530	ROTOR ASSEMBLY	91304-000	1	49
50	532	BEARING	91111-000	1	50
51	533	IMPELLER	91101-000	1	51
52					52
53	534	BEARING (DRIVE END)	91112-000	1	53
54	536	RETAINER	91196-000	1	54
55	571	RECTIFIER	91452-000	1	55
56					56
57	572	RING (BRUSH HOLDER)	91211-002	1	57
58	573	SPACER (FIBER)	23532-000	2	58
59	574	BRUSH (1/4 X 3/8)	23607-000	4	59
60					60
61	575	BRUSH HOLDER	59690-000	4	61
62	***	BARRIER SPACER ***	59688-000	4	62
63					63
64	***	NOT ILLUSTRATED			64
65					65
66					66
67					67
68					68
69					69
70		GEARBOX PARTS LISTING			70
71					71
72					72
73	REF.	DESCRIPTION	PART NO.	QTY	73
74					74
75	006	LOCKWASHER	90570-000	4	75
76	007	CAPSCREW	91256-000	4	76
77	011	STUD	91138-000	2	77
78					78
79	131	SUPPORT & COVER	91103-000	1	79
80	132	SEAL (ROTOR SHAFT)	91116-000	1	80
81	133	SLINGER	91345-000	1	81
82					82
83	134	GEAR (1000 RPM PINION)	91292-000	1	83
84	135	LOCKWASHER	91289-000	1	84
85					85
86	136	NUT	91290-000	1	86
87	137	SEAL (COVER)	91247-000	1	87
88	138	BEARING	91250-000	2	88

## 55FPTOC-3/B

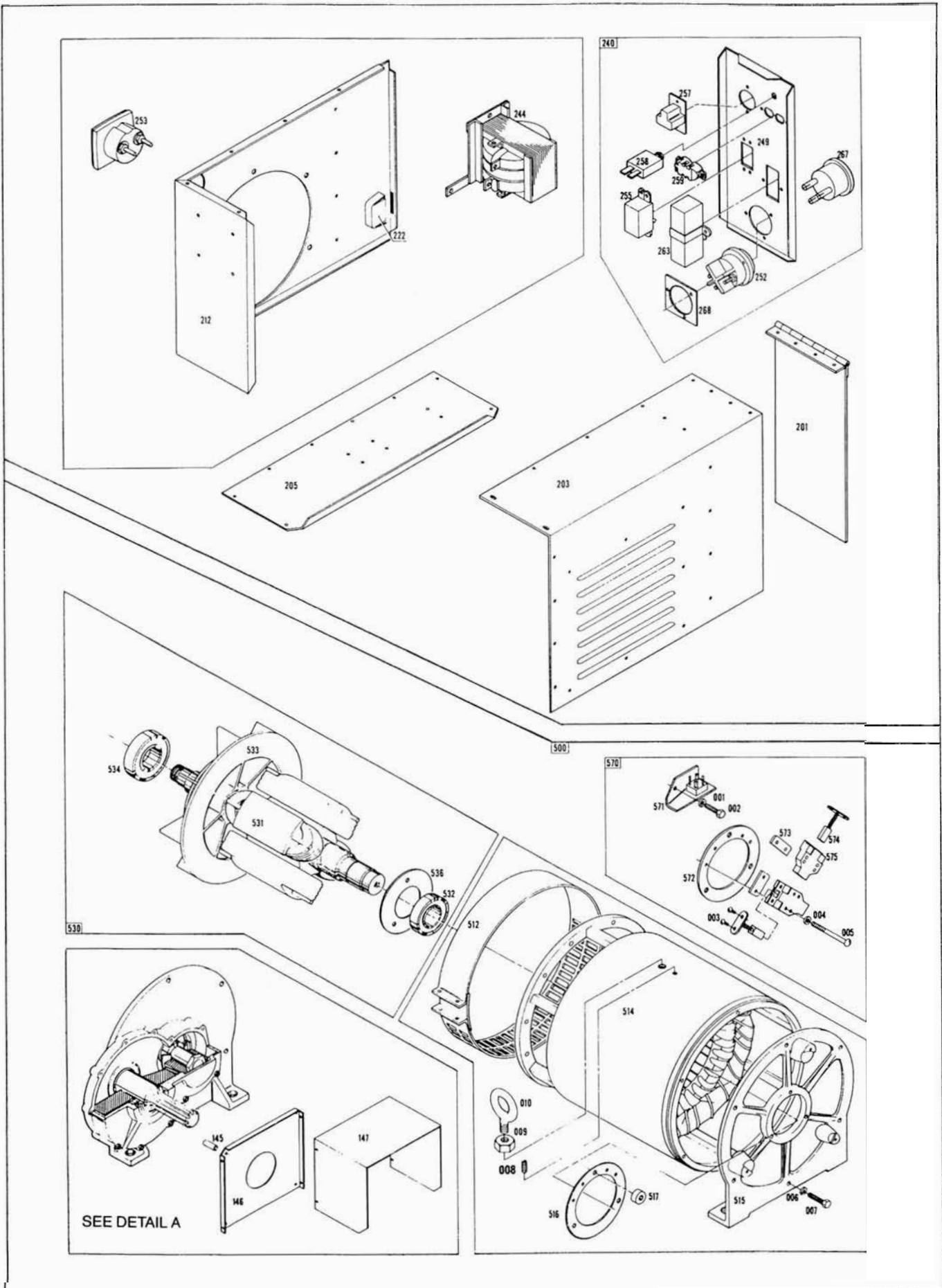
SEQ	REF #	DESCRIPTION	PART #	QTY	SEQ
89					89
90	139	SPACER (FRONT)	91108-001	1	90
91	140	SHAFT	91344-000	1	91
92	141	KEY	91117-000	1	92
93					93
94	142	GEAR (1000 RPM INPUT)	91248-000	1	94
95	143	SPACER (REAR)	91108-002	1	95
96	144	GASKET	91104-000	1	96

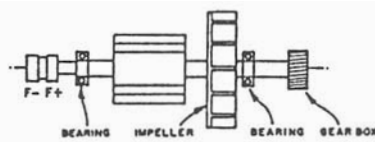
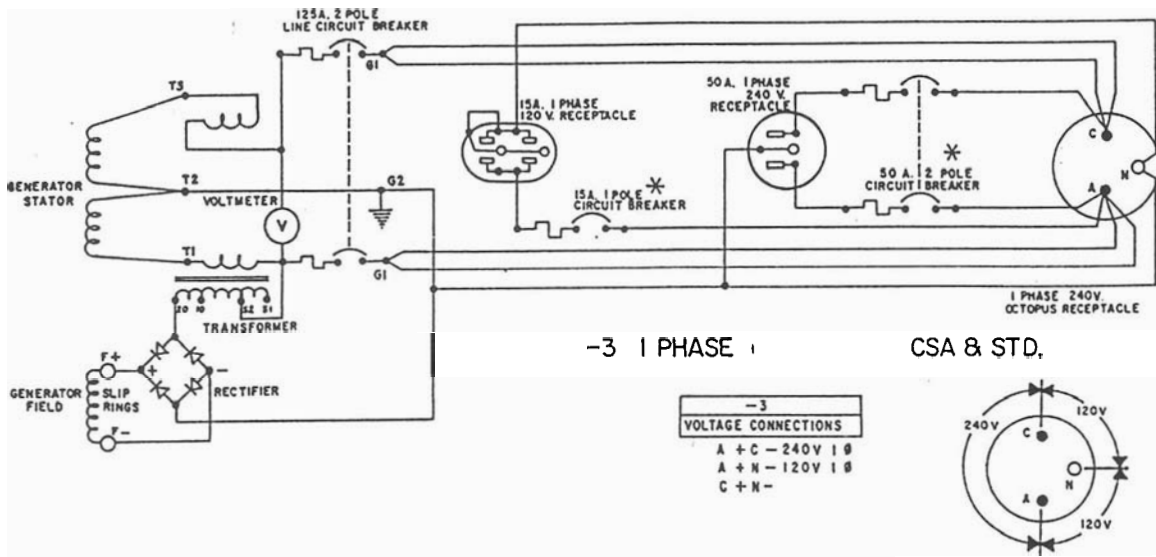
## UNIT MODEL SERIES

55FPTOC-3/B

---

COMPLETE UNIT ASSY.	91379-004
AC RESIDUAL VOLTS	7.0 VAC L-L
FIELD RESISTANCE	5.36 OHMS
SCHEMATIC DIAGRAM	B-91322
WINDING SPEC. (SS#)	1313
ARM. CONNECTION (AC#)	315





GENERAL SLIP RING IDENTIFICATION-ALL MODELS