

The -3 in the model
number indicates 115/230
volt, 60 cycle.

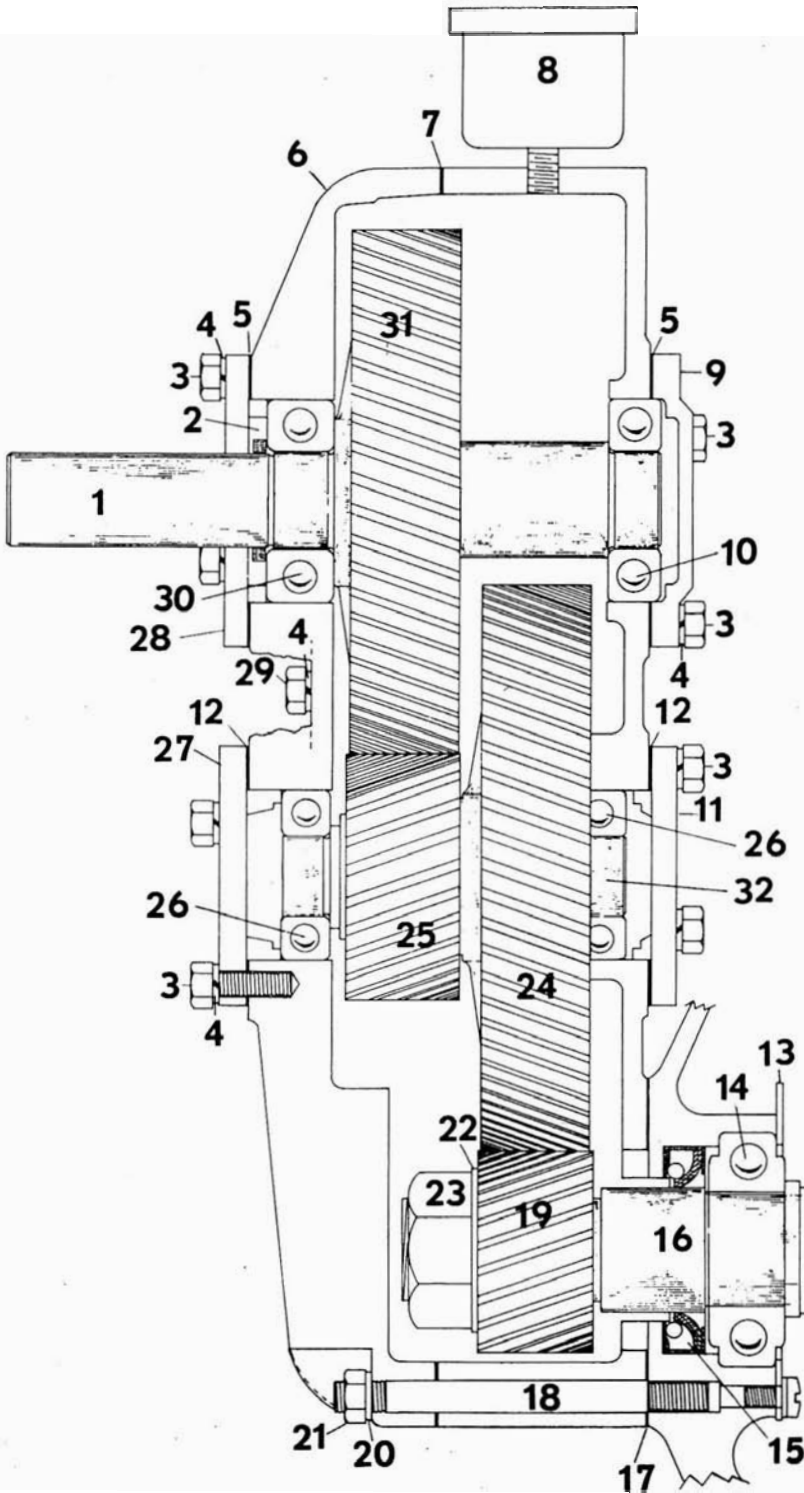
SIZE: 18,000 Watts
DRIVE: PTO
TYPE: Two Pole

PARTS LIST SPL-41
MODEL: 18PTOF-3/C

Armature 115/230 volt	52497-1
Bearing, comm. end	50215
Bearing retaining ring (comm. end)	21549
Bearing, drive end	46913
Bearing retainer plate	44318
Oil seal	46912
Spacer	20137
Field coil	52563
Field coil	52563-1
Field shell & bracket	54784
Armature nut (fan end)	9549
Armature flat washer (fan end)	21867
Armature lockwasher (fan end)	20039
End bracket (drive end)	54804 51046-1
Fan	23404
Fan lockwasher	40552
End cover	23634
End cover screw	53644
Brush holder & rack assy	53977 & -1
AC brush holder (12)	23500-2
AC brush (12)	24981
Rectifier	53976
Brush, Q ring (2)	53949
Brush holder, Q ring (1)	23500
AC condenser	41221
Voltmeter	52490
Base assy	51147
Receptacle , 115 V duplex	24749
Receptacle, 230 V, 50 amp	48343 57325
Receptacle, 3 wire twistlock	22901 55278
Fuse base	54773
Fuse (2)	54800
Element only for fuse	54800-1
Eye bolt	54790
Safety shield	53332

See Form 121 attached for gear case parts

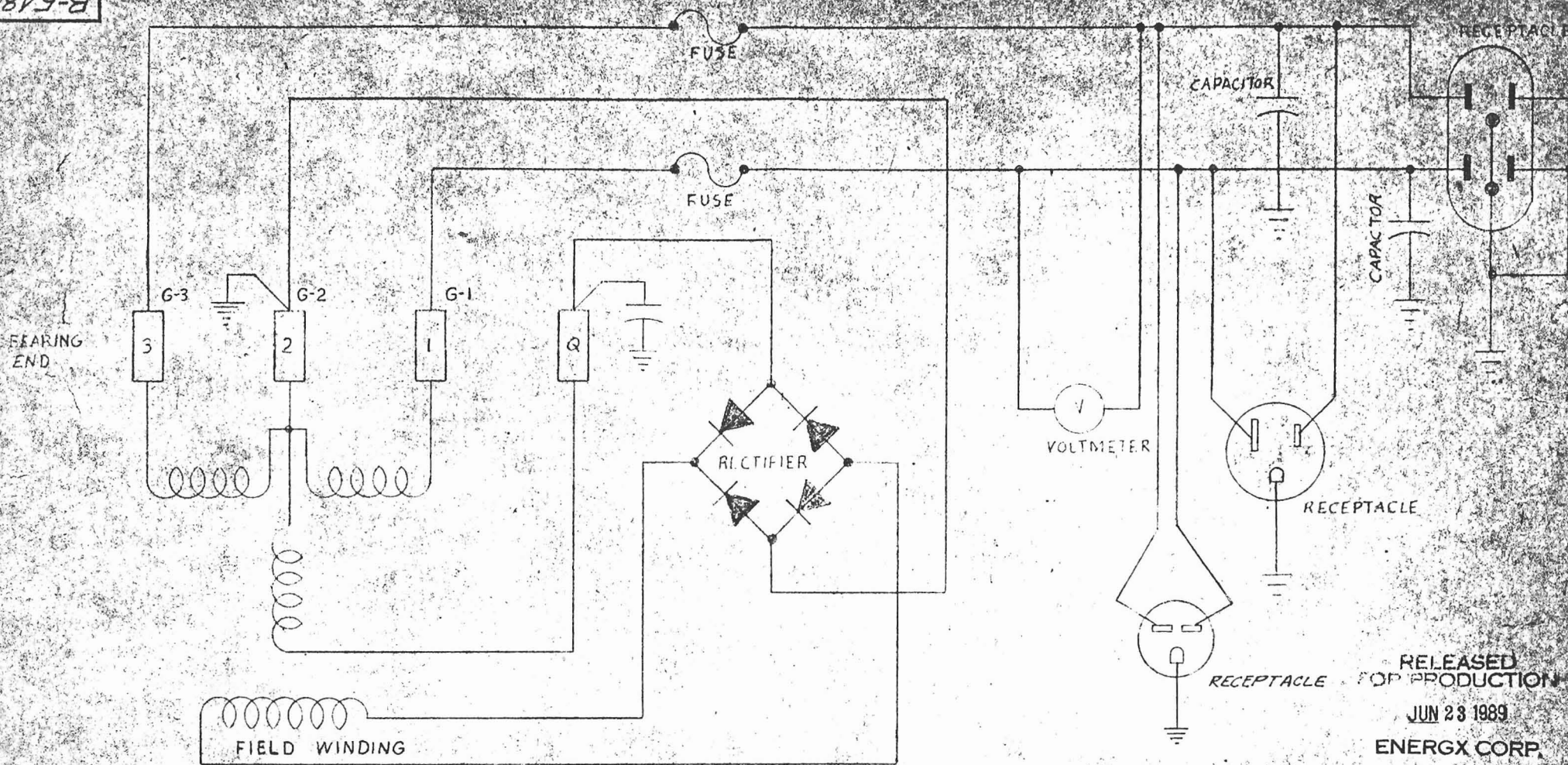
GEAR CASE FOR TRACTOR DRIVEN PTO GENERATORS MODELS ENDING IN /B AND /C



Ref. No.	Part No.	DESCRIPTION	Quantity
1	46296	Shaft	1
2	20029	Oil Seal	1
3	465	Cap Screw 5/16 - 18 x 7/8	12
4	480	Lockwasher 5/16"	24
5	46299	Gasket	2
6	46700	Gear Case & Cover	1
7	20016	Gasket	1
8	40716	Breather	1
9	46295	Bearing Retainer	1
10	46289	Bearing	1
11	46286	Bearing Retainer	1
12	46298	Gasket	2
13	44318	Retainer Plate	1
14	46913	Bearing	1
15	46912	Oil Seal	1
16	20137	Bushing	1
17	20136	Gasket	1
18	20017	Stud	3
19	46545	Pinion	1
20	630	Lockwasher	3
21	459	Hex Nut 3/8"	3
22	20139	Lockwasher	1
23	20160	Hex Jam Nut	1
24	46546	Gear	1
25	46547	Pinion	1
26	649	Bearing	2
27	46293	Bearing Retainer	1
28	46294	Bearing Retainer	1
29	580	Cap Screw 5/16 - 18 x 1 1/4	12
30	648	Bearing	1
31	46548	Gear	1
32	20128	Shaft	1
*	40965	1 Qt. Gear Oil	1
*	1774	Woodruff Key #15 (1/4 x 1")	4
†	4133	Pin	

* Not shown on drawing.

B-54805



RELEASED FOR PRODUCTION
 JUN 23 1989
 ENERGX CORP.

184202W PTO

ALL DIMENSIONS GIVEN IN INCHES - WORK TO DIMENSIONS - DO NOT SCALE - SAMPLES MUST BE APPROVED BY WINCHARGER ENGINEERING DEPT BEFORE PROCEEDING WITH PRODUCTION - TOLERANCES (UNLESS OTHERWISE SPECIFIED): FRACTIONS ± 1/100 DECIMALS ± .005 PUNCHED HOLES ± .004 ± .000									
DRAWN BY	DATE	CHKD BY	DATE	APPRD BY	DATE	SCALE			
TJK	8-29-69	RM	9-3-69	RM	9-3-69				
MATERIAL									
FINISH									
ASSY							D-54787		
MODEL							18 PTOF-3/C		
1 ORIGINAL							SCHEMATIC		
WINCHARGER CORP.							B-54805		
SIOUX CITY, IOWA									
ISSUE	REVISION	DATE	BY	AUTH					