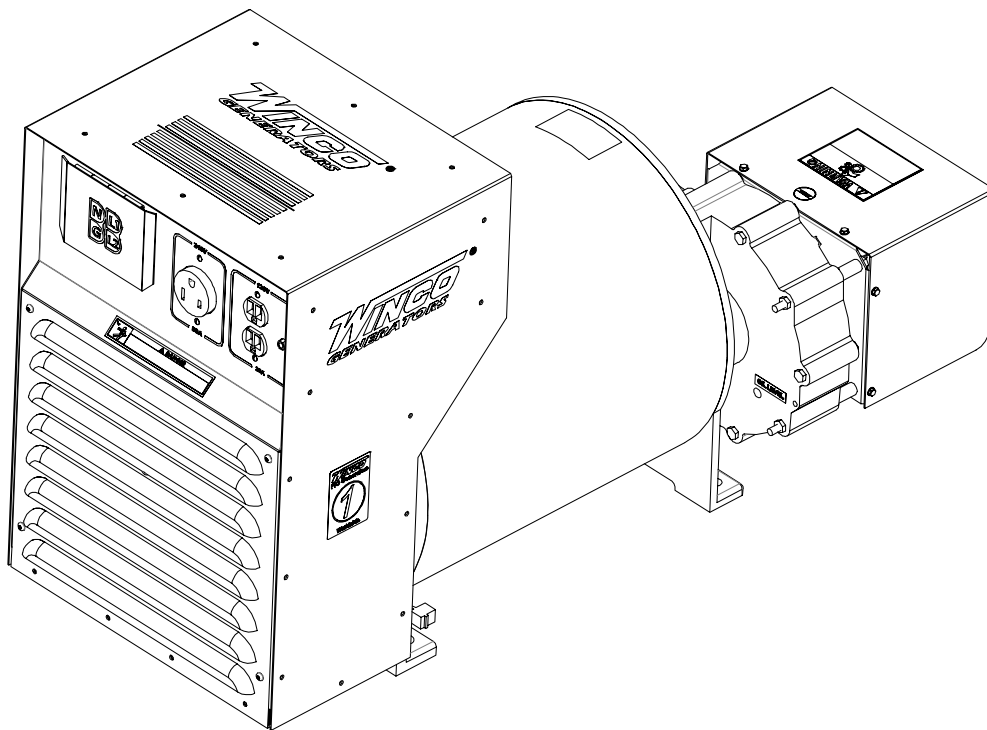


WINCO INC[®]

ILLUSTRATED PARTS LIST

35PTOC-3/J 35FPTOC-3/J



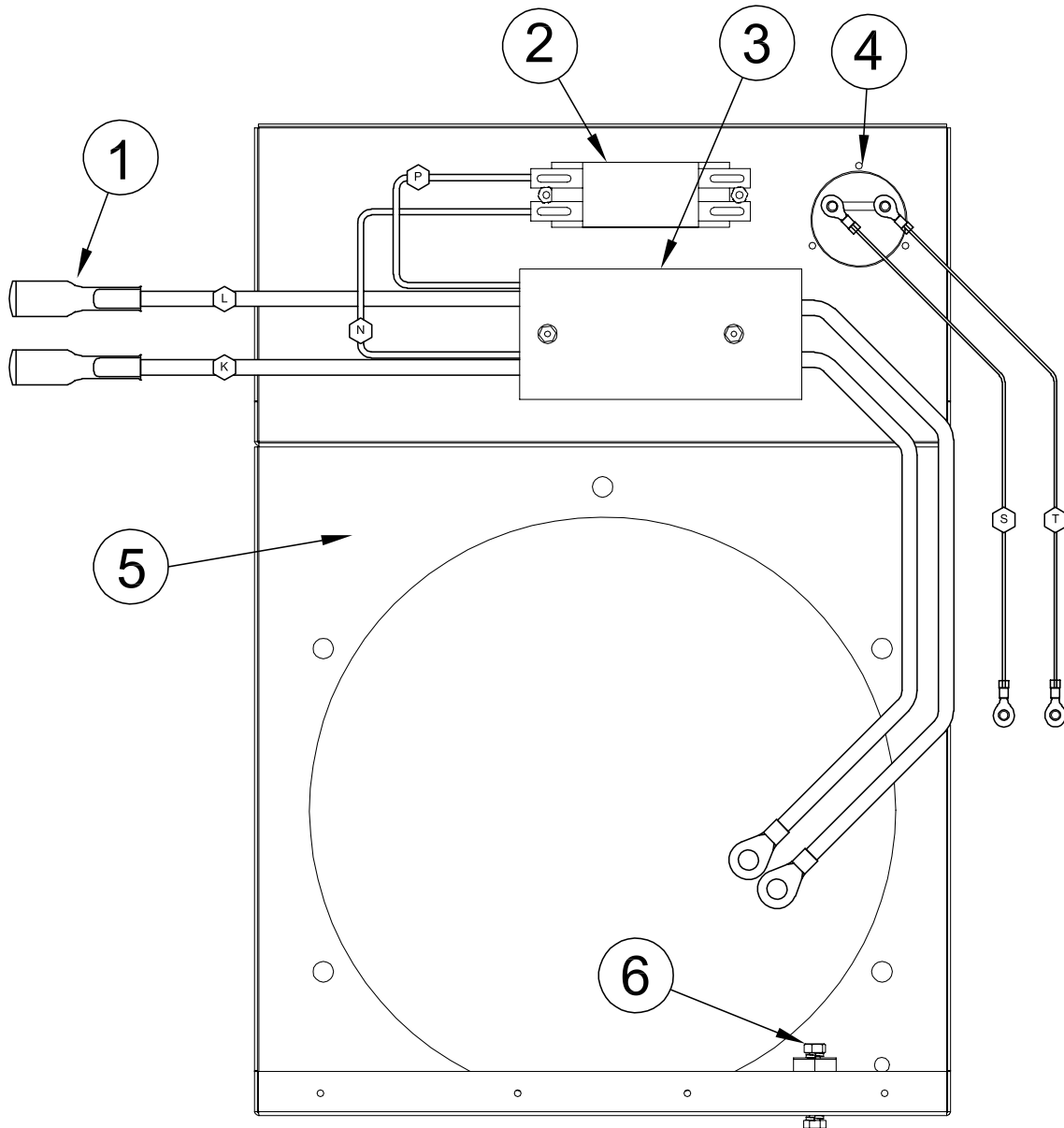
**TECHNICAL DATA:
RESISTANCES:**

**AC RESIDUAL VOLTS
FIELD RESISTANCE
WINDING SPEC.**

**7.0 VAC L-L
3.51 OHMS
SS1298**

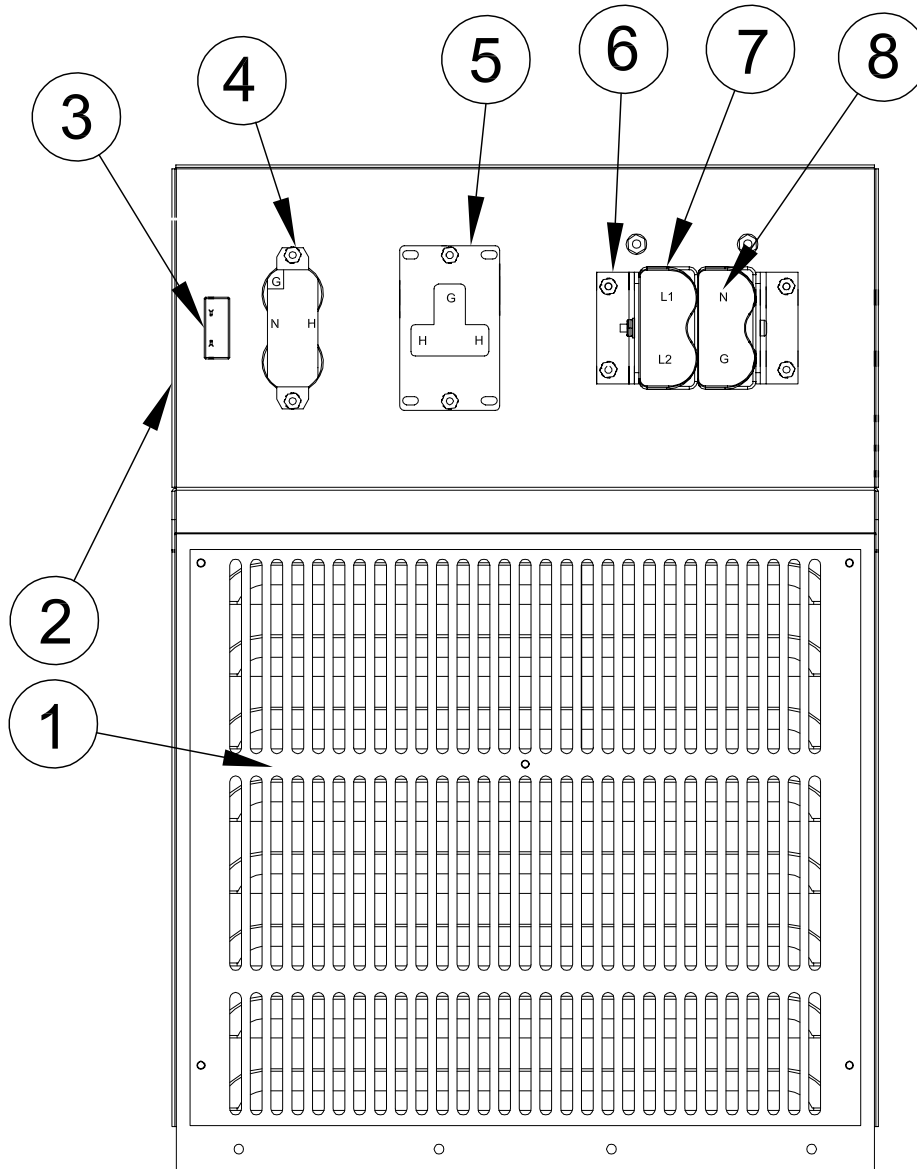
**WINCO INC.
225 S. CORDOVA AVE.
LECENTER, MN 56057
507-357-6821
SERVICE DEPT.
507-357-6831
www.wincogen.com**

BREAKER PANEL ASSEMBLY



| REF # | PART NUMBER | QTY | DESCRIPTION |
|-------|-------------|-----|------------------------|
| 1 | EE23283 | 2 | # 6 AWG Contact |
| 2 | 57030-000 | 1 | 50 Amp 2-Pole Breaker |
| 3 | 91447-007 | 1 | 150 Amp 2-Pole Breaker |
| 4 | 91370-000 | 1 | Voltmeter |
| 5 | 61141-003S | 1 | Breaker Panel |
| 6 | 94378-000 | 1 | Stand-off Insulator |

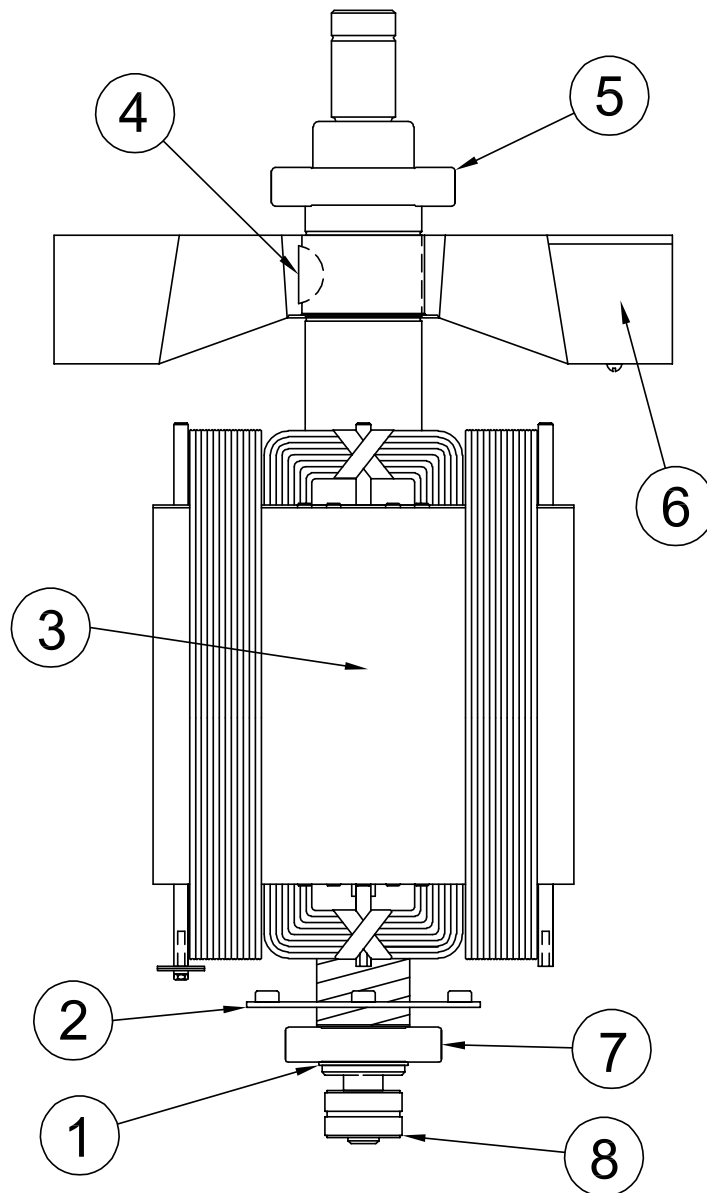
RECEPTACLE PANEL ASSEMBLY



| REF # | PART NUMBER | QTY | DESCRIPTION |
|-------|-------------|-----|-----------------------|
| 1 | 91246-005 | 1* | Panel Screen |
| 2 | 61138-004S | 1* | Receptacle Panel |
| 3 | 91286-001 | 1 | 20 Amp Breaker |
| 4 | 50766-000 | 1 | 20 Amp Receptacle |
| 5 | 57325-000 | 1 | NEMA 6-50R Receptacle |
| 6 | 300117-1 | 2 | Connector Support |
| 7 | EE2327 | 2 | 175 Amp Housing |
| 8 | EE23283 | 2 | # 6 AWG Contact |

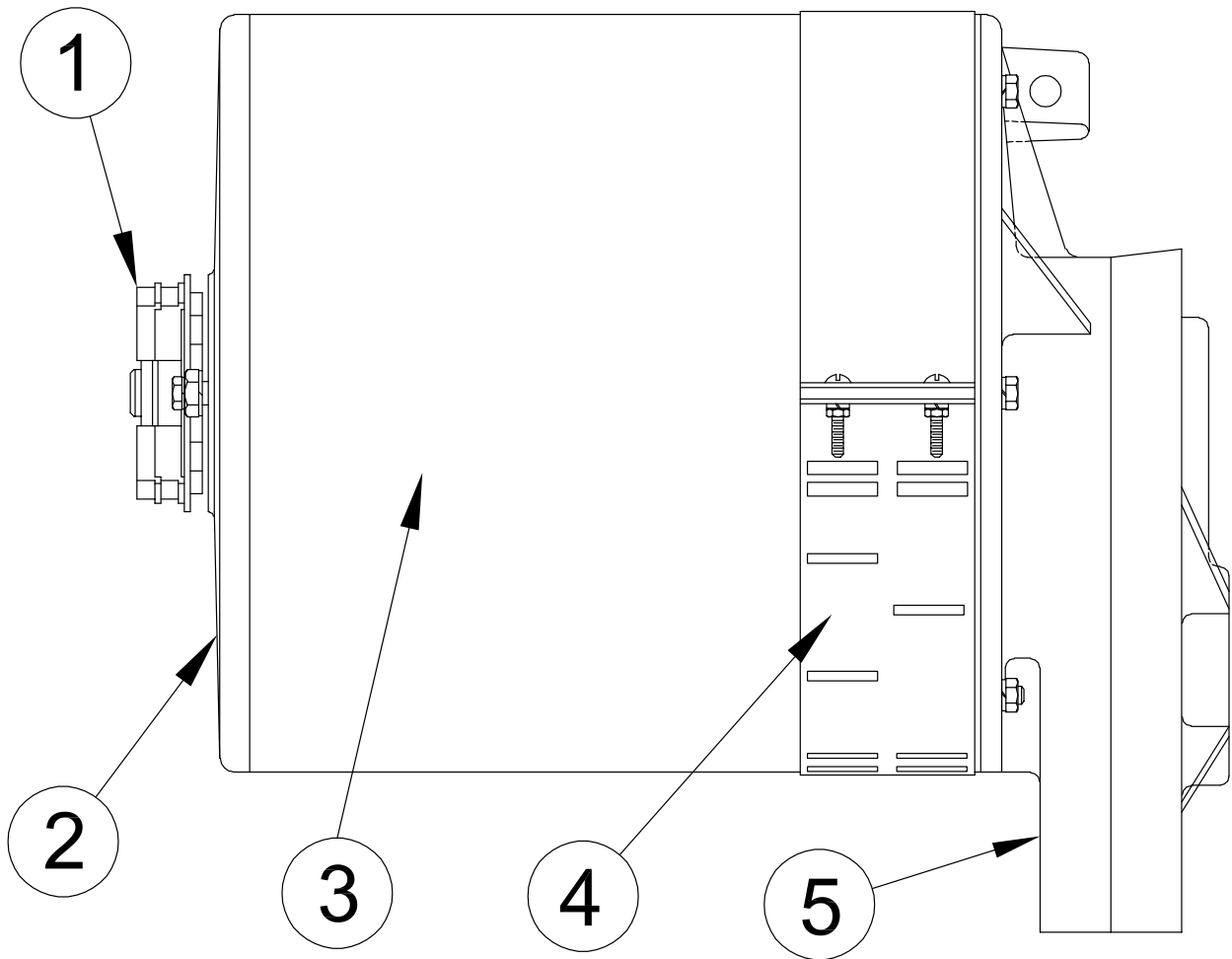
* Early versions had this screen. Later versions had the mesh screen as part of the Receptacle Panel.

COMPLETE ROTOR ASSEMBLY



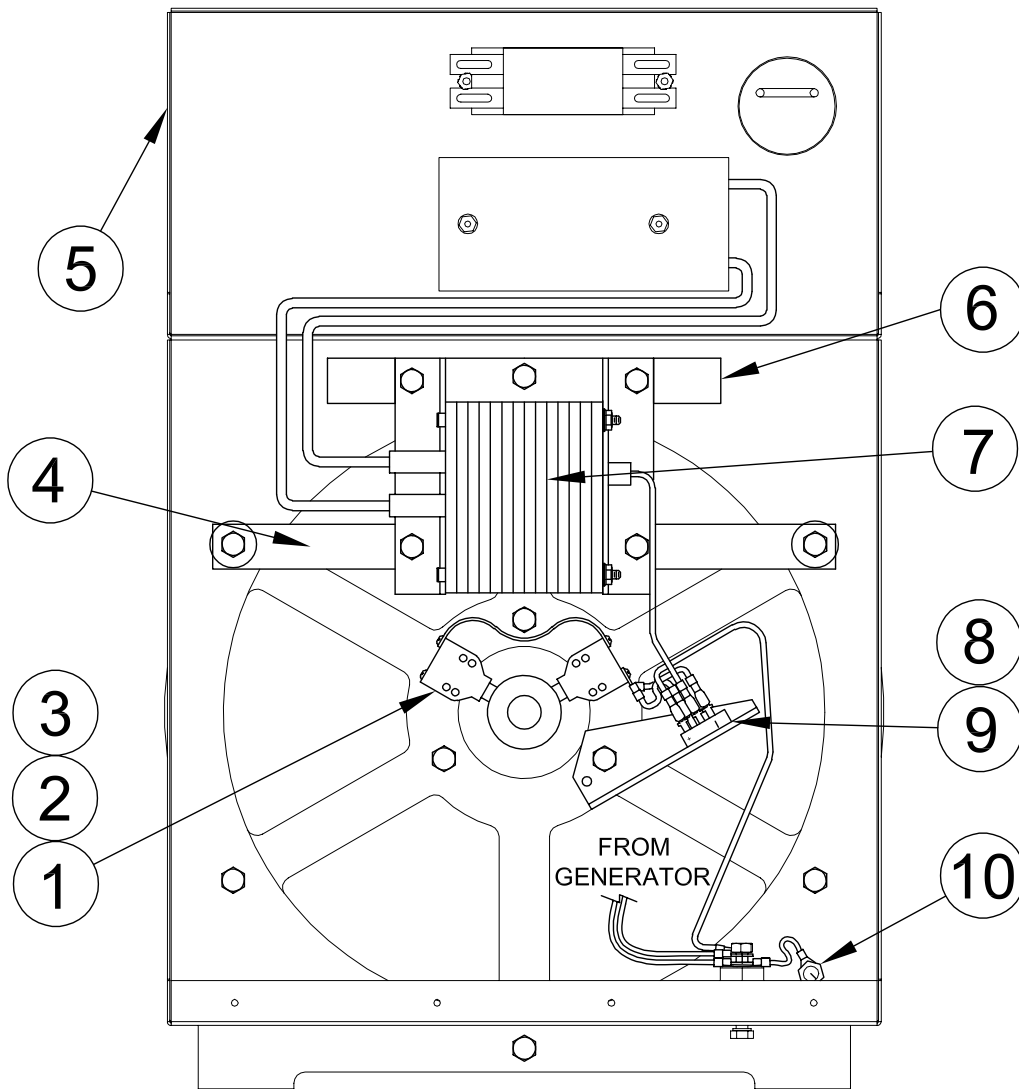
| REF # | PART NUMBER | QTY | DESCRIPTION |
|-------|-----------------|-----|---|
| 1 | 91238-000 | 1 | Retaining Ring |
| 2 | 91196-000 | 1 | Retainer Ring Assembly |
| 3 | 91237-000 | 1 | Complete Rotor Assy. Includes Bearings & Fan |
| 4 | 91158-000 | 1 | Woodruff Key |
| 5 | 91112-000 | 1 | Bearing |
| 6 | 91101-000 | 1 | Impellor (Fan) |
| 7 | 91111-000 | 1 | Bearing |
| 8 | 55088-000 | 1 | Slip Rings |
| NI | 91136-000 | 2 | Retainer Ring for Fan |
| NI | Not Illustrated | | |

STATOR & GEAR CASE ASSEMBLY



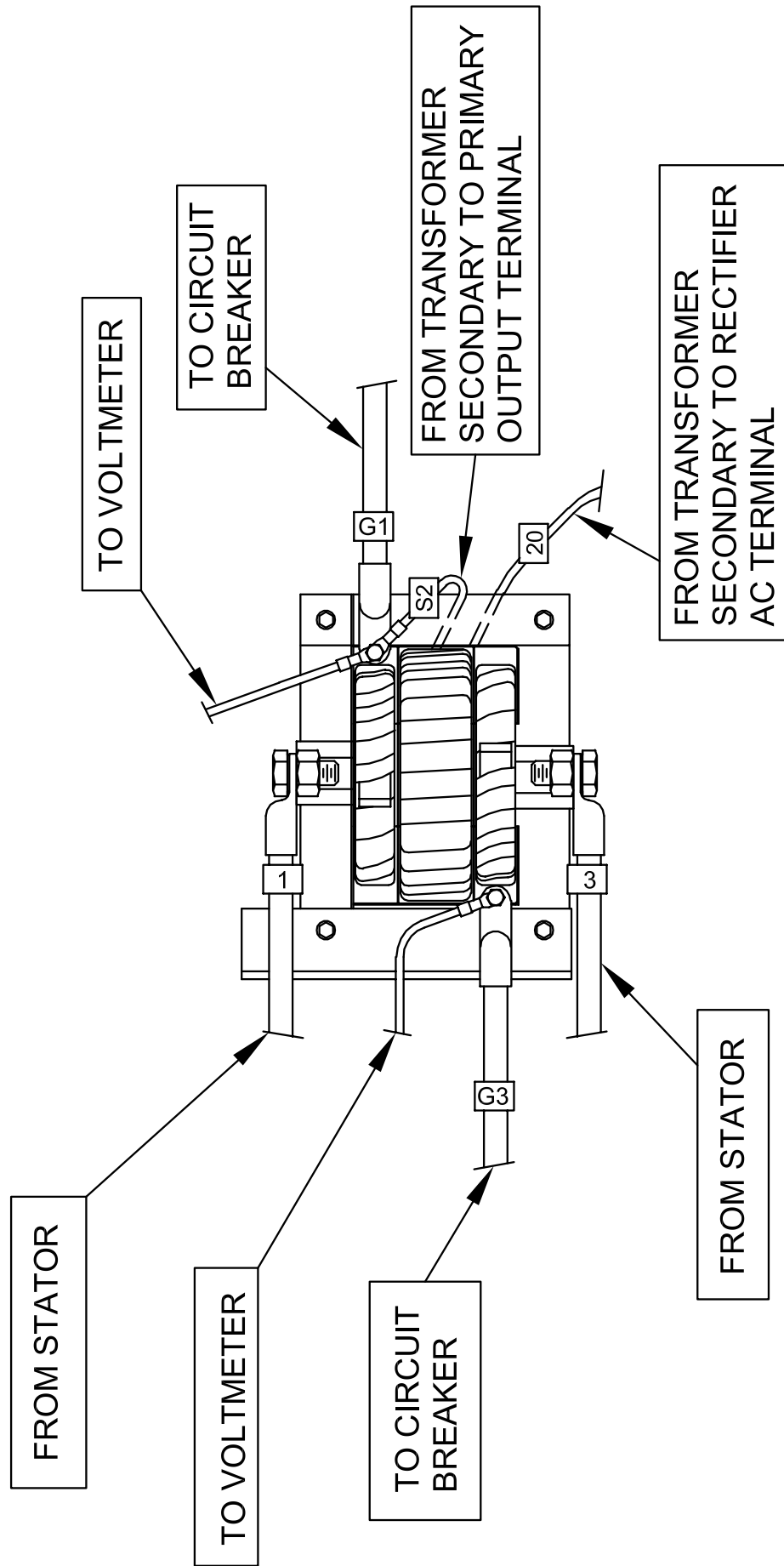
| REF # | PART NUMBER | QTY | DESCRIPTION |
|-------|-----------------|-----|--------------------------|
| 1 | 91251-000 | 1 | Brush Holder Assembly |
| 2 | 91212-000 | 1 | End Bracket |
| 3 | 91148-000 | 1 | Complete Stator Assembly |
| 4 | 91337-000 | 1 | Cooling Air Screen |
| 5 | Reference | 1 | Gear Box Assembly |
| NI | 91137-000 | 1 | Eye Bolt |
| NI | Not Illustrated | | |

TRANSFORMER ASSEMBLY

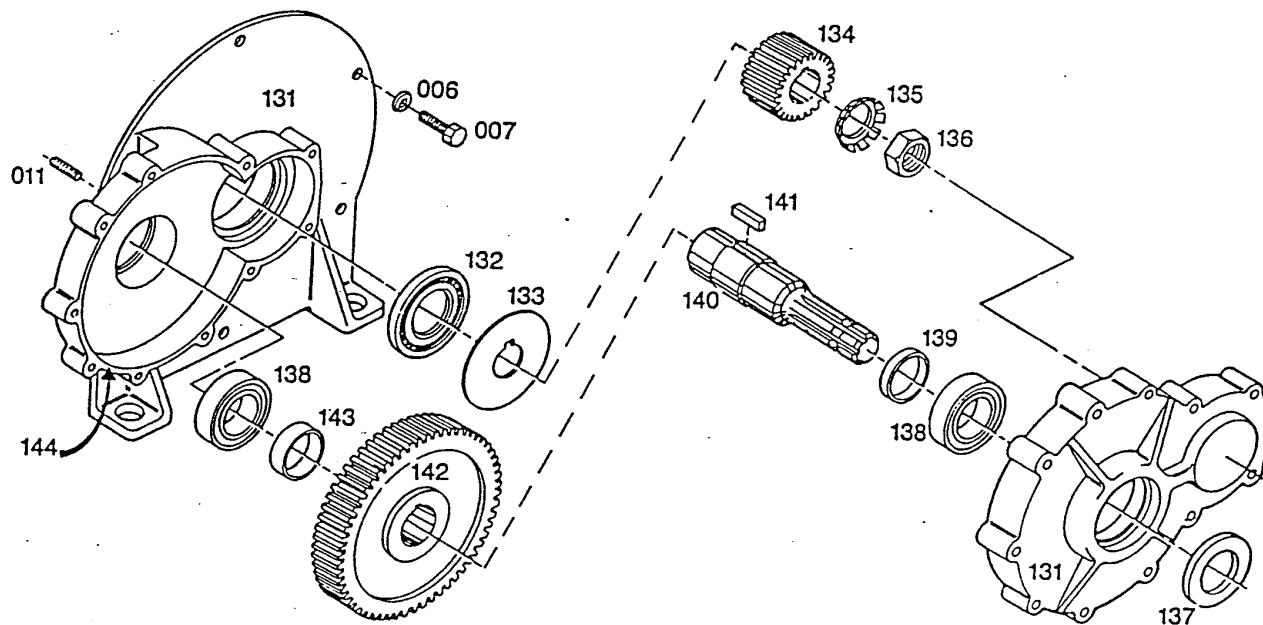


| REF # | PART NUMBER | QTY | DESCRIPTION |
|-------|-----------------|-----|------------------|
| 1 | 23607-000 | 4 | AC Brush |
| 2 | 59690-000 | 4 | AC Brush Holder |
| 3 | 41378-013 | 2 | Copper Strap |
| 4 | 91242-000 | 1 | Strap |
| 5 | 91174-402 | 1 | Cover |
| 6 | 91243-000 | 1 | Strap |
| 7 | 91187-001 | 1 | Transformer |
| 8 | 91179-000 | 1 | Bracket |
| 9 | 91452-000 | 1 | Bridge Rectifier |
| 10 | 48043-000 | 1 | Ground Lug |
| NI | 15750-001 | 1 | Ground Decal |
| NI | Not Illustrated | | |

TRANSFORMER CONNECTIONS

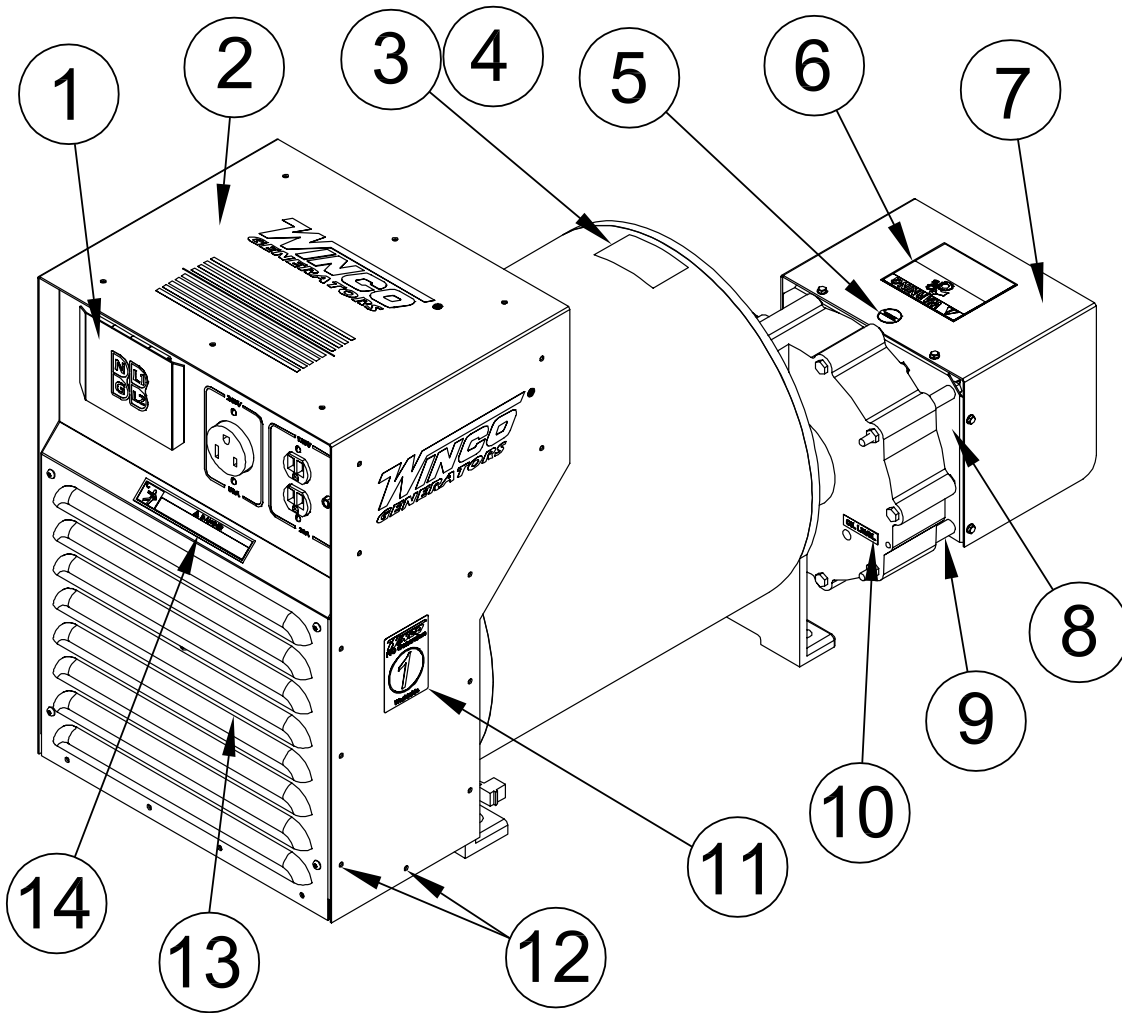


GEAR BOX ASSEMBLY



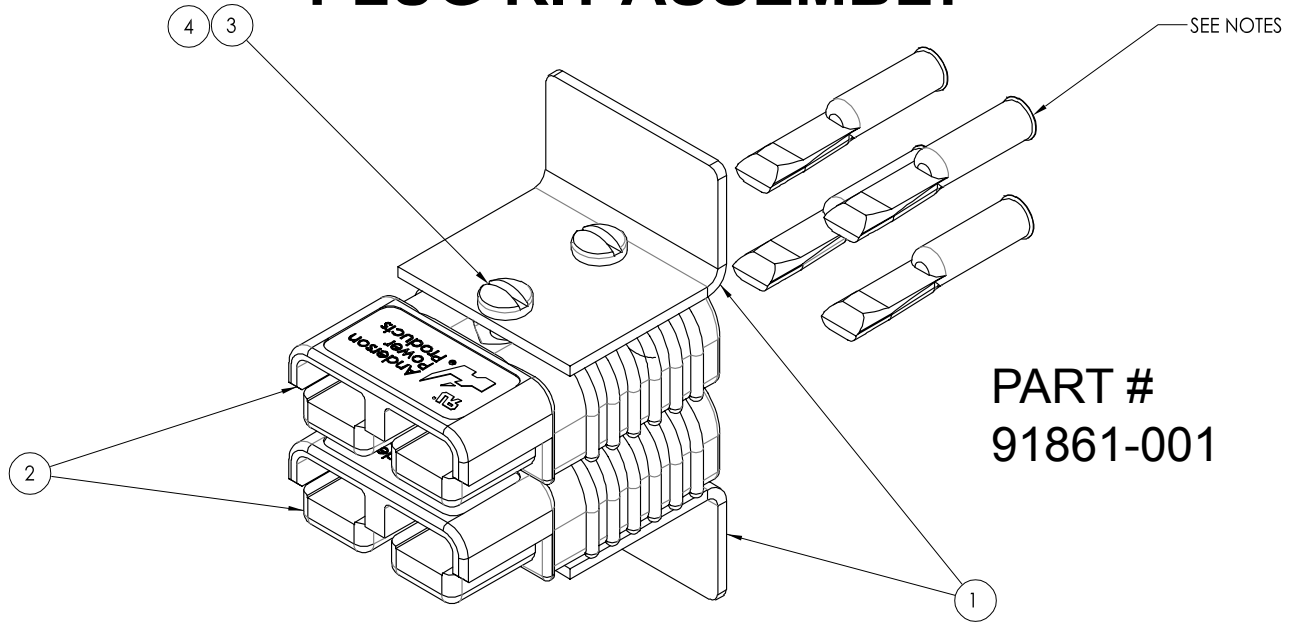
| REF # | PART # | QTY | DESCRIPTION |
|-------|-----------------|-----|------------------------|
| 006 | 90570-000 | 4 | Lock Washer |
| 007 | 91256-000 | 4 | Cap Screw |
| 011 | 91138-000 | 2 | Stud |
| 131 | 91103-400 | 1 | Support & Cover |
| 132 | 91116-000 | 1 | Seal (Rotor Shaft) |
| 133 | 91345-000 | 1 | Slinger |
| 134 | 91224-000 | 1 | Gear (1000 rpm pinion) |
| 134 | 91225-000 | 1 | Gear (540 rpm pinion) |
| 135 | 50531-000 | 1 | Lock Washer |
| 136 | 50532-000 | 1 | Nut |
| 137 | 91247-000 | 1 | Seal (Cover) |
| 138 | 91111-000 | 2 | Bearing |
| 139 | 91108-001 | 1 | Spacer (Front) |
| 140 | 91344-000 | 1 | Shaft |
| 141 | 91117-000 | 1 | Key |
| 142 | 91248-000 | 1 | Gear (1000 rpm input) |
| 142 | 91118-000 | 1 | Gear (540 rpm input) |
| 143 | 91108-002 | 1 | Spacer (Rear) |
| 144 | 91104-000 | 1 | Gasket |
| NI | 40716-000 | 1 | Breather |
| NI | Not Illustrated | | |

COMPLETE UNIT ASSEMBLY



| REF # | PART NUMBER | QTY | DESCRIPTION |
|-------|-------------|-----|-------------------------|
| 1 | G72137 | 1 | Hinged Cover |
| 2 | 91174-402 | 1 | Cover |
| 3 | 91369-000 | 1 | 540 RPM Decal |
| 4 | 91369-001 | 1 | 1000 RPM Decal |
| 5 | 16303-000 | 1 | Oil Level Caution Decal |
| 6 | 64515-000 | 1 | PTO Warning Decal |
| 7 | 91171-000 | 1 | Shield |
| 8 | 91170-000 | 1 | Shield Bracket |
| 9 | 62825-004 | 4 | Spacer |
| 10 | 52077-000 | 1 | Oil Level Decal |
| 11 | 98479-000 | 2 | Winco # 1 Decal |
| 12 | 21698-001 | Ref | # 10 Torx Screw |
| 13 | 61138-004S | 1 | Receptacle Panel |
| 14 | 15209-003 | 1 | Electrical Shock Decal |

PLUG KIT ASSEMBLY

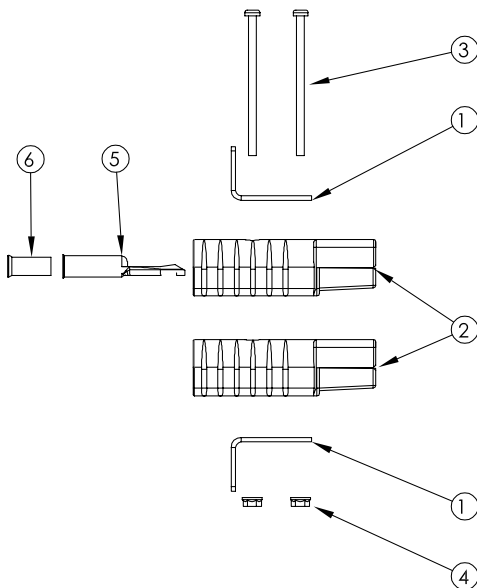


| ITEM NO. | PartNo | DESCRIPTION | QTY. |
|----------|-----------|-------------------|------|
| 1 | 300118-1 | HANDLE | 2 |
| 2 | EE2327 | HOUSING 175A | 2 |
| 3 | 20583-000 | RHMS 1/4-20 X 2.5 | 2 |
| 4 | 16248-000 | .25-20 FLANGE NUT | 2 |
| 5 | EE23281 | #2 CONTACT | 4 |
| 6 | EE23282 | #4 CONTACT | 4 |

NOTES:

1. USE ITEM 5 FOR 35PTO
2. USE ITEM 6 FOR 25PTO

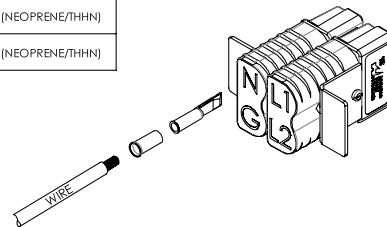
ASSEMBLY



| MODEL | SIZE (AWG) / INSULATION |
|---------------------|-------------------------|
| 25PTOC-3 (120/240V) | #4 (NEOPRENE/THHN) |
| 35PTOC-3 (120/240V) | #2 (NEOPRENE/THHN) |
| 50PTOC-3 (120/240V) | #1 (NEOPRENE/THHN) |

APPROVED CRIMPING TOOLS

1. ANDERSON POWER PRODUCTS
2. ETC MODEL HHS HYDRAULIC CRIMPER
3. ITT BLACKBURN #1640
4. THOMAS & BETTS #TBM5



1. READ INSTRUCTIONS IN FULL PRIOR TO ASSEMBLING PLUG KIT
2. VERIFY THAT ALL ITEMS AND CORRECT QUANTITIES ARE IN THE PACKAGE
3. INSTALL CONTACTS (WITH BUSHINGS IF APPLICABLE) ON ELECTRICAL CONDUCTOR (SEE TABLE "A") BY SOLDERING, USING A GOOD GRADE OF RESIN CORE SOLDER OR AN APPROPRIATE COMPRESSION CRIMPER AS RECOMMENDED BY WINCO INC. (WARNING: SOLDER ONLY COPPER CONDUCTORS, DO NOT USE ACID CORE SOLDER!)
4. ASSEMBLE ITEMS ACCORDING TO THE EXPLODED VIEW AT THE LEFT SIDE OF PAGE
5. INSERT THE CONDUCTORS (WITH CONTACTS INSTALLED) INTO THE PROPER CAVITIES AS SHOWN ABOVE. CONNECTOR MUST SNAP INTO HOUSING, PULL ON WIRE TO ENSURE A POSITIVE LOCK. EMPTY CAVITY MUST HAVE A DUMMY CONTACT INSERTED.

| ITEM | DESCRIPTION | QTY |
|------|---------------------------------|-----|
| 1 | HANDLE | 2 |
| 2 | ANDERSON POWER PRODUCTS HOUSING | 3 |
| 3 | RHMS | 2 |
| 4 | FLANGE NUT | 2 |
| 5 | WIRE CONTACT | 6 |
| 6 | BUSHING (IF APPLICABLE) | 6 |

INSTRUCTION SHEET

91861-101

WIRING DIAGRAM

