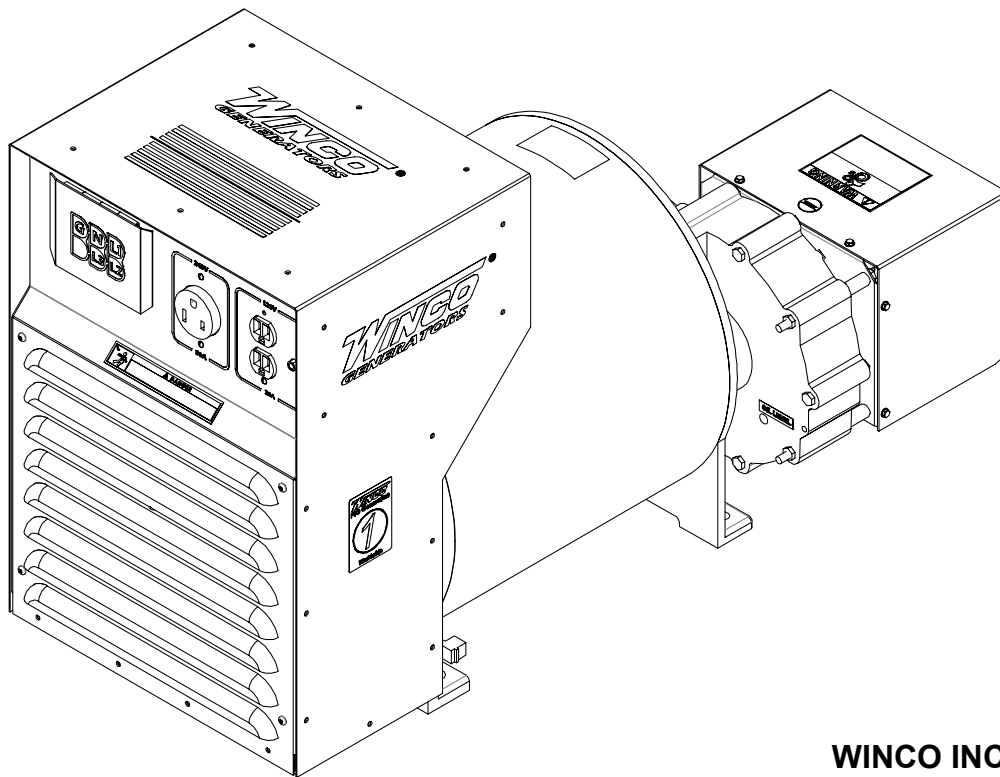


WINCO[®] INC

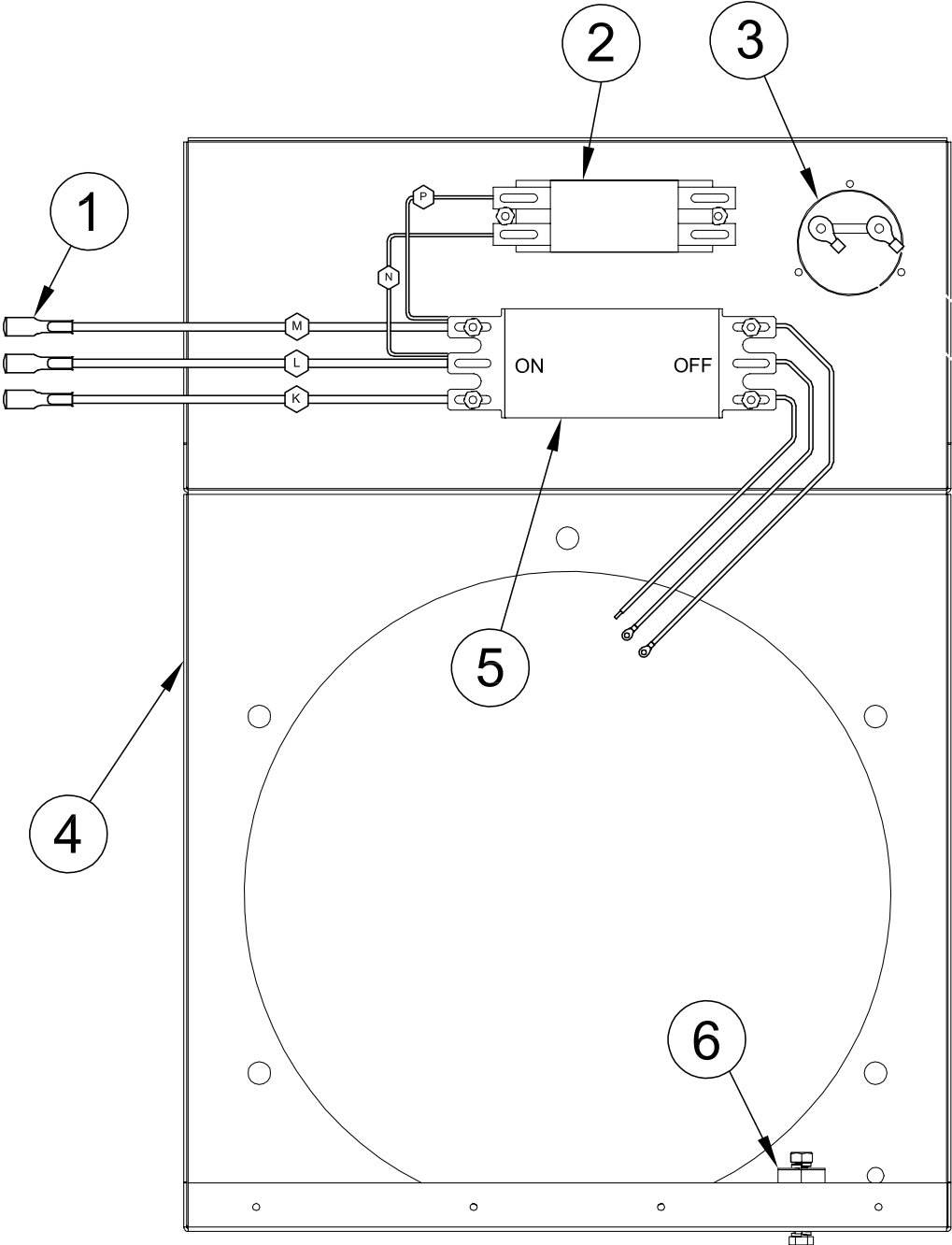
ILLUSTRATED PARTS LIST

45PTOC-17/E 45FPTOC-17/E



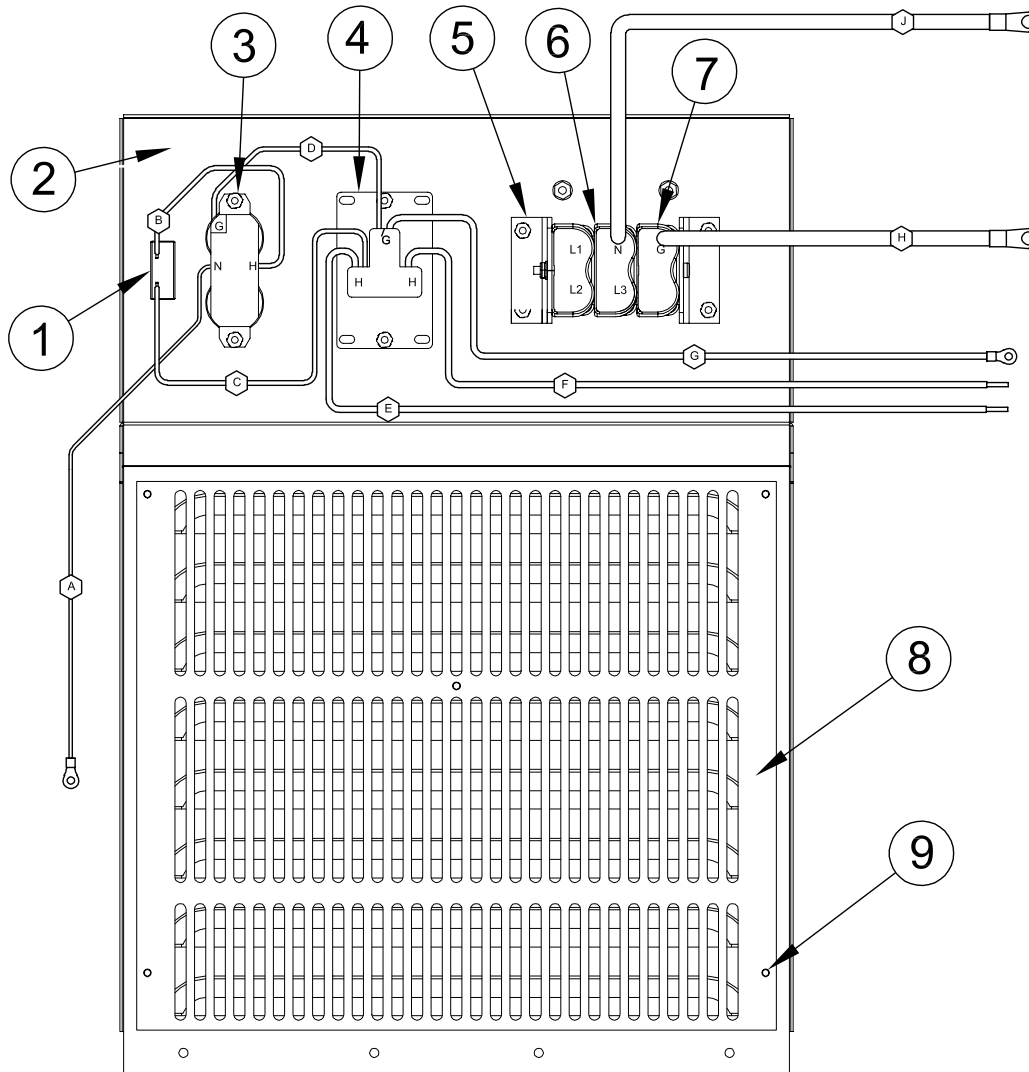
**WINCO INC.
225 S. CORDOVA AVE.
LECENTER, MN 56057
507-357-6821
SERVICE DEPT.
507-357-6831
www.wincogen.com**

BREAKER PANEL ASSEMBLY



REF #	PART NUMBER	QTY	DESCRIPTION
1	EE23283	3	# 6 AWG Contact
2	57030-000	1	50A 2-Pole Circuit Breaker
3	91370-000	1	Voltmeter
4	91371-002S	1	Circuit Breaker Panel
5	82584-004	1	100A 3-Pole Circuit Breaker
6	94378-000	1	Stand-Off Insulator

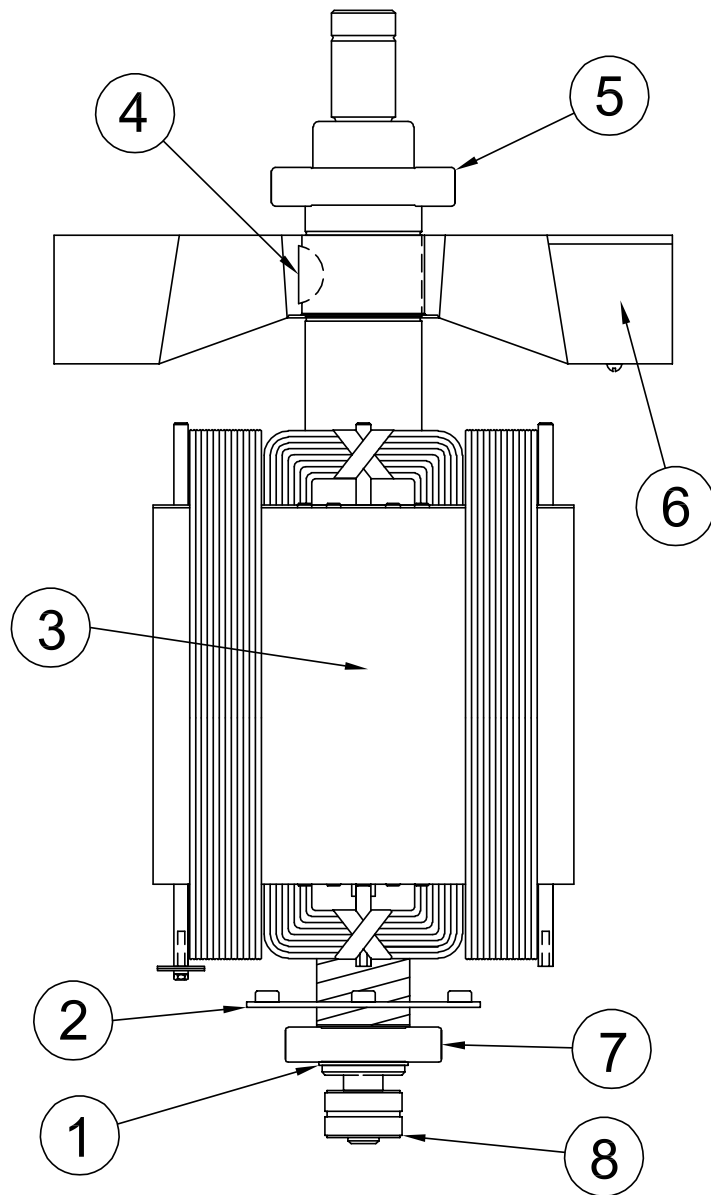
RECEPTACLE PANEL ASSEMBLY



REF #	PART NUMBER	QTY	DESCRIPTION
1	91286-001	1	20A 1-Pole Circuit Breaker
2	98380-002S	1*	Receptacle Panel
3	50766-000	1	NEMA 5-20R Receptacle
4	57325-000	1	NEMA 6-50R Receptacle
5	300117-1	2	Connector Support
6	EE2327	3	175A Housing
7	EE23283	2	# 6 AWG Contact
8	91246-005	1*	Panel Screen
9	21698-001	5	# 10 Torx Screw
NI	G72136	1	Receptacle Cover Assembly
NI	Not Illustrated		

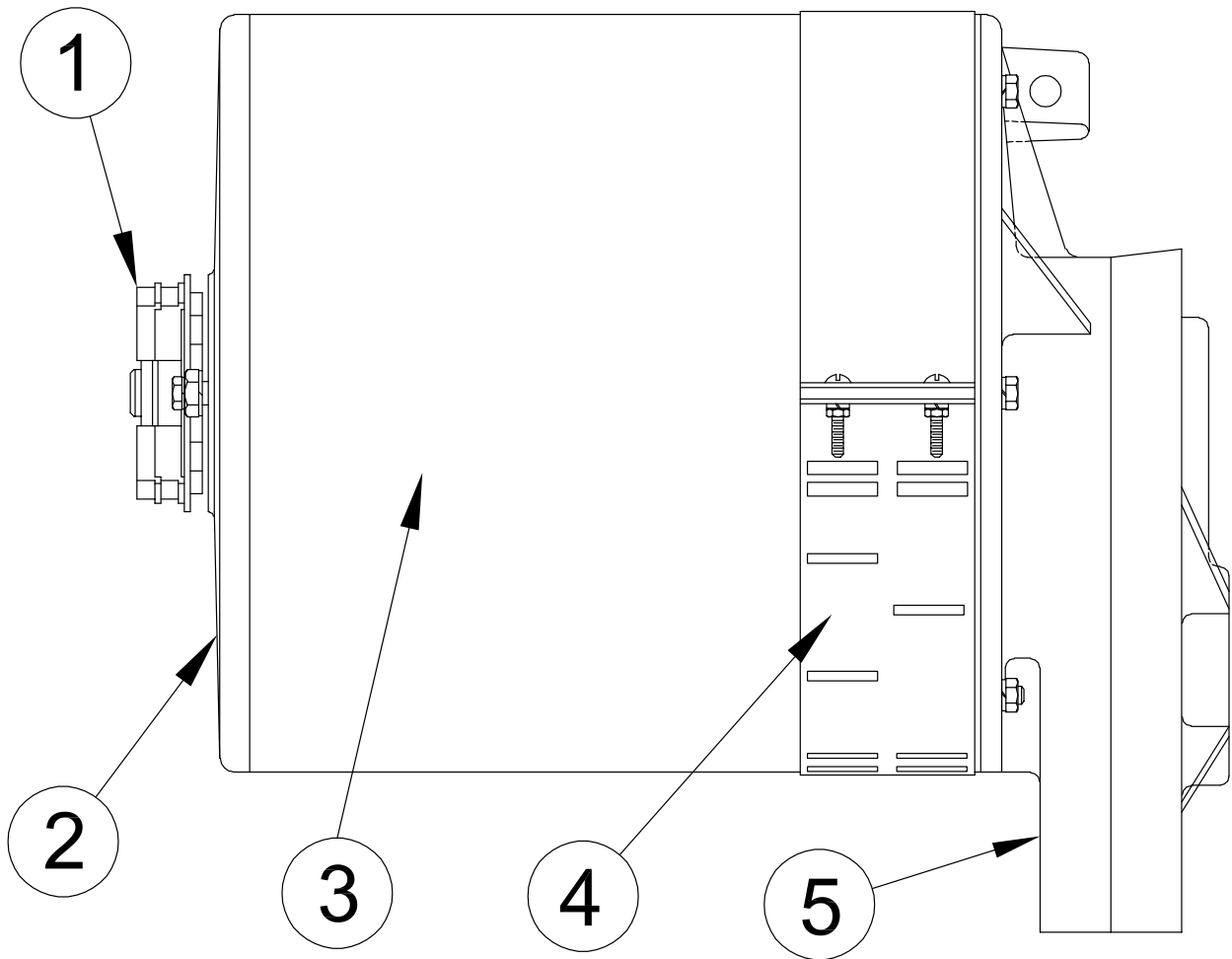
* Early versions had this screen. Later versions had the mesh screen as part of the Receptacle Panel.

COMPLETE ROTOR ASSEMBLY



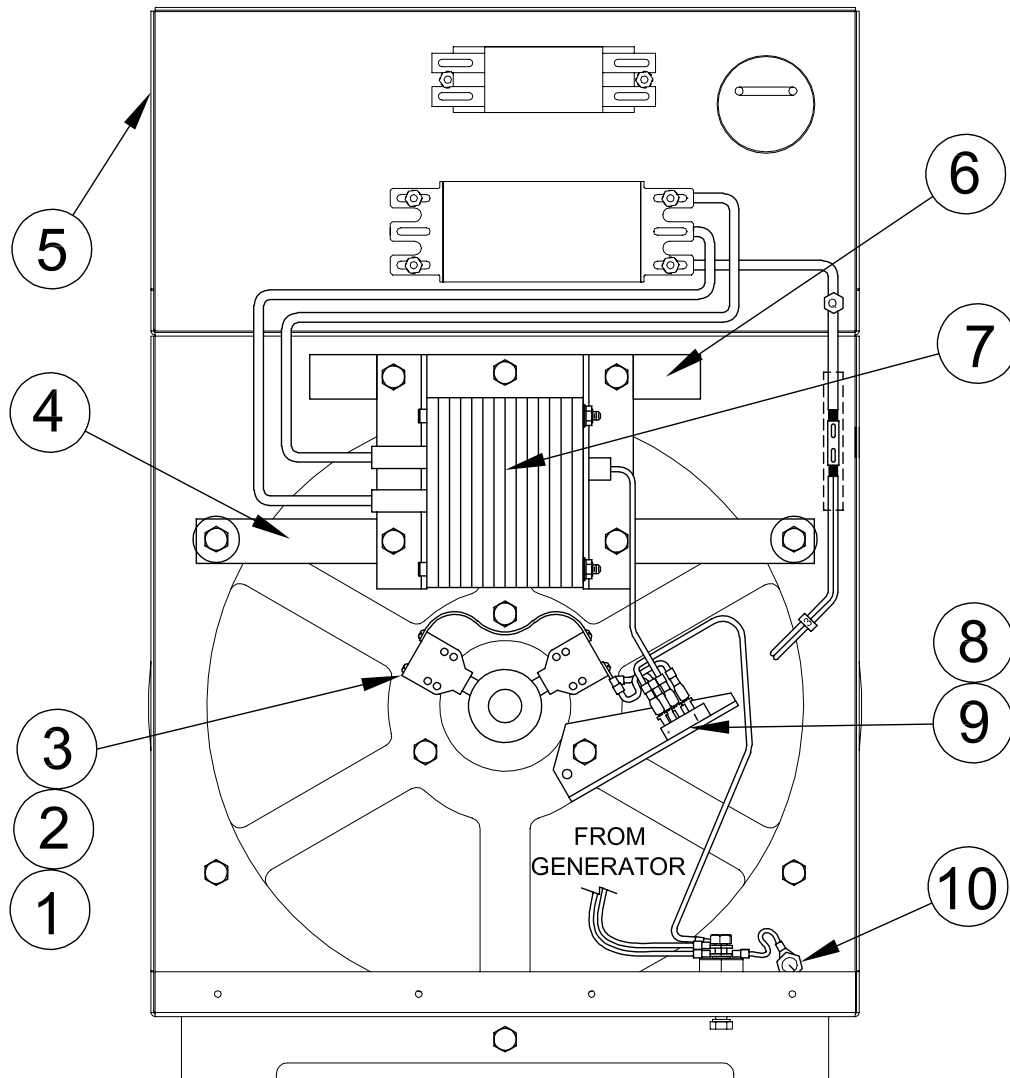
REF #	PART NUMBER	QTY	DESCRIPTION
1	91238-000	1	Retaining Ring
2	91196-000	1	Retainer Ring Assembly
3	91237-000	1	Complete Rotor Assy. Includes Bearings & Fan
4	91158-000	1	Woodruff Key
5	91112-000	1	Bearing
6	91101-000	1	Impellor (Fan)
7	91111-000	1	Bearing
8	55088-000	1	Slip Rings
NI	91136-000	2	Retainer Ring for Fan
NI	Not Illustrated		

STATOR & GEAR CASE ASSEMBLY



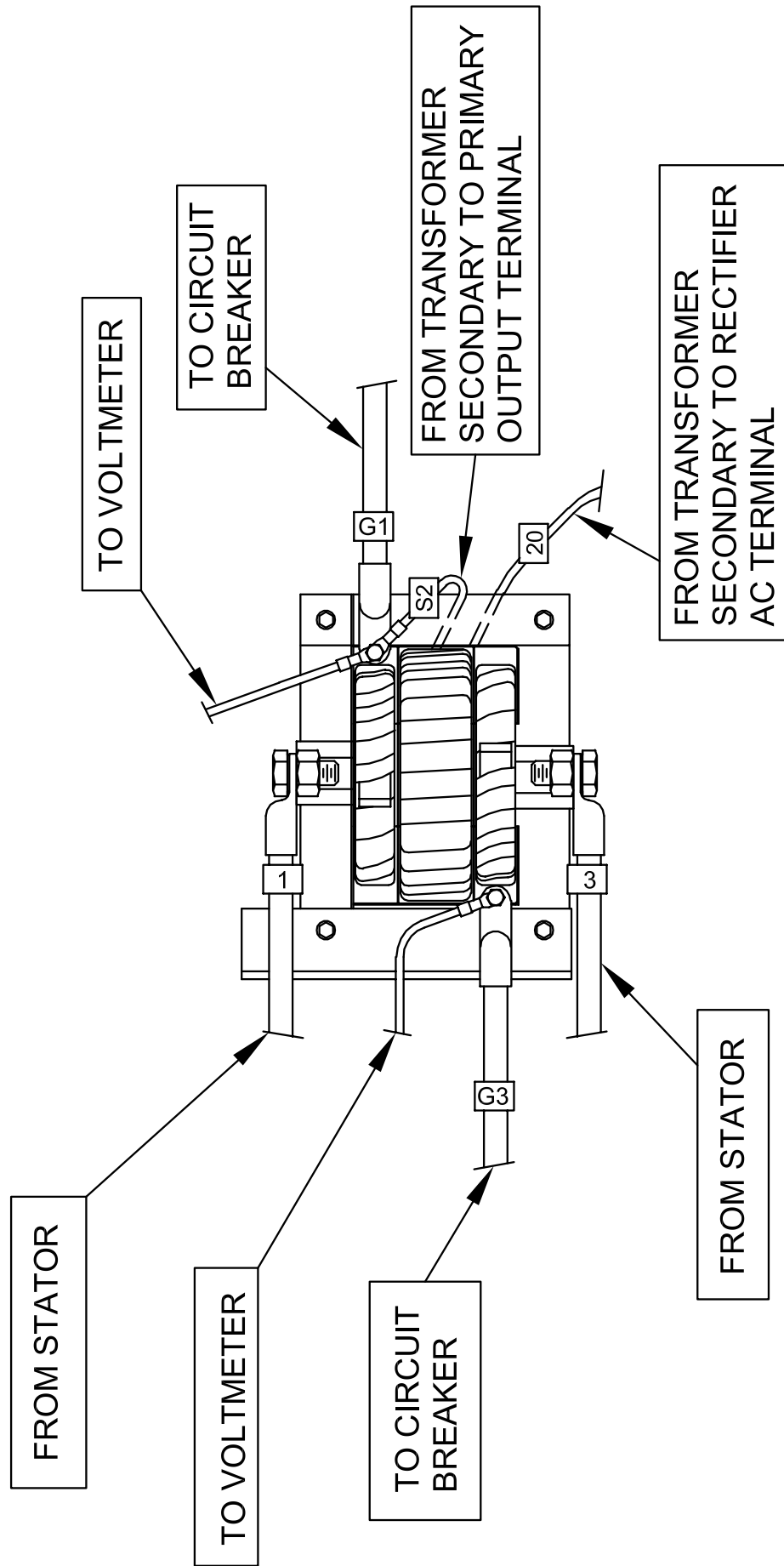
REF #	PART NUMBER	QTY	DESCRIPTION
1	91251-000	1	Brush Holder Assembly
2	91212-000	1	End Bracket
3	91148-001	1	Complete Stator Assembly
4	91337-000	1	Cooling Air Screen
5	Reference	1	Gear Box Assembly
NI	91137-000	1	Eye Bolt
NI	Not Illustrated		

TRANSFORMER ASSEMBLY

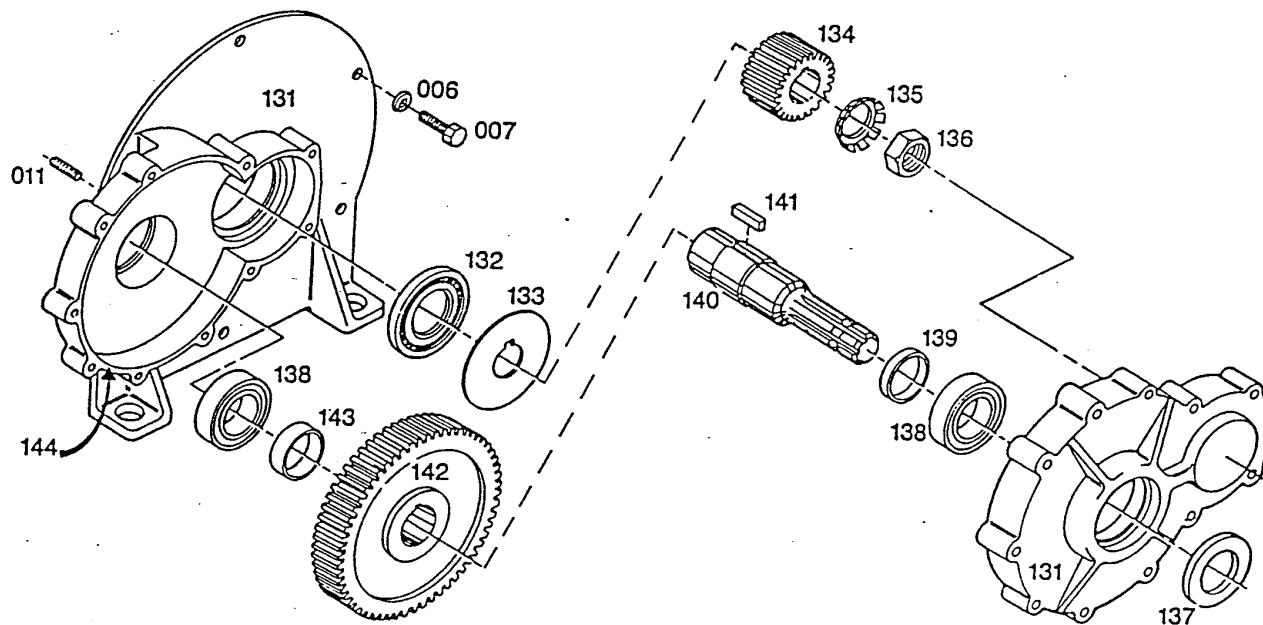


REF #	PART NUMBER	QTY	DESCRIPTION
1	23607-000	4	AC Brush
2	59690-000	4	AC Brush Holder
3	41378-013	2	Copper Strap
4	91242-000	1	Strap
5	91174-402	1	Cover
6	91243-000	1	Strap
7	91187-000	1	Transformer
8	91179-000	1	Bracket
9	91452-000	1	Bridge Rectifier
10	48043-000	1	Ground Lug
NI	15750-001	1	Ground Decal
NI	Not Illustrated		

TRANSFORMER CONNECTIONS

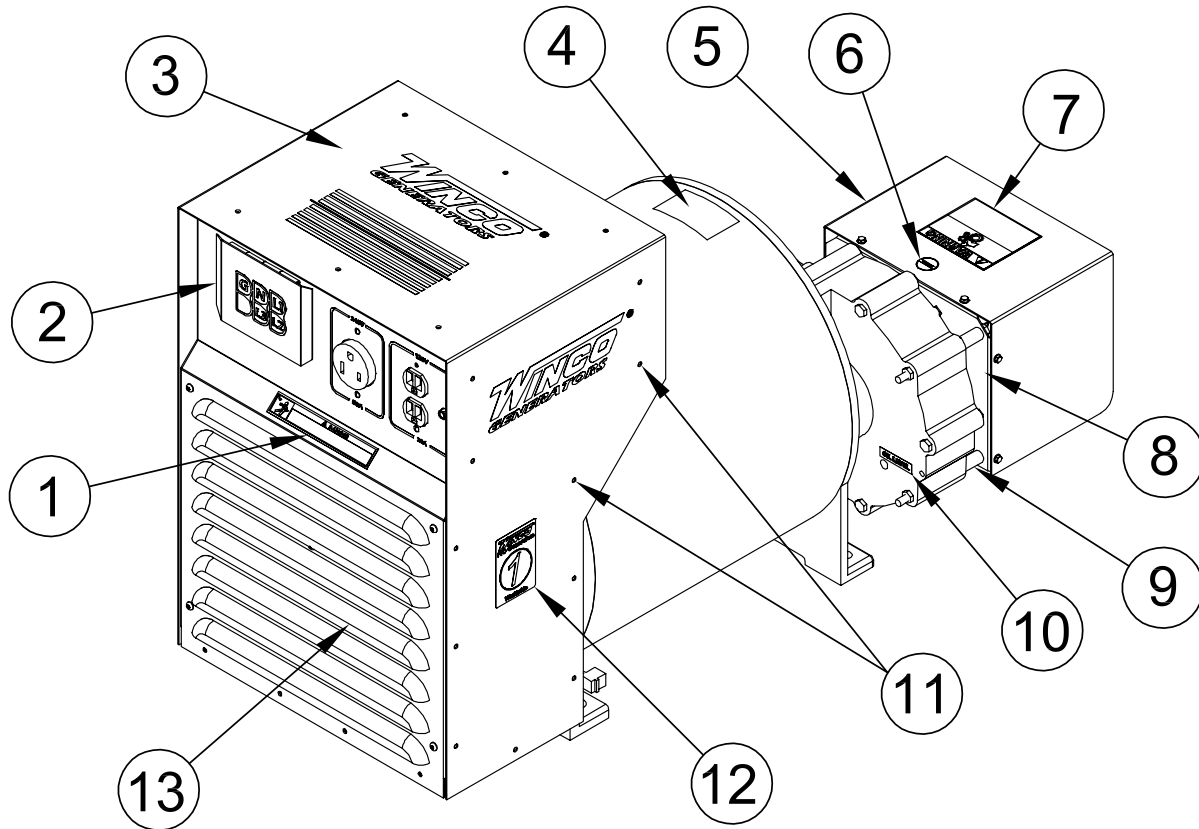


GEAR BOX ASSEMBLY



REF #	PART #	QTY	DESCRIPTION
006	90570-000	4	Lock Washer
007	91256-000	4	Cap Screw
011	91138-000	2	Stud
131	91103-400	1	Support & Cover
132	91116-000	1	Seal (Rotor Shaft)
133	91345-000	1	Slinger
134	91224-000	1	Gear (1000 rpm pinion)
134	91225-000	1	Gear (540 rpm pinion)
135	50531-000	1	Lock Washer
136	50532-000	1	Nut
137	91247-000	1	Seal (Cover)
138	91111-000	2	Bearing
139	91108-001	1	Spacer (Front)
140	91344-000	1	Shaft
141	91117-000	1	Key
142	91248-000	1	Gear (1000 rpm input)
142	91118-000	1	Gear (540 rpm input)
143	91108-002	1	Spacer (Rear)
144	91104-000	1	Gasket
NI	40716-000	1	Breather
NI	Not Illustrated		

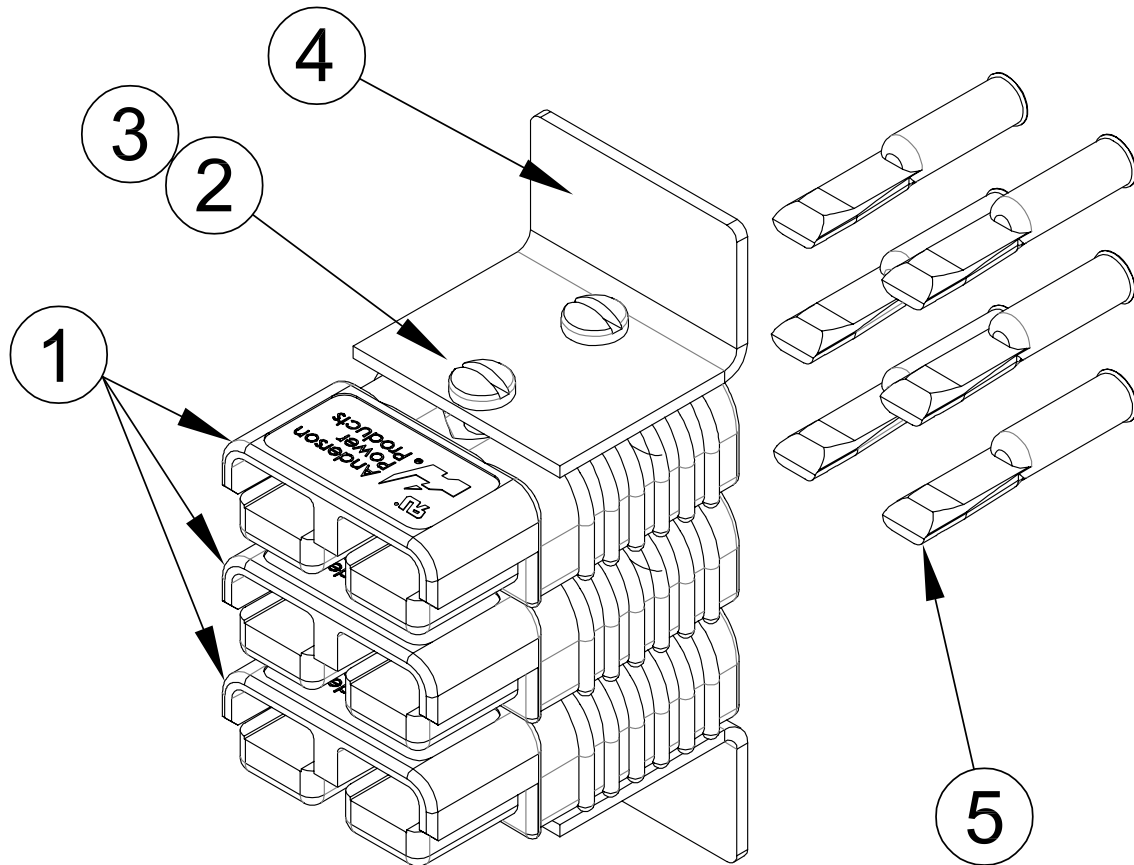
COMPLETE UNIT ASSEMBLY



REF #	PART NUMBER	QTY	DESCRIPTION
1	15209-003	1	Electric Shock Decal
2	G72136	1	Hinged Cover
3	91174-402	1	Cover
4	91369-000	1	540 RPM Decal
5	91171-000	1	Shield
6	52077-000	1	Oil Level Decal
7	64515-000	1	PTO Warning Decal
8	91170-000	1	Shield Bracket
9	62825-004	4	Spacer
10	16303-000	1	Oil Level Decal
11	21698-001	Ref	# 10 Torx Screw
12	98479-000	2	Winco # 1 Decal
13	98380-002S	1	Receptacle Panel
NI	40716-000	1	Breather
NI	643-000	1	3/8" Pipe Plug
NI	91369-001	1	1000 RPM Decal
NI	644-000	1	1/8" Pipe Plug
NI	Not Illustrated		

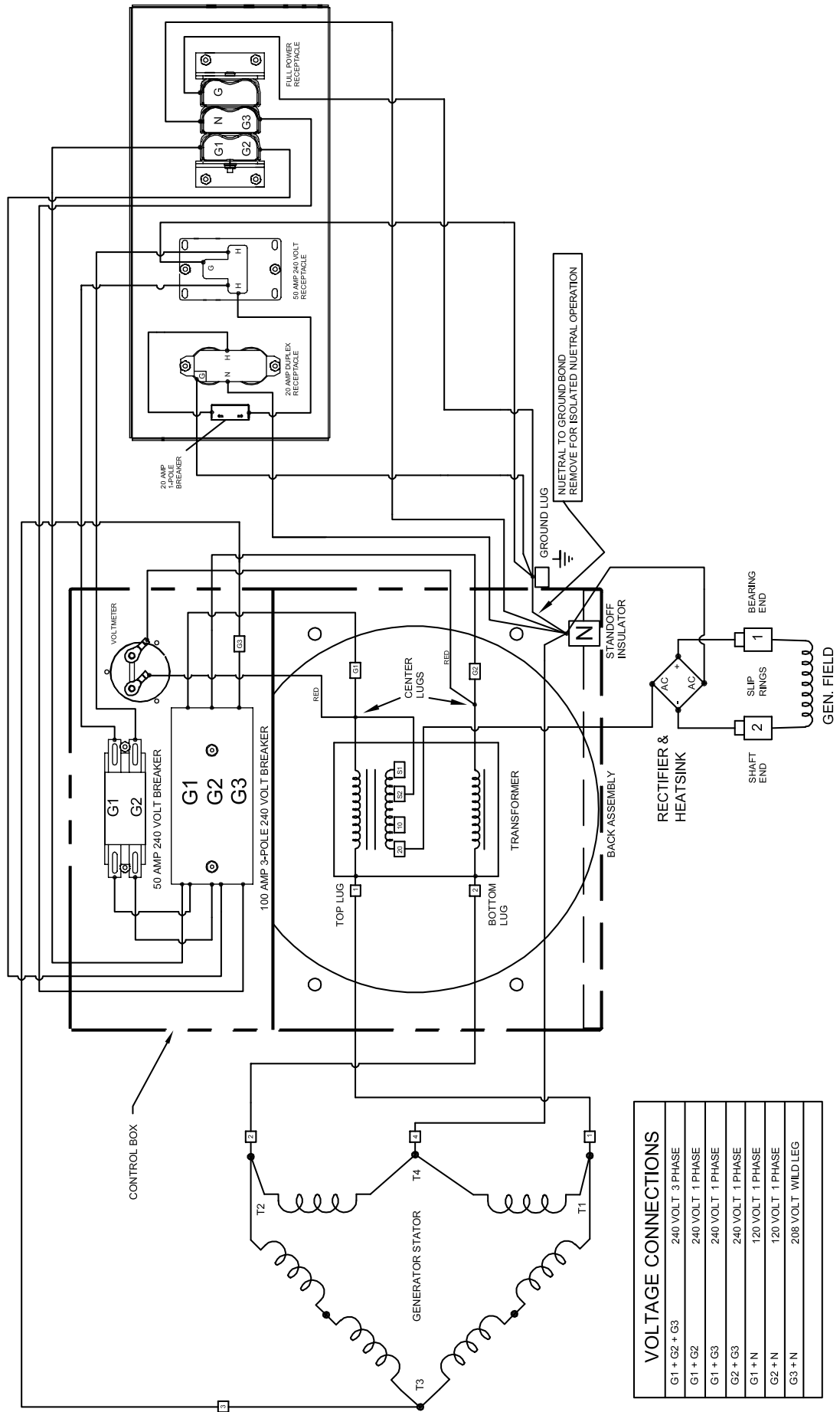
PLUG KIT ASSEMBLY

PLUG KIT 91861-002



REF #	PART NUMBER	QTY	DESCRIPTION
1	EE2327	3	175A Housing
2	61993-001	2	1/4"-20 X 3.5" Bolt
3	16248-000	2	1/4"-20 Flange Nut
4	300118-1	2	Handle
5	EE23283	6	# 6 AWG Contact

WIRING DIAGRAM



VOLTAGE CONNECTIONS	
G1 + G2 + G3	240 VOLT 3 PHASE
G1 + G2	240 VOLT 1 PHASE
G1 + G3	240 VOLT 1 PHASE
G2 + G3	240 VOLT 1 PHASE
G1 + N	120 VOLT 1 PHASE
G2 + N	120 VOLT 1 PHASE
G3 + N	208 VOLT WILD LEG

