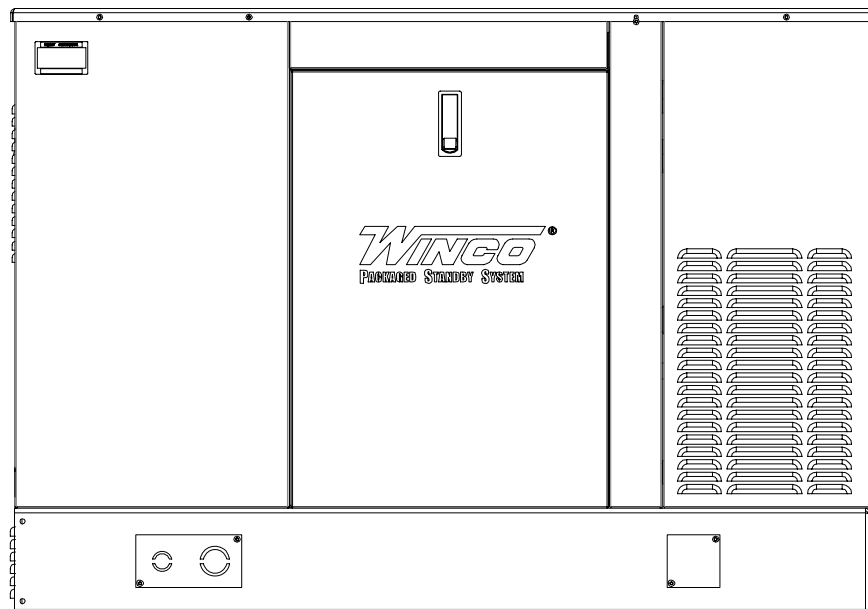


WINGO INC[®]

*A Division of **DTE** Dyna Technology Inc*

ILLUSTRATED PARTS LIST

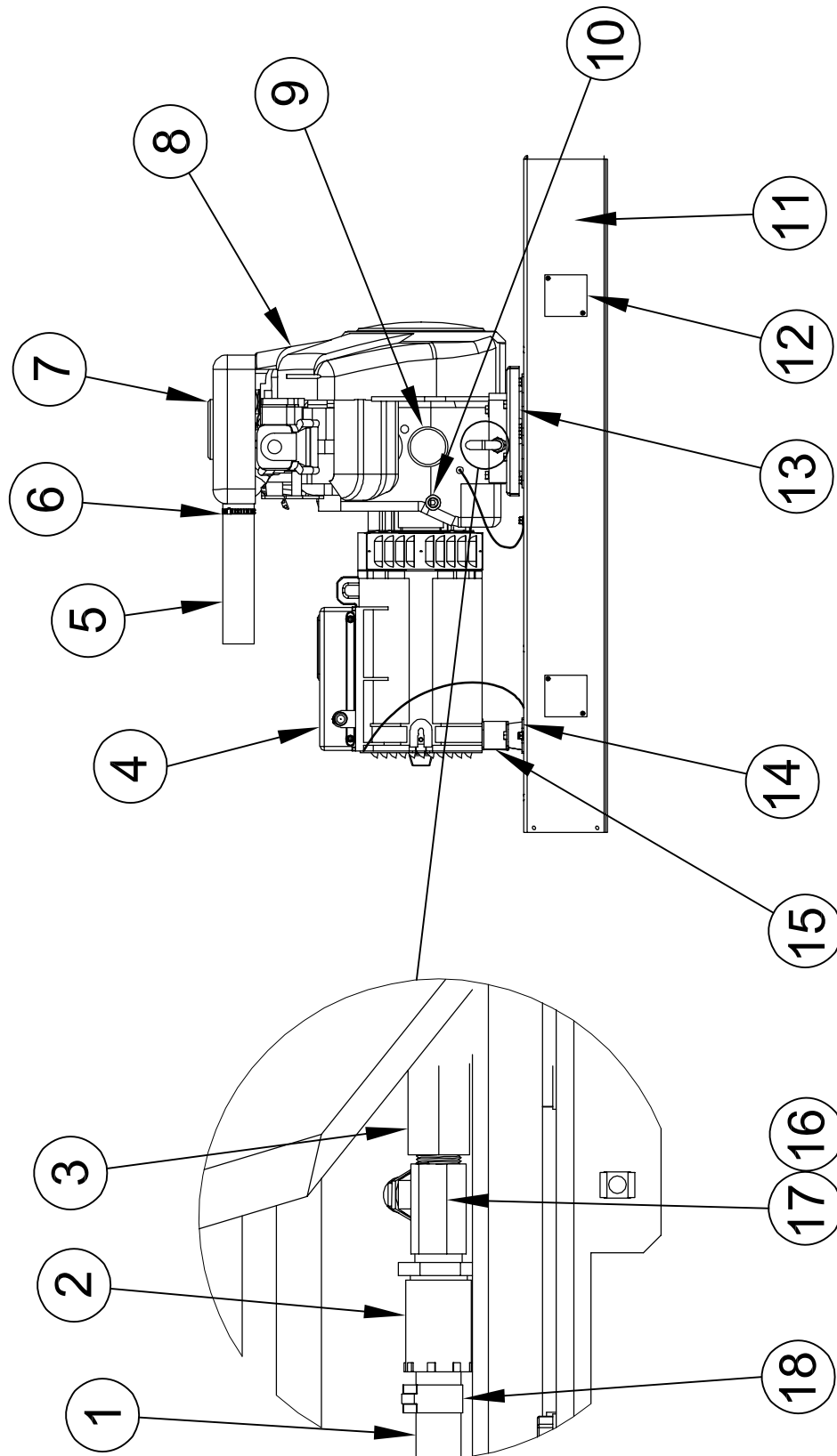
ULPSS15B4W/E ULPSS15B2W/E



WINGO INC[®]
*A Division of **DTE** Dyna Technology Inc*

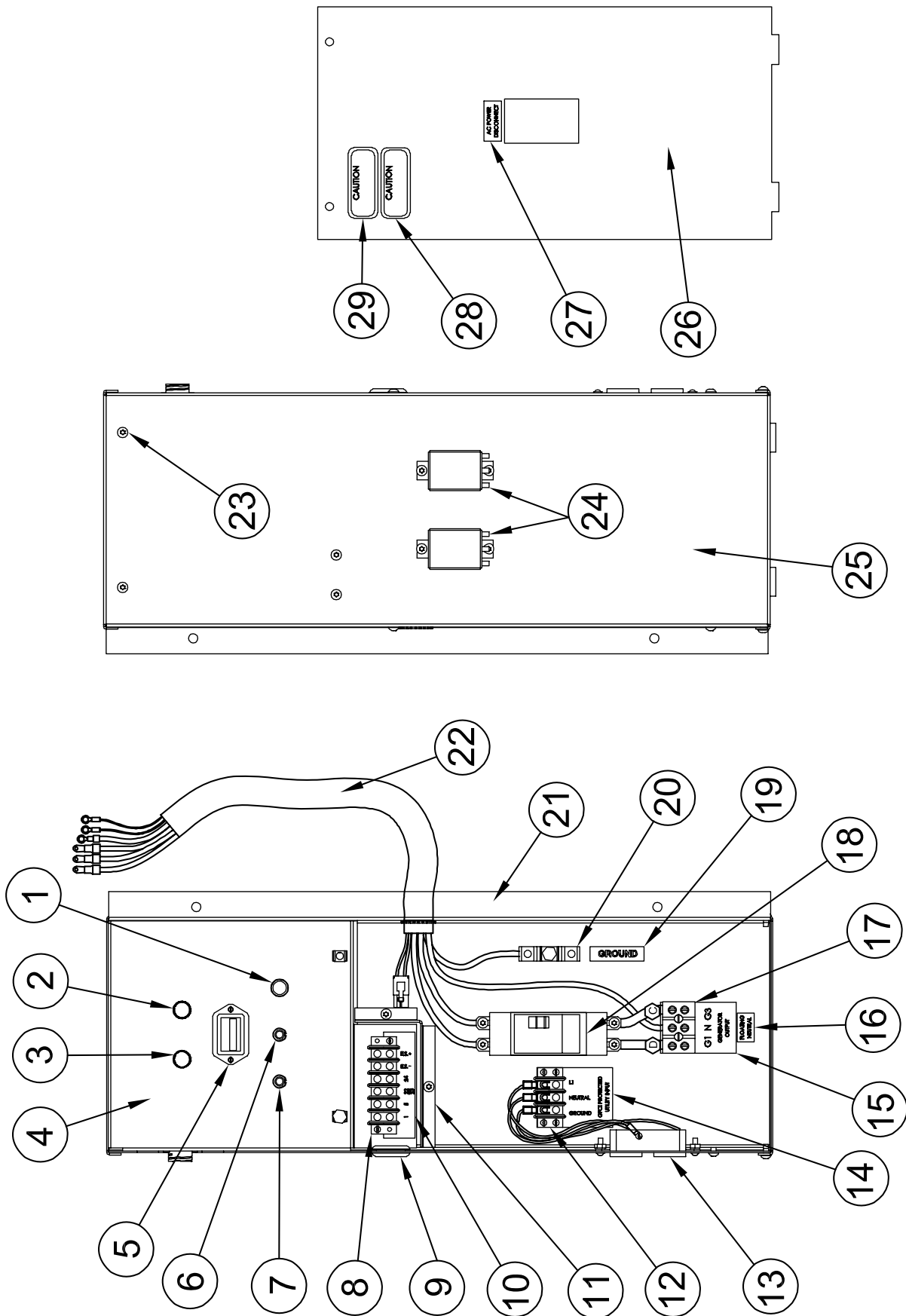
**225 S. CORDOVA AVE.
LECENTER, MN 56057
507-357-6821
SERVICE DEPT.
507-357-6831**

ENGINE / GENERATOR ASSEMBLY



REF #	PART NUMBER	QTY	DESCRIPTION
1	62286-000	1 FT	½" Hose
2	300349	1	Oil Drain Valve
3	300349-1	1	Oil Drain Adapter
4	16428-002	1	Generator, Mecc Alte Spa Model: S20F-230/A
5	16481-000	10"	2" Hose
6	81018-002	1	Hose Clamp
7	841497	1*	Air Filter
8	16427-002	1	Engine, Briggs & Stratton Model: 543277-0078-E1
9	842921	1*	Oil Filter
10	841281	1*	Oil Pressure Switch
11	16406-004	1	Base
12	300385-2	4	Lifting Hole Cover
13	16411-006	1	Engine Support Tray
14	98807-000	6	Shock Mounts
15	16335-005	1	Generator Support
16	15808-000	1	High Temperature Switch
17	56348-000	1	Reducer
18	62999-004	1	Hose Clamp
NI	491055	2*	Spark Plug
NI	15144-014	1	Engine Baffle
NI	62912-001	17 FT	7/8" Foam Strip
NI	Not Illustrated		
	* Briggs & Stratton Part #		

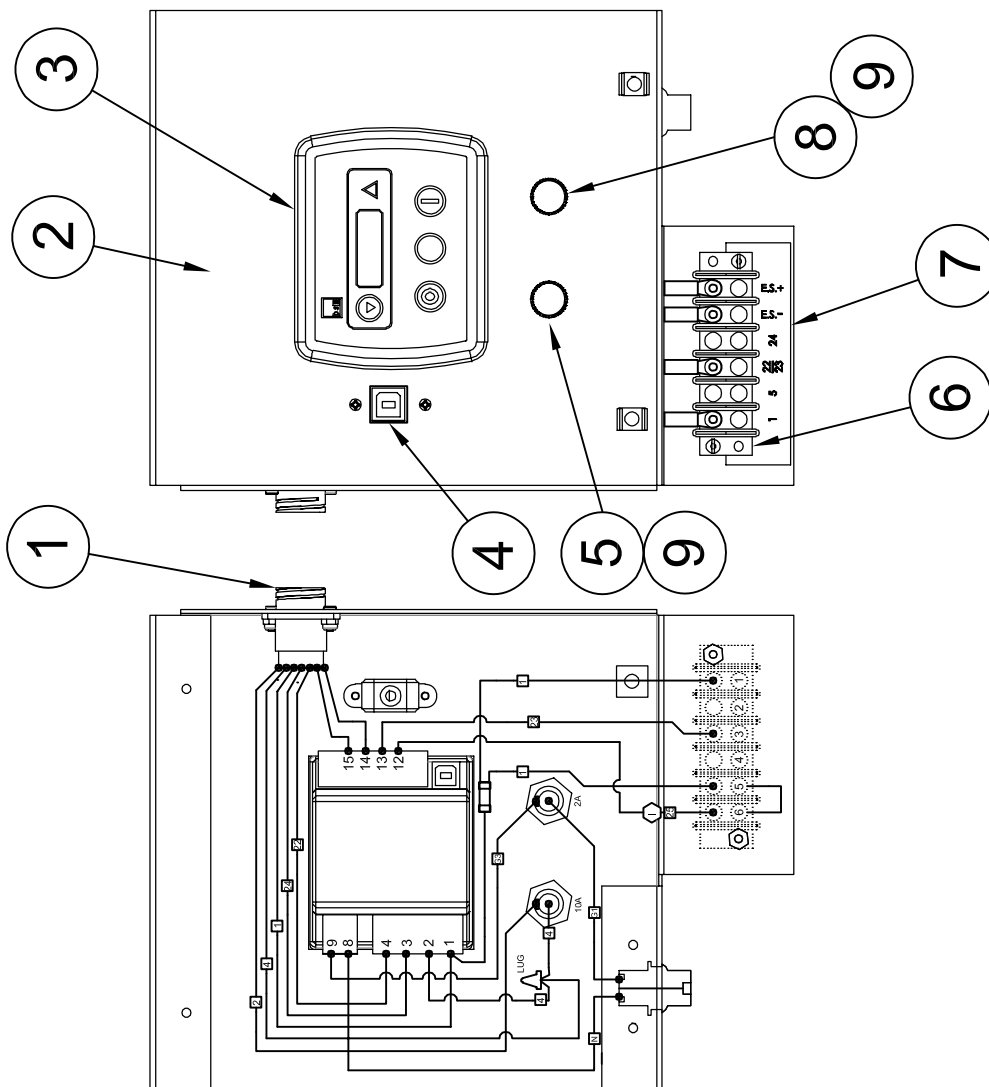
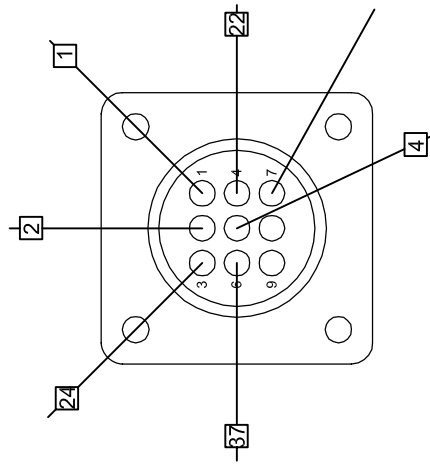
CONTROL TOWER ASSEMBLY



REF #	PART NUMBER	QTY	DESCRIPTION
1	64897-001	1	Indicator Light
2	95064-006	1	10 Amp Fuse
3	95064-008	1	2 Amp Fuse
4	15764-013	1	4-Wire Engine Control Assembly
5	58166-006	1	Running Time Meter
6	95894-001	1	Toggle Switch (on) - on - off
7	71215-002	1	Toggle Switch on - none - on
8	80623-000	1	6 Point Terminal Block
9	23917-000	1	Grommet
10	64576-018	1	Remote Start Decal
11	300309-3	1	DC Box
12	80623-005	1	3 Point Terminal Block
13	24749-000	1	NEMA 5-15R Receptacle
14	64576-006	1	GFCI Protected Decal
15	64576-005	1	Generator Output Decal
16	16501-000	1	Floating Neutral Decal
17	51795-000	1	3 Point Terminal Block
18	57030-005	1	60 Amp 2-Pole Circuit Breaker
19	15750-001	1	Ground Decal
20	48042-000	2	Ground Lug
21	15666-005S	1	MLCB Panel
22	9700-001	1	AC Lead-Wire Assembly
23	21698-001	20	Torx Screws
24	59944-002	2	SPDT Relay
25	15667-005S	1	Tower
26	15666-004S	1	MLCB Cover
27	16502-001	1	AC Power Disconnect Decal
28	16503-000	1	Copper Conductors Only Decal
29	63941-005	1	Circuit Energized Decal
NI	16287-000	1	Battery Tender
NI	300308-10	1	Battery Tender Hold-Down
NI	15757-026	1	DC Harness
NI	16454-001	1	Trans. Voltage Suppressor
NI	2489-001	2	Fuse Holder
NI	Not Illustrated		

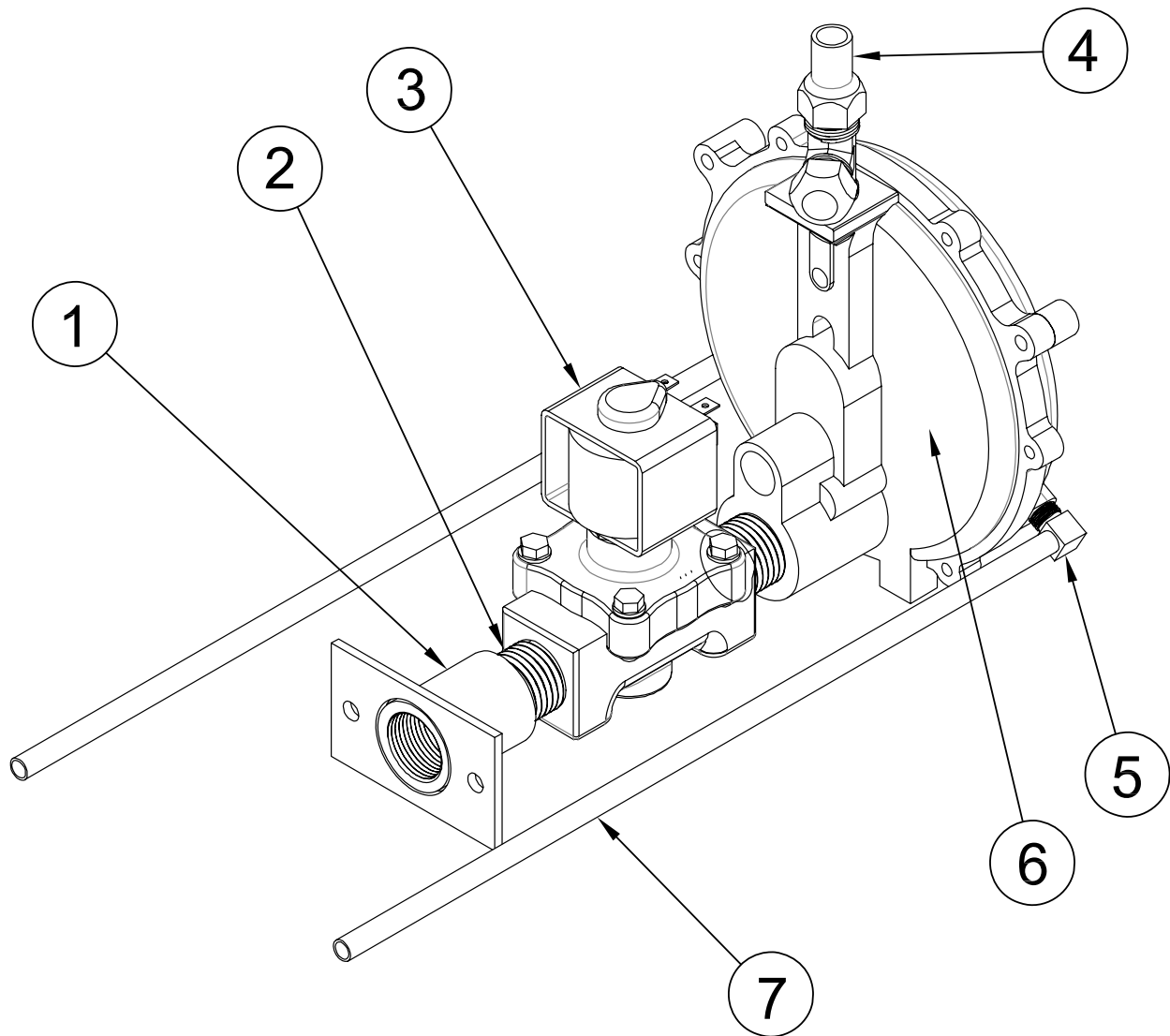
NOTE: 2-Wire Engine Control Assembly: 15764-009 This is used if the gen-set
Is converted to a 2-wire start generator.

2-WIRE CONTROLLER ASSEMBLY (15764-009)



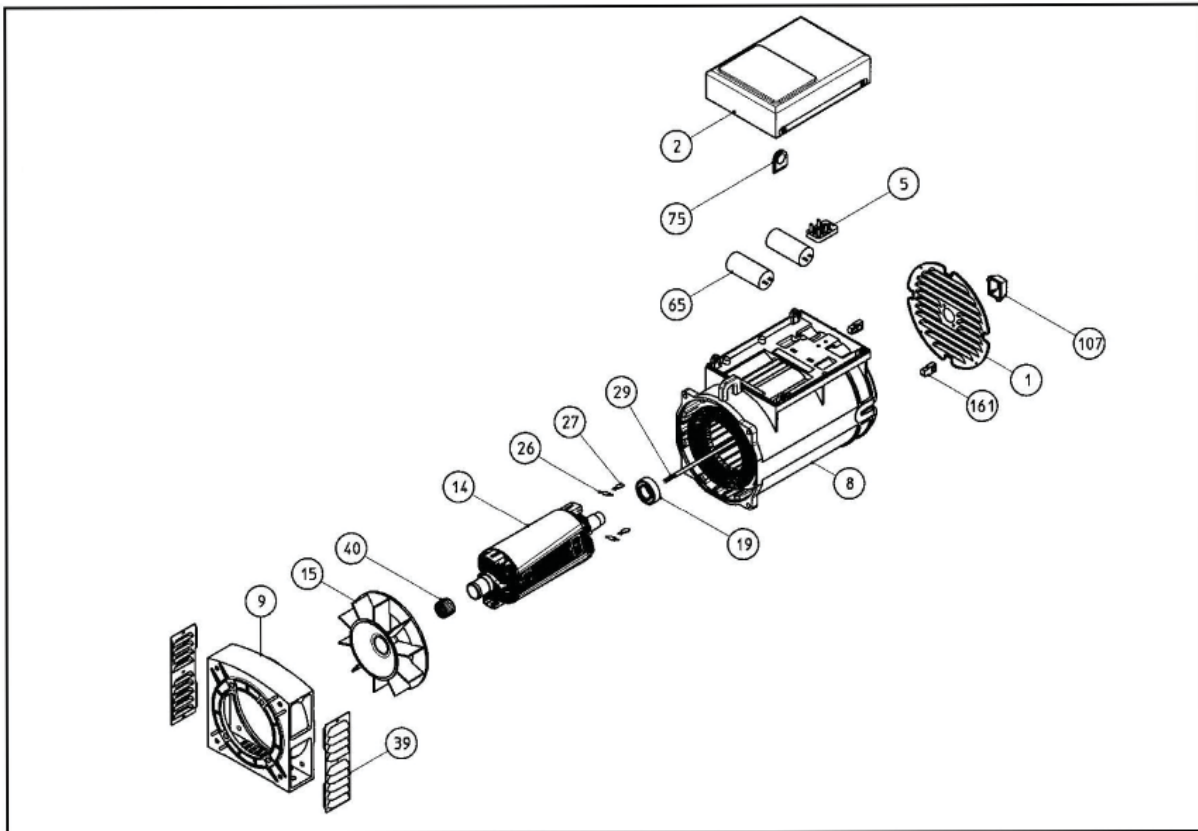
REF #	PART NUMBER	QTY	DESCRIPTION
1	96925-005	1	9 Pin Connector
2	15667-004	1	DSE Mount
3	351112-5	1	DSE 3110 Controller
4	92844-005	1	USB Cable
5	95064-008	1	2 Amp Fuse
6	80623-000	1	6 Point Terminal Block
7	64576-018	1	Remote Start Decal
8	95064-006	1	10 Amp Fuse
9	2489-001	2	Fuse Holder

VAPOR FUEL SYSTEM ASSEMBLY



REF #	PART NUMBER	QTY	DESCRIPTION
1	99085-008	1	Fuel Inlet Assembly
2	54074-006	2	3/4" Pipe Nipple
3	42942-000	1	Solenoid
4	732-618	1*	LP/NG Mixer w/40" Hose & Tee Fitting
5	81827-001	2	90° Hose Fitting
6	55559-002	1	Remand Regulator
7	40078-000	26"	1/4" Hose
NI	16447-015	1	Solenoid Harness
NI	97338-006	1	Fuel Changeover Decal
NI	Not Illustrated		
*	Briggs & Stratton accessory part #		

GENERATOR END ASSEMBLY

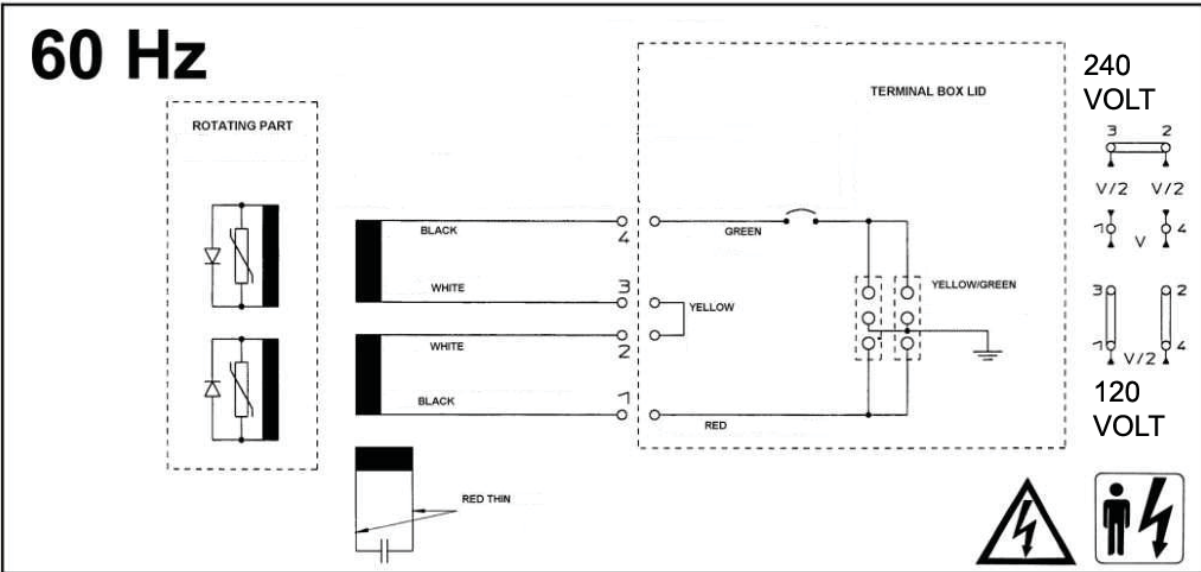


REF #	PART NUMBER	QTY	DESCRIPTION
	16428-002	1	Complete Generator End
19	54665-000	1	6205-2RS Bearing
26	300323-208	2	Varistor
27	300323-207	2	Diode
65	300323-112	1	31.5 mf 450 VAC Capacitor
65	300323-212	2	35 mf 450 VAC Capacitor

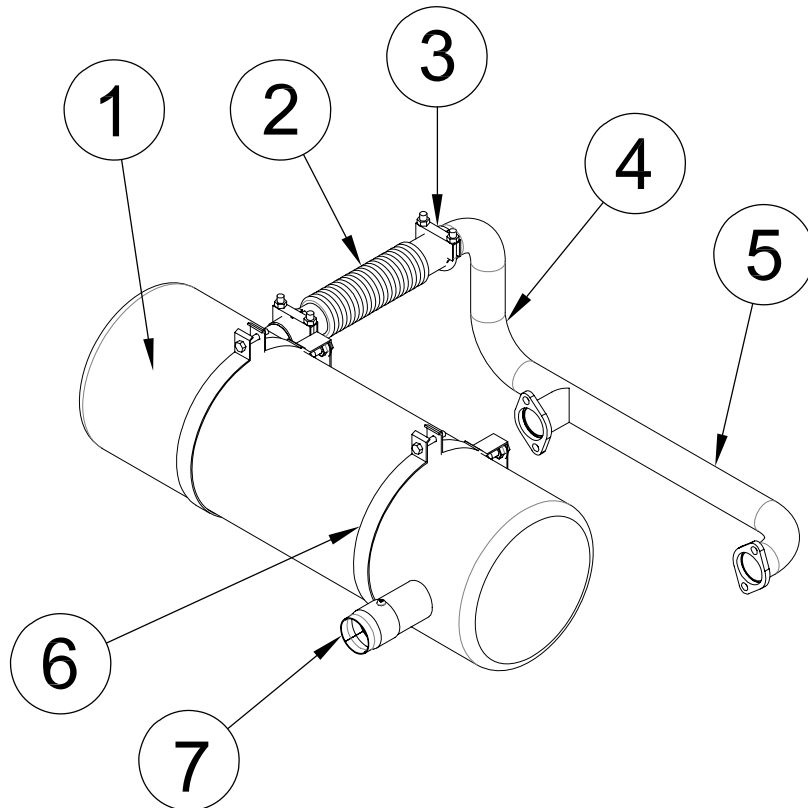
GENERATOR SPECIFICATIONS:

STATOR:	0.056 Ohms
ROTOR:	8.04 Ohms
CAPACITOR LEADS	0.41 Ohms

GENERATOR END SCHEMATIC



EXHAUST ASSEMBLY

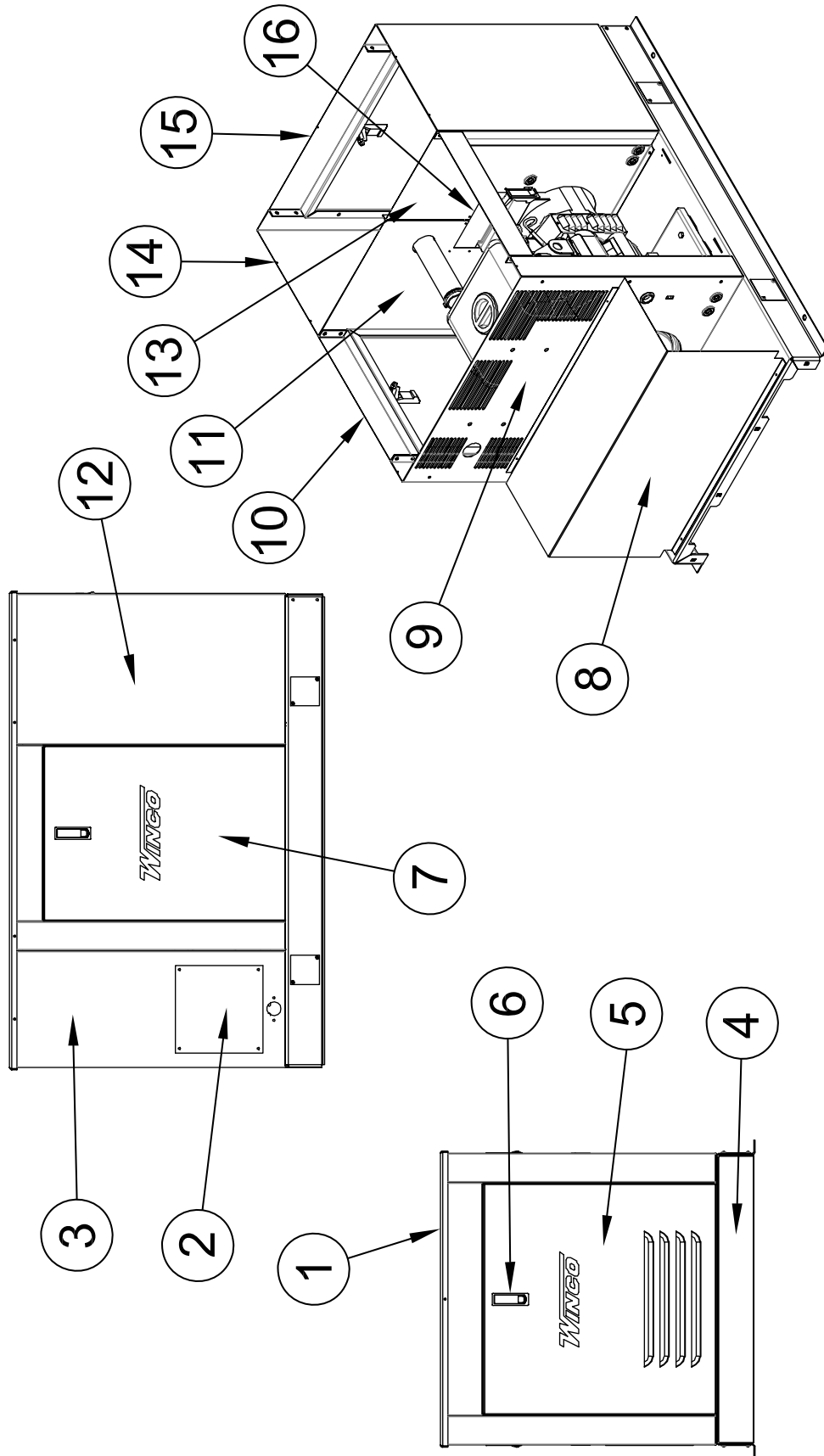


REF #	PART NUMBER	QTY	DESCRIPTION
1	350590-7	1	Muffler
2	16458-003	1	Exhaust Flex
3	93489-015	2	Exhaust Clamp
4	97274-000	16 FT	High Temperature Tape
5	16479-002	1	Exhaust Manifold
6	350264-19	2	Muffler Bracket
7	16237-002	1	Spark Arrestor

DECALS

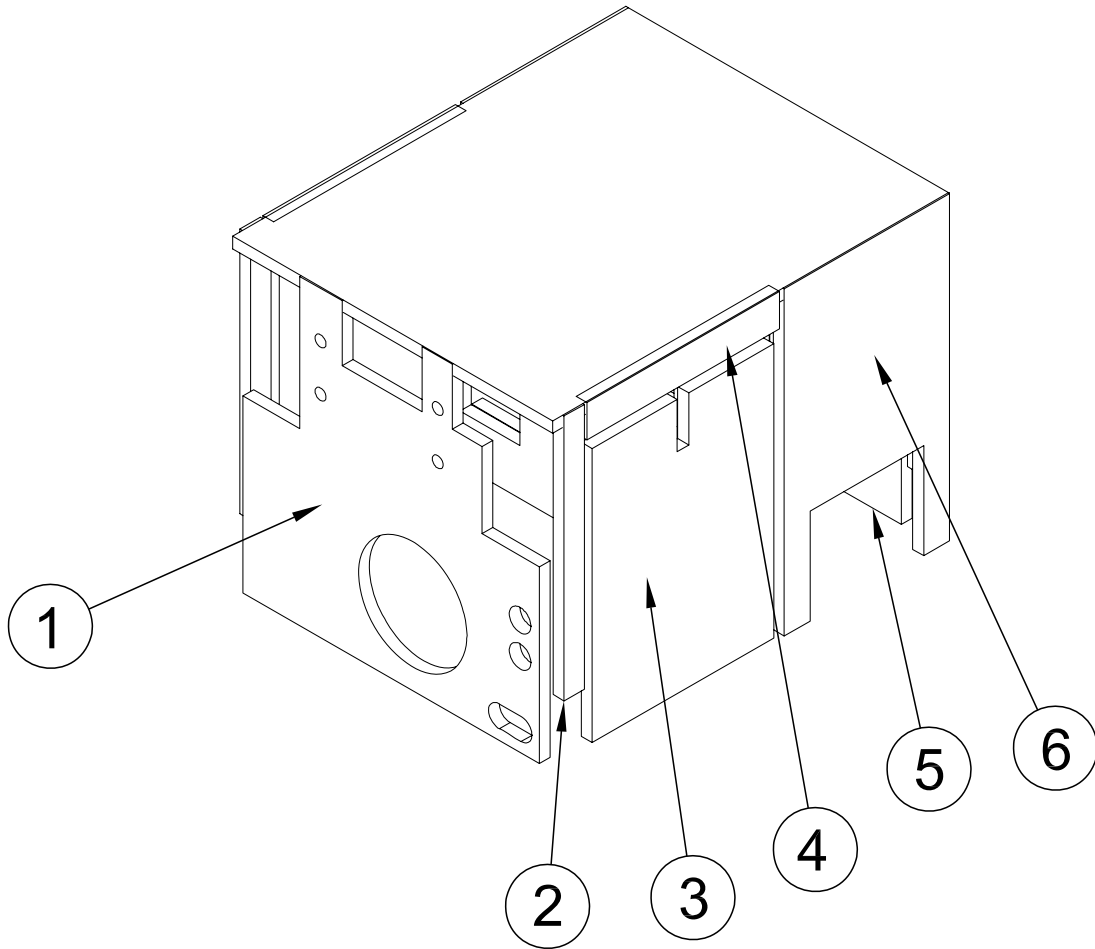
PART NUMBER	QTY	DESCRIPTION
15209-000	1	Decal Set
15209-100	1	Decal Set French
63941-001	3	Hot Surface Decal
63941-003	1	No Spark Warning Decal
63941-004	1	Fuse Warning Decal
97813-000	2	Auto Start Warning Decal
15849-000	1	CSA Standby Decal
64891-001	1	Electrical Code Decal
15210-010	1	UL Fuel System Decal
15209-004	1	Aluminum Inlet Decal
91708-000	1	RFI Spark Compliance Decal

HOUSING ASSEMBLY



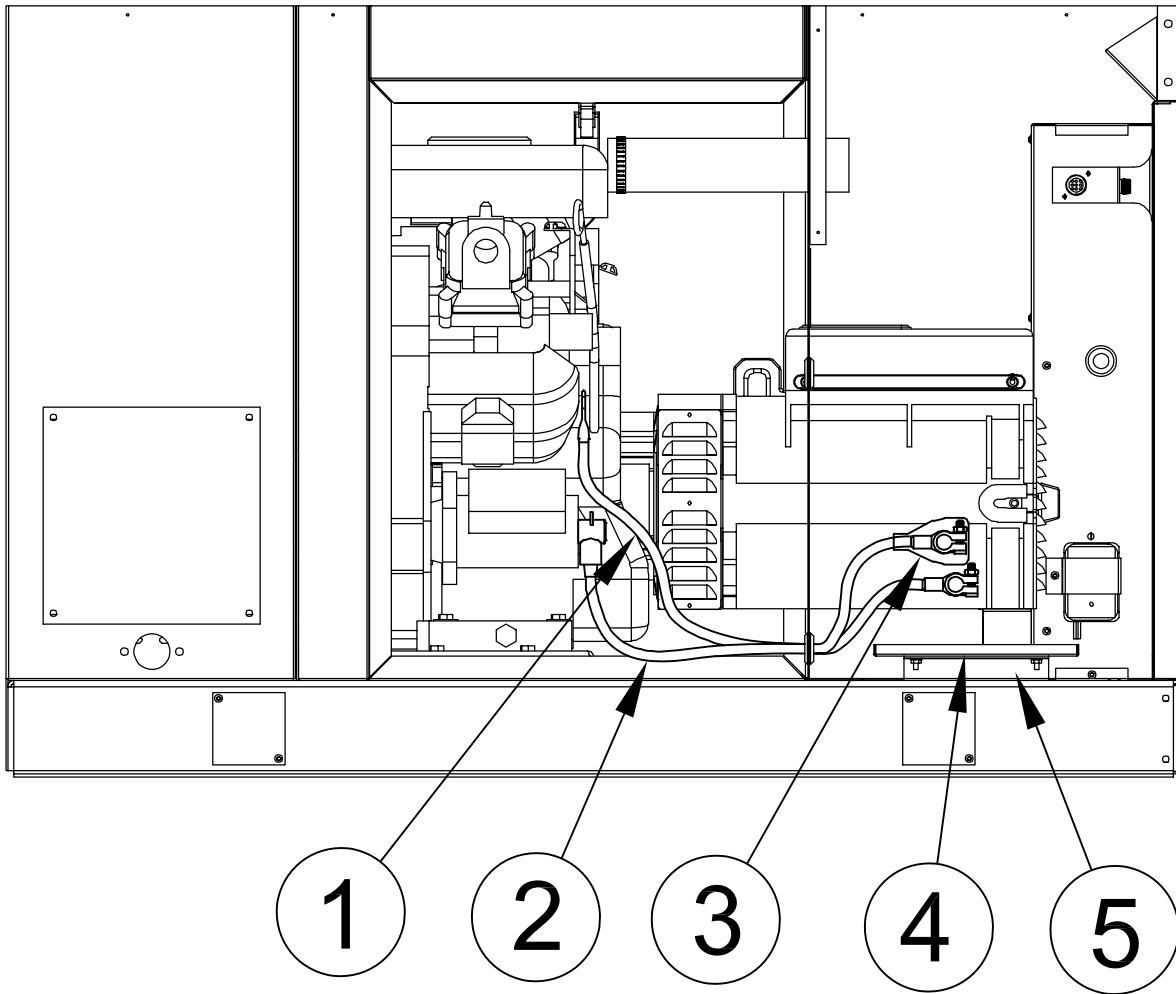
REF #	PART NUMBER	QTY	DESCRIPTION
1	16422-003S	1	Roof
2	16414-003S	1	Regulator Access Cover
3	16414-004	1	Front
4	15671-009S	1	Back Bottom
5	16360-028S	1	Rear Door
6	95229-005	3	Latch
7	16360-029S	2	Service Panel (Side Door)
8	16473-003S	1	Engine Cool Air Partition
9	16473-004	1	Front Divider
10	15681-017S	2	Side Sill
11	16417-003S	1	Right Generator Partition
12	16464-002S	1	Left Back Corner
13	16416-003S	1	Left Generator Partition
14	16464-001S	1	Right Back Corner
15	15681-015S	1	Rear Sill
16	64916-001S	1	Generator Top Plate
NI	23917-000	5	Grommet
NI	62486-000	2	Grommet
NI	21698-001	26	Torx Screw
NI	15287-001	2	Air Seal 15.5"
NI	16440-002S	1	Heater Control Cover Plate
NI	Not Illustrated		

FOAM PIECES



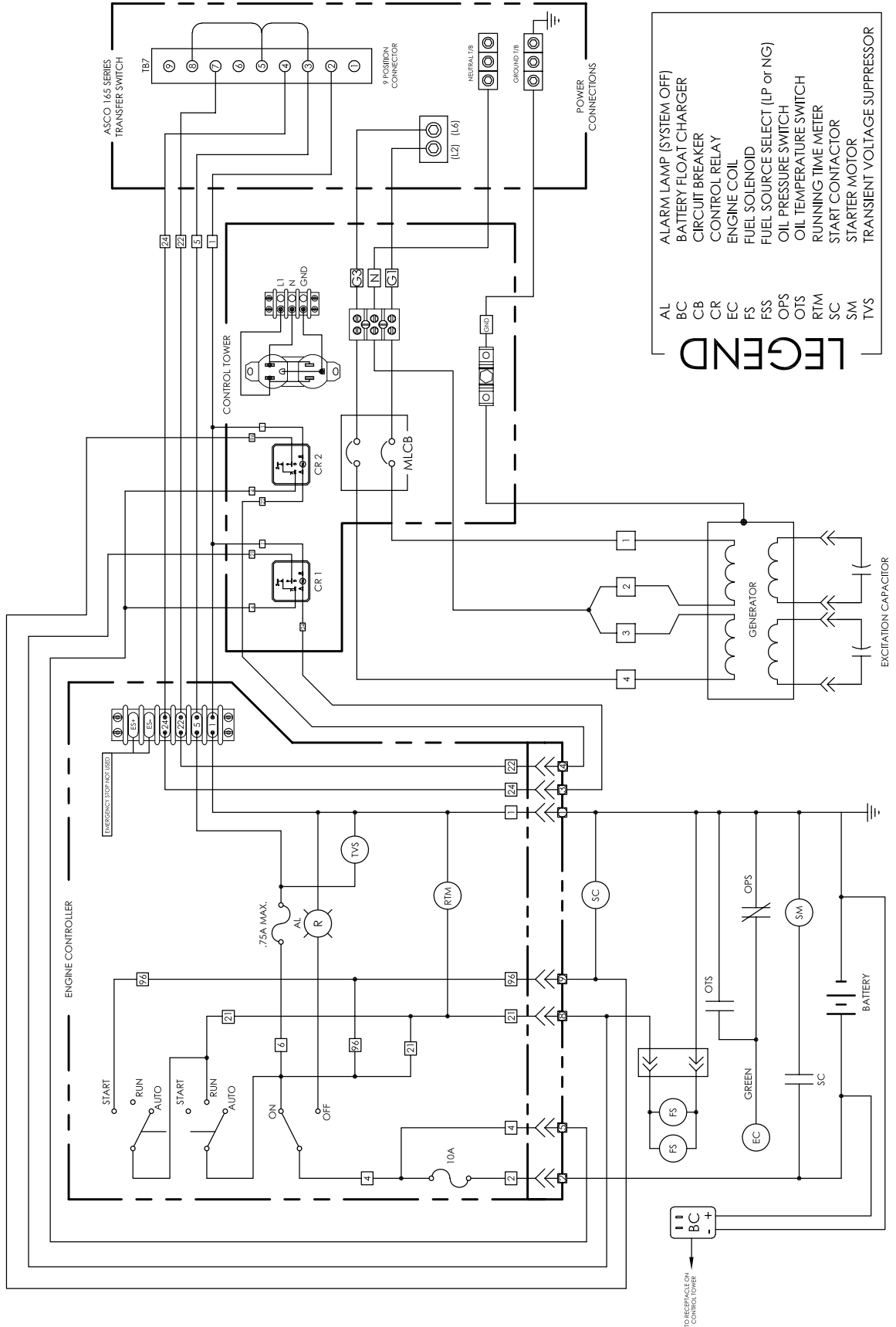
REF #	PART NUMBER	QTY	DESCRIPTION
1	99788-120S	1	Front Divider Foam
2	99788-115S	4	Corner Foam
3	99788-123S	2	Service Panel Foam
4	99788-122S	2	Side Sill Foam
5	99788-116S	1	Rear Door Foam
6	99788-113S	1	Back Left Corner Foam
NI	99788-114S	1	Back Right Corner Foam
NI	99788-111S	1	Left Generator Divider Foam
NI	99788-112S	1	Right Generator Divider Foam
NI	99788-118S	1	Right Generator Partition Foam
NI	99788-119S	1	Left Generator Partition Foam
NI	99788-121S	1	Roof Foam
NI	97291-006S	2	Reflective Foam
NI	97291-005S	1	Reflective Foam
NI	97291-004S	1	Reflective Foam
NI	Not Illustrated		

BATTERY ASSEMBLY

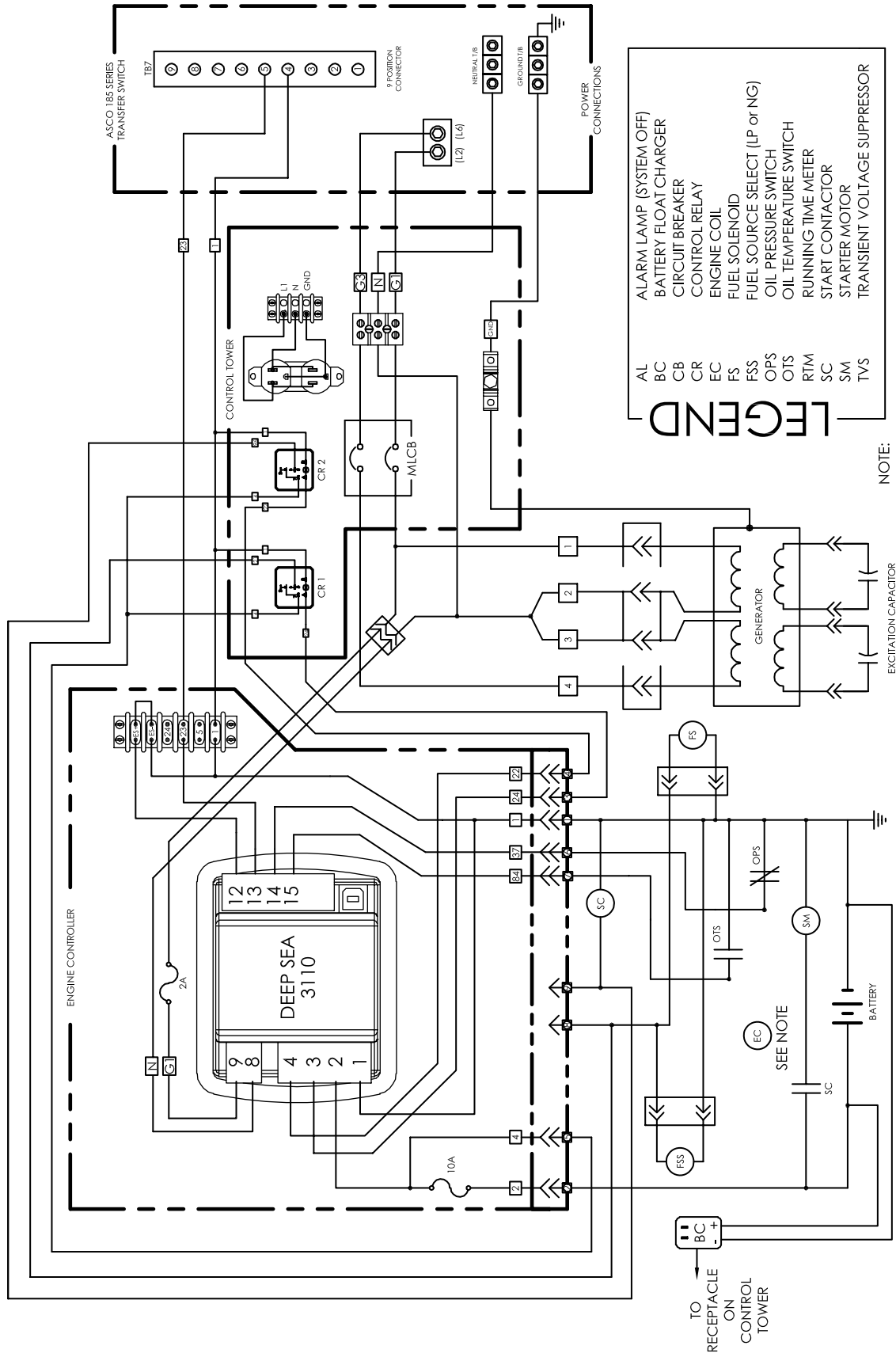


REF #	PART NUMBER	QTY	DESCRIPTION
1	22097-012	1	Battery Negative (-) cable
2	22097-009	1	Battery Positive (+) cable
3	300430-4	1	Battery Riser
4	300430-5	1	Battery Tray
5	95901-002	1	Battery Terminal Boot

4-WIRE START AC AND DC GENERATOR SCHEMATIC



2-WIRE START AC AND DC GENERATOR SCHEMATIC



LEGEND

- AL ALARM LAMP (SYSTEM OFF)
- BC BATTERY FLOAT CHARGER
- CB CIRCUIT BREAKER
- CR CONTROL RELAY
- EC ENGINE COIL
- FS FUEL SOLENOID
- FSS FUEL SOURCE SELECT (LP or NG)
- OPS OIL PRESSURE SWITCH
- OTS OIL TEMPERATURE SWITCH
- RTM RUNNING TIME METER
- SC START CONTACTOR
- SM STARTER MOTOR
- TVS TRANSIENT VOLTAGE SUPPRESSOR

NOTE:
ENGINE COIL WIRES REMOVED FOR 2-WIRE APPLICATION.