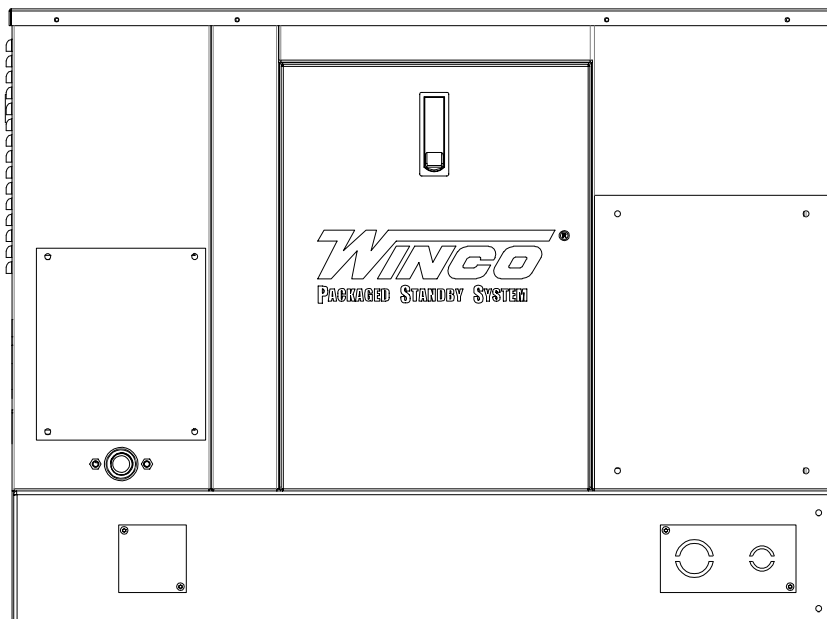




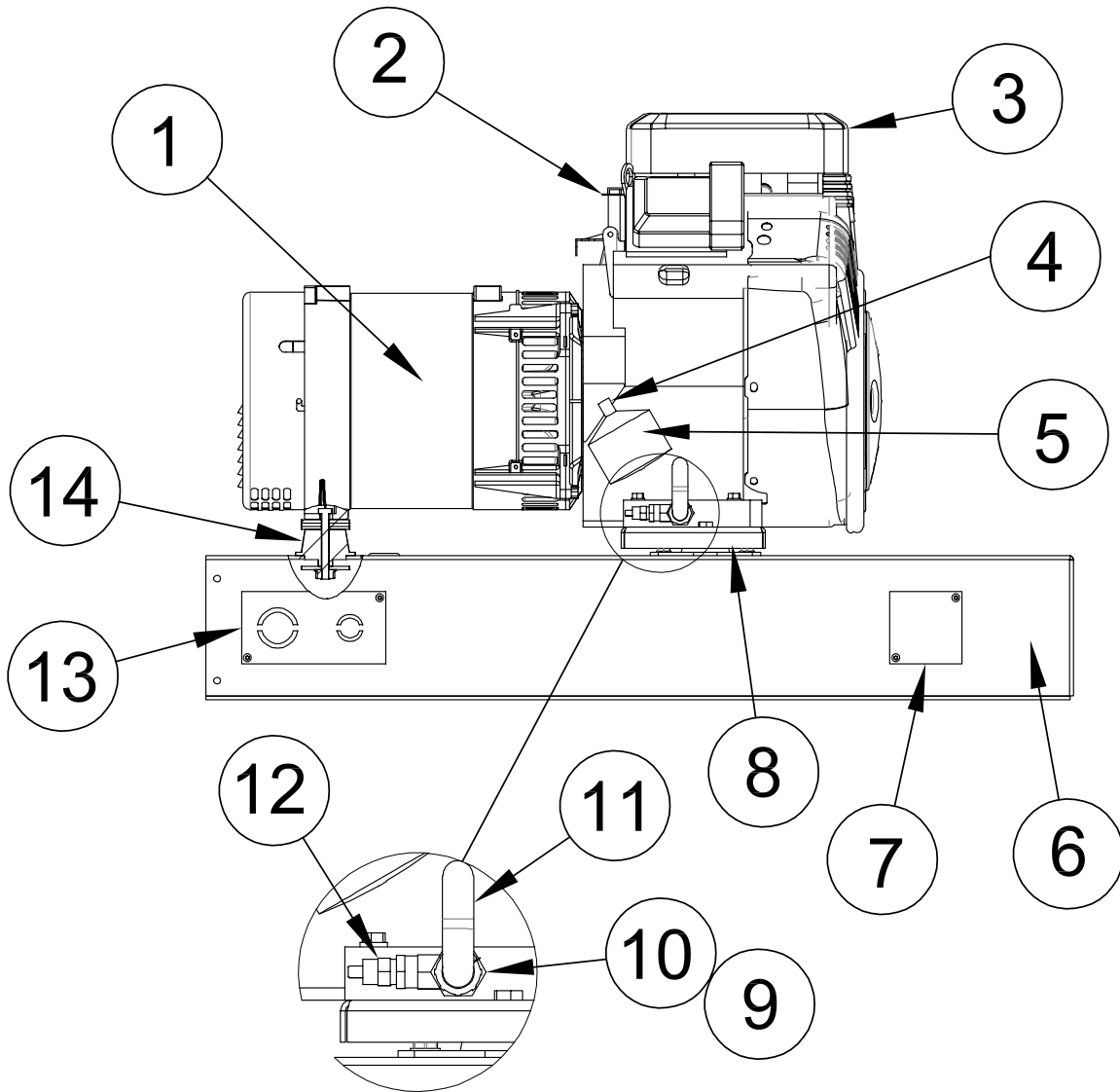
# ILLUSTRATED PARTS LIST

## ULPSS8B4W/E ULPSS8B2W/E



225 S. CORDOVA AVE.  
LECENTER, MN 56057  
507-357-6821  
SERVICE DEPT.  
507-357-6831  
wincogen.com

# GENERATOR ASSEMBLY

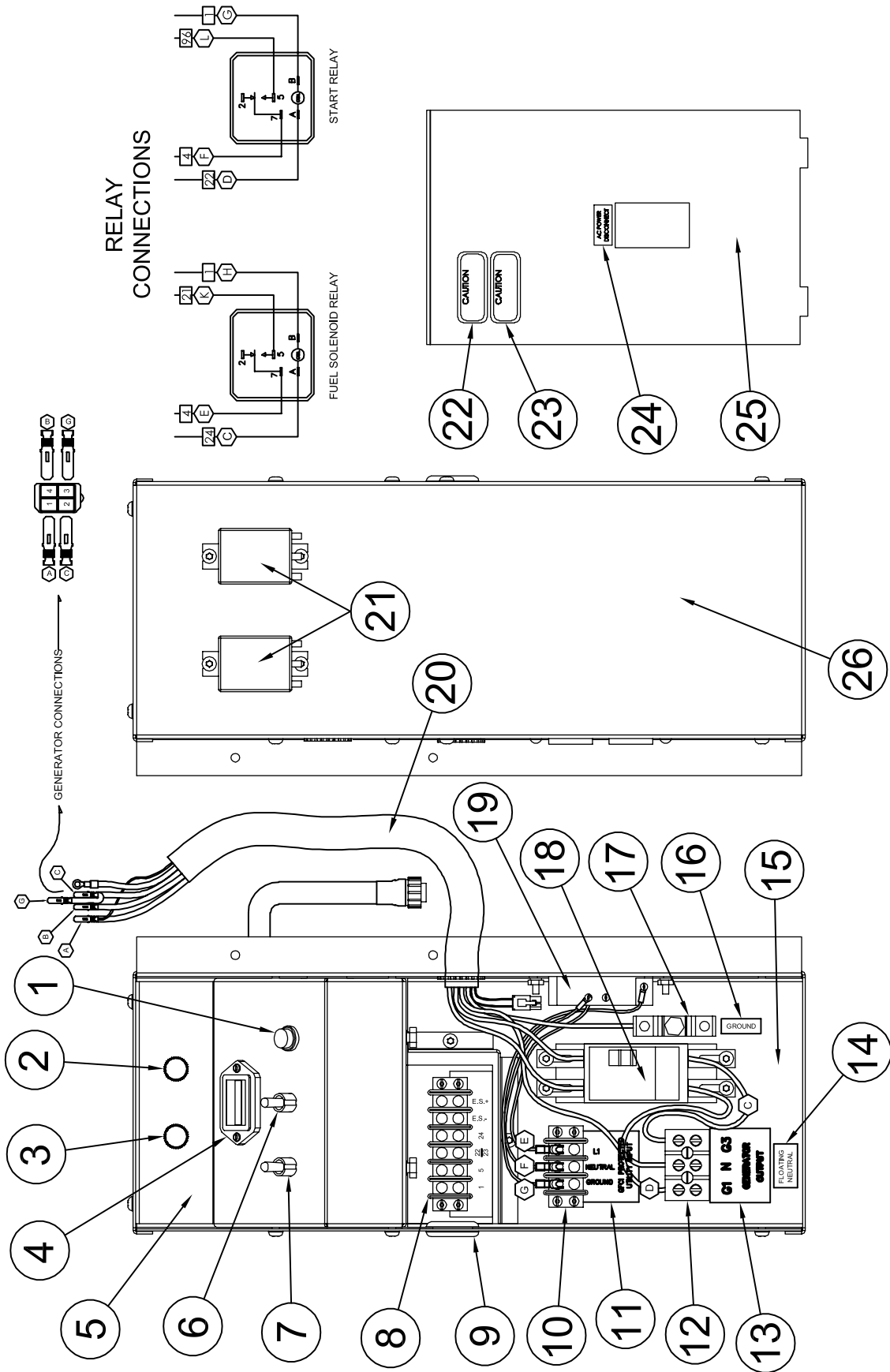


REF #	PART NUMBER	QTY	DESCRIPTION
1	16346-004	1	Generator Mecc Alte Spa Model: S20W-130/A
2	16288-002	Reference	Engine Briggs and Stratton Model: 359447-0115-E1
3	2-107	1	Air Filter
	272490	1	Air Filter - Pre-Cleaner
4	690237	1*	Oil Pressure Switch
5	2-105	1	Oil Filter
6	16406-005	1	Base
7	300385-2	2	Lifting Hole Cover
8	15636-004	1	Engine Support
9	99967-000	1	Street Tee Fitting
10	300349	1	Oil Drain Valve
11	62286-012	1	½" Hose 12" long
12	15808-000	1	Oil Temperature Switch
13	300385-3	2	Lifting Eye Cover
14	98807-000	3	Shock Mount
NI	2-109	2	Spark Plug
NI	16288-112	1	Starter Solenoid

\* Briggs & Stratton part #

NI Not Illustrated

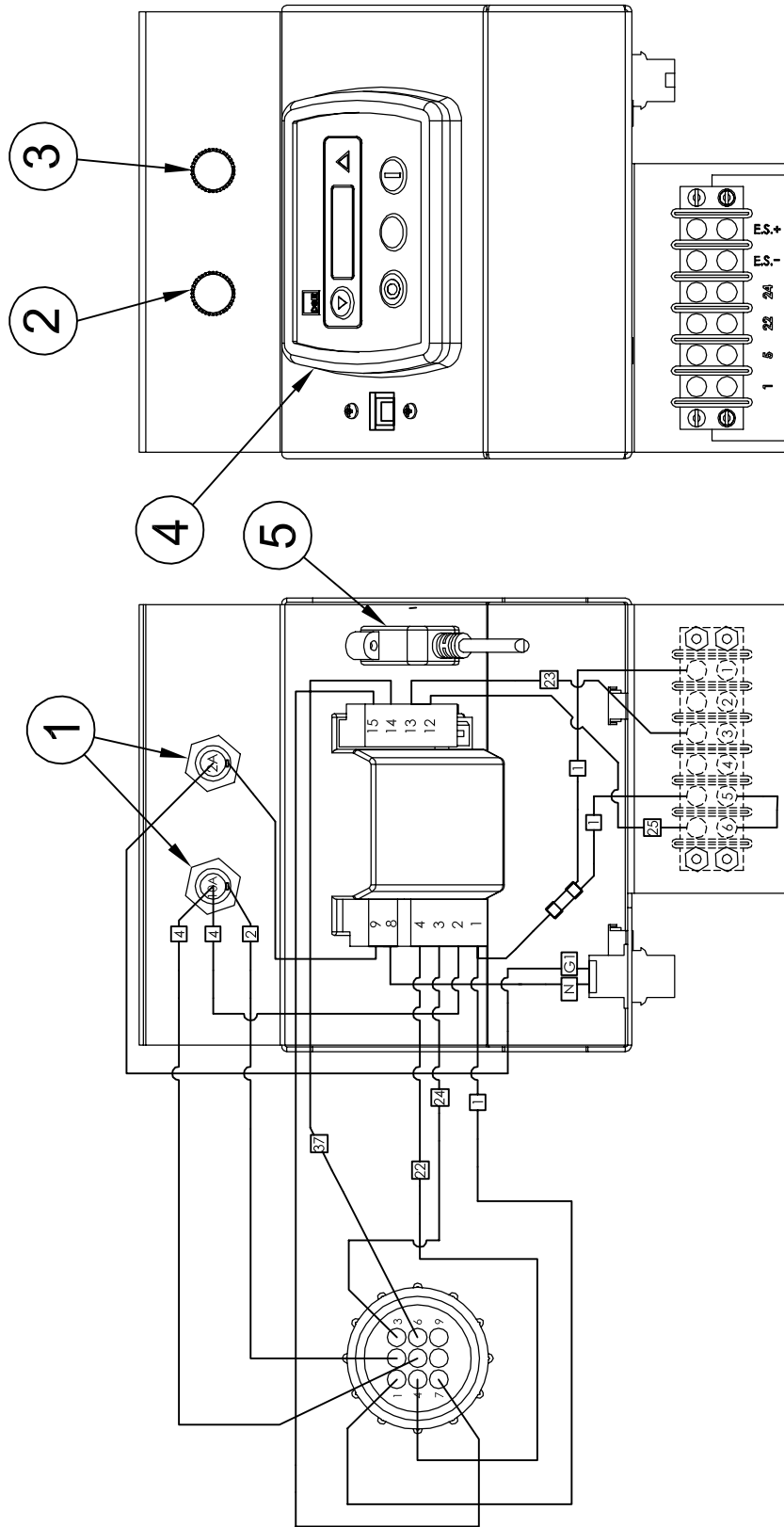
# CONTROL TOWER ASSEMBLY



REF #	PART NUMBER	QTY	DESCRIPTION
1	64897-001	1	Indicator Light
2	95064-002	1	3/4 Amp Fuse
3	95064-006	1	10 Amp Fuse
4	58166-006	1	Running Time Meter
5	15764-012	1	Engine Control Module
6	95894-001	1	Toggle Switch (On)-On-Off
7	71215-002	1	Toggle Switch On-None-On
8	80623-000	1	6 Point Terminal Block
9	23917-000	1	Grommet
10	80623-005	1	3 Point Terminal Block
11	64576-006	1	3 Point Decal
12	51795-000	1	3 Point Terminal Block
13	64576-005	1	AC Output Decal
14	16501-000	1	Floating Neutral Decal
15	15666-006S	1	MLCB Panel
16	15750-001	1	Ground Decal
17	48042-000	1	Ground Lug
18	57030-003	1	35 Amp Circuit Breaker
19	24749-000	1	NEMA 5-15R Receptacle
20	9700-002	1	Lead Wire Assembly
21	59944-002	2	SPDT 10 Amp Relay
22	16503-000	1	Caution Decal
23	63941-005	1	Caution Decal
24	16502-001	1	AC Disconnect Decal
25	15666-007S	1	Cover
26	15667-006S	1	Tower
NI	300309-3	1	DC Box
NI	16287-000	1	Battery Tender
NI	15757-028	1	DC Harness
NI	21698-001	20	Torx Screws
NI	16454-001	1	Trans. Voltage Suppressor
NI	2489-001	2	Fuse Holder
NI	Not Illustrated		

NOTE: 2-Wire Engine Control Assembly: 15764-011 This is used if the gen-set  
Is converted to a 2-wire start generator.

# 2-WIRE CONTROLLER ASSEMBLY (15764-011)



## DESCRIPTION

Fuse Holder  
 10 Amp Fuse  
 2 Amp Fuse  
 DSE 3110 Controller  
 USB Cable  
 Remote Start Decal

## QTY

2  
 1  
 1  
 1  
 1  
 1

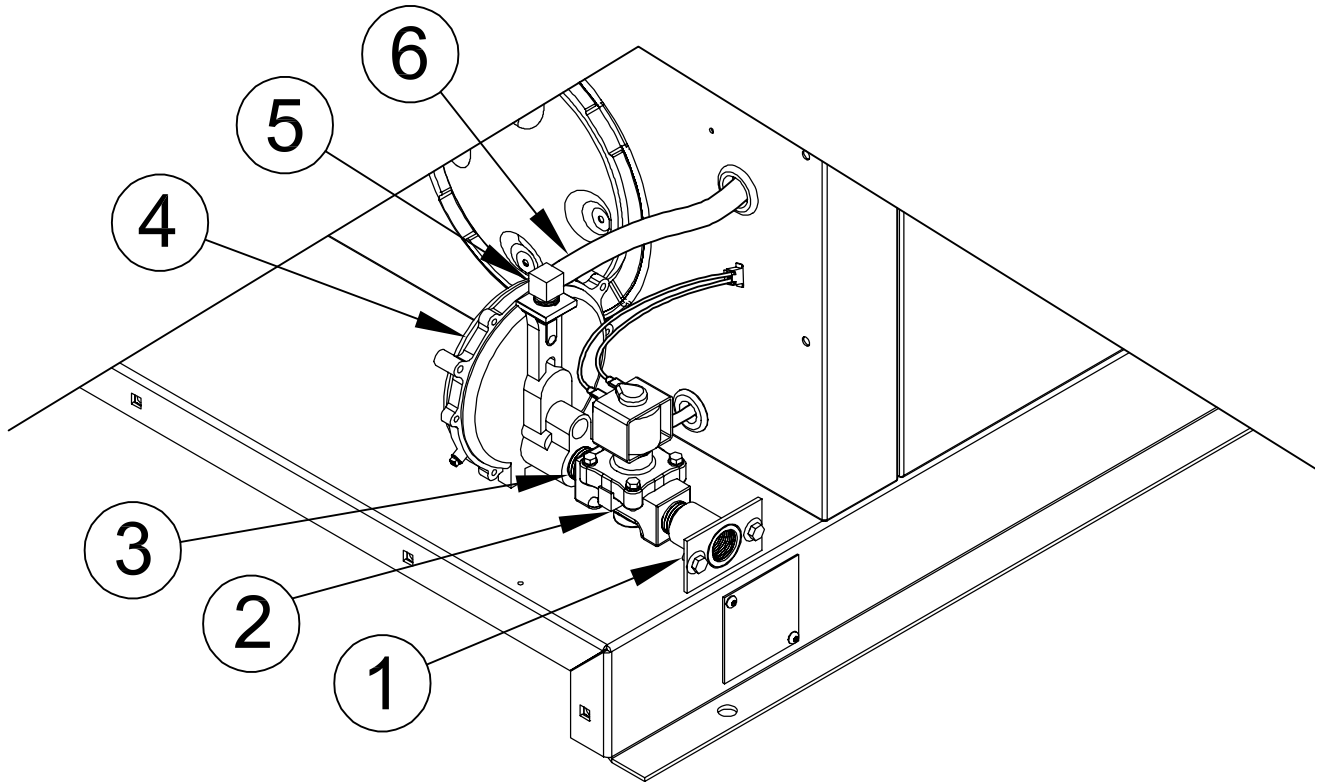
## PART NUMBER

2489-001  
 95064-006  
 95064-008  
 351112-5  
 92844-005  
 64576-018  
 Not Illustrated

## REF #

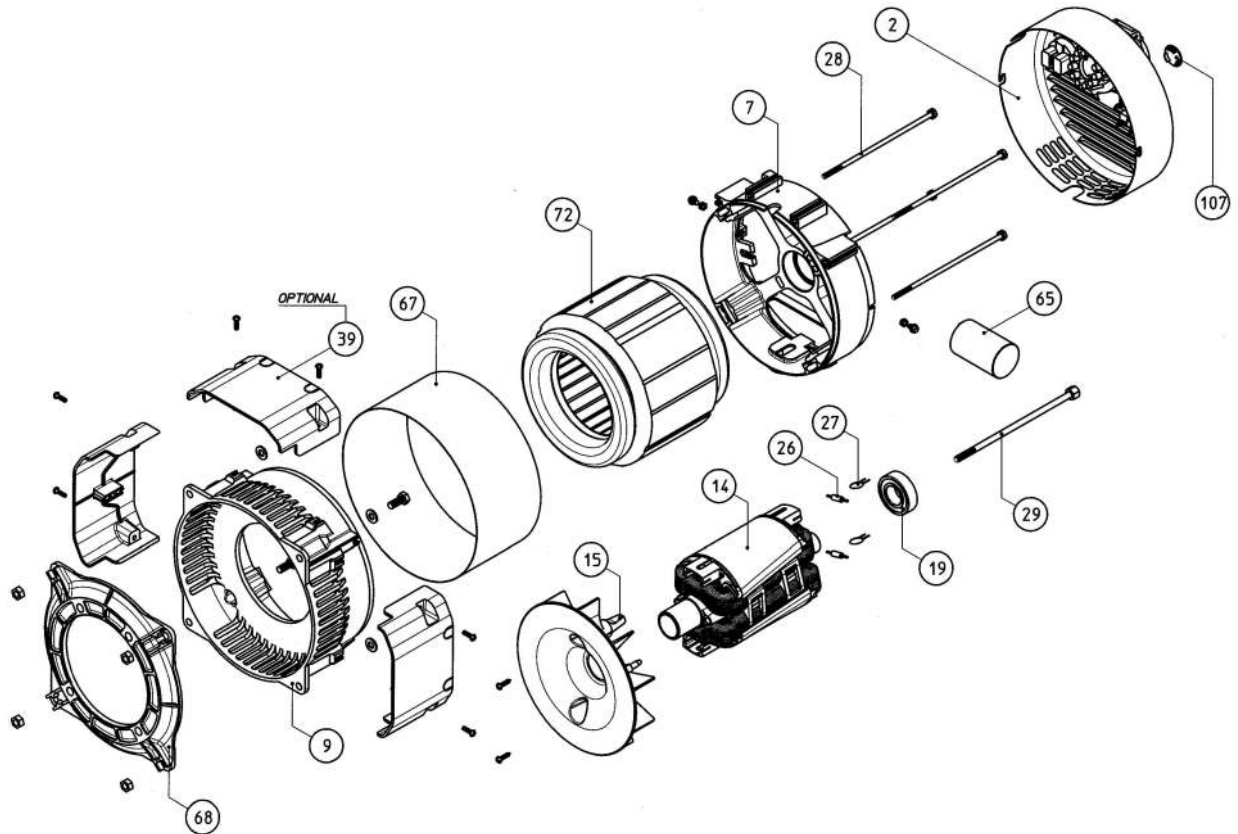
1  
 2  
 3  
 4  
 5  
 NI  
 NI

# VAPOR FUEL SYSTEM ASSEMBLY



REF #	PART NUMBER	QTY	DESCRIPTION
1	99085-011	1	Fuel Inlet Weldment
2	42942-000	1	Solenoid
3	54074-006	2	3/4" Pipe Nipple
4	55559-002	1	Demand Regulator
5	92382-004	1	Hose Fitting
6	23048-000	18"	Fuel Hose
NI	81018-005	2	Hose Clamp
NI	81827-001	1	1/8" 90° Breather Hose Fitting
NI	40078-000	11"	Breather Hose
NI	644-000	1	1/8" Plug
NI	Not Illustrated		

# GENERATOR END ASSEMBLY



REF #	PART NUMBER	QTY	DESCRIPTION
	16346-004	1	Complete Generator End
19	54665-000	1	6205-2RS Bearing
26	300323-208	2	Varistor
27	300323-207	2	Diode
65	16346-312	1*	40 mf Capacitor
65	16346-412	1**	45 mf Capacitor

\* Revisions 1, A, B, C, D, E, F & G (before 6-2013)

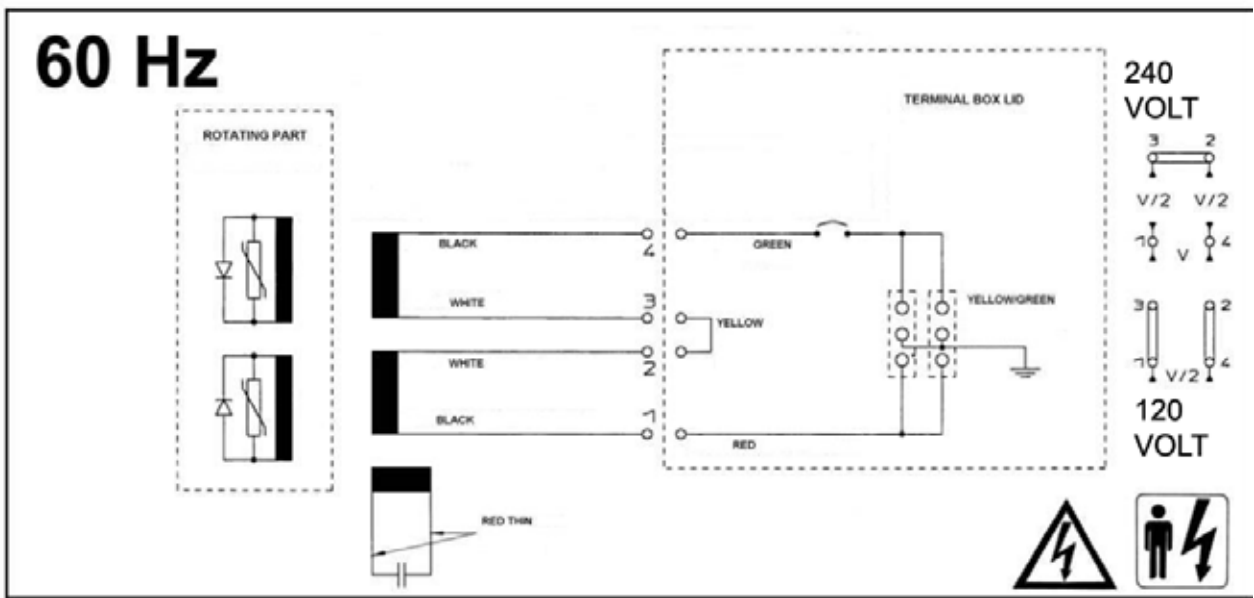
\*\* Revision G (after 6-2013)

## GENERATOR SPECIFICATIONS:

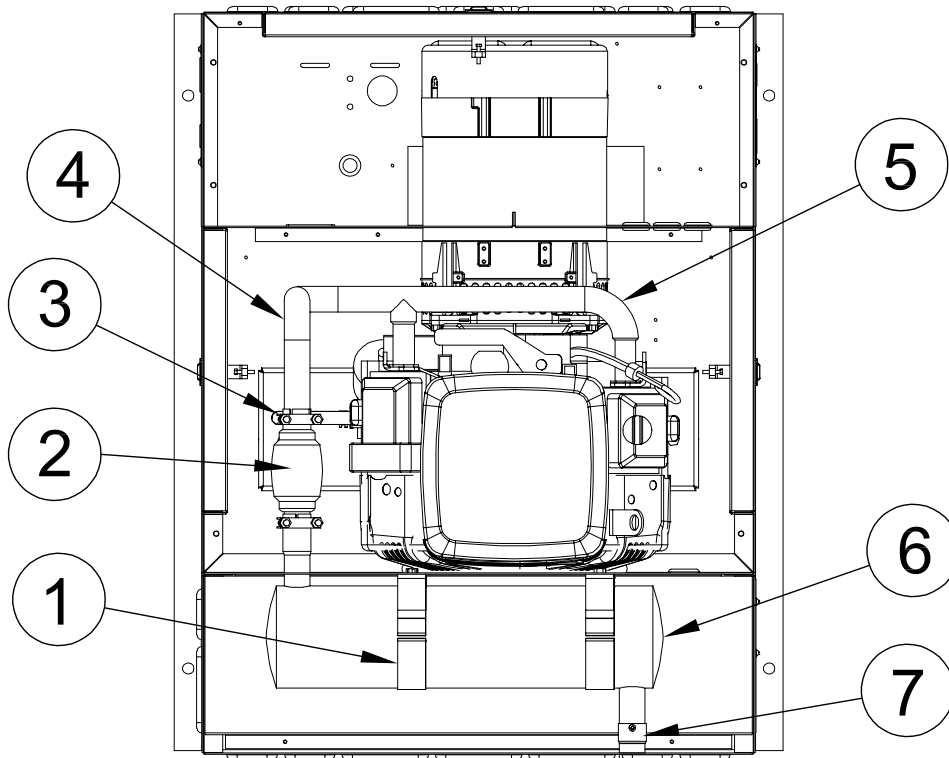
STATOR:	0.14 Ohms
ROTOR:	5.67 Ohms
CAPACITOR LEADS	1.31 Ohms



# GENERATOR END SCHEMATIC

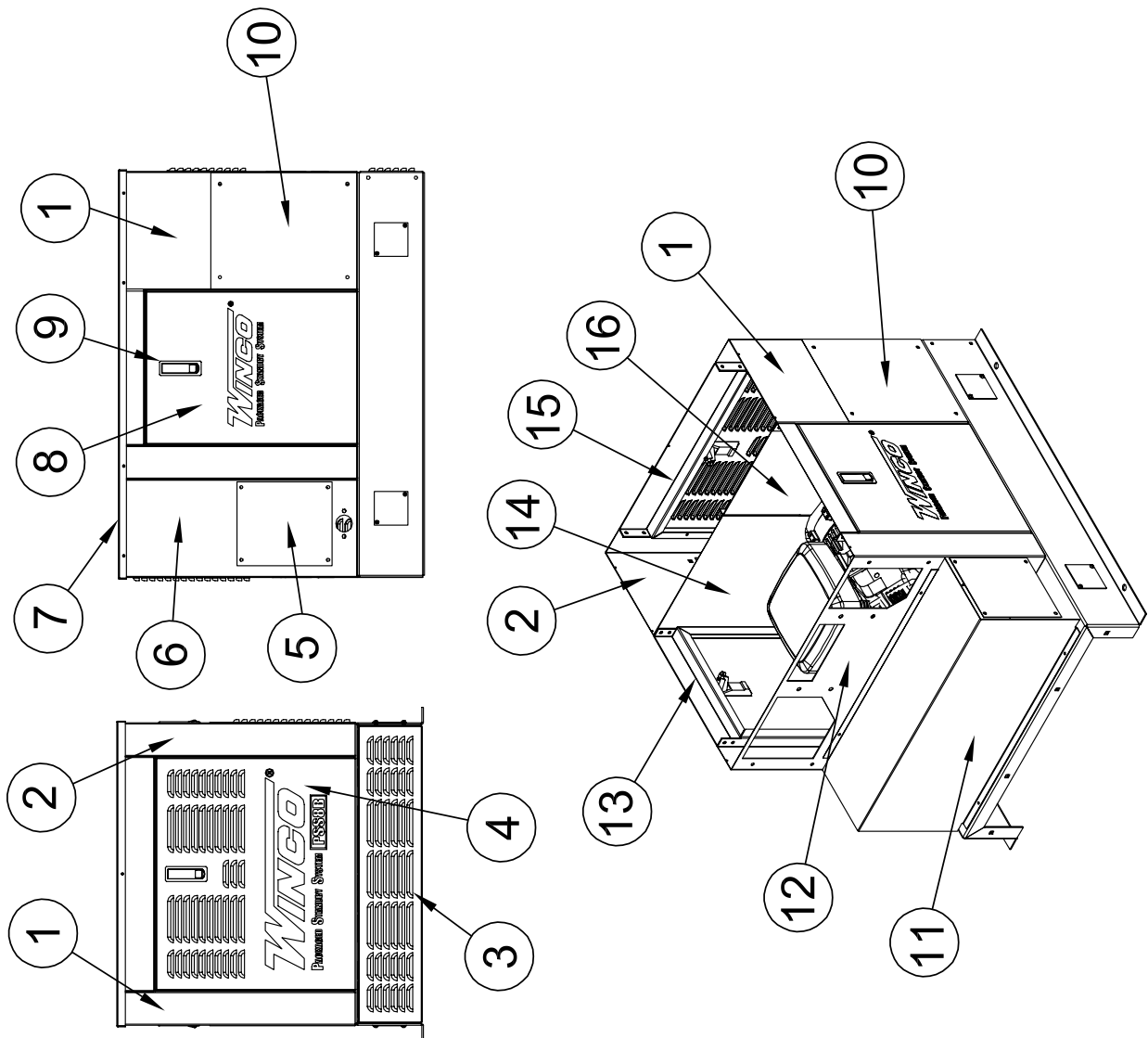


# EXHAUST ASSEMBLY



REF #	PART NUMBER	QTY	DESCRIPTION
1	350264-17	2	Muffler Bracket
2	16246-001	1	Exhaust Flex
3	93489-010	2	Exhaust Clamp
4	97274-000	10 ft	High Temperature Tape
5	16247-001	1	Exhaust Manifold
6	350590-8	1	Muffler
7	15769-002	1	Spark Arrestor

## HOUSING ASSEMBLY

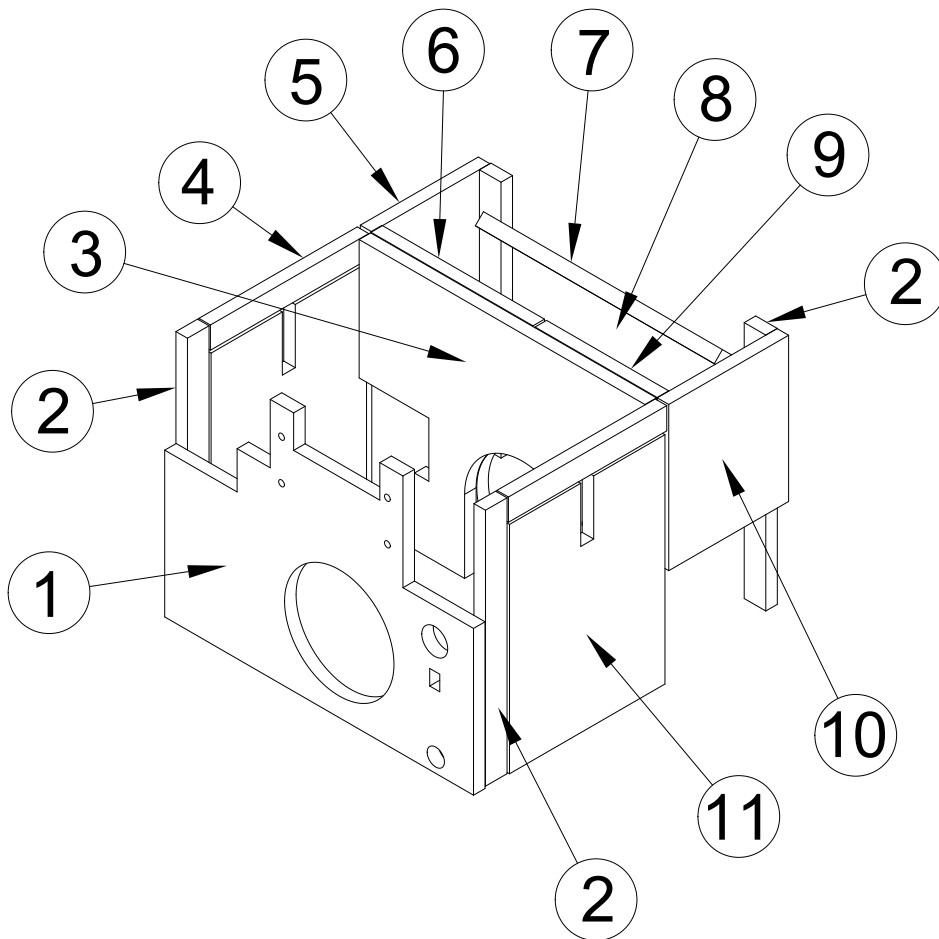


REF #	PART NUMBER	QTY	DESCRIPTION
1	16464-004S	1	Back Left Corner
2	16464-003S	1	Back Right Corner
3	15671-010S	1	Back Bottom
4	16360-030S	1	Rear Door
5	16414-006S	1	Regulator Access Panel
6	16414-005	1	Front
7	16422-004S	1	Roof
8	16360-031S	2	Service Panel
9	95229-005	2	Latch
10	16414-009S	2	Battery Access Panel
11	16473-005S	1	Cool Air Partition
12	16473-006	1	Front Divider
13	15681-018S	2	Side Sill
14	16416-004S	1	Right Generator Partition
15	15681-020S	1	Rear Sill
16	16417-004S	1	Left Generator Partition
NI	23917-000	3	Grommet
NI	62486-000	2	Grommet
NI	21698-001	18	Torx Screw
NI	15287-001	2	Air Seal 15.5"
NI	62912-001	14 ft	3/4" Foam Strip
NI	Not Illustrated		

## DECALS

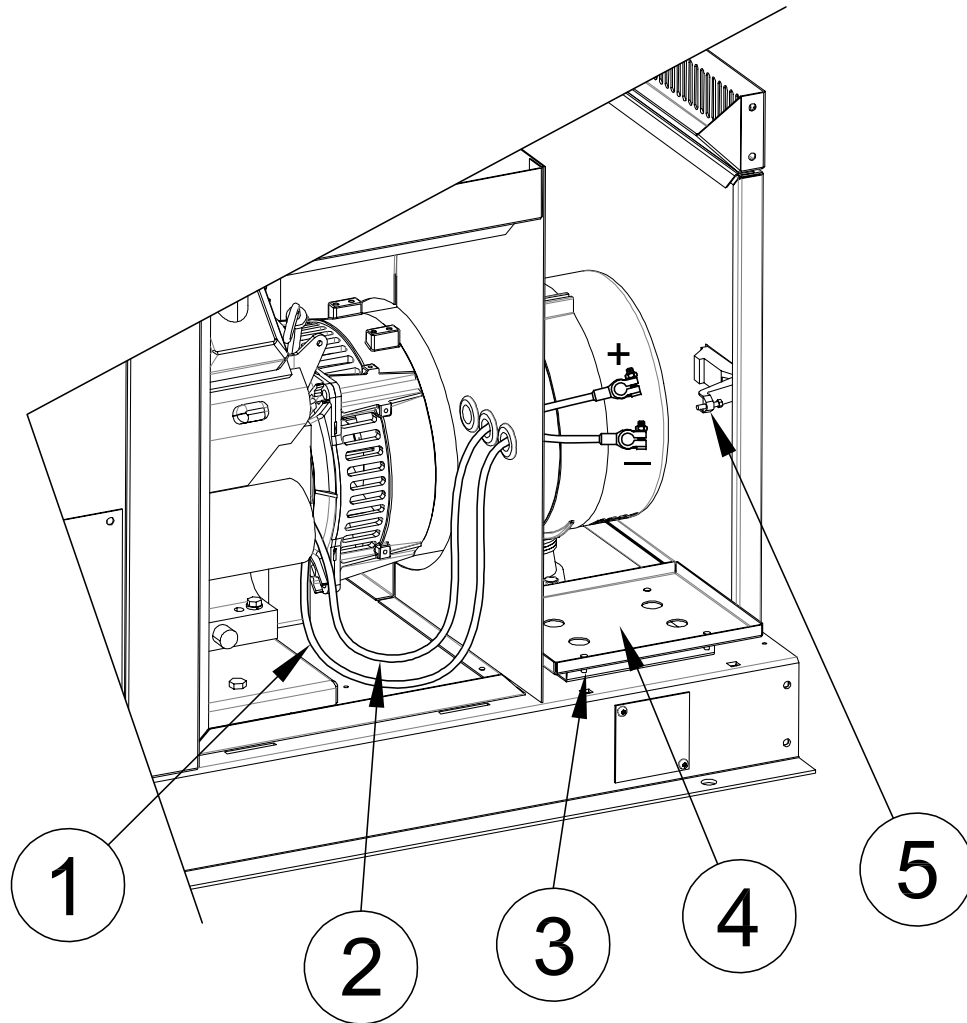
PART NUMBER	QTY	DESCRIPTION
15209-000	1	Decal Set
15209-100	1	Decal Set French
63941-001	3	Hot Surface Decal
63941-003	1	Battery Compartment Decal
63941-004	1	Fuse Warning Decal
97813-000	2	Auto Start Warning Decal
15849-000	1	CSA Standby Decal
64891-001	1	Electrical Code Decal
300375	1	Fuel Selection Decal
15210-010	1	UL Fuel System Decal
15209-004	1	Aluminum Inlet Decal

# FOAM KIT



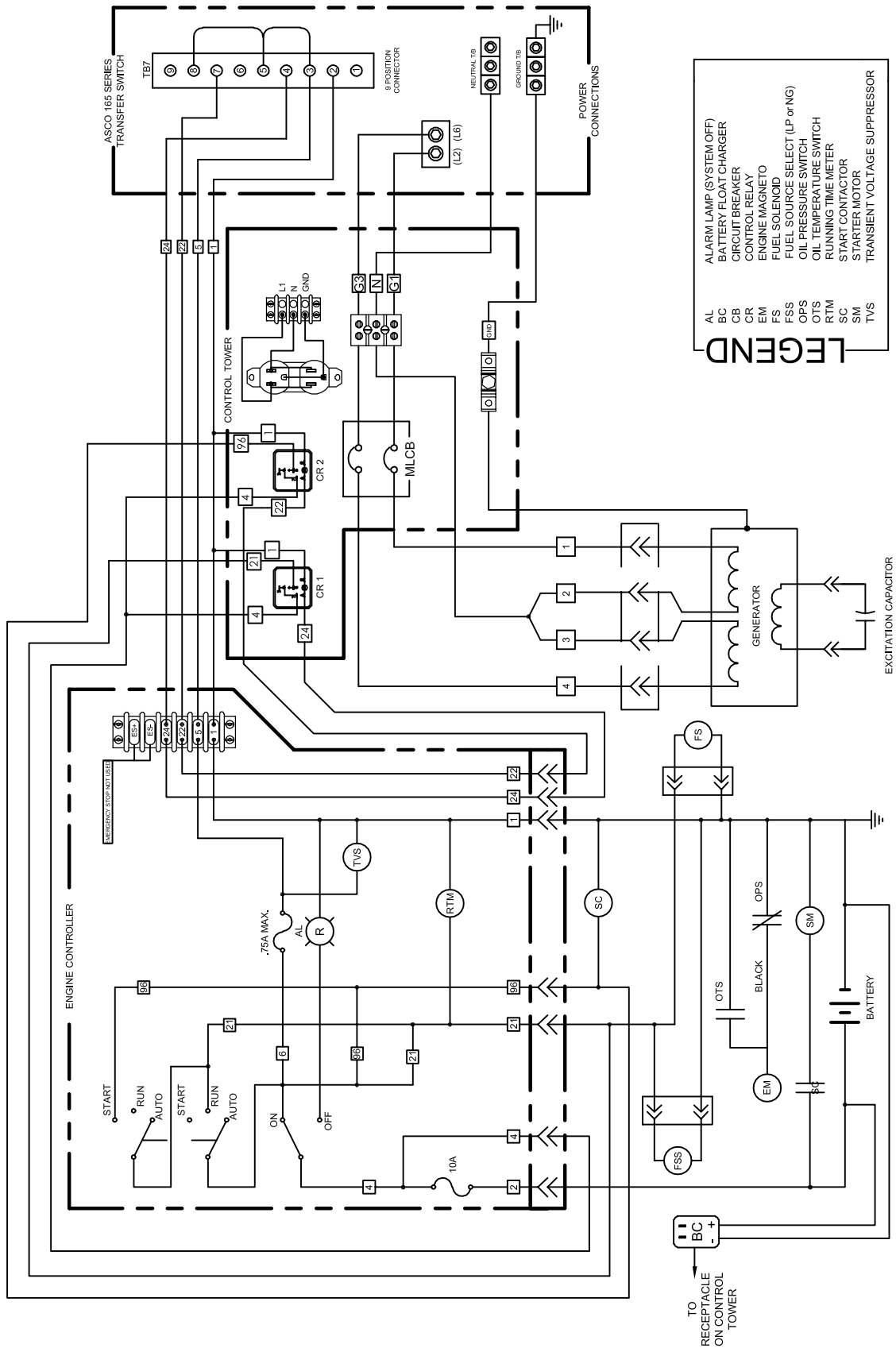
REF #	PART NUMBER	QTY	DESCRIPTION
1	16485-028S	1	Engine Divider Foam
2	16485-035S	4	Back Corner Foam
3	16485-034S	1	Generator Partition Foam
4	16485-029S	2	Side Sill Foam
5	16485-033S	1	Back Right Corner Foam
6	16485-031S	1	Right Partition Foam
7	16485-037S	1	Rear Sill Foam
8	16485-036S	1	Rear Door Foam
9	16485-030S	1	Left Partition Foam
10	16485-032S	1	Back Left Corner Foam
11	16485-027S	2	Service Panel Foam
NI	16485-038S	1	Roof Foam
NI	97291-008S	1	Reflective Roof Foam
NI	97291-009S	2	Reflective Foam

# BATTERY ASSEMBLY



REF #	PART NUMBER	QTY	DESCRIPTION
1	22097-012	1	Battery Negative (-) Cable
2	22097-009	1	Battery Positive (+) Cable
3	300430-4	1	Battery Riser
4	300430-5	1	Battery Tray
5	95901-002	1	Terminal Boot

# 4-WIRE START AC AND DC GENERATOR SCHEMATIC



# 2-WIRE START AC AND DC GENERATOR SCHEMATIC

