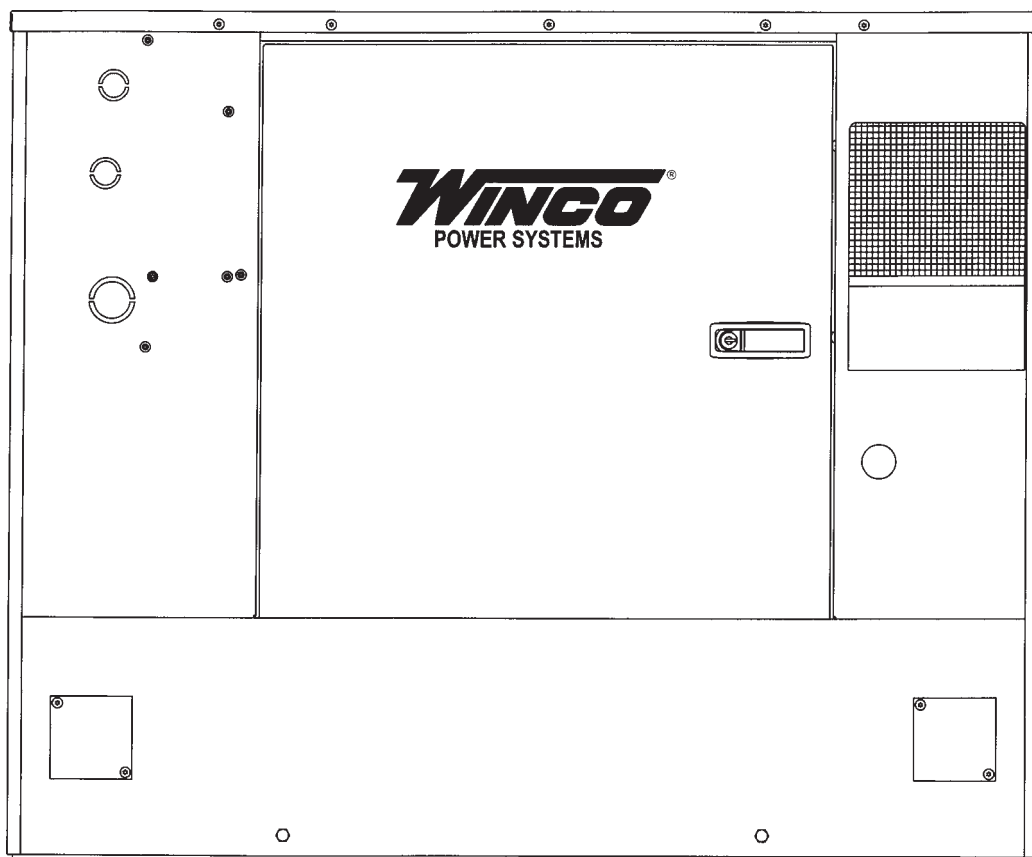
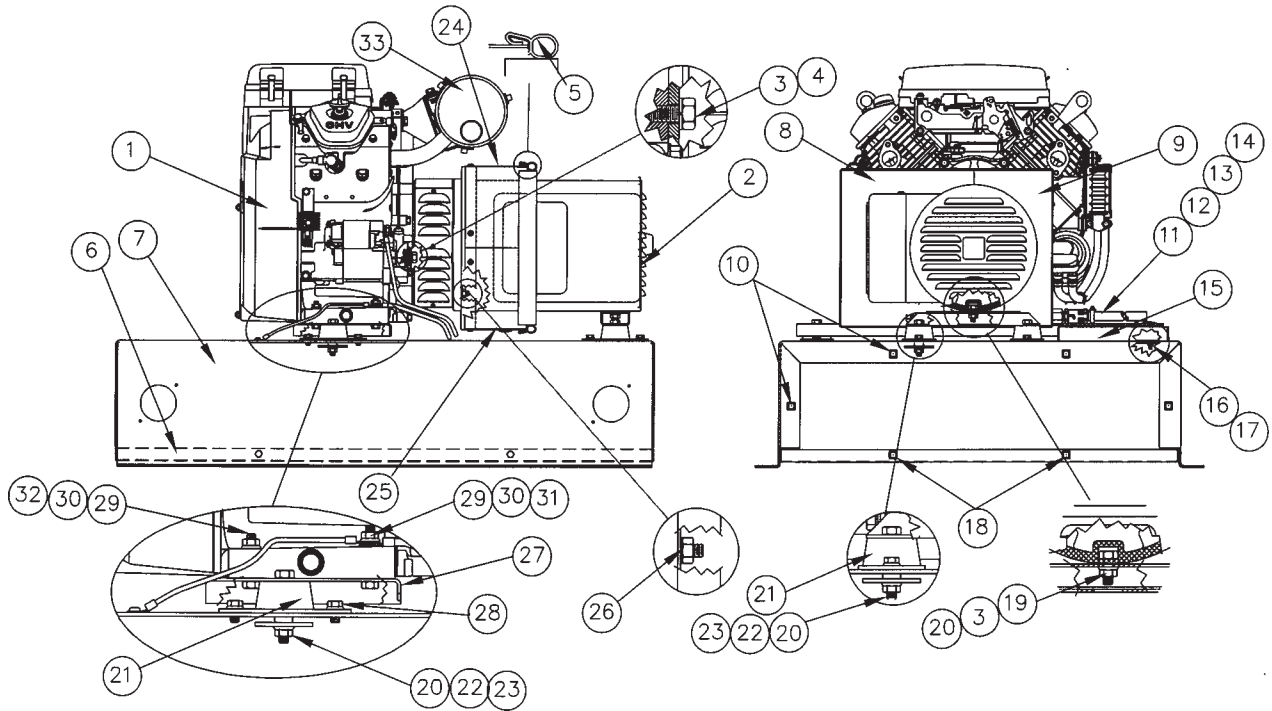


**ILLUSTRATED
PARTS LISTS
WIRING DIAGRAMS**

**PSS12H2W/C
PSS12H4W/C**



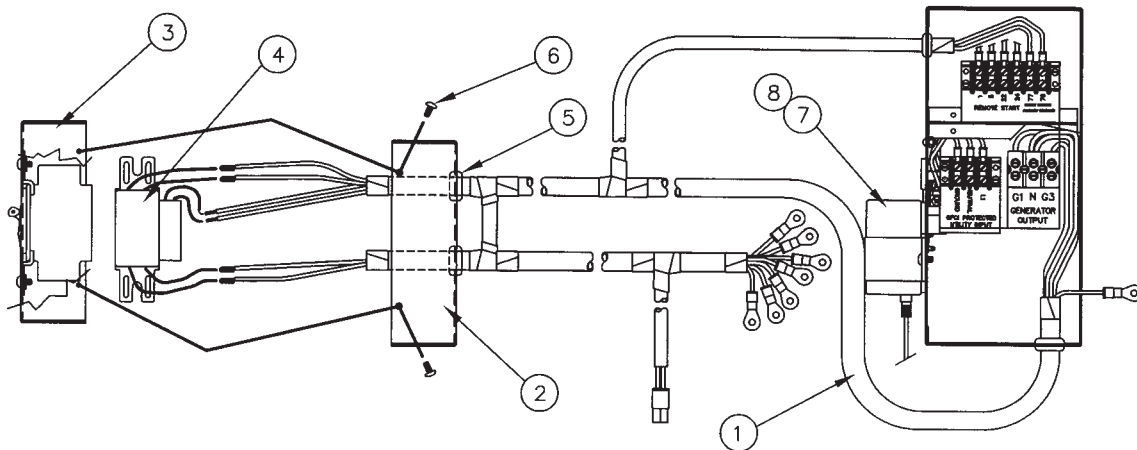
ENGINE GENERATOR ASSEMBLY



REF#	PART NUMBER	QTY	DESCRIPTION
1	99780-000 GX 670VXC2	1	Engine, Honda Code 637220
2	351836-1	1	Generator Assembly (S20FS-160)
3	91658-001	5	3/8 - 16 X 1" Hex Head Bolt
4	481-000	4	3/8 Lockwasher
5	15287-000	1	Air Seal 52"
6	15637-403	1	Base Channel
7	16429-000	1	Base
8	16426-403	1	Generator Duct Adapter LH
9	16426-401	1	Generator Duct Adapter RH
10	92495-003	8	1/4 - 20 Retained Nut (10 GA)
11	300349-1	1	Oil Drain Adapter
12	300349	1	Oil Drain Valve
13	55505-000	1	3/8 ID Hose
14	62999-004	1	Hose Clamp
15	16358-403	1	Battery Tray (7" X 8.5")
16	95568-000	2	#10 - 24 Threadstud
17	99671-000	2	#10 - 24 Flange Nut
18	92495-000	8	1/4 - 20 Retained Nut (16GA)
19	16430-000	1	Generator Support Channel
20	16250-000	5	3/8 - 16 Flange Nut

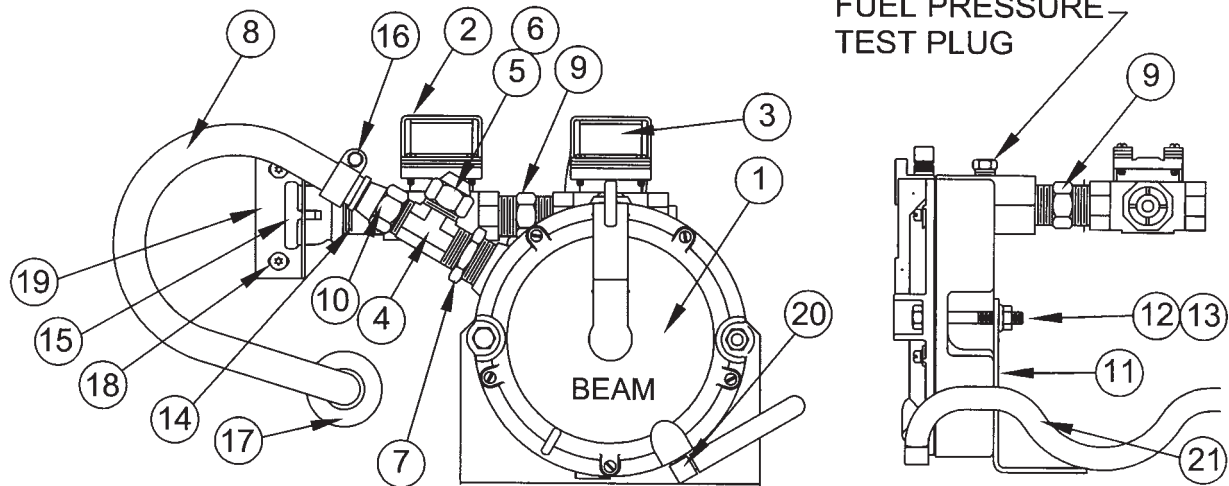
REF#	PART NUMBER	QTY	DESCRIPTION
21	98807-000	4	Shockmount
22	91658-006	4	3/8 – 16 X 2½ Hex Head Bolt
23	98806-000	4	3/8 ID X 2 OD Flat Washer
24	16441-401	1	Top Duct Adapter Extension
25	16441-403	1	Bottom Duct Adapter Extension
26	16446-000	4	M8-1.25 Nylok Hex Nut
27	16411-401	1	Engine Support Channel
28	62173-000	8	5/16 – 18 X ½ Self Tapping Screw
29	526-000	4	5/16 Flat Washer
30	16249-000	4	5/16 – 18 Flange Nut
31	9416-000	2	5/16 – 18 X 1¾ Hex Head Bolt
32	468-000	2	5/16 – 18 X 1½ Hex Head Bolt
33	16067-003	REF	Honda Muffler #VHRM4

AC WIRING HARNESS & CIRCUIT BREAKER



REF#	PART NUMBER	QTY	DESCRIPTION
1	15757-014	1	AC Wiring Harness
2	99876-401	1	Circuit Breaker Box Cover
3	99876-402	1	Circuit Breaker Box
4	64898-002	1	Circuit Breaker 50A 240 V
5	16302-000	2	Grommet
6	21698-001	2	#10 x 3/8 Self Tapping Screw
7	16287-000	1	Battery Trickle Charger
8	300308-10	1	Battery Charger Hold Down Strap

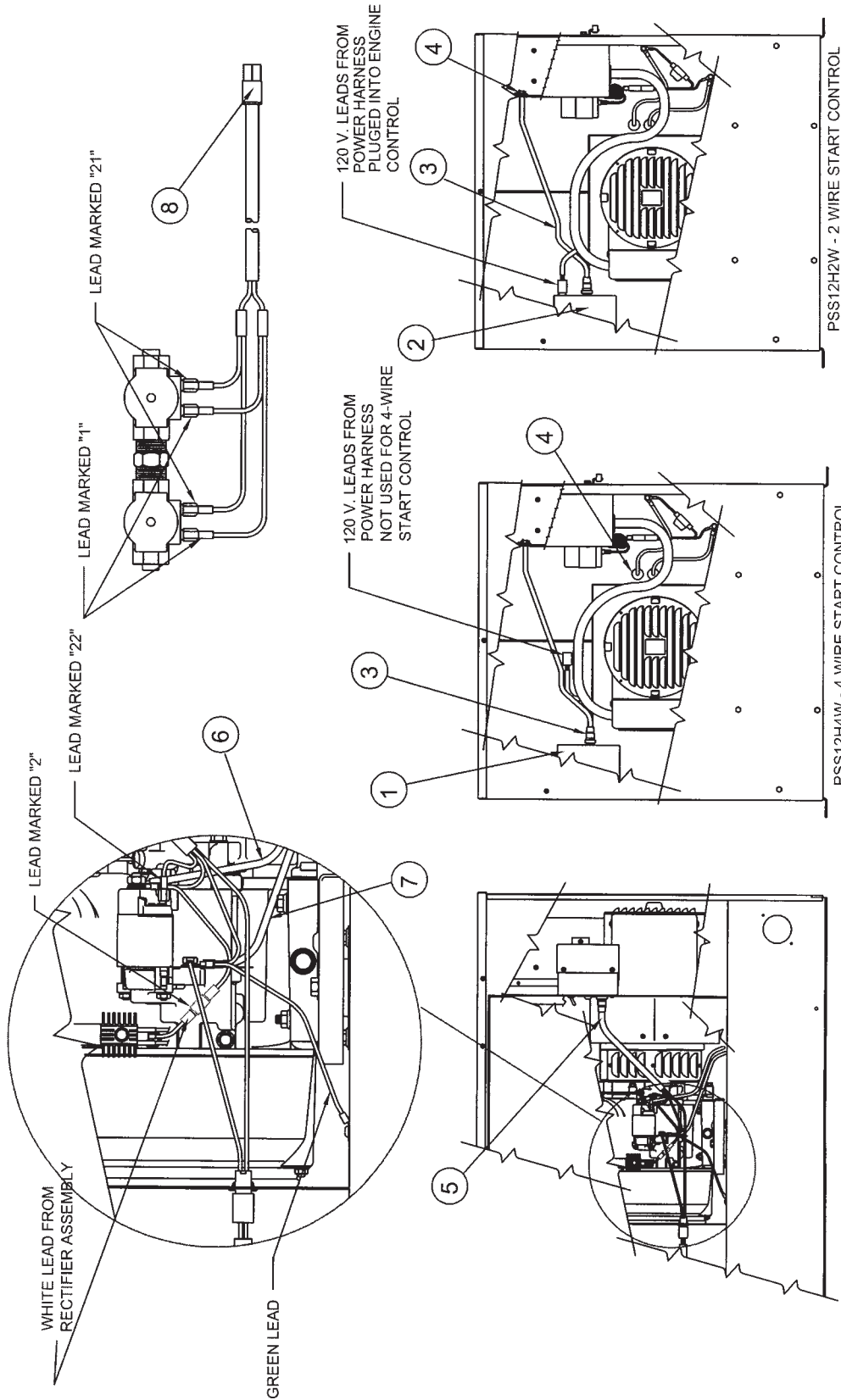
LP/NG FUEL SYSTEM



REF#	PART NUMBER	QTY	DESCRIPTION
1	16331-401	1	Regulator T202ANL-E*
2	16331-402	1	Fuel Solenoid FL-30639*
3	16331-403	1	Fuel Solenoid FL-30638*
4	F3-30367*	1	Tee Fitting
5	J1-30655-002*	1	Orifice Insert 5.4mm LP
6	C2-30035*	1	Cap Nut 1/2" SAE Flare
7	F4-30635*	1	Fitting 3/4" NPT X 1/2" NPT Bushing
8	AH1-30634*	1	Fuel Hose 1/2" X 40" with 1/2" Female (Do Not Shorten) Flare Fitting & Clamp
9	F4-30633*	1	Fitting 1/2" Hex Nipple
10	J1-30655-003*	1	Orifice Insert 6.7mm NG
11	16433-000	1	Mounting Bracket
12	20544-001	2	1/4" - 20 X 2 1/4" Hex Head Bolt
13	16248-000	2	1/4" -20 Flangenut
14	21089-000	1	1/2" by 1 1/2" Pipe Nipple
15	95954-001	1	1/2" to 3/4" Bell Reducer
16	81018-008	2	Hose Clamp
17	16302-000	1	Grommet
18	21698-001	2	#10 X 3/8 Self Tapping Screw
19	16433-001	1	Fuel Line Support Bracket
20	81827-001	1	Fuel Barb 90 Deg.
21	40078-024	1	1/4" ID Hose (22.75")
NI	97338-005	1	Fuel Changeover Decal

* These are IMPCO Carburetion Inc. part numbers. These parts are only available as a kit from WINCO, Inc. The Kit P/N is 16331-003, individual parts may be available through IMPCO.

DC CONNECTIONS & CONTROLS

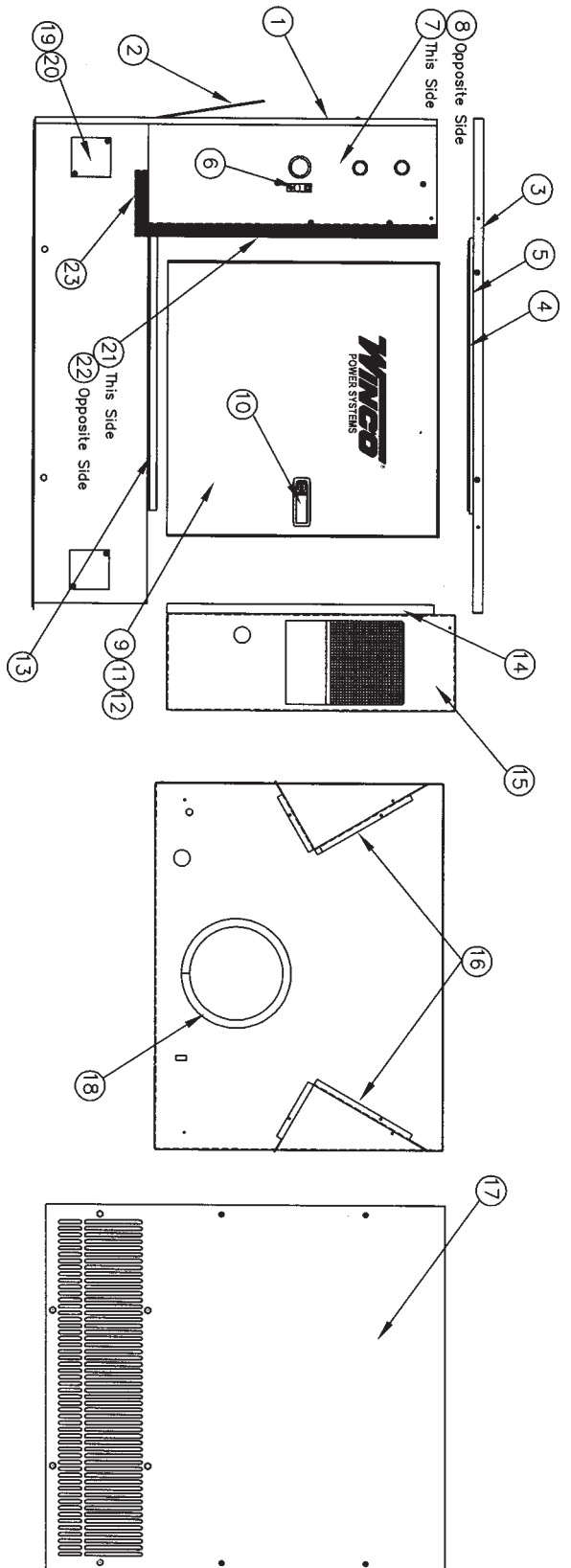


REF#	PART NUMBER	QTY	DESCRIPTION	REF#	PART NUMBER	QTY	DESCRIPTION
1	15764-408	1	Engine Control (4W)	5	16447-001	1	DC Harness Engine
2	15764-407	1	Engine Control (2W)	6	22097-005	1	Battery Cable Positive
3	16447-003	1	DC Harness Terminal Box	7	22097-000	1	Battery Cable Negative
4	23917-003	2	Grommet	8	16447-002	1	Fuel Solenoid Harness

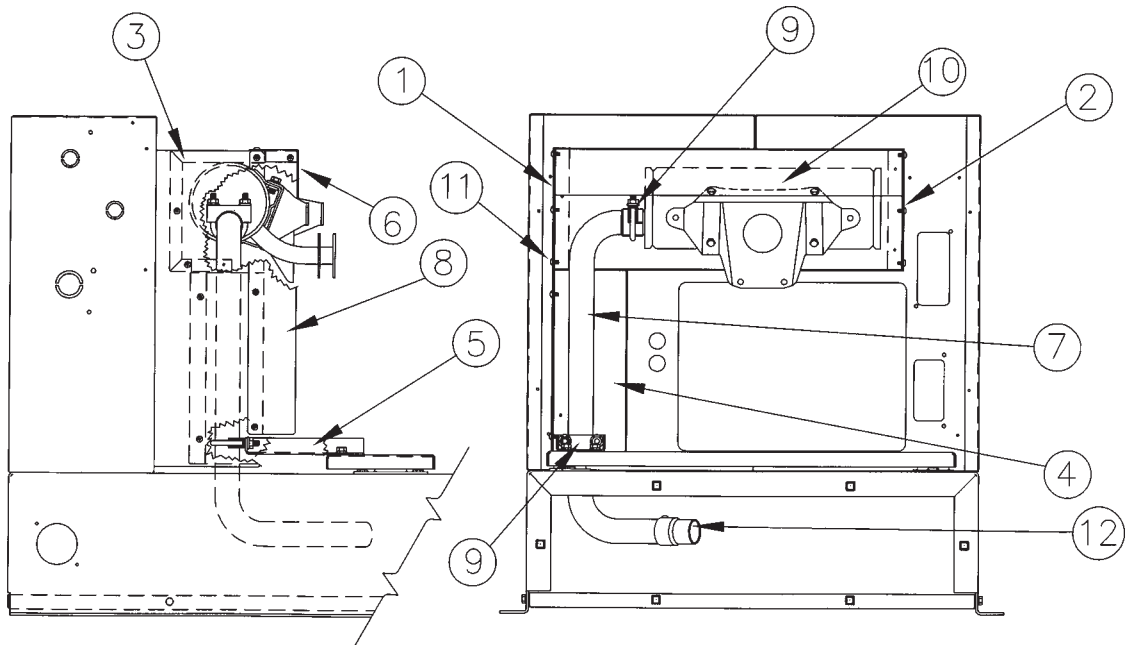
ENCLOSURE ASSEMBLY

REF#	PART NUMBER	QTY	DESCRIPTION
1	15671-404	1	Gen End Panel
2	16451-400	1	Battery Access Door
3	16334-412	1	Roof - Complete w/Foam & Stop
4	99788-469	1	Foam - Included W/Roof
5	16415-401	1	Top Door Stop - Incl. W/Roof
6	48042-000	1	Ground Lug
7	16434-404	1	Right Side Panel
8	16434-405	1	Left Side Panel
9	99785-414	2	Door Complete
10	99788-470	2	Latch Assembly
11	99785-408	2	Door Foam - Included W/Door
12	98375-009	2	Hinge - Included W/Door

REF#	PART NUMBER	QTY	DESCRIPTION
13	15681-407	2	Door Stop - Bottom
14	15681-405	2	Door Stop - Side
15	16413-403	1	Divider Engine Compartment
16	16445-400	2	Air Inlet Duct Assembly
17	16414-401	1	Engine End Panel
18	16338-004	1	Air Seal 26-3/4" Long
19	21698-001	40	Self Tapping Screw #10 x 3/8"
20	16361-402	4	Lifting Hole Cover
21	99788-473	1	Generator Divider Foam (RH)
22	99788-471	1	Generator Divider Foam (LH)
23	99788-472	1	Base Insulation Foam

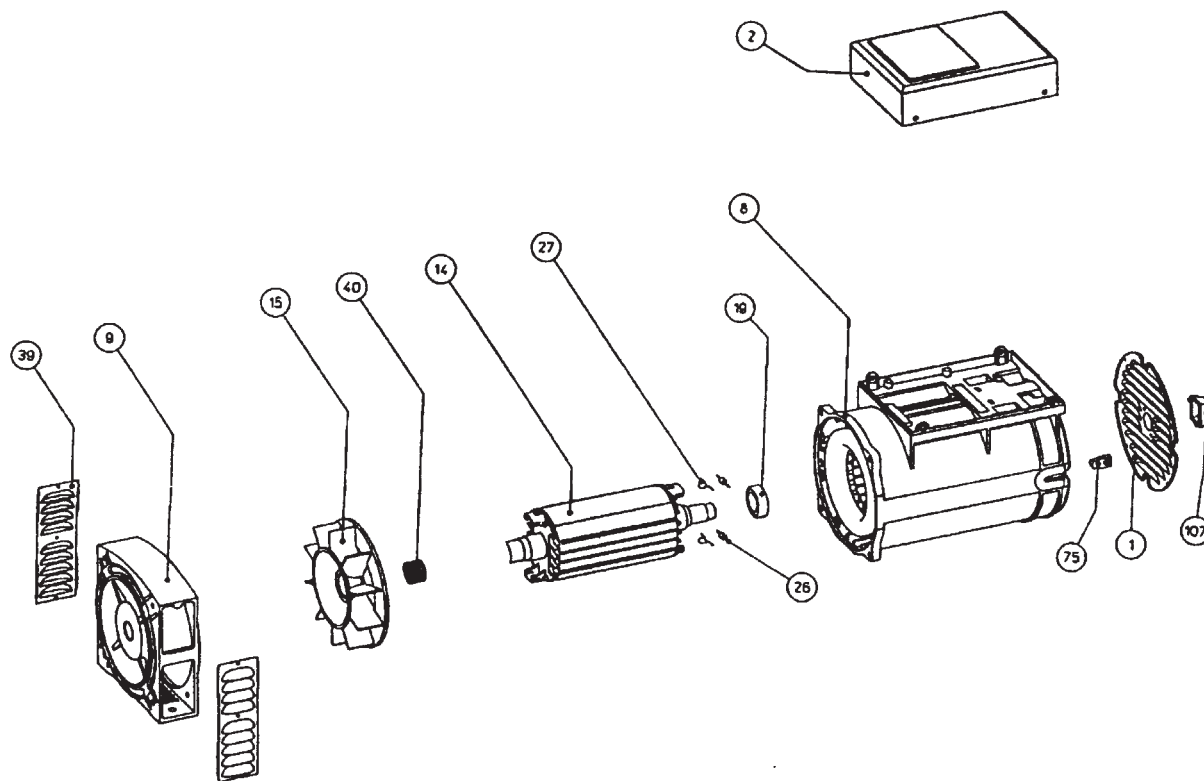


MUFFLER & EXHAUST SYSTEM



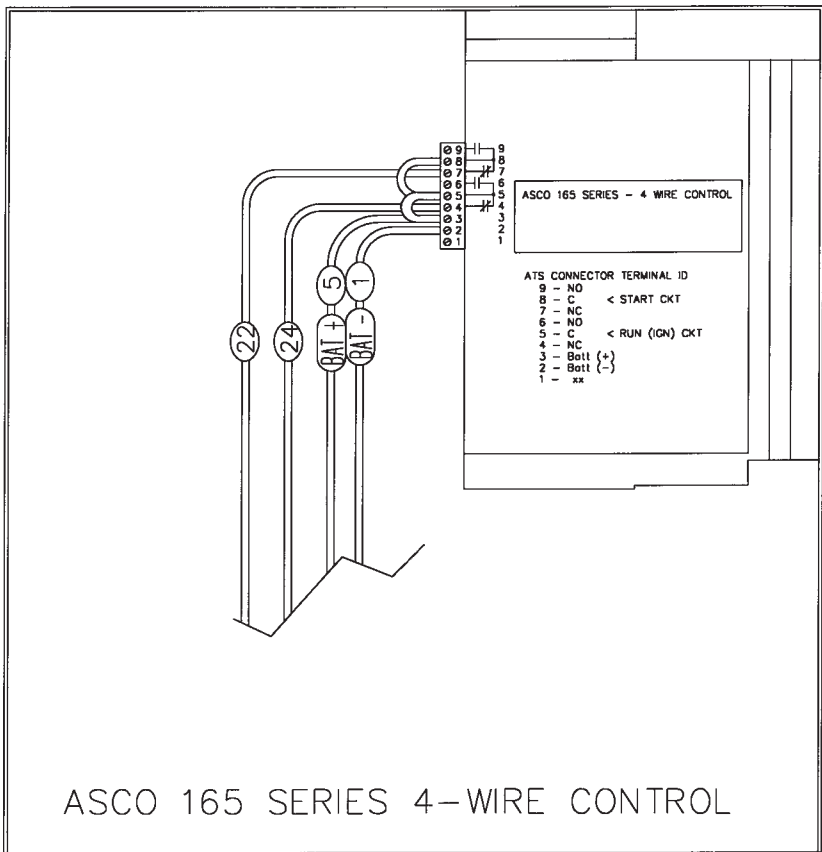
REF#	PART NUMBER	QTY	DESCRIPTION
1	16437-401	1	Right Hand Shield Support
2	16437-402	1	Left Hand Shield Support
3	16438-400	1	Muffler Heat Shield
4	16439-400	1	Tailpipe Heat Shield
5	16412-401	1	Tailpipe Support
6	16442-400	1	Muffler Air Deflector
7	16404-001	1	Exhaust Tailpipe
8	16443-000	1	Heat Shield Extension
9	93489-015	2	Muffler Clamp
10	VHRM4 Code# 621900	1	Honda Muffler Available from Honda Only
11	21698-001	19	#10 x 3/8 Self Tapping Screws
12	16237-001	1	Spark Arrester

GENERATOR ASSEMBLY

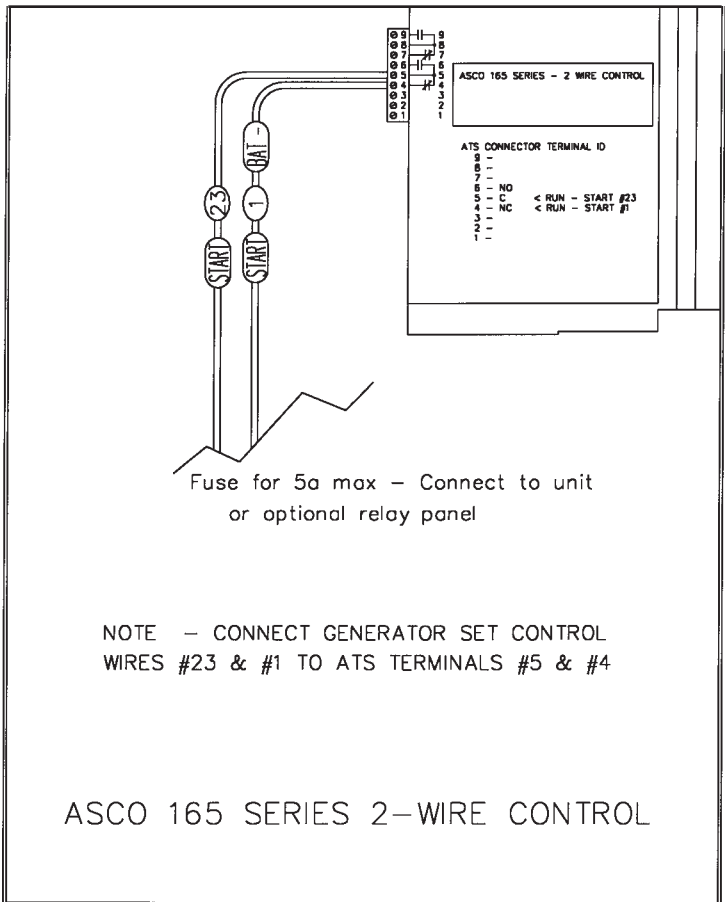


REF	QTY	DESCRIPTION	PART NUMBER
1	1	Terminal Box Adapter	300330-410
2	1	Generator Cover	300322-410
8	1	Stator	N/A*
9	1	Engine Bracket	N/A*
14	1	Rotor	N/A*
15	1	Fan	N/A*
19	1	Bearing	54665-000
26	1	Diode	300323-207
27	1	Varistor	300323-208
39	2	Protection Screen	N/A*
40	1	Tolerance Ring	300323-110
107	1	Rubber Cap	300323-211
NI	2	Capicator 31.5 mf/425 V	300323-112

* These parts are not available as individual items.
They are part of generator part number 351836-1

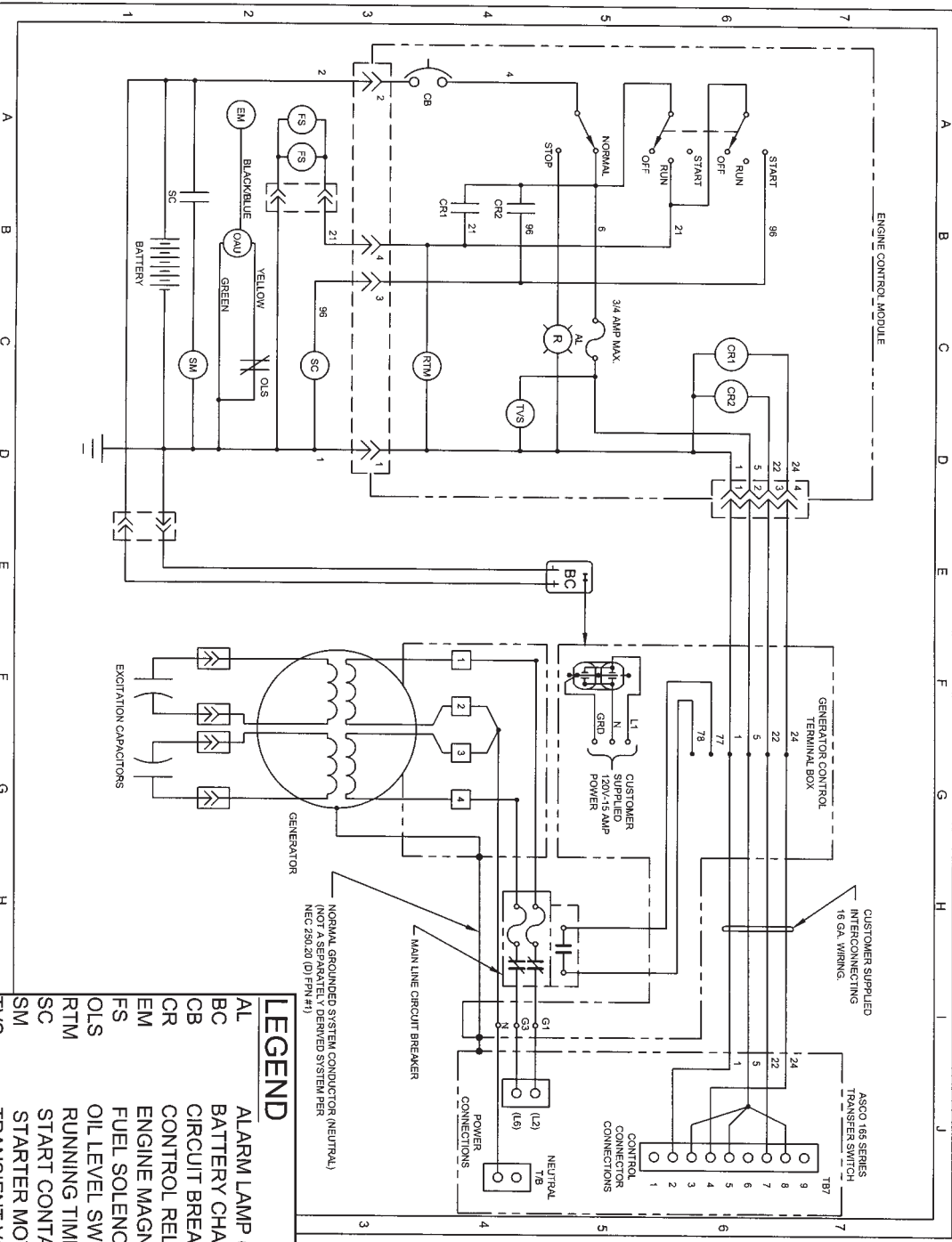


ASCO 165 SERIES 4-WIRE CONTROL

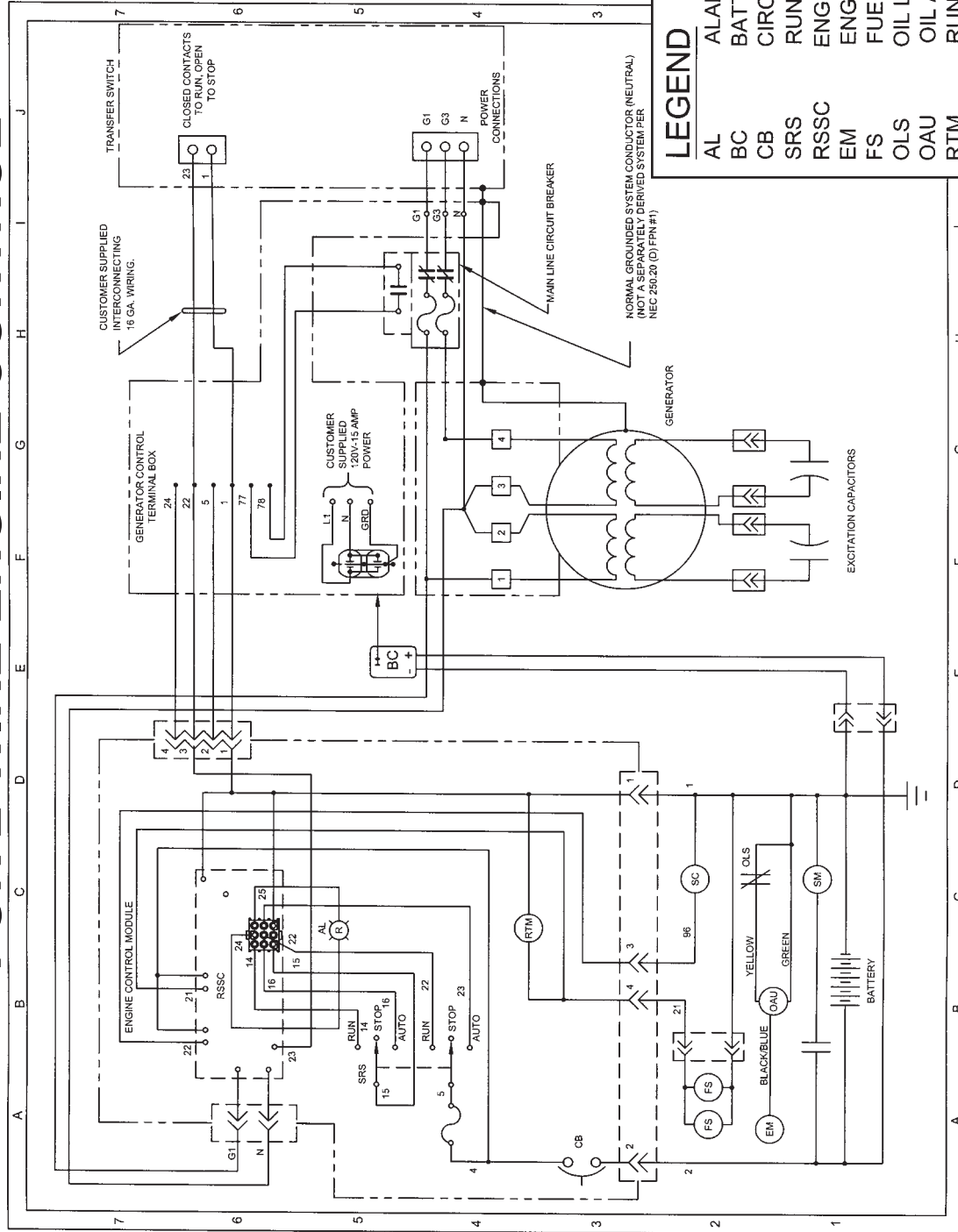


ASCO 165 SERIES 2-WIRE CONTROL

AC AND DC GENERATOR SCHEMATIC FOR 4-WIRE ENGINE CONTROL

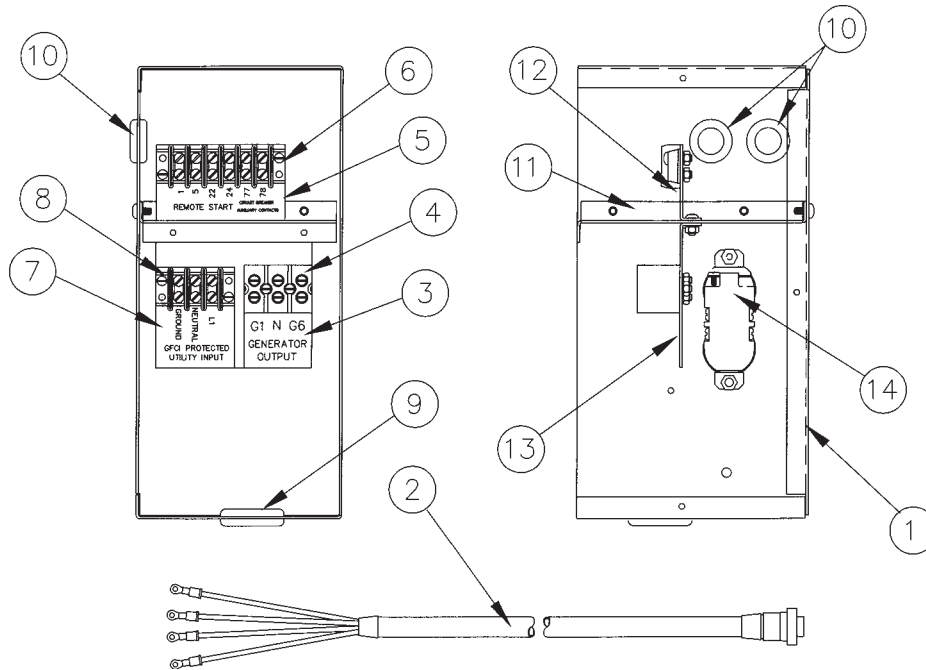


AC AND DC GENERATOR SCHEMATIC FOR 2-WIRE ENGINE CONTROL



LEGEND	
AL	ALARM LAMP (SYSTEM FAILED)
BC	BATTERY CHARGER
CB	CIRCUIT BREAKER
SRS	RUN/STOP/AUTO SWITCH
RSSC	ENGINE CONTROL MODULE
EM	ENGINE MAGNETO
FS	FUEL SOLENOID
OLS	OIL LEVEL SWITCH
OAU	OIL ALERT UNIT
RTM	RUNNING TIME METER
SC	START CONTACTOR
SM	STARTER MOTOR

DC HARNESS AND CONNECTION BOX



REF#	PART NUMBER	QTY	DESCRIPTION
1	300278-413	1	Electrical Connection Box
2	15757-018	1	DC Wiring Harness
3	64576-005	1	AC Output Power Decal
4	51795-000	1	3 Point Terminal Block
5	64576-004	2	Remote Connection Decal
6	80623-000	2	6 Point Terminal Block
7	64576-006	1	Utility Connection Decal
8	80623-006	1	3 Point Terminal Block
9	62486-000	1	Grommet
10	23917-000	2	Grommet
11	300309-402	1	Electrical Box Divider
12	16319-401	1	Terminal Block Mounting Bracket
13	16319-402	1	Terminal Block Mounting Bracket
14	24749-000	1	Duplex Receptacle 15 Amp
NI	300310-402	1	Connection Box Cover

WINGCO INC
 A Division of **DTE** Dyna Technology Inc
 225 South Cordova Avenue
 Le Center MN 56057
 507-357-6831
 www.wincogen.com