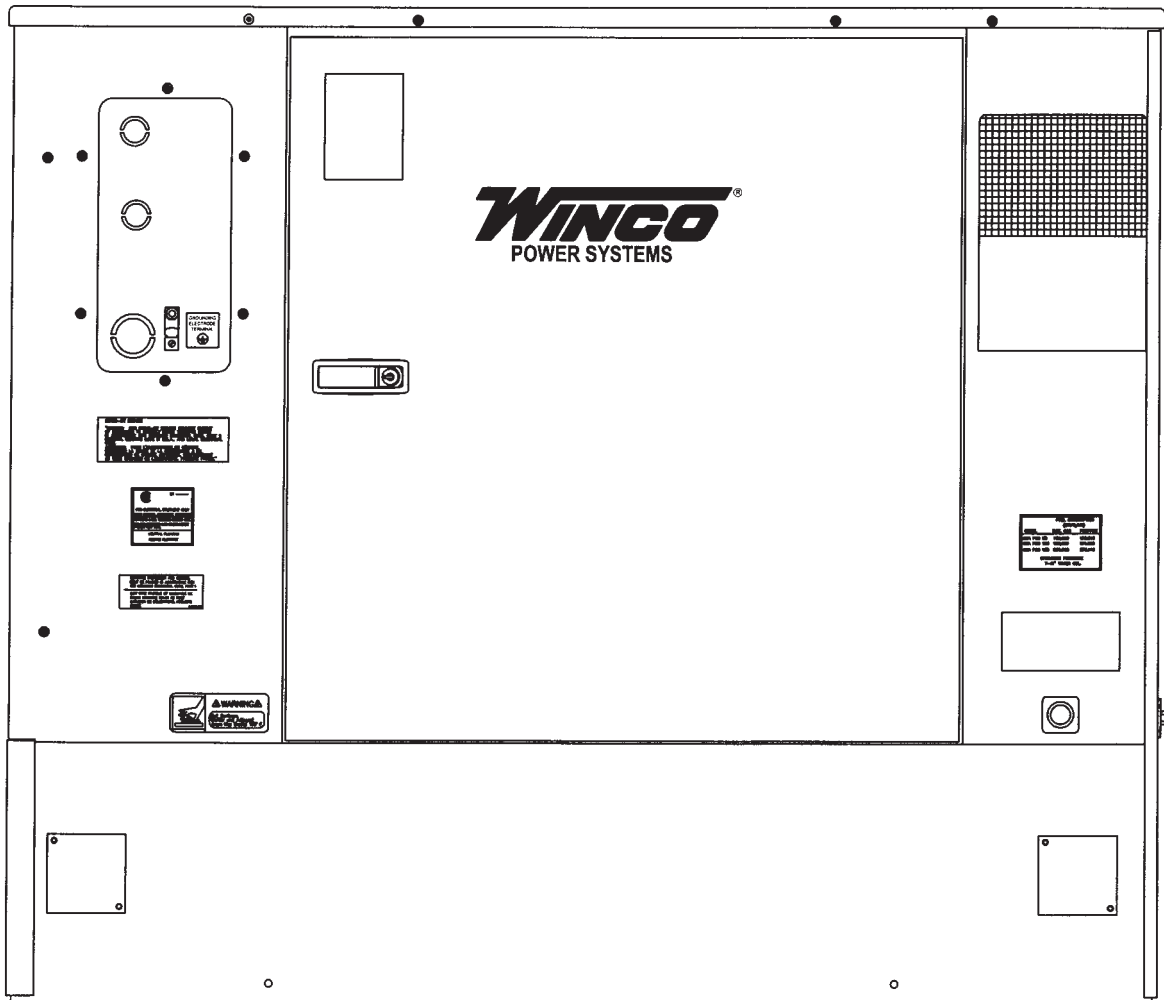
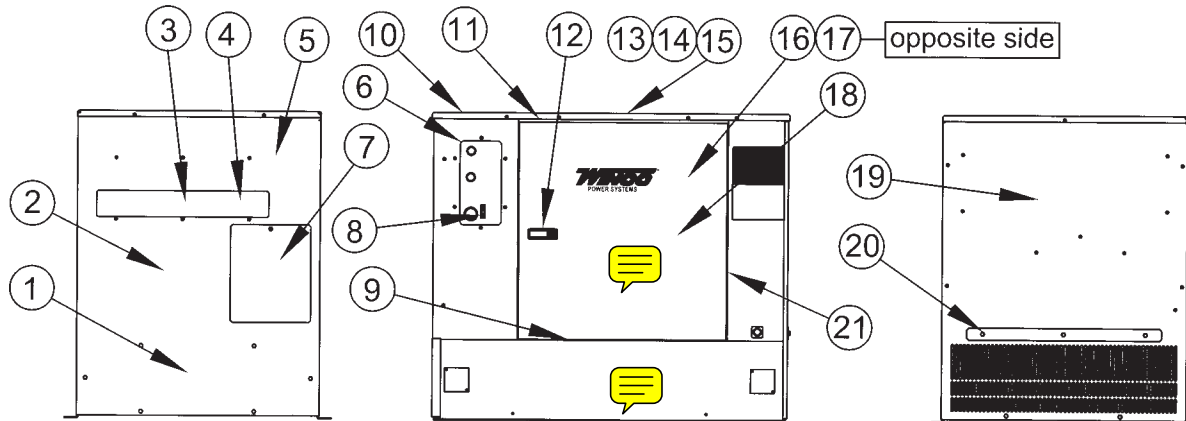


**ILLUSTRATED
PARTS LISTS
WIRING DIAGRAMS**

**PSS15B4W/D
PSS15B2W/D**

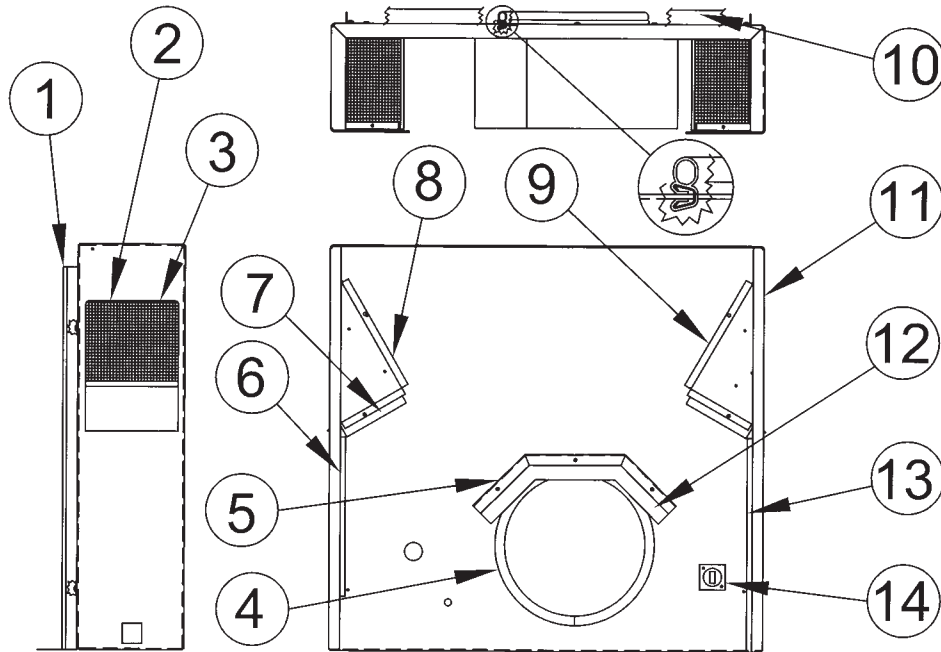


ENCLOSURE ASSEMBLY



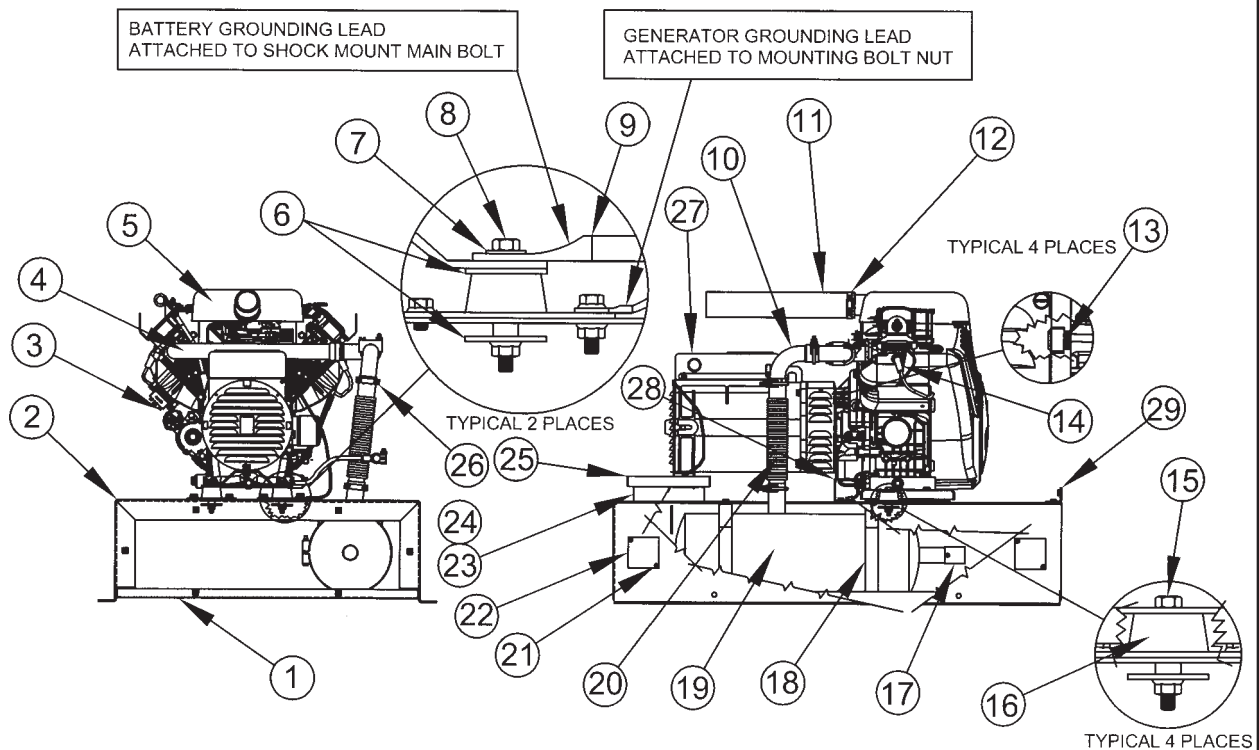
<u>REF #</u>	<u>PART NUMBER</u>	<u>QTY</u>	<u>DESCRIPTION</u>
1	99788-482	1	Foam Part
2	99788-481	1	Foam Part
3	300416-402	1	Grill, Air Inlet
4	300417-402	2	End, Air Inlet
5	15671-407	1	Rear Panel
6	16465-401	1	Conduit Knockout Plate
7	16451-403	1	Battery Access Cover
8	48042-000	1	Ground Lug
9	15681-408	2	Lower Door Sill
10	16422-403	1	Roof
11	16415-403	2	Roof Door Stop
12	95229-005	2	Door Latch
13	99788-484	1	Roof Foam, Rear
14	99788-483	1	Roof Foam, Middle
15	99788-485	1	Roof Foam, Front
16	16360-418	1	Service Door, Right
17	16360-417	1	Service Door, Left
18	99788-479	2	Door Foam
19	16414-400	1	Front Housing
20	16467-402	2	Stiffener, Front Housing
21	98375-011	2	Hinge

ENGINE PARTITION ASSEMBLY



<u>REF #</u>	<u>PART NUMBER</u>	<u>QTY</u>	<u>DESCRIPTION</u>
1	15681-404	2	Door Stop
2	16444-000	8	Screen Keeper
3	91644-008	2	Intake Screen
4	16338-005	1	Air Seal (33 - 3/4")
5	16464-400	1	Blower Inlet Baffle
6	99788-474	1	Foam Part
7	99788-477	2	Foam Part
8	16353-405	1	Right Air Duct
9	16353-404	1	Left Air Duct
10	99788-478	1	Foam Part
11	16413-400	1	Divider
12	99788-476	1	Foam Part
13	99788-475	1	Foam Part
14	16440-401	1	Connector Cover Plate

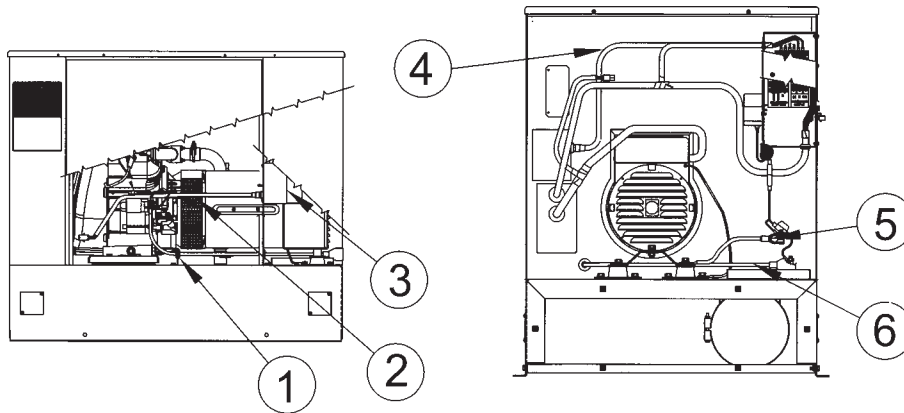
ENGINE AND BASE ASSEMBLY



REF #	PART NUMBER	QTY	DESCRIPTION
1	15637-402	1	Base, Channel
2	16406-401	1	Base
3	16471-001	1	Engine, Briggs and Stratton Model 543277-0078-E1
4	16479-000	1	Engine Exhaust Manifold
5	B&S 841856	1	Air Filter
6	98806-000	6	2" O.D. X .406" I.D. Flat Washer
7	20604-000	2	3/8 - 16 Standard Flat Washer
8	91658-008	2	3/8 - 16 X 2.75 Hex Head Bolt
9	Reference	1	Negative Battery Cable
10	16404-002	2	1.5" 90° Elbow
11	16481-002	1	Hose, 2" I.D. X 14" Long
12	81018-002	1	Hose Clamp
13	91658-001	4	3/8 - 16 X 1 Hex Head Bolt
14	B&S 792015	2	Spark Plug
15	91658-007	4	3/8 - 16 X 2.5 Hex Head Bolt
16	98807-000	6	Shock Mounts
17	16237-001	1	Exhaust Spark Arrestor
18	350264-7	2	Muffler Bands
19	350590-3	1	Muffler

<u>REF #</u>	<u>PART NUMBER</u>	<u>QTY</u>	<u>DESCRIPTION</u>
20	16458-001	1	1.5 " I.D. Flexible Exhaust
21	21698-001	8	#10 X 3/8 Self Tapping Screw
22	300385-411	4	Lifting Hole Cover
23	16026-403	1	Battery Tray Support Channel
24	16026-404	1	Battery Tray Support Bracket
25	300430	1	Battery Tray
26	93489-015	4	1-1/2" Exhaust Clamp
27	16428-002	1	Generator, Mecc Alte Spa Model # S20F-230/A
28	16461-401	1	Base Stiffener
29	16421-401	1	Front Base Stiffener
NI	300323-112	1	Capacitor, 31.5 mf, 425 V
NI	300323-212	2	Capacitor, 35 mf, 450 V
NI	Not Illustrated		

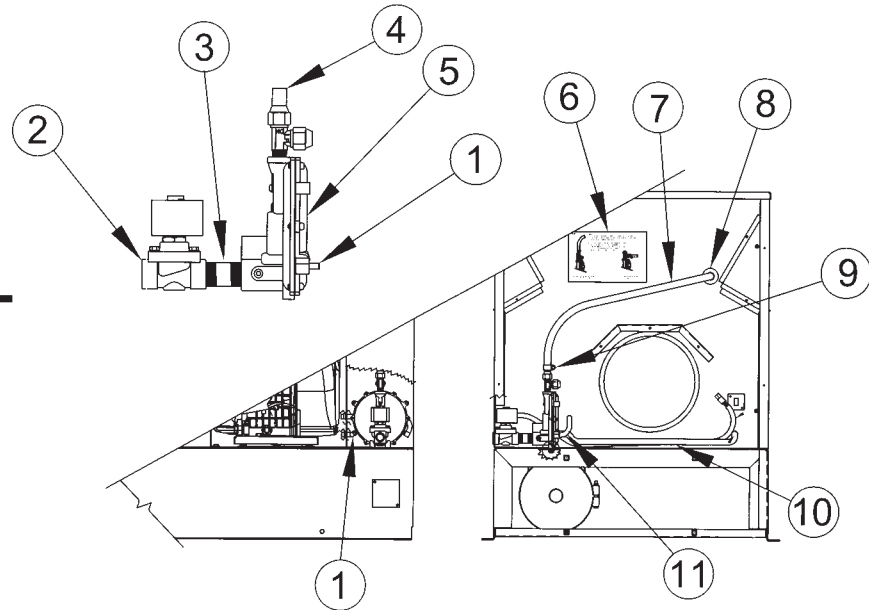
DC CONNECTIONS AND CONTROLS



<u>REF #</u>	<u>PART NUMBER</u>	<u>QTY</u>	<u>DESCRIPTION</u>
1	23917-000	1	Grommet
2	16447-008	1	Engine Control Harness
3	15764-008	1	Engine Control Module, 4 Wire
	15764-007	1*	Engine Control Module, 2 Wire
4	15757-022	1	Remote Harness
5	22097-007	1	Negative Battery Cable
6	22097-001	1	Positive Battery Cable

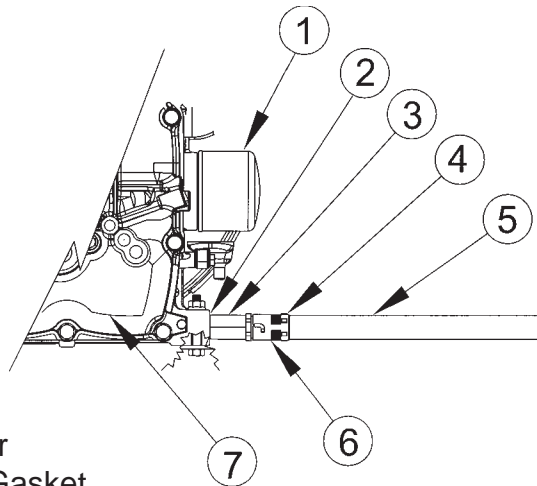
*Optional with 2 Wire Start Kit

NG/LP FUEL SYSTEM



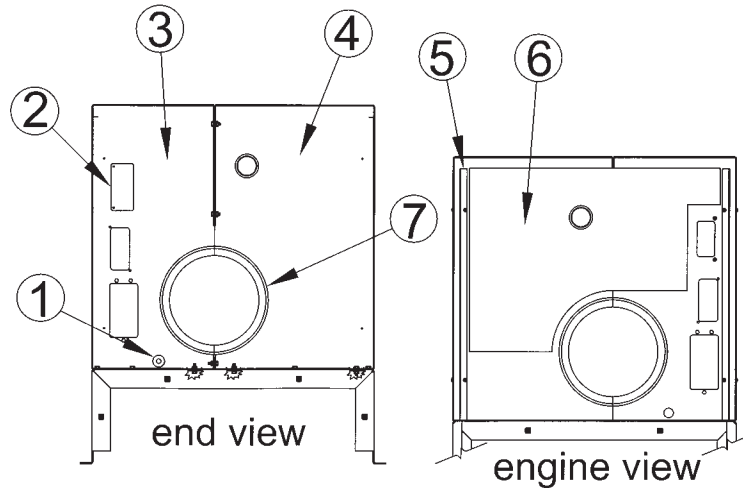
REF #	PART NUMBER	QTY	DESCRIPTION
1	81827-001	2	1/8" Hose Barb, 90°
2	42942-000	1	Fuel Solenoid Valve
3	54074-006	1	3/4" X 1 - 1/2" Pipe Nipple
4	16471-201	1	NG/LP Changeover Fitting
5	55559-002	1	Fuel Regulator
6	97338-006	1	Fuel Changeover Decal
7	23048-007	1	1/2" Hose, 42"
8	62486-000	1	Grommet
9	81018-005	2	Hose Clamp
10	55505-003	1	3/8" Hose, 24"
11	40078-028	1	Hose, 13"

ENGINE OIL FILTER AND DRAIN



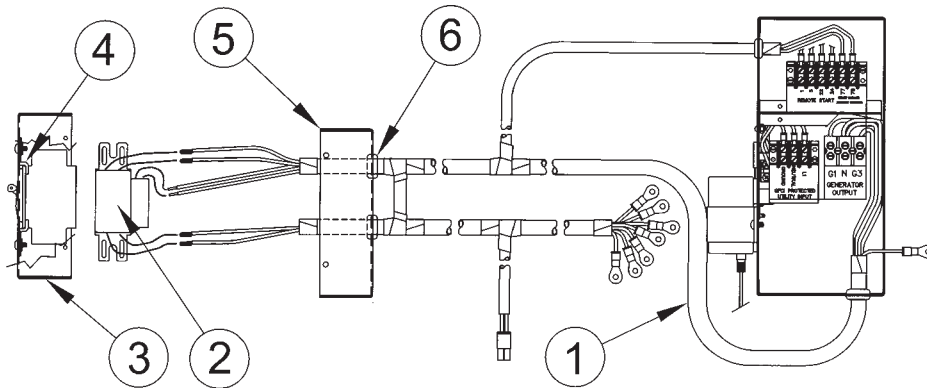
REF #	PART NUMBER	QTY	DESCRIPTION
1	B & S 842921	1	Engine Oil Filter
2	96187-001	1	M14 Oil Drain Gasket
3	300349-1	1	Oil Drain Adapter
4	62999-004	1	Hose Clamp
5	62286-001	1 FT	Hose, 1/2" I.D.
6	300349	1	Oil Drain, 3/8" NPT
7	Reference	1	Engine, Briggs and Stratton Model 543277-0078-E1

GENERATOR DIVIDER ASSEMBLY



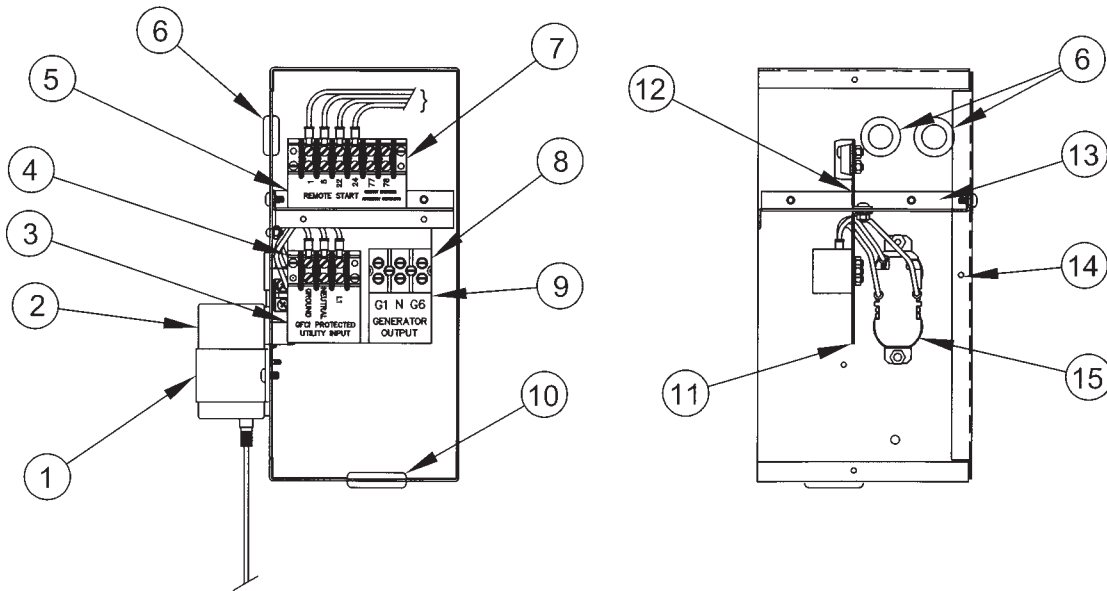
REF #	PART NUMBER	QTY	DESCRIPTION
1	23917-002	2	Grommet
2	16440-400	1	Oil Heater Cover Plate
3	16417-401	1	Divider, Left
4	16416-401	1	Divider, Right
5	15681-412	2	Door Stop
6	99788-480	1	Foam Part
7	15287-014	2	Air Seal

AC WIRING HARNESS & CIRCUIT BREAKER



REF #	PART NUMBER	QTY	DESCRIPTION
1	15757-020	1	AC Power Harness
2	64898-003	1	60 A, 240 V, Circuit Breaker
3	99876-400	1	Circuit Breaker Box
4	64045-012	2	Retaining Strap
5	99876-401	1	Circuit Breaker Box Cover
6	16302-000	2	Grommet

CUSTOMER CONNECTION BOX



<u>REF #</u>	<u>PART NUMBER</u>	<u>QTY</u>	<u>DESCRIPTION</u>
1	300308-410	1	Hold Down Strap
2	16287-000	1	Battery Tender
3	64576-006	1	Utility Connection Decal
4	80623-005	1	3 Point Terminal Block
5	64576-004	1	Remote Connection Decal
6	23917-000	2	Grommet
7	80623-000	1	6 Point Terminal Block
8	51795-000	1	3 Point Terminal Block
9	64576-005	1	AC Output Power Decal
10	62486-000	1	Grommet
11	16319-402	1	Terminal Block Mounting Bracket
12	16319-401	1	Terminal Block Mounting Bracket
13	300309-402	1	Electrical Box Divider
14	300278-413	1	Electrical Connection Box
15	24749-000	1	Duplex Receptacle 15 Amp
NI	300310-402	1	Connection Box Cover

PROVISION OF CLOSED CONTACTS WHEN
CIRCUIT BREAKER IS IN OFF POSITION

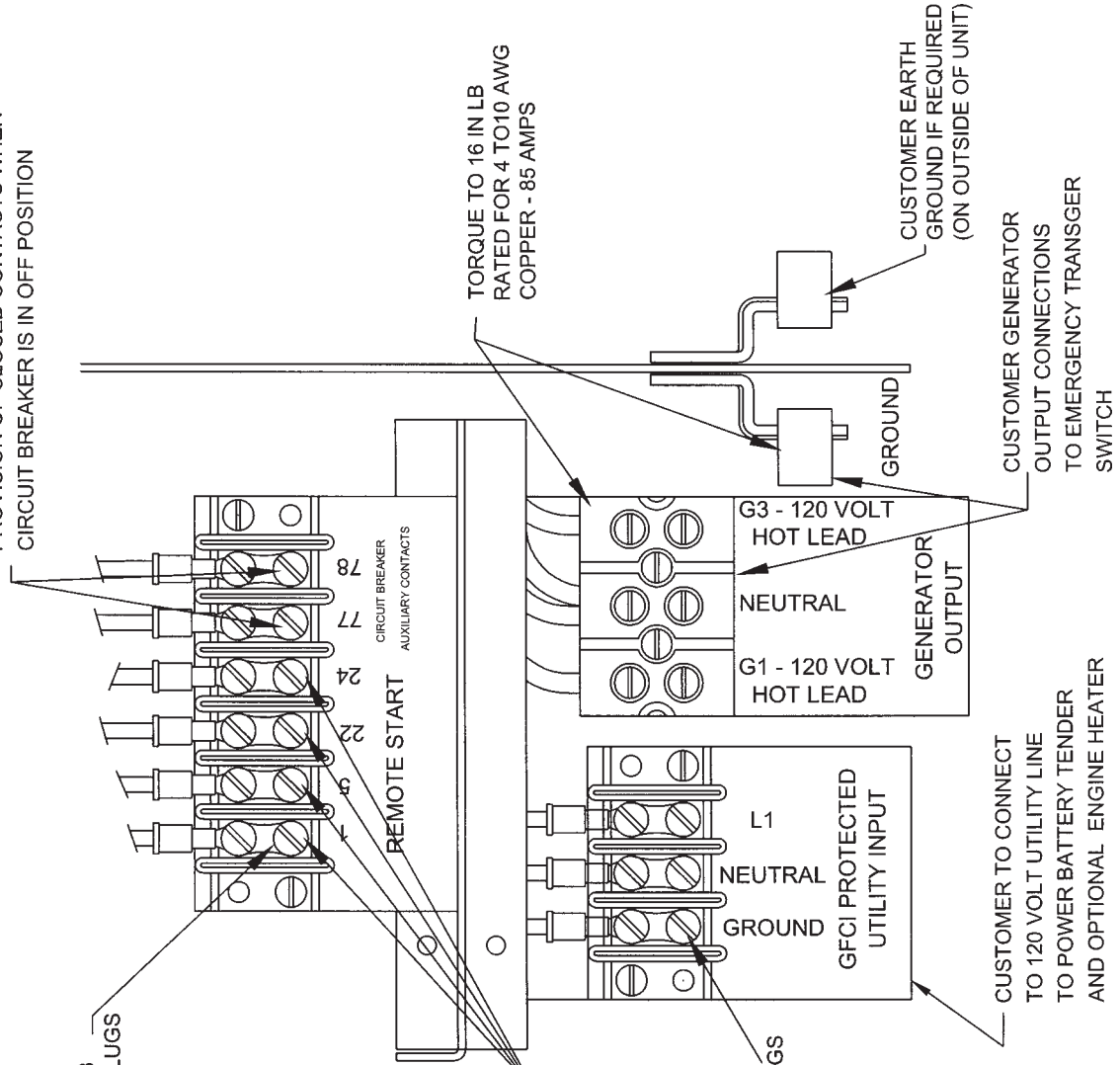
TORQUE SCREWS TO 9.6 IN LB
14 TO 16 AWG COPPER WITH LUGS

TORQUE TO 16 IN LB
RATED FOR 4 TO 10 AWG
COPPER - 85 AMPS

CUSTOMER DC CONNECTIONS
TO 4-WIRE AUTOMATIC
TRANSFER SWITCH

TORQUE SCREWS TO 9.6 IN LB
14 TO 16 AWG COPPER WITH LUGS

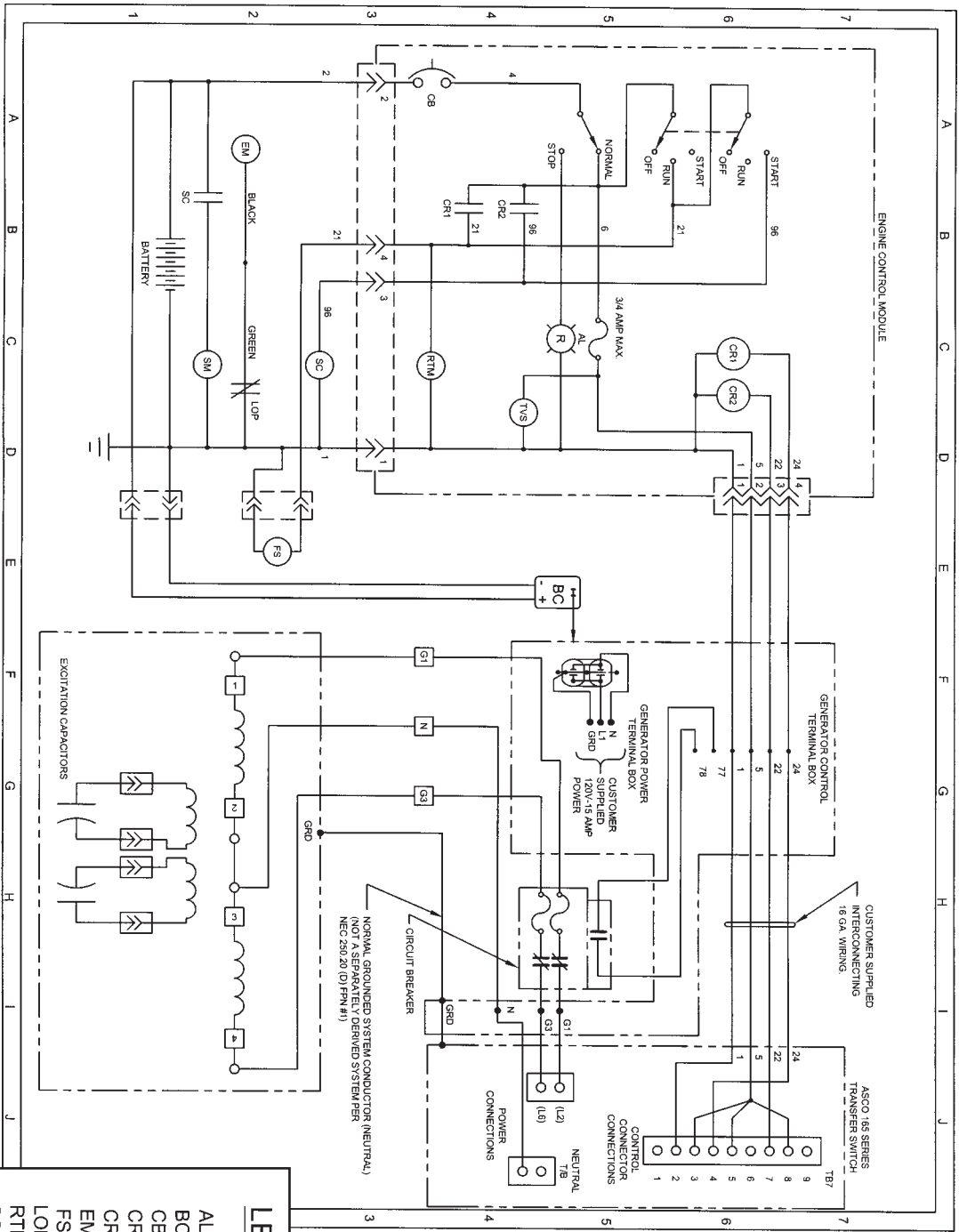
**CUSTOMER AC AND DC
CONNECTION POINTS
TORQUE SPECIFICATIONS
FOR CONNECTIONS**



CUSTOMER TO CONNECT
TO 120 VOLT UTILITY LINE
TO POWER BATTERY TENDER
AND OPTIONAL ENGINE HEATER

CUSTOMER GENERATOR
OUTPUT CONNECTIONS
TO EMERGENCY TRANSFER
SWITCH

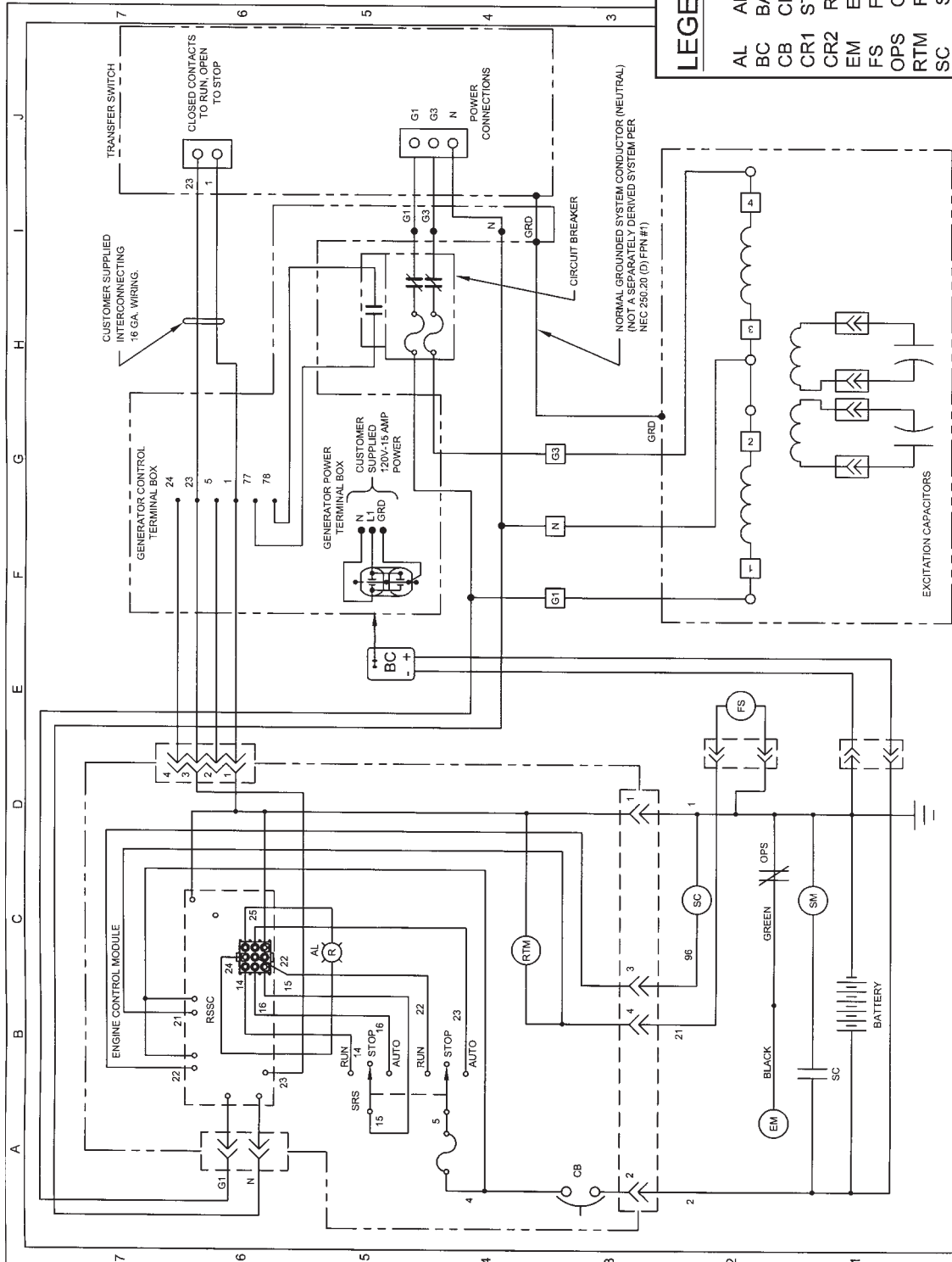
AC AND DC GENERATOR WIRING DIAGRAM



LEGEND

- AL ALARM LAMP (SYSTEM OFF)
- BC BATTERY FLOAT CHARGER
- CB CIRCUIT BREAKER
- CR1 START CONTROL RELAY
- CR2 RUN CONTROL RELAY
- EM ENGINE MAGNETO
- FS FUEL SOLENOID
- LOP LOW OIL PRESSURE SWITCH
- RTM RUNNING TIME METER
- SC START CONTACTOR
- SM STARTER MOTOR
- TVS TRANSIENT VOLTAGE SUPPRESSOR

AC AND DC GENERATOR WIRING DIAGRAM



LEGEND

- AL ALARM LAMP (SYSTEM OFF)
- BC BATTERY FLOAT CHARGER
- CB CIRCUIT BREAKER
- CR1 START CONTROL RELAY
- CR2 RUN CONTROL RELAY
- EM ENGINE MAGNETO
- FS FUEL SOLENOID
- OPS OIL PRESSURE SWITCH
- RTM RUNNING TIME METER
- SC START CONTACTOR
- SM STARTER MOTOR
- TVS TRANSIENT VOLTAGE SUPPRESSOR

WINCO INC[®]
A Division of DTE Dyna Technology Inc
225 South Cordova Avenue
Le Center MN 56057
507-357-6831