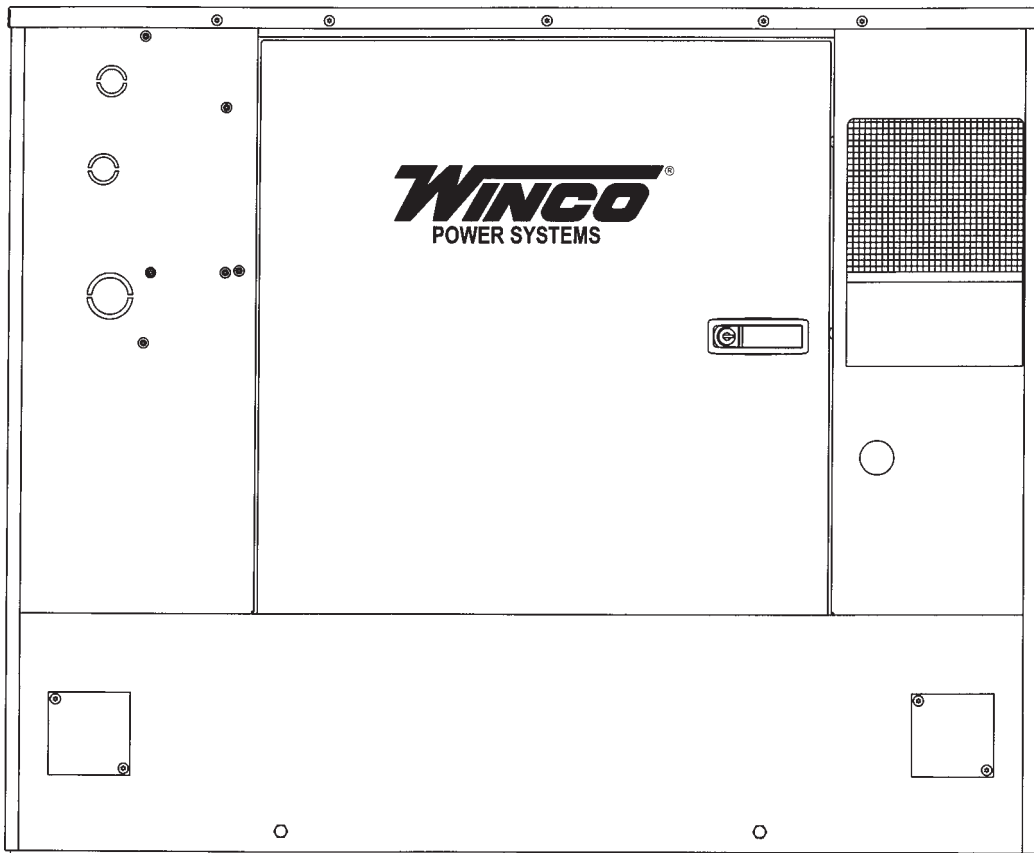
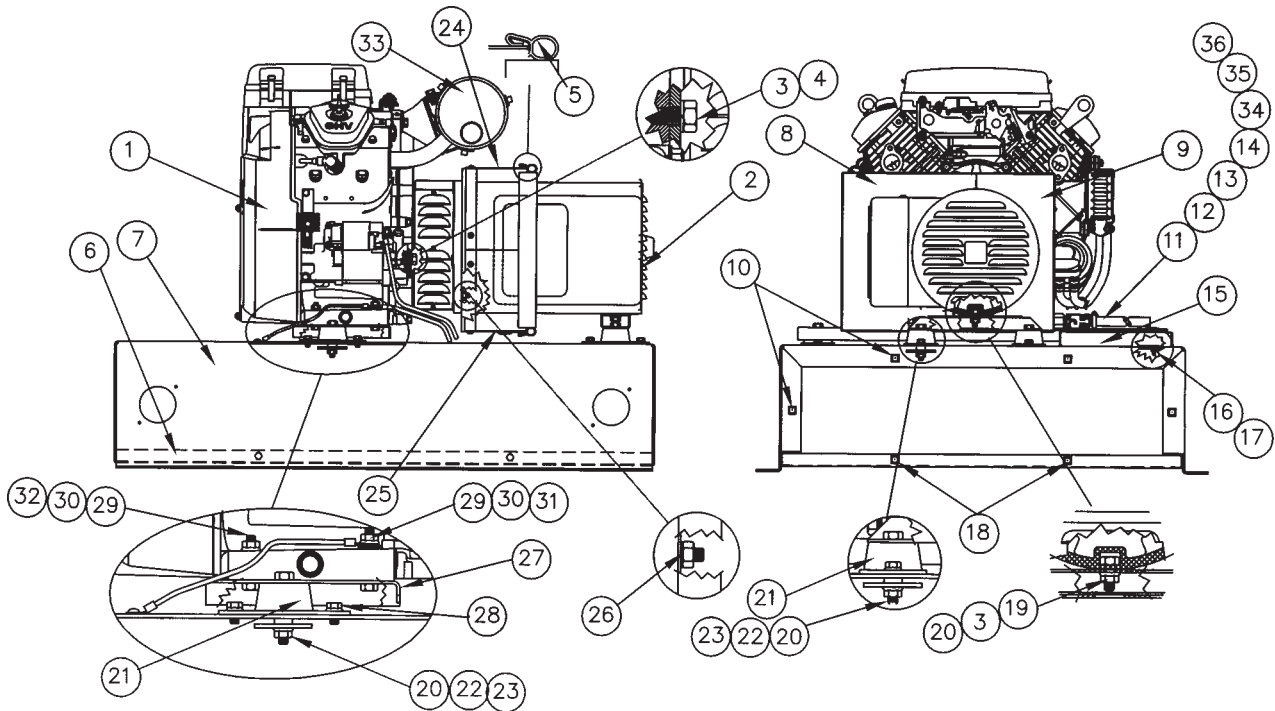


**ILLUSTRATED  
PARTS LISTS  
WIRING DIAGRAMS**

**PSS12H2W/D  
PSS12H4W/D**



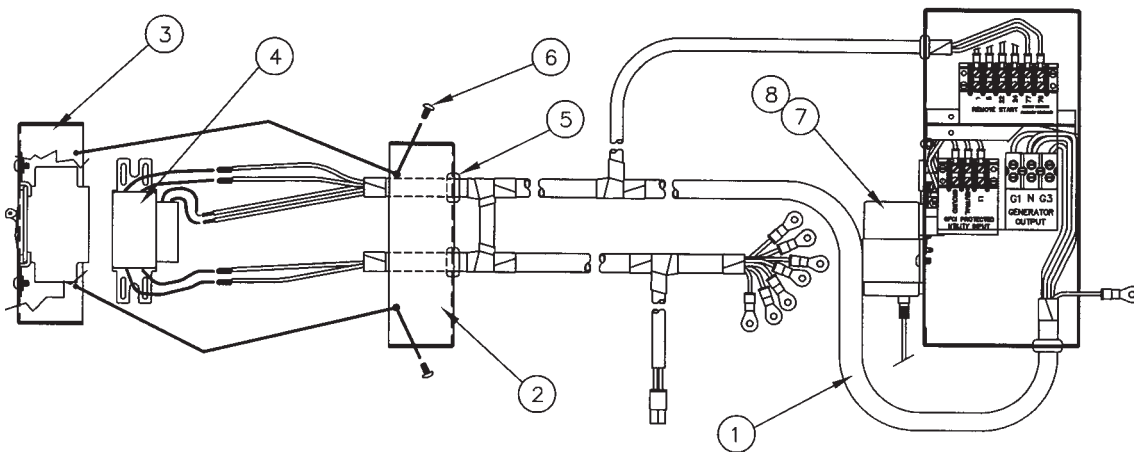
# ENGINE GENERATOR ASSEMBLY



<u>REF#</u>	<u>PART NUMBER</u>	<u>QTY</u>	<u>DESCRIPTION</u>
1	99780-000 GX 670VXC2	1	Engine, Honda Code 637220
2	351836-1	1	Generator Assembly (S20FS-160)
3	91658-001	5	3/8 - 16 X 1" Hex Head Bolt
4	481-000	4	3/8 Lockwasher
5	15287-000	1	Air Seal 52"
6	15637-403	1	Base Channel
7	16429-000	1	Base
8	16426-403	1	Generator Duct Adapter LH
9	16426-401	1	Generator Duct Adapter RH
10	92495-003	8	1/4 - 20 Retained Nut (10 GA)
11	300349-1	1	Oil Drain Adapter
12	300349	1	Oil Drain Valve
13	62886-001	1	1/2" ID Hose (12" Long)
14	62999-004	1	Hose Clamp
15	16358-403	1	Battery Tray (7" X 8.5")
16	95568-000	2	#10 - 24 Threadstud
17	99671-000	2	#10 - 24 Flange Nut
18	92495-000	8	1/4 - 20 Retained Nut (16GA)
19	16430-000	1	Generator Support Channel
20	16250-000	5	3/8 - 16 Flange Nut

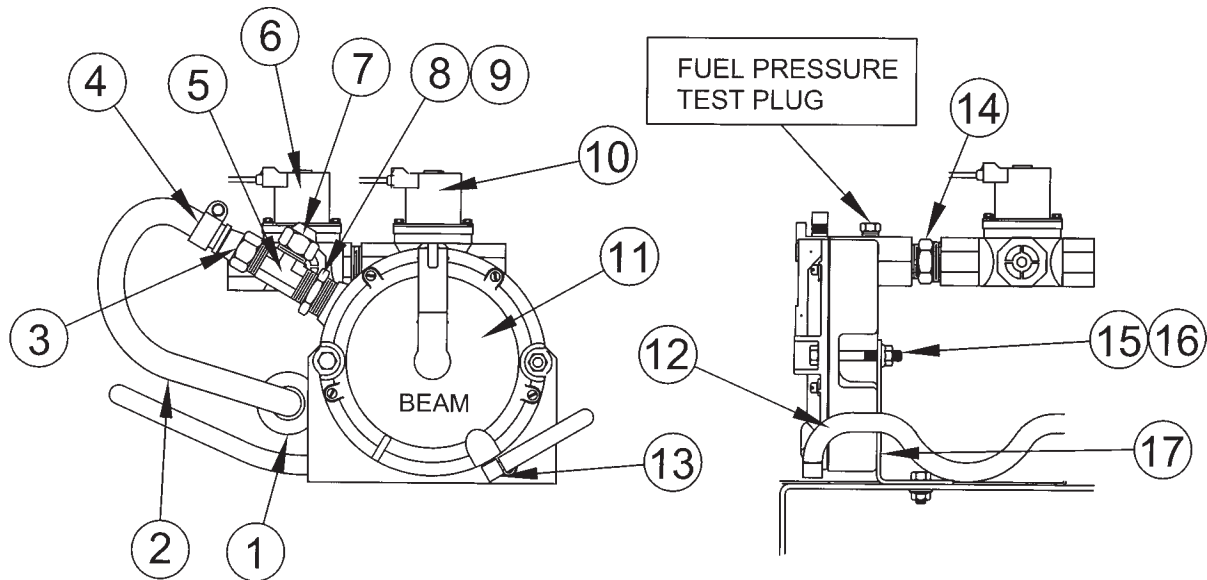
<u>REF#</u>	<u>PART NUMBER</u>	<u>QTY</u>	<u>DESCRIPTION</u>
21	98807-000	4	Shockmount
22	91658-006	4	3/8 – 16 X 2½ Hex Head Bolt
23	98806-000	4	3/8 ID X 2 OD Flat Washer
24	16441-401	1	Top Duct Adapter Extension
25	16441-403	1	Bottom Duct Adapter Extension
26	16446-000	4	M8-1.25 Nylok Hex Nut
27	16411-401	1	Engine Support Channel
28	62173-000	8	5/16 – 18 X ½ Self Tapping Screw
29	526-000	4	5/16 Flat Washer
30	16249-000	4	5/16 – 18 Flange Nut
31	9416-000	2	5/16 – 18 X 1¾ Hex Head Bolt
32	468-000	2	5/16 – 18 X 1½ Hex Head Bolt
33	16067-003	REF	Honda Muffler #VHRM4
34	99966-000	1	Adapter 1/2" to 3/8" NPT
35	99967-000	1	Tee Fitting 3/8" NPT
36	15808-004	1	Hil Oil Temperature Switch

## AC WIRING HARNESS & CIRCUIT BREAKER



<u>REF#</u>	<u>PART NUMBER</u>	<u>QTY</u>	<u>DESCRIPTION</u>
1	15757-017	1	AC Wiring Harness
2	99876-401	1	Circuit Breaker Box Cover
3	99876-402	1	Circuit Breaker Box
4	64898-002	1	Circuit Breaker 50A 240 V
5	16302-000	2	Grommet
6	21698-001	2	#10 x 3/8 Self Tapping Screw
7	16287-000	1	Battery Trickle Charger
8	300308-10	1	Battery Charger Hold Down Strap

# LP/NG FUEL SYSTEM

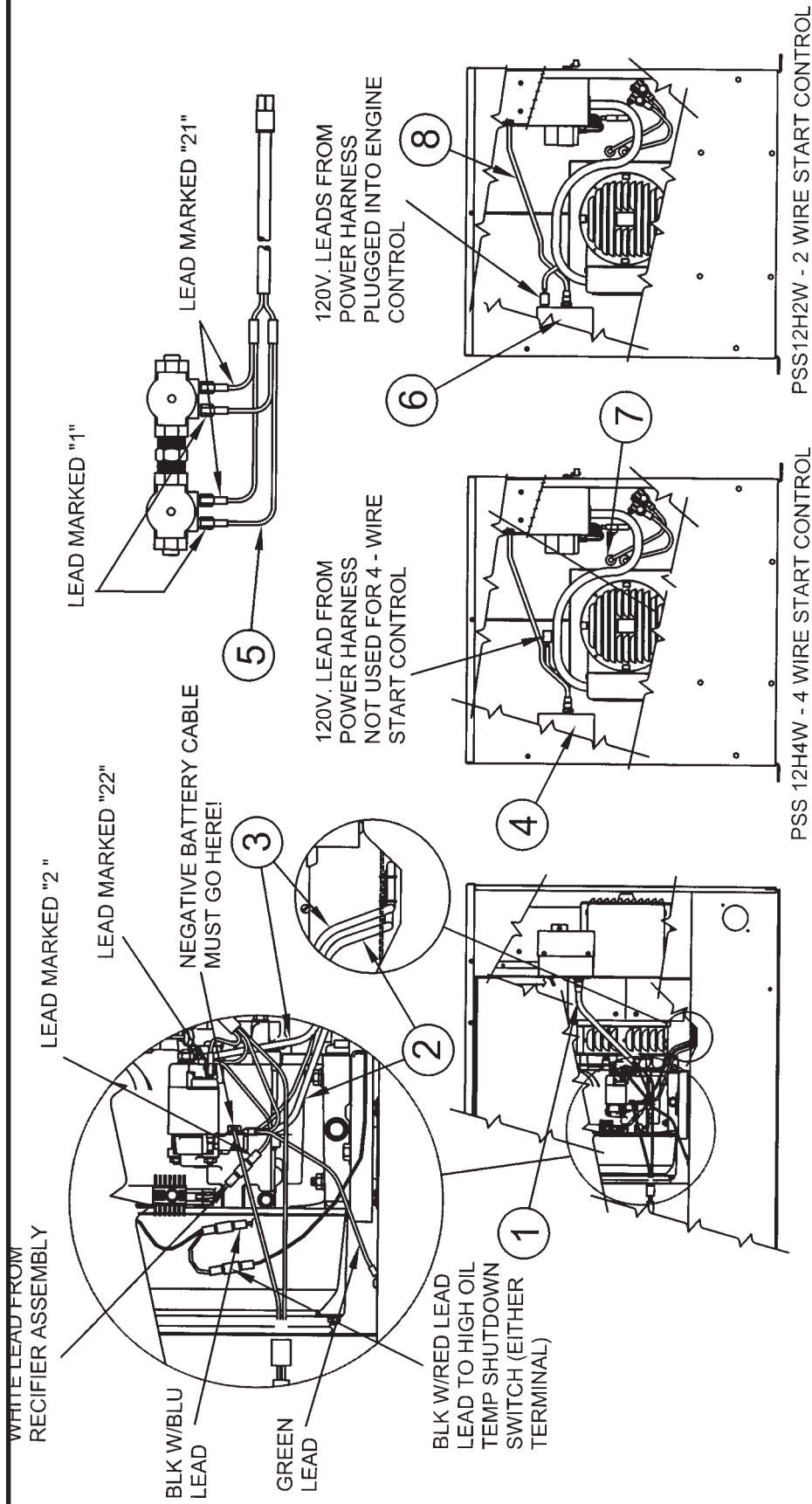


<u>REF#</u>	<u>PART NUMBER</u>	<u>QTY</u>	<u>DESCRIPTION</u>
1.	62486-000	1	Grommet
2.	AH1-30634-1*	1	Fuel Hose 1/2" X 40" with 1/2" Female
3.	J1-30655-003*	1	Orifice Insert 6.7 mm NG
4.	81018-008	1	Hose Clamp
5.	F4-30367*	1	Tee Fitting
6.	16331-404	1	Fuel Solenoid FL-50046-002*
7.	J1-30655-002*	1	Orifice Insert 5.4 mm LP
8.	C2-30035*	1	Cap Nut 1/2" SAE Flare
9.	F4-30635*	1	Fitting 3/4" NPT X 1/2" NPT Bushing
10.	16331-405	1	Fuel Solenoid FL-50046-005*
11.	16331-401	1	Regulator T202ANL-E-1*
12.	40078-024	1	1/4" ID Hose (22.75")
13.	81827-001	1	Fuel Barb 90°
14.	F4-30636*	1	3/4" x 1/2" NPT Reducer Nipple
15.	20544-001	2	1/4" - 20 X 2 1/4" Hex Head Bolt
16.	16248-000	2	1/4" - 20 Flange Nut
17.	16433-400	1	Mounting Bracket
NI	97338-005	1	Fuel Changeover Decal

NI Not Illustrated

\* These are IMPCO Carburetion Inc. part numbers. These parts are only available as A kit from Winco Inc. The Kit P/N is 16331-003, individual parts may be available through IMPCO.

# DC CONNECTIONS & CONTROLS



**REF# PART NUMBER QTY DESCRIPTION**

- 1. 16447-001 1 DC Engine Harness
- 2. 22097-008 1 Negative (-) Battery Cable
- 3. 22097-001 1 Positive (+) Battery Cable
- 4. 15764-408 1 Engine Control Module (4W)
- 5. 15757-010 1 Fuel Solenoid Harness

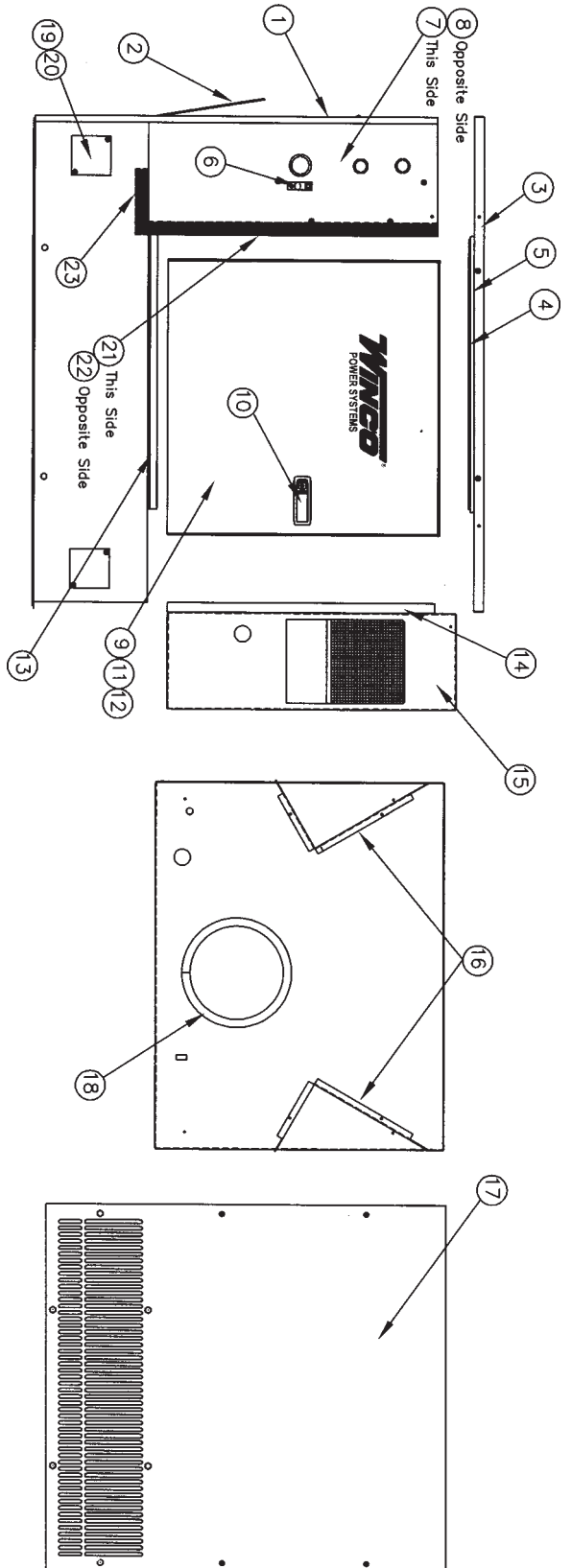
**REF# PART NUMBER QTY DESCRIPTION**

- 6. 15764-407 1 Engine Control Module (2W)
- 7. 23917-002 2 Grommet
- 8. 15757-018 1 DC Terminal Box Harness
- NI 16145-000 1 Battery Cable Terminal Cover
- NI 95901-002 1 Batter Cable Positive Post Cover
- NI Not Illustrated

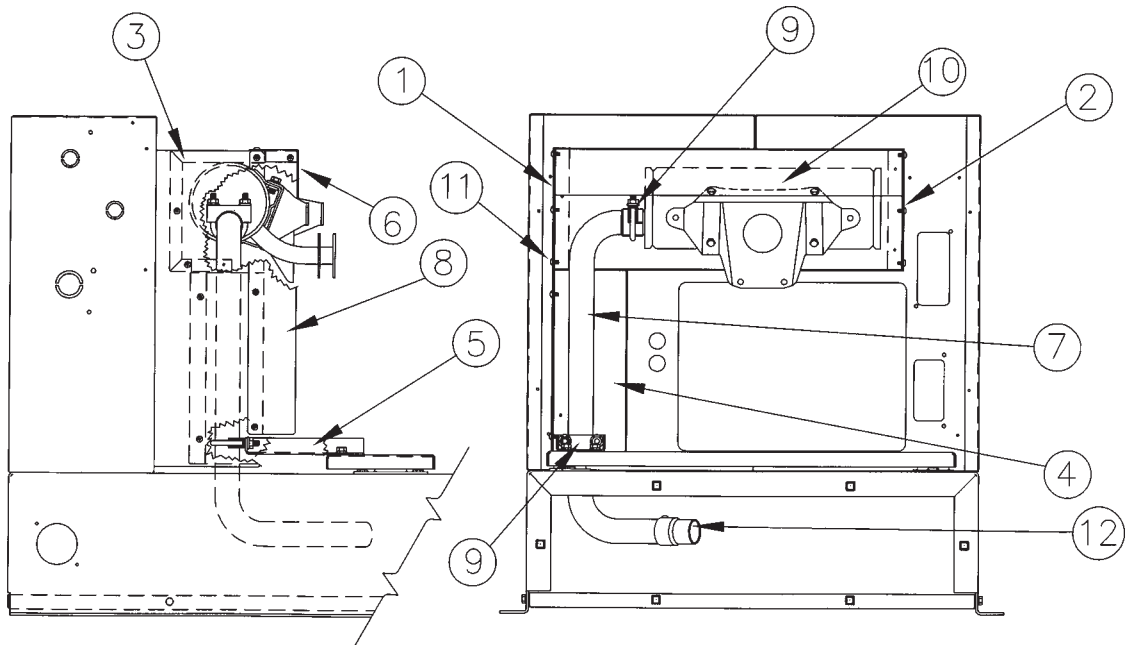
# ENCLOSURE ASSEMBLY

REF#	PART NUMBER	QTY	DESCRIPTION
1	15671-404	1	Gen End Panel
2	16451-400	1	Battery Access Door
3	16334-412	1	Roof - Complete w/Foam & Stop
4	99788-469	1	Foam - Included W/Roof
5	16415-401	1	Top Door Stop - Incl. W/Roof
6	48042-000	1	Ground Lug
7	16434-404	1	Right Side Panel
8	16434-405	1	Left Side Panel
9	99785-414	2	Door Complete
10	95229-005	2	Latch Assembly
11	16424-401	2	Door Foam - Included W/Door
12	98375-010	2	Hinge - Included W/Door

13	15681-407	2	Door Stop - Bottom
14	15681-405	2	Door Stop - Side
15	16413-403	1	Divider Engine Compartment
16	16445-400	2	Air Inlet Duct Assembly
17	16414-401	1	Engine End Panel
18	16338-004	1	Air Seal 26-3/4" Long
19	21698-001	40	Self Tapping Screw #10 x 3/8"
20	16361-402	4	Lifting Hole Cover
21	99788-473	1	Generator Divider Foam (RH)
22	99788-471	1	Generator Divider Foam (LH)
23	99788-472	1	Base Insulation Foam

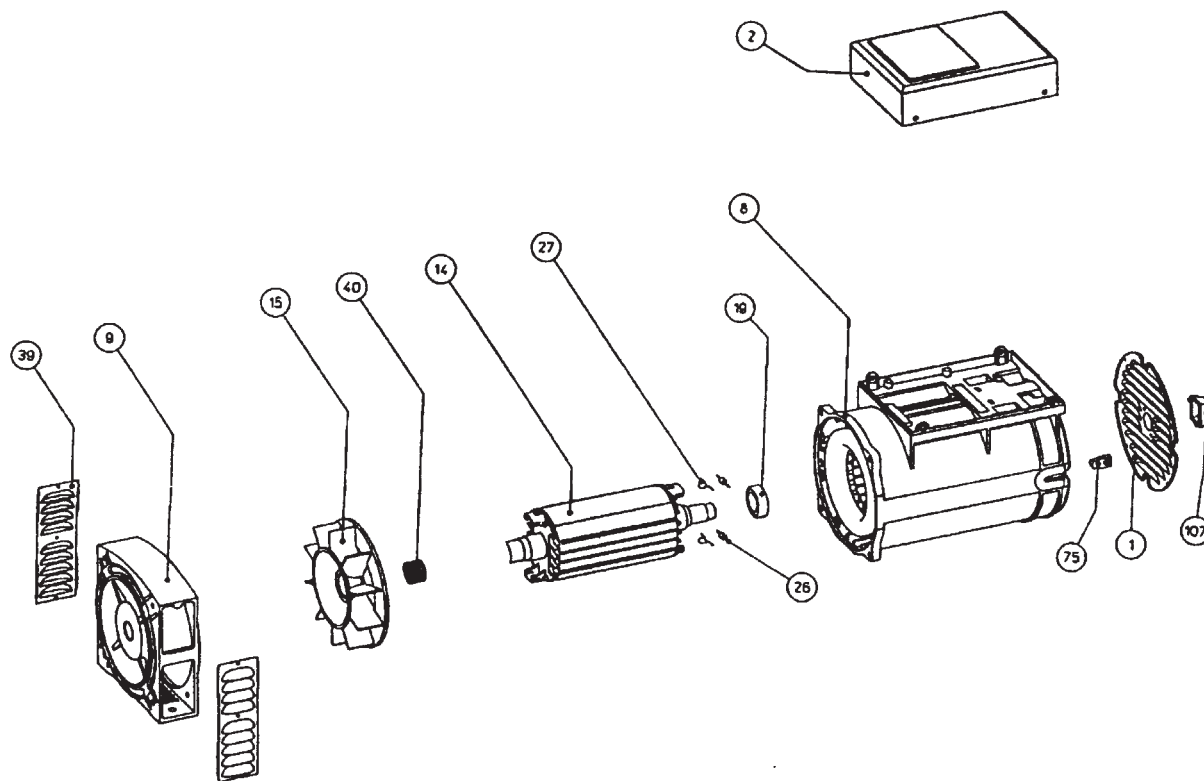


## MUFFLER & EXHAUST SYSTEM



<u>REF#</u>	<u>PART NUMBER</u>	<u>QTY</u>	<u>DESCRIPTION</u>
1	16437-401	1	Right Hand Shield Support
2	16437-402	1	Left Hand Shield Support
3	16438-400	1	Muffer Heat Shield
4	16439-400	1	Tailpipe Heat Shield
5	16412-401	1	Tailpipe Support
6	16442-400	1	Muffer Air Deflector
7	16404-001	1	Exhaust Tailpipe
8	16443-000	1	Heat Shield Extension
9	93489-015	2	Muffer Clamp
10	VHRM4 Code# 621900	1	Honda Muffer Available from Honda Only
11	21698-001	19	#10 x 3/8 Self Tapping Screws
12	16237-001	1	Spark Arrestor

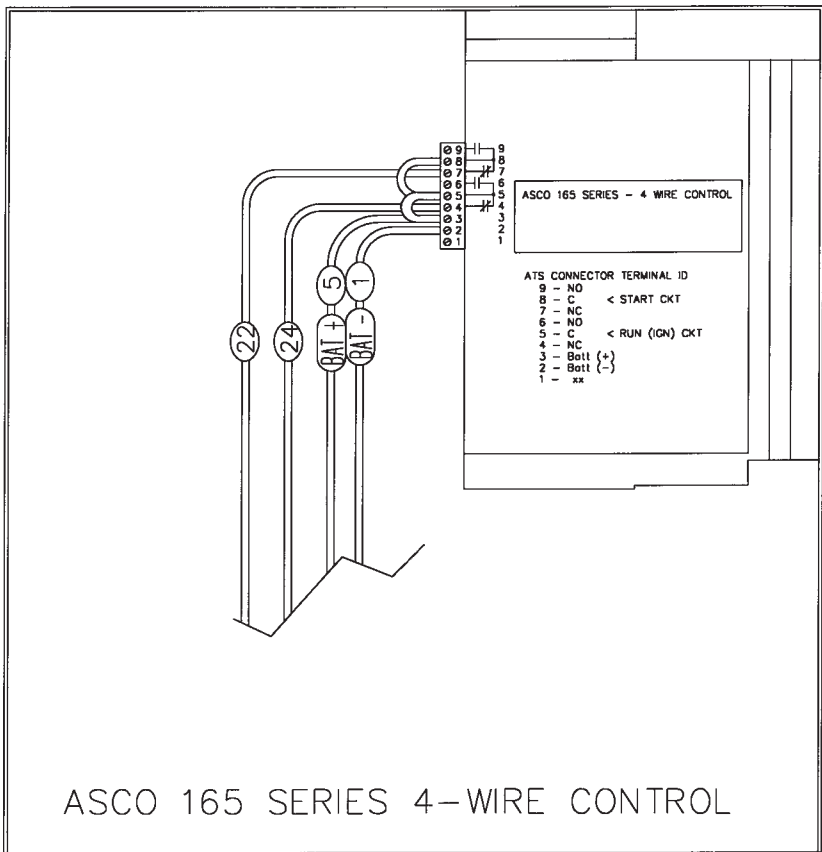
# GENERATOR ASSEMBLY



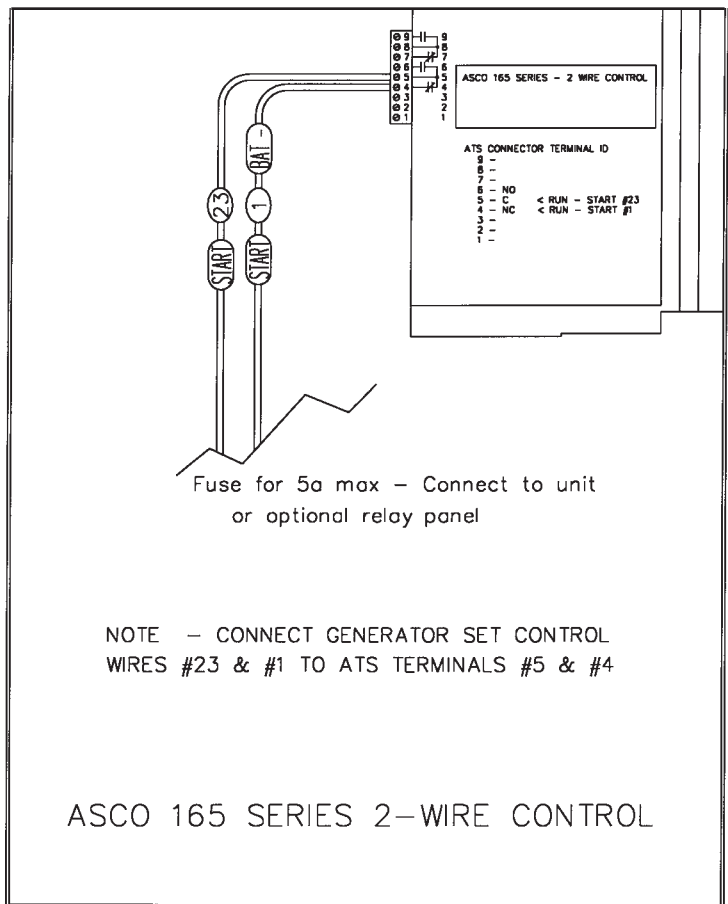
<u>REF</u>	<u>QTY</u>	<u>DESCRIPTION</u>	<u>PART NUMBER</u>
1	1	Terminal Box Adapter	300330-410
2	1	Generator Cover	300322-410
8	1	Stator	N/A*
9	1	Engine Bracket	N/A*
14	1	Rotor	N/A*
15	1	Fan	N/A*
19	1	Bearing	54665-000
26	1	Diode	300323-207
27	1	Varistor	300323-208
39	2	Protection Screen	64857-006
40	1	Tolerance Ring	300323-210
107	1	Rubber Cap	300323-211
NI	2	Capicator 31.5 mf/425 V	300323-112

\* These parts are not available as individual items.  
They are part of generator part number 351836-1

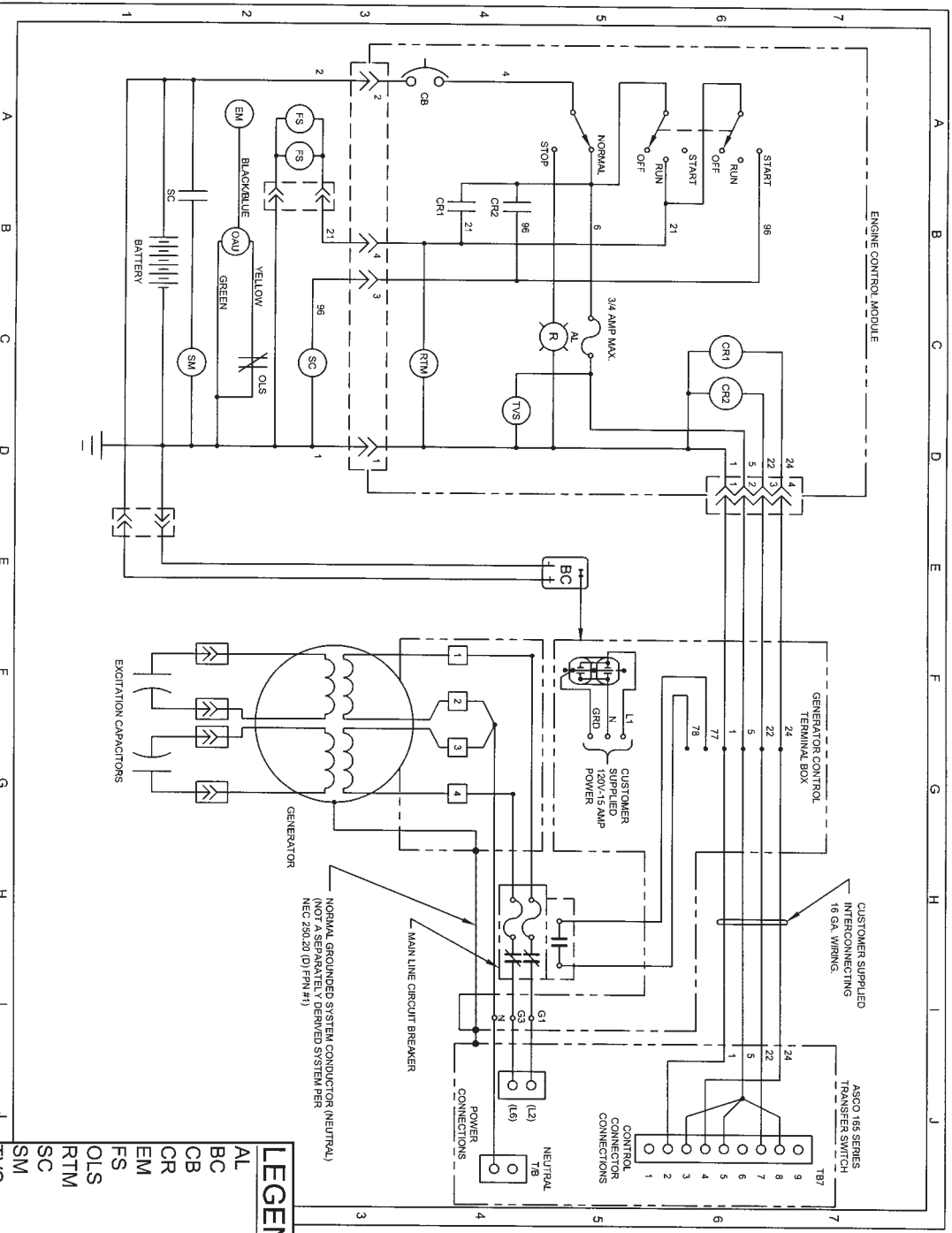




ASCO 165 SERIES 4-WIRE CONTROL



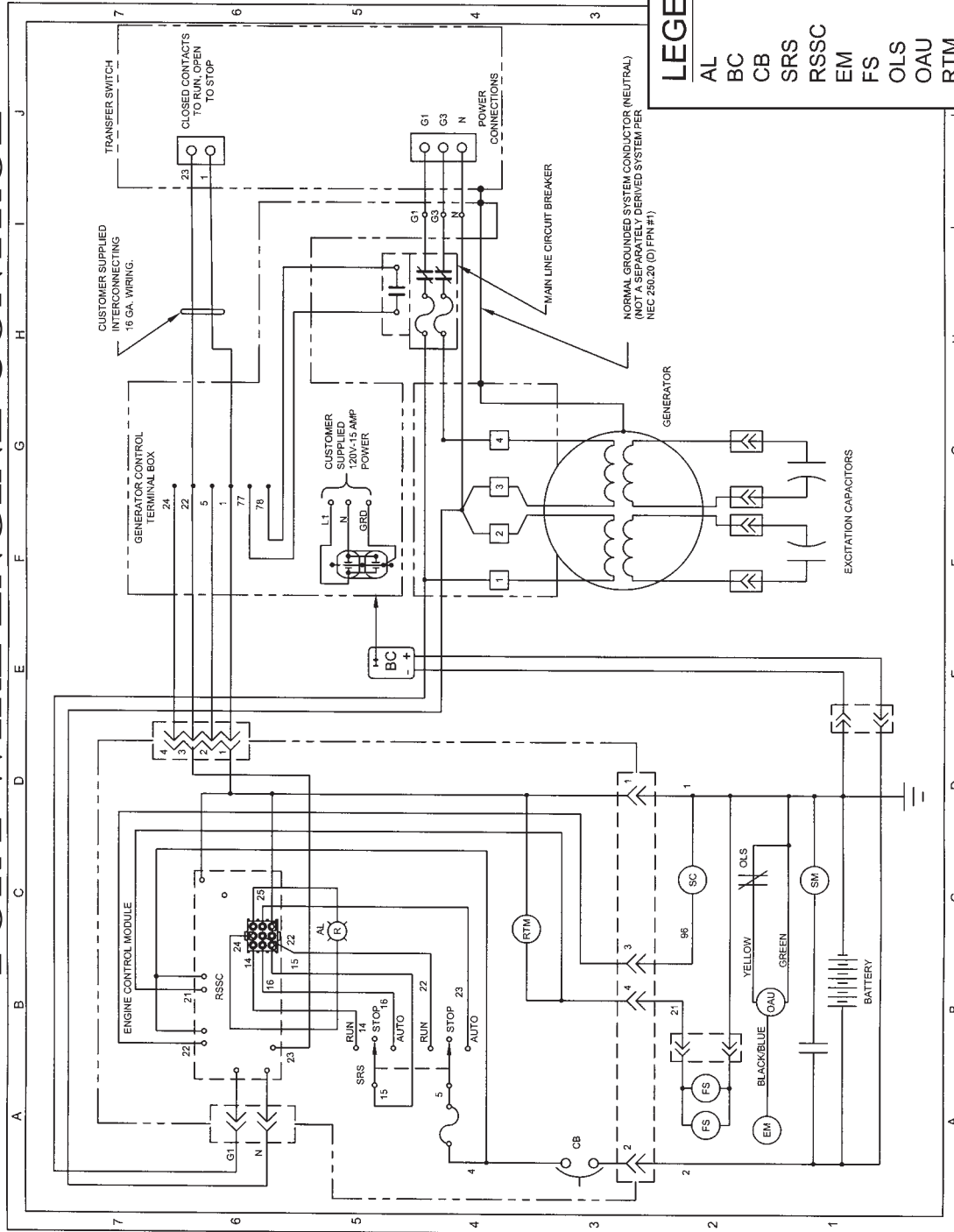
# AC AND DC GENERATOR SCHEMATIC FOR 4-WIRE ENGINE CONTROL



## LEGEND

- AL ALARM LAMP (SYSTEM OFF)
- BC BATTERY CHARGER
- CB CIRCUIT BREAKER
- CR CONTROL RELAY
- EM ENGINE MAGNETO
- FS FUEL SOLENOID
- OLS OIL LEVEL SWITCH
- RTM RUNNING TIME METER
- SC STARTER CONTACTOR
- SM STARTER MOTOR
- TVS TRANSIENT VOLTAGE SUPPRESSOR
- OAU OIL ALERT UNIT

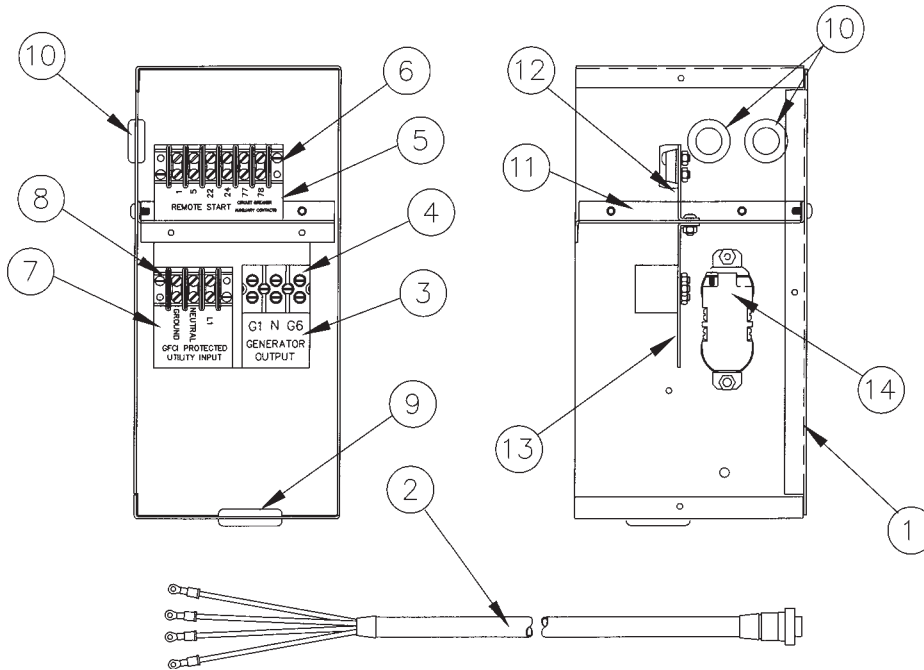
# AC AND DC GENERATOR SCHEMATIC FOR 2-WIRE ENGINE CONTROL



## LEGEND

- AL ALARM LAMP (SYSTEM FAILED)
- BC BATTERY CHARGER
- CB CIRCUIT BREAKER
- SRS RUN/STOP/AUTO SWITCH
- RSSC ENGINE CONTROL MODULE
- EM ENGINE MAGNETO
- FS FUEL SOLENOID
- OLS OIL LEVEL SWITCH
- OAU OIL ALERT UNIT
- RTM RUNNING TIME METER
- SC START CONTACTOR
- SM STARTER MOTOR

# DC HARNESS AND CONNECTION BOX



<u>REF#</u>	<u>PART NUMBER</u>	<u>QTY</u>	<u>DESCRIPTION</u>
1	300278-413	1	Electrical Connection Box
2	15757-018	1	DC Wiring Harness
3	64576-005	1	AC Output Power Decal
4	51795-000	1	3 Point Terminal Block
5	64576-004	2	Remote Connection Decal
6	80623-000	2	6 Point Terminal Block
7	64576-006	1	Utility Connection Decal
8	80623-006	1	3 Point Terminal Block
9	62486-000	1	Grommet
10	23917-000	2	Grommet
11	300309-402	1	Electrical Box Divider
12	16319-401	1	Terminal Block Mounting Bracket
13	16319-402	1	Terminal Block Mounting Bracket
14	24749-000	1	Duplex Receptacle 15 Amp
NI	300310-402	1	Connection Box Cover

**WINGCO INC**  
A Division of **DTE** Dyna Technology Inc

225 South Cordova Avenue  
Le Center MN 56057  
507-357-6831  
www.wincogen.com