



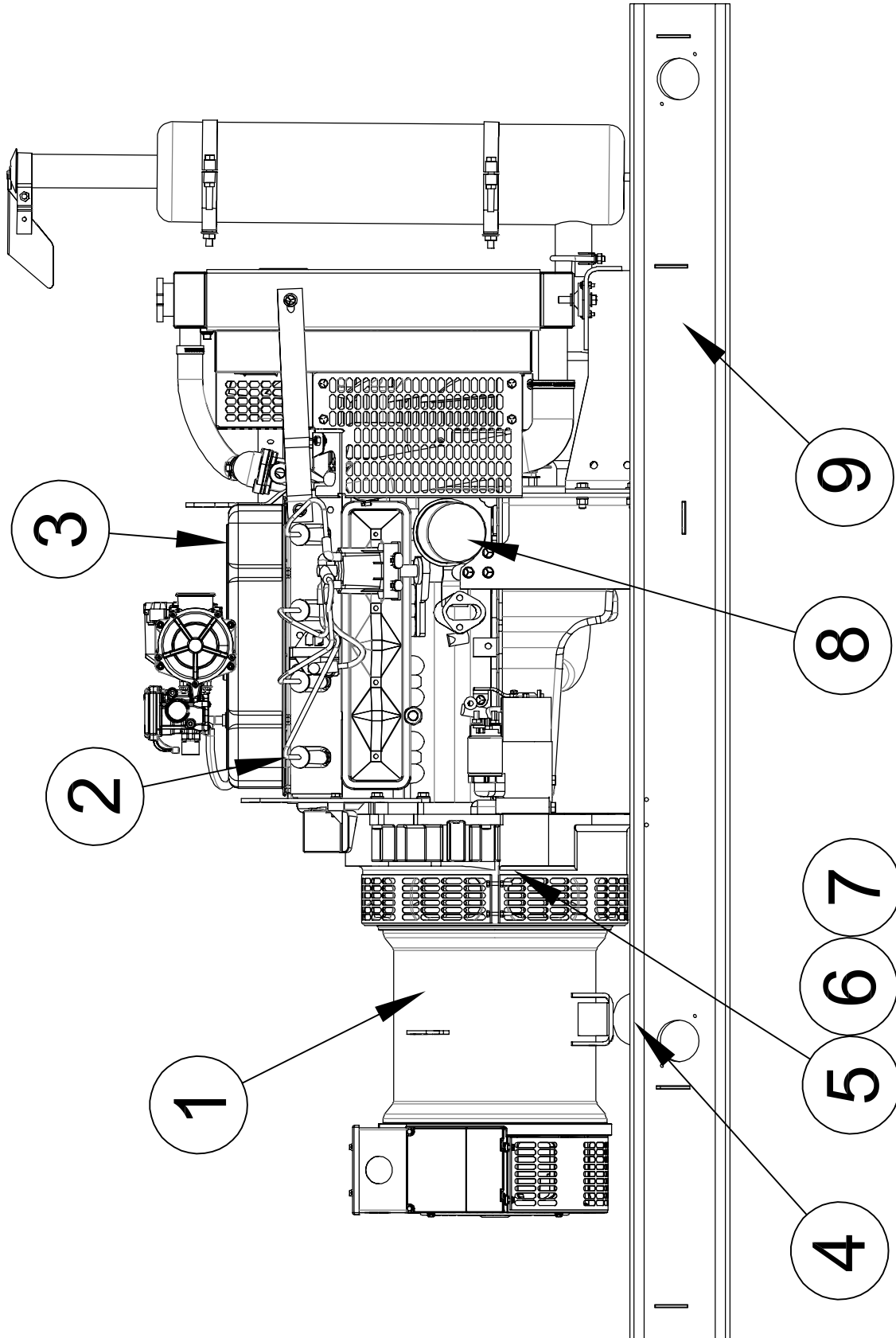
ILLUSTRATED PARTS LIST

ULPSS30-3/E
ULPSS30-4/E
ULPSS30-17/E
ULPSS30-18/E

**WITH DSE7310
ENGINE CONTROL**

225 S. CORDOVA AVE.
LECENTER, MN 56057
507-357-6821
SERVICE DEPT.
507-357-6831
wincogen.com

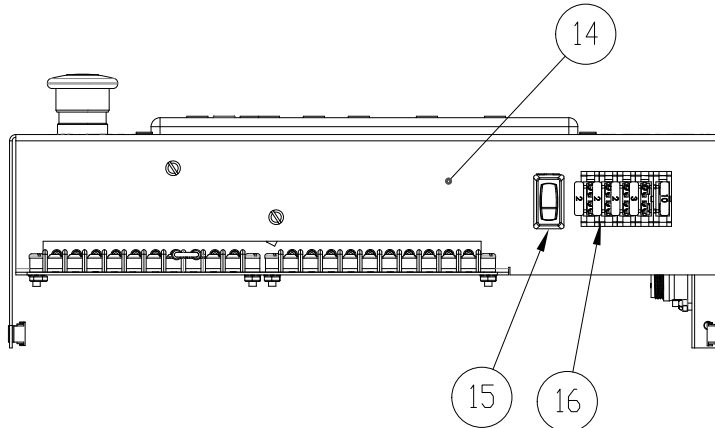
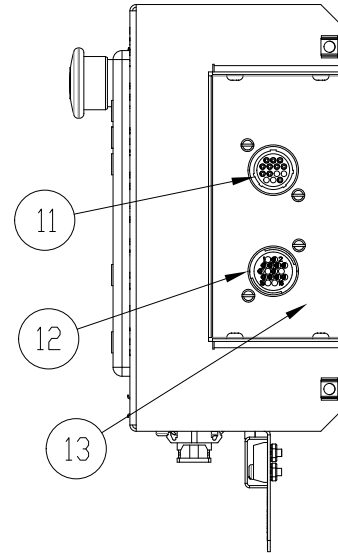
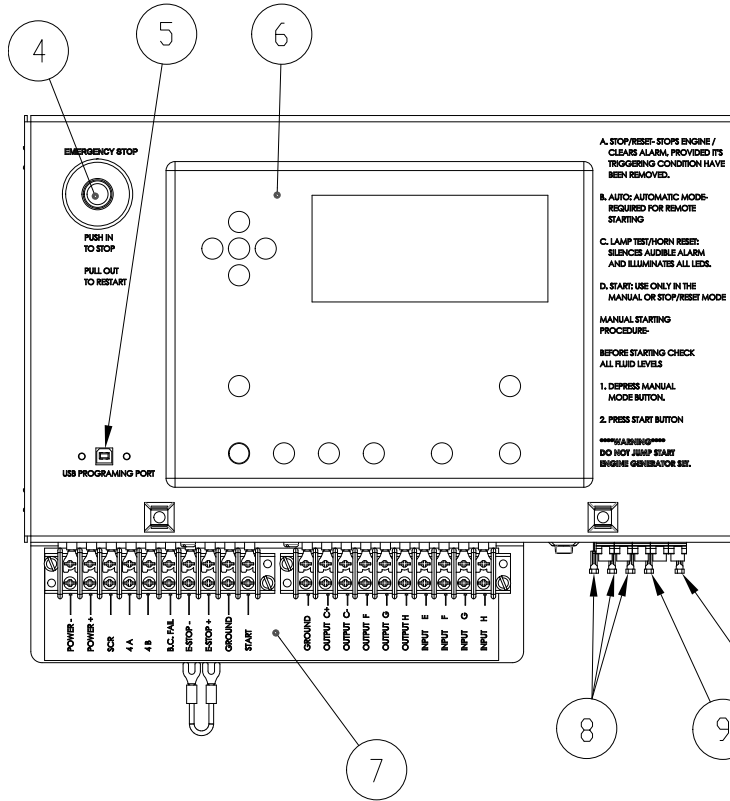
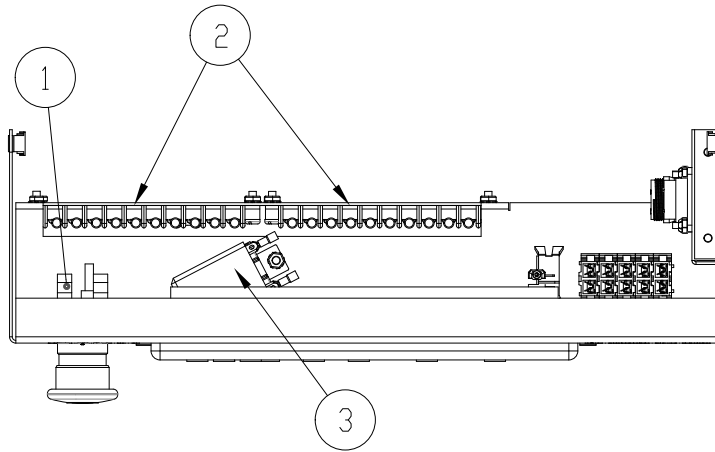
GENERATOR ASSEMBLY



REF #	PART NUMBER	QTY	DESCRIPTION
1	SEE TABLE	1	Stanford Newage Generator
2	R42LTS or R44LTS	4*	Spark Plug
3	351987-1	1	Engine, GM 3.0 Liter
4	98956-001	4	Shock Mount
5	96000-004	11	3/8-16 X 1.5" Bolt
6	23597-003	1	3/8-16 X 2.25" Bolt
7	481-001	12	Lock Washer
8	PF454	1*	Oil Filter
9	99309-121	1	Welded Base Assembly
NI	99317-001	1	Battery Tray
NI	55220-036	1	Negative (-) Battery Cable
NI	53220-045	1	Positive (+) Battery Cable
NI	97294-003	1	Air Filter Assembly Impco AF1-15
NI	55505-000	2 FT	3/8" Hose (Oil Drain)
NI	62625-004	1.5 FT	Reflective Heat Sleeve
NI	98906-006	1	Oil Drain Valve
NI	350818-2	1	Voltage Regulator AS440UL
NI	99420-021	1	DC Engine Harness
NI	72036-015	1	2 Amp Battery Charger
NI	16018-000	1	Air Filter Support
*	AC Delco Part #		
NI	Not Illustrated		

STAMFORD NEWAGE MODEL #	PI144G1J 4-LEAD	PI144H1L 12-LEAD
WINCO PART #	350005-011	350005-007
WINCO MODEL #'S	ULPSS30-3/E	ULPSS30-4/E ULPSS30-17/E ULPSS30-18/E

ENGINE CONTROL ASSEMBLY



REF #	PART NUMBER	QTY	DESCRIPTION
1	99783-002	1	Switch Contact
2	80623-006	2	10 Point Terminal Block
3	59944-017	1	DPDT 12VDC 10 Amp Relay
4	99783-001	1	Push Pull Switch
5	92844-005	1	USB Cable
6	351112-4	1	DSE 7310 Controller
7	351095-11	1	Terminal Strip Decal
8	95064-102	3	2 Amp 32VDC Fuse
9	95064-103	1	3 Amp 32VDC Fuse
10	95064-110	1	10 Amp 32VDC Fuse
11	96925-002	1	14 Pin Connector
12	96925-006	1	16 Pin Connector
13	351900-11	1	Connector Plate
14	351900-22	1	Engine Control Panel
15	64089-000	1	SPST Rocker Switch
16	2489-002	5	Fuse Holder

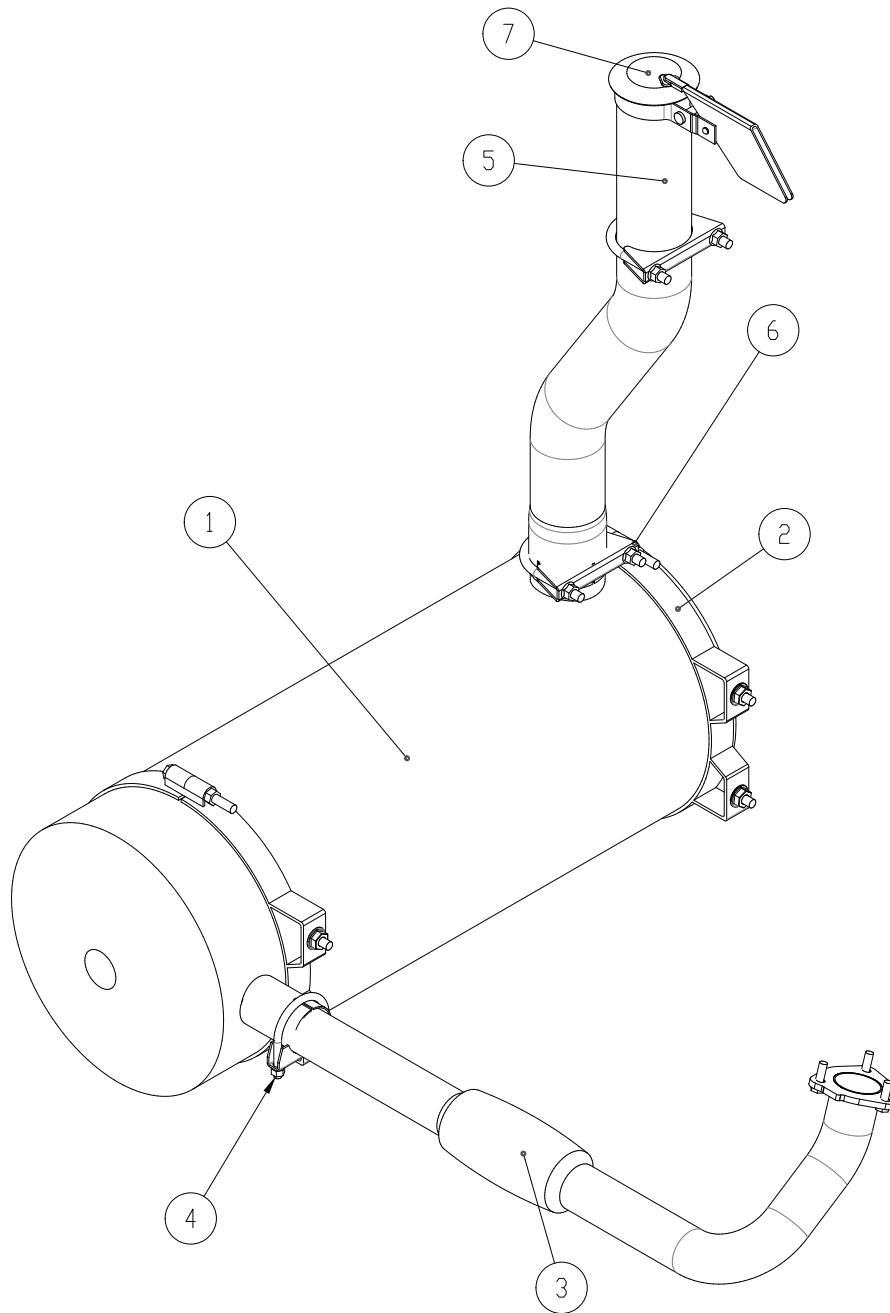
DECALS

REF #	PART NUMBER	QTY	DESCRIPTION
1	97813-000	3	Warning Auto Start Decal
2	63941-001	1	Hot Surface Decal
3	15209-000	1	UL Decal Set
4	15209-100	1	French UL Decal Set
5	16502-001	1	AC Disconnect Decal
6	63941-003	1	Battery Compartment Decal
7	63941-005	1	Receptacle Caution Decal

REF #	PART NUMBER	QTY	DESCRIPTION
1	16522-000	1	2" Straight Conduit Connector
2	16523-004	20"	Flexible Conduit
3	16522-001	1	2" 90° Conduit Connector
4	99826-194	1	Door Latch
5	63941-015	1	Fuse Warning Decal
6	16499-000	1	Ground Decal
7	58060-000	2	Ground Lug
8	SEE TABLE	1	Circuit Breaker Riser
9	SEE TABLE	1	Circuit Breaker
10	16503-000	1	Copper Connector Decal
11	SEE TABLE	1	Circuit Breaker Panel
12	64576-006	1	GFCI Protected Decal
13	51795-000	1	3 Point Terminal Block
14	24749-000	1	NEMA 5-15R Receptacle
15	350124-3	1	Neutral Assembly
16	99826-098	1	DC Box
17	99775-015	1	DSE Control Assembly
18	99826-130	1	Control Cabinet
NI	300538-23	1	Wiring Harness Kit
NI	SEE TABLE	1	Circuit Breaker Cover Panel
NI	Not Illustrated		

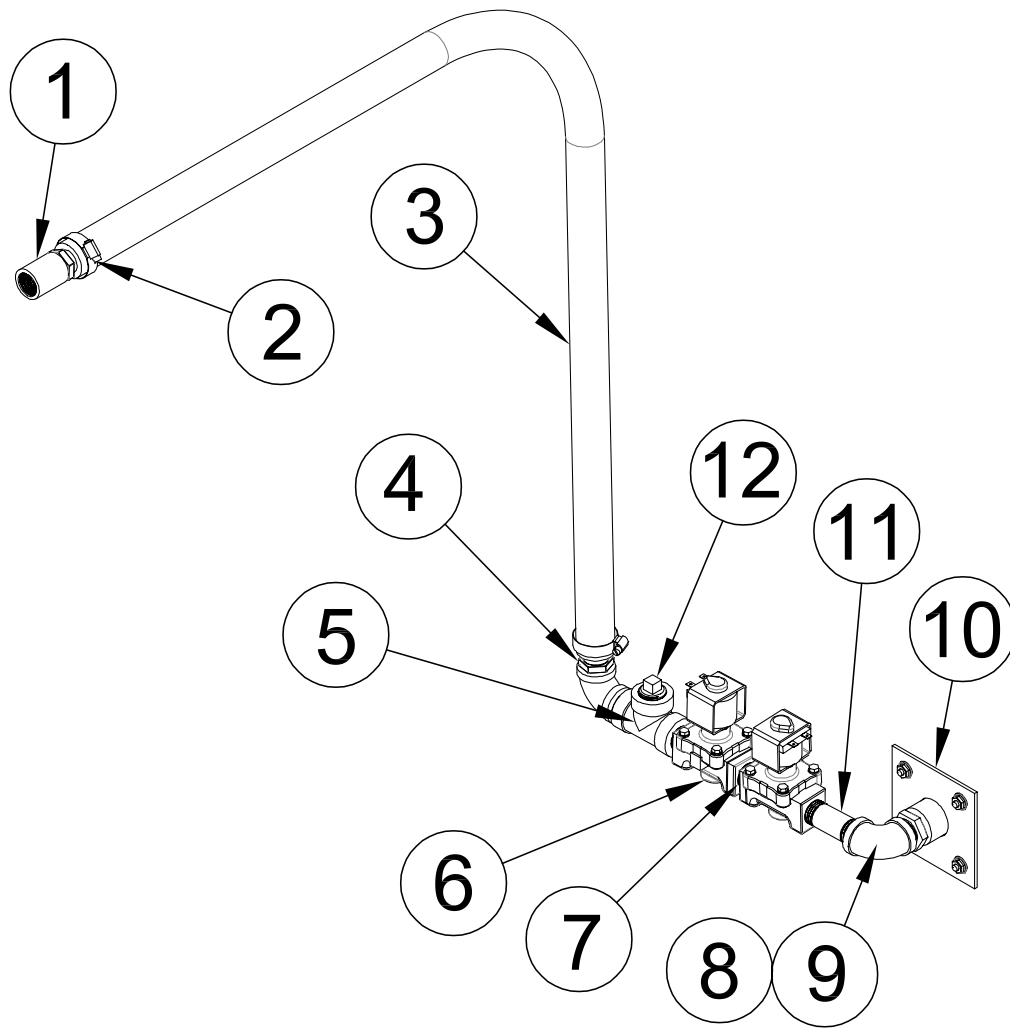
WINCO MODELS	PART NUMBER	DESCRIPTION
ULPSS30-3/E	92072-000 58805-006 92076-020 99826-220	CB RISER 125 AMP 2-POLE BREAKER CB PANEL CB COVER PANEL
ULPSS30-4/E	92072-002 82584-004 92076-021 99826-221	CB RISER 100 AMP 3-POLE BREAKER CB PANEL CB COVER PANEL
ULPSS30-17/E	92072-002 82584-004 92076-021 99826-221	CB RISER 100 AMP 3-POLE BREAKER CB PANEL CB COVER PANEL
ULPSS30-18/E	81097-002 92076-022 99826-123	45 AMP 3-POLE BREAKER CB PANEL CB COVER PANEL

EXHAUST ASSEMBLY



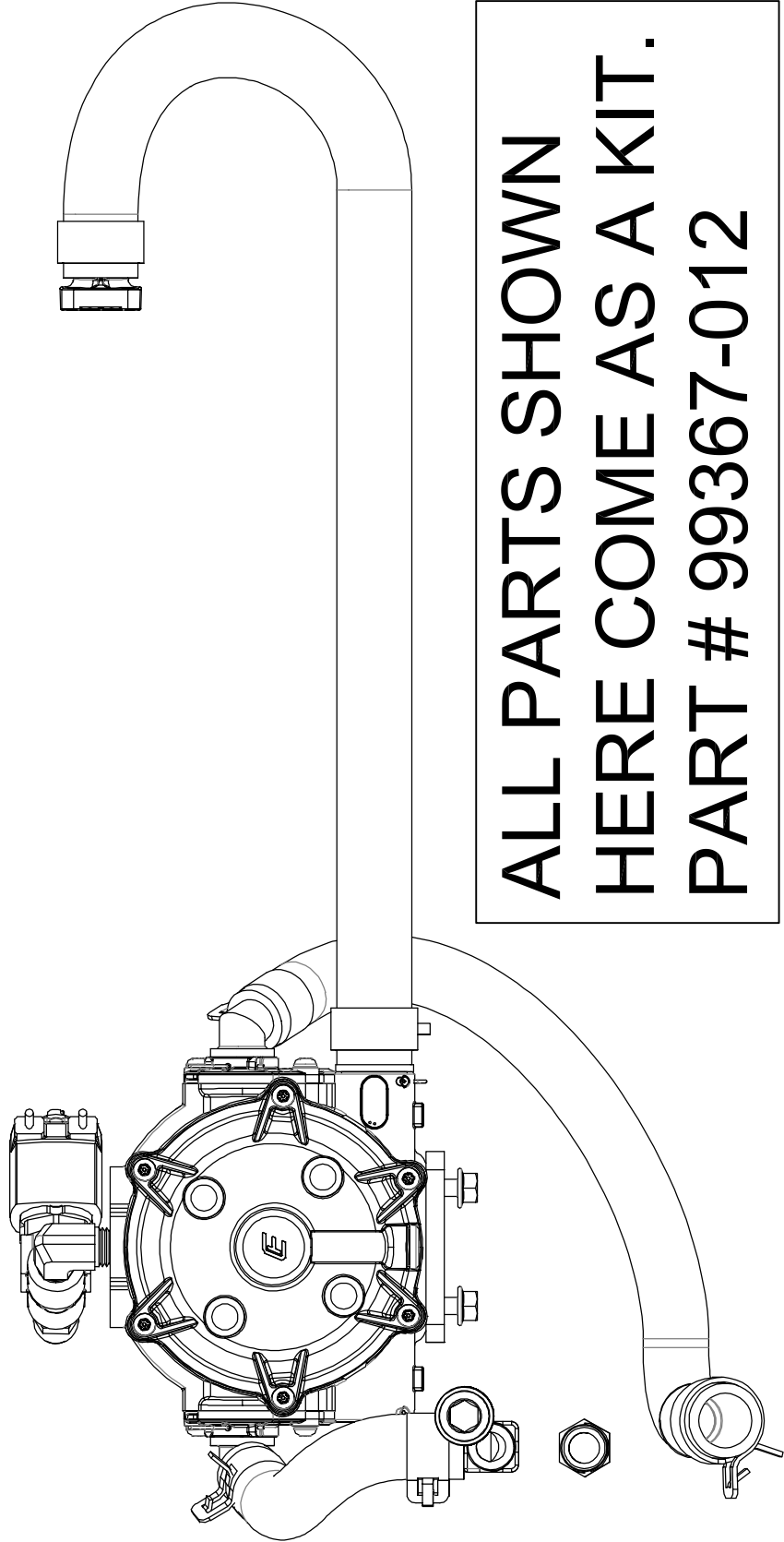
REF #	PART NUMBER	QTY	DESCRIPTION
1	80519-016	1	Muffler
2	350264-3	2	12" Exhaust Clamp
3	99298-029	1	Flex Pipe
4	93489-011	1	2.25" Muffler Clamp
5	99298-030	1	Tail Pipe
6	93489-001	2	3 3/8" Muffler Clamp
7	53111-008	1	3" Rain Cap

VAPOR FUEL SYSTEM ASSEMBLY



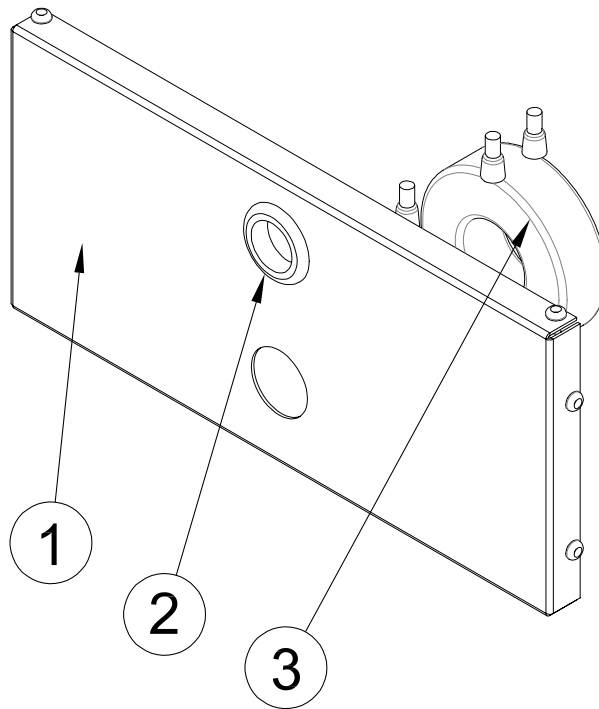
REF #	PART NUMBER	QTY	DESCRIPTION
1	22766-000	1	3/4" Pipe Coupling
2	81018-004	2	Hose Clamp
3	49409-012	56"	1" I.D. Hose
4	92388-004	2	3/4" X 1" Hose Fitting
5	94907-000	1	Tee Fitting
6	42942-000	2	Solenoid
7	54074-006	4	1-1/2" Pipe Nipple
8	50244-000	2	90° Pipe Elbow
9	81077-000	1	1" X 3/4" Reducer
10	99065-000	1	Fuel Inlet Weldment
11	54074-001	1	3-1/2" Pipe Nipple
12	93564-000	1	Pipe Plug

LP LIQUID WITHDRAWAL ASSEMBLY



ALL PARTS SHOWN
HERE COME AS A KIT.
PART # 99367-012

AC WIRING MODIFICATIONS

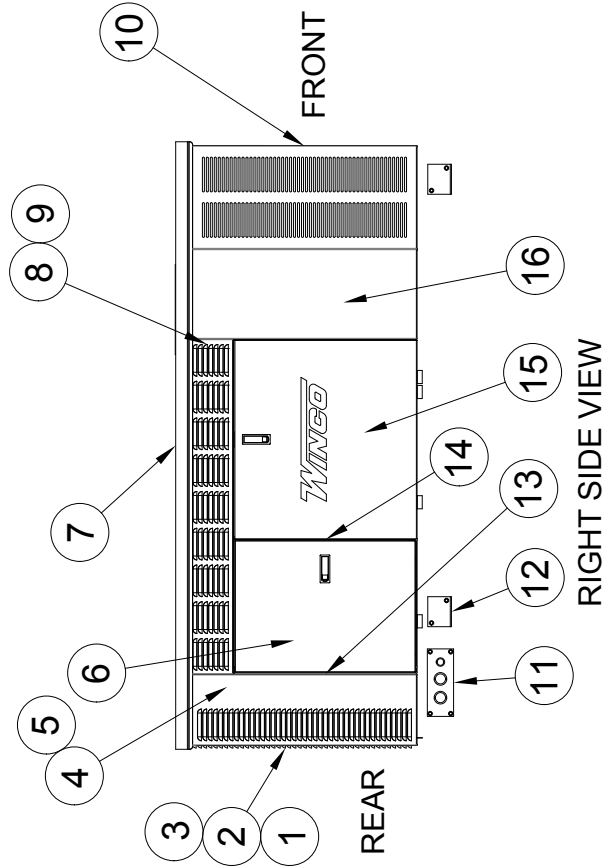
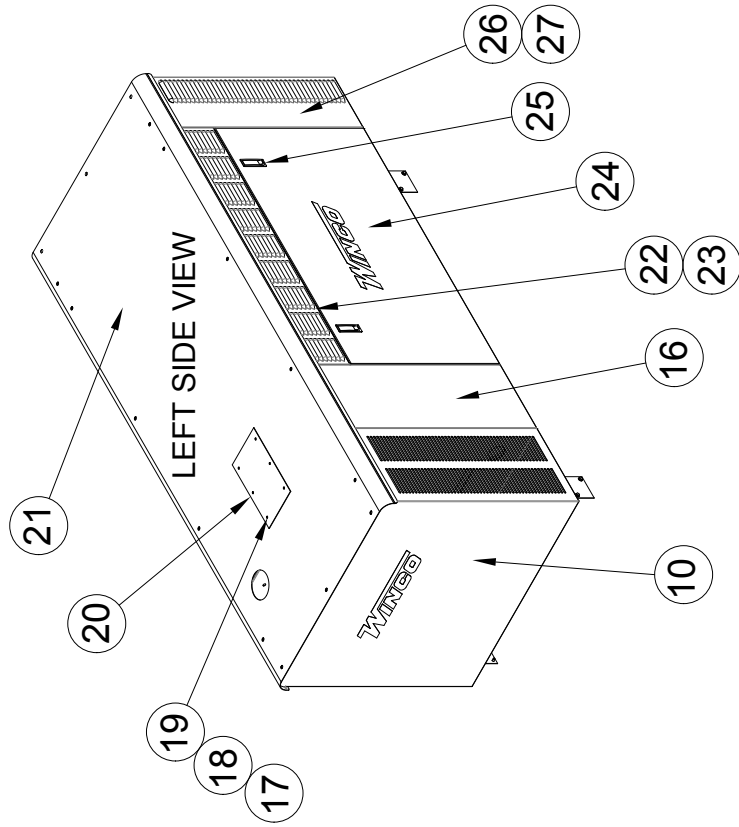


REF #	PART NUMBER	QTY	DESCRIPTION
1	64702-003	1	Generator Front Panel
2	62486-000	1	Grommet
3	SEE TABLE	2 or 3	Current Transformer
NI	SEE TABLE	1	AC Wiring Harness
NI	Not Illustrated		

MODEL #	PART #	QTY	DESCRIPTION
ULPSS30-3/E	80124-004	2	150 to 5 Amp Current Transformer
ULPSS30-4/E ULPSS30-17/E ULPSS30-18/E	80124-004	3	150 to 5 Amp Current Transformer

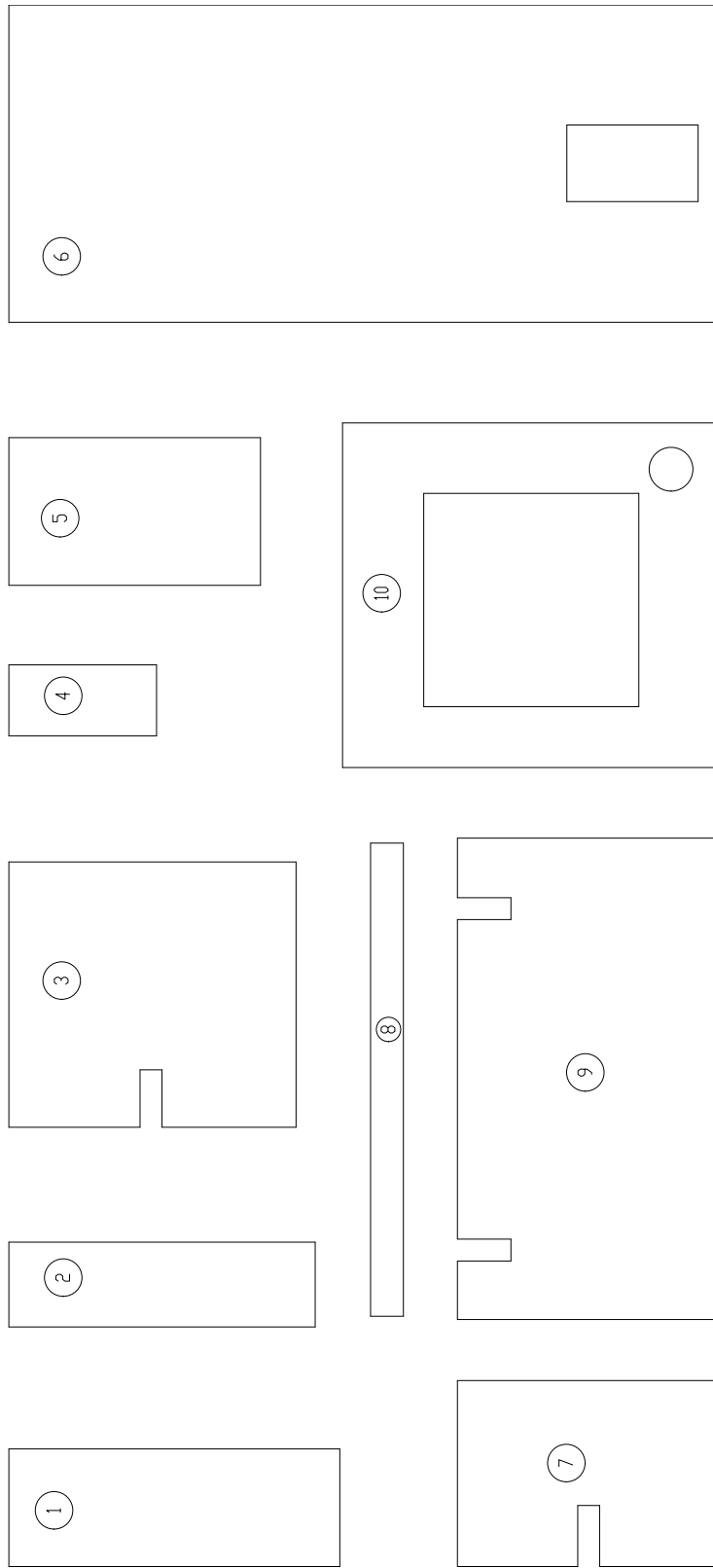
MODEL #	PART #	QTY	DESCRIPTION
ULPSS30-3/E	99347-014	1	AC Harness
ULPSS30-4/E ULPSS30-17/E ULPSS30-18/E	99347-015	1	AC Harness

HOUSING ASSEMBLY



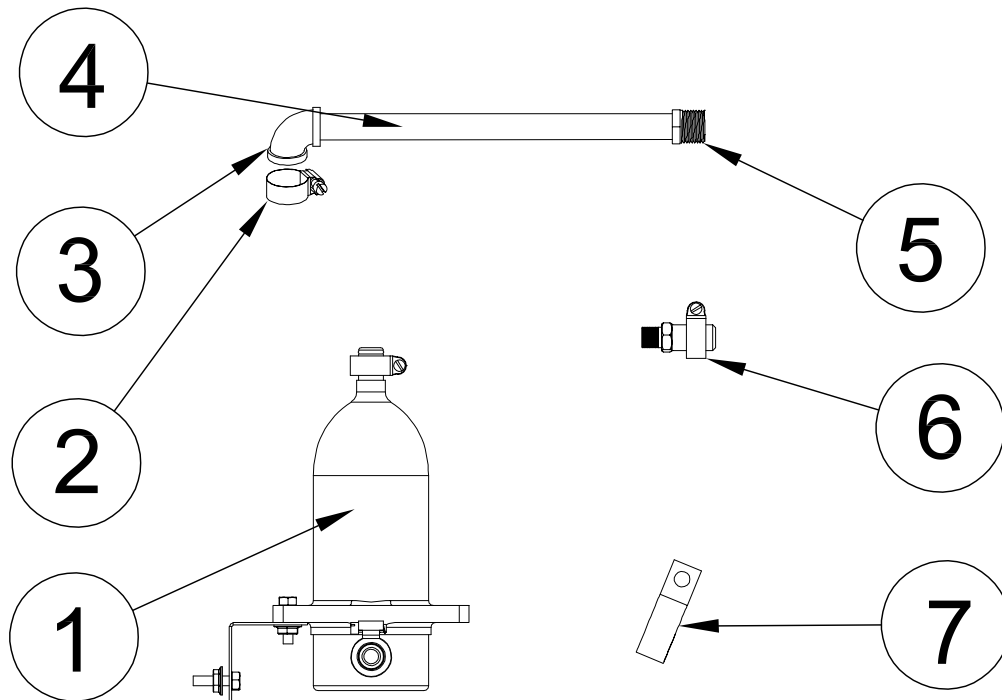
REF #	PART NUMBER	QTY	DESCRIPTION
1	99100-071S	1	Rear Center Panel
2	99100-070S	1	Rear Sill
3	99378-130S	1	Rear Sill Baffle
4	99067-034S	1	Right Rear Corner
5	99378-131S	1	Right Rear Baffle
6	15680-058S	1	PSS 30 Door
7	99515-021	1	Roof
8	99078-023S	1	Right Side Sill
9	99378-120S	1	Right Side Sill Baffle
10	99071-040	1	Front Housing
11	99060-010S	1	Conduit Plate
12	99060-000S	4	Frame Cover Plate
13	98375-031	1	Door Hinge
14	99333-018S	1	Door Stop
15	99100-024S	1	Right Side Panel
16	99071-041	1	Radiator Housing
17	91683-000	6	¼ Turn Clip Nut Receptacle
18	91682-002	6	¼ Turn Bail Style Stud
19	91684-000	6	¼ Turn Split Ring Retainer
20	99515-013S	1	Roof Access, Radiator
21	99515-021	1	Roof
22	99078-024S	1	Left Side Sill
23	99378-121S	1	Left Side Sill Baffle
24	99100-023S	1	Left Side Panel
25	95229--005	1	Door Latch
26	99067-033S	1	Left Rear Panel
27	99378-132S	1	Left Rear Baffle
NI	99225-006S	2	Roof Support
NI	62912-000	7 FT	½" Wide Foam Strip
NI	62912-002	2 FT	3/8" Wide Foam Strip
NI	Not Illustrated		

FOAM PIECES



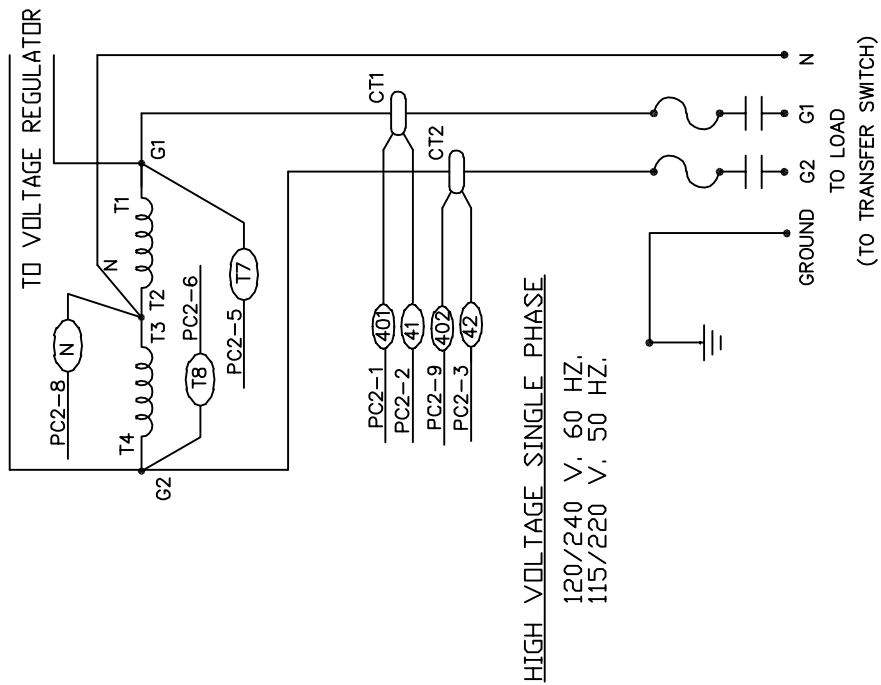
REF #	PART NUMBER	QTY	DESCRIPTION
1	99393-133S	2	Radiator Housing Sides
2	99393-138S	2	Rear Baffle Foam
3	99393-146S	1	Side Panel Foam
4	99393-139S	1	Rear Sill Foam
5	99393-140S	1	Rear Panel Foam
6	99393-148S	1	Roof Foam
7	99393-137S	1	Door Foam
8	99393-134S	2	Side Sill Foam
9	99393-147S	1	Left Side Panel Foam
10	99393-145S	1	Radiator Housing Foam

BLOCK HEATER ASSEMBLY

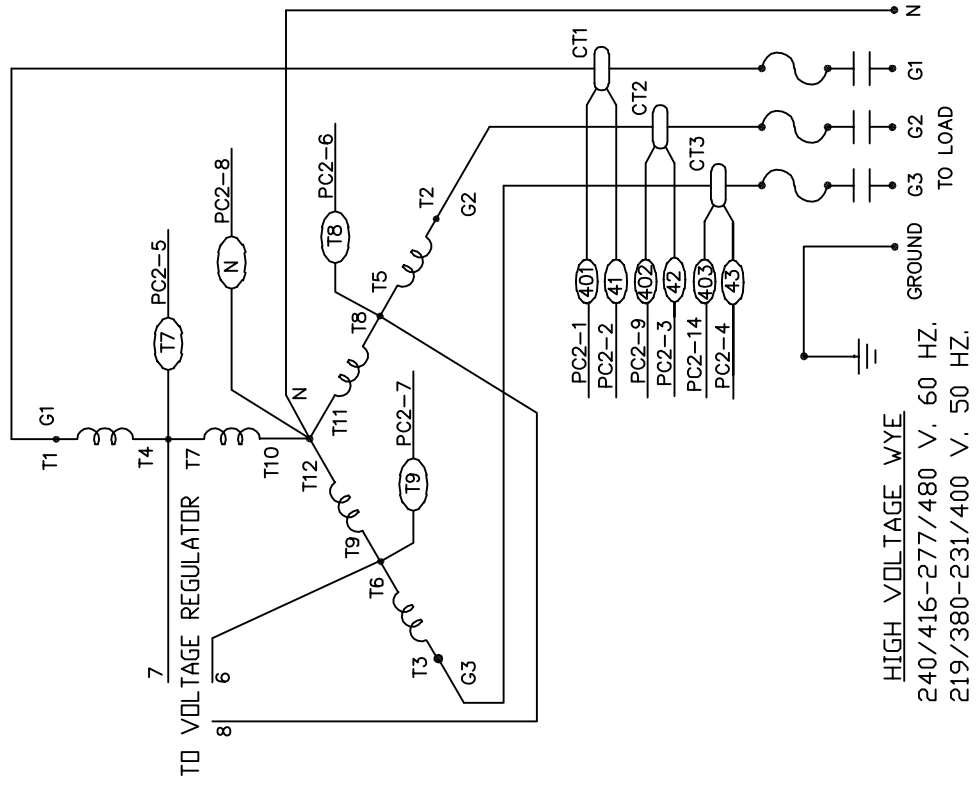


REF #	PART NUMBER	QTY	DESCRIPTION
1	80781-003	1	1000W 120V Tank Heater
2	81018-005	4	Hose Clamp
3	53196-000	1	3/8" Pipe Elbow
4	16456-012	1	3/8" X 10" Pipe Nipple
5	56372-000	1	Reducer
6	350341	1	Hose Fitting
7	97391-008	1	Tube Clamp
NI	93689-001	8 FT	5/8" Hose
NI	92388-000	1	3/8" X 5/8" Hose Fitting
NI	Not Illustrated		

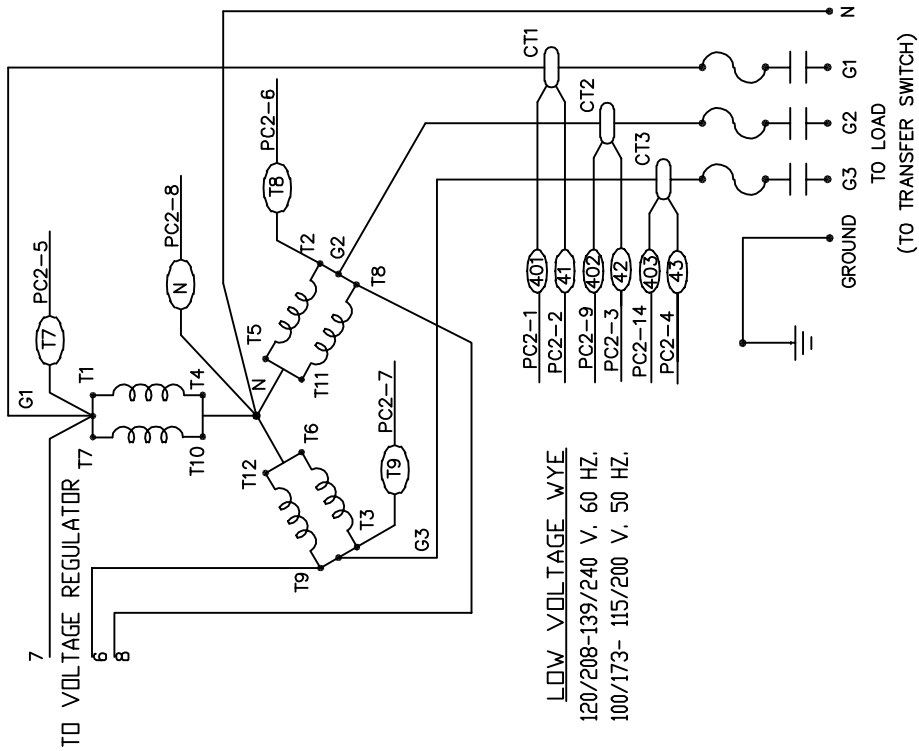
ULPSS30-3/E



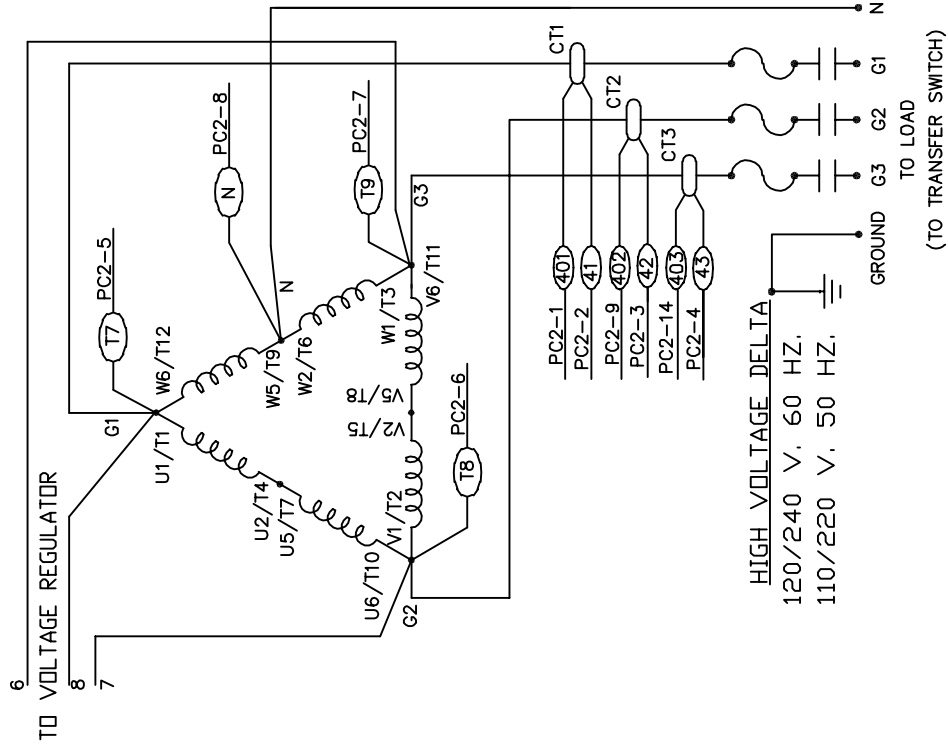
ULPSS30-18/E



ULPSS30-4/E



ULPSS30-17/E



DC WIRING SCHEMATIC DSE7310

