



ILLUSTRATED PARTS LIST

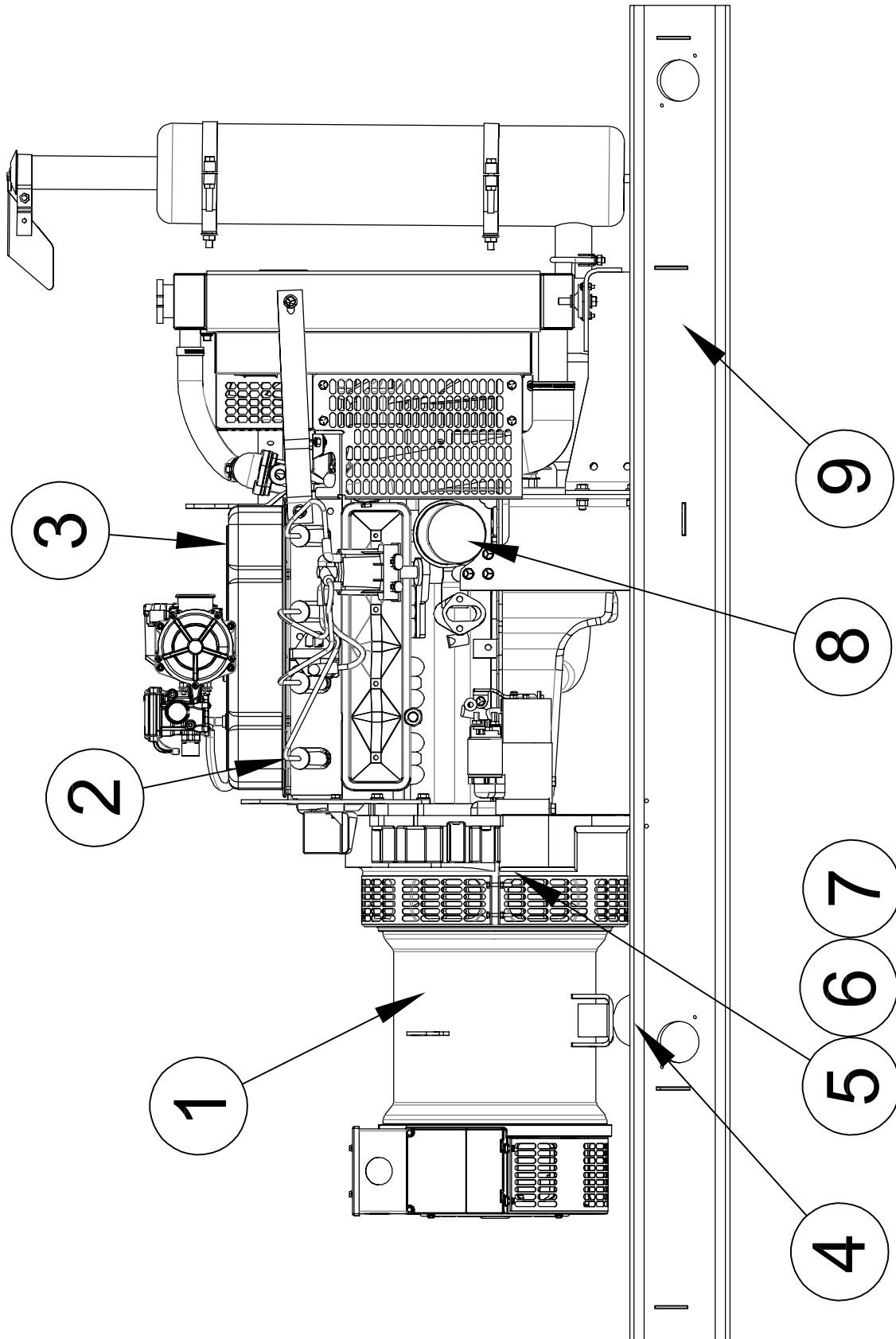
ULPSS30-3/B
ULPSS30-4/B
ULPSS30-17/B
ULPSS30-18/B

**WITH BASLER DGC-2020
ENGINE CONTROL**



225 S. CORDOVA AVE.
LECENTER, MN 56057
507-357-6821
SERVICE DEPT.
507-357-6831

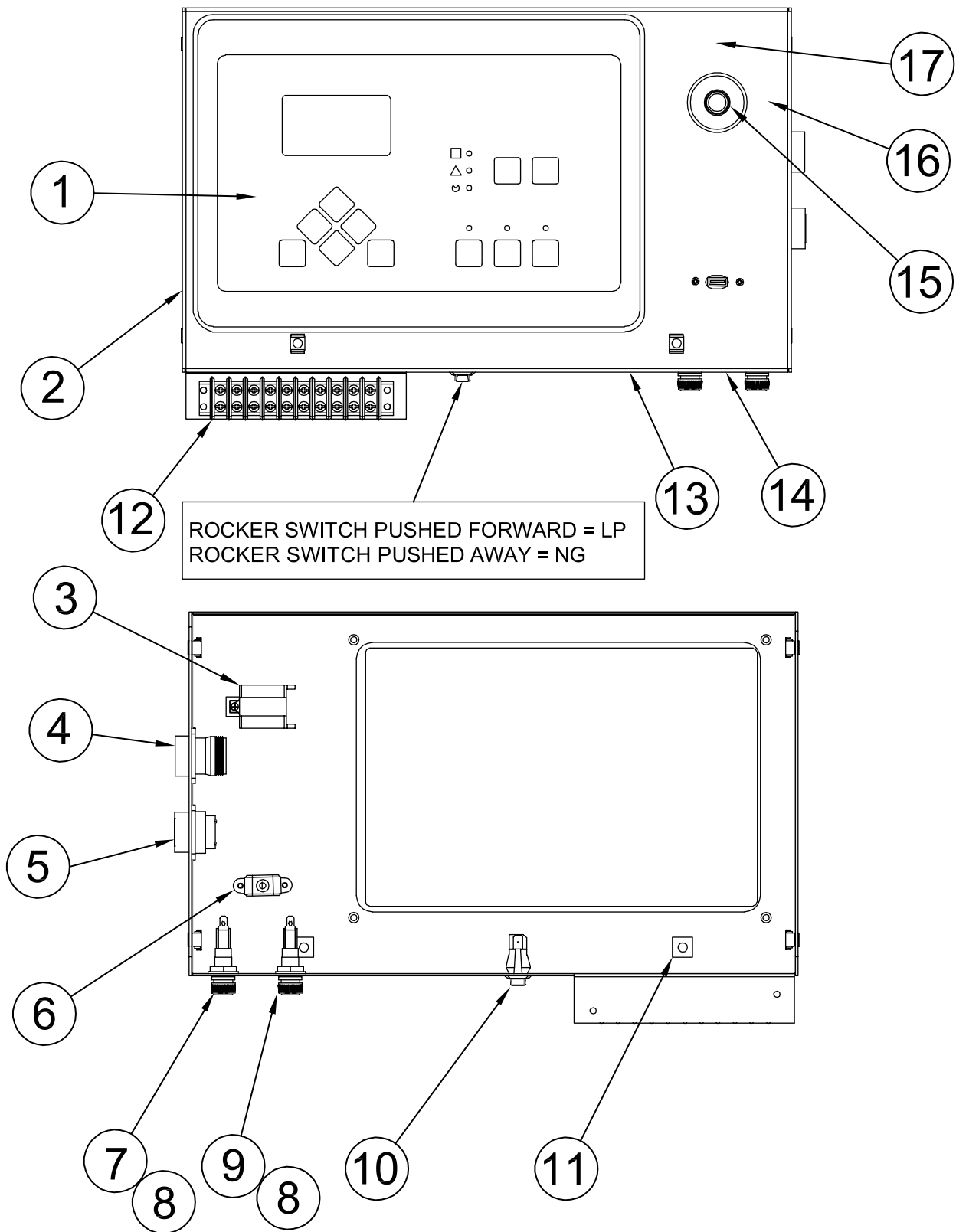
GENERATOR ASSEMBLY



REF #	PART NUMBER	QTY	DESCRIPTION
1	SEE TABLE	1	Stanford Newage Generator
2	R42LTS or R44LTS	4*	Spark Plug
3	351987-1	1	Engine, GM 3.0 Liter
4	98956-001	4	Shock Mount
5	96000-004	11	3/8-16 X 1.5" Bolt
6	23597-003	1	3/8-16 X 2.25" Bolt
7	481-001	12	Lock Washer
8	PF454	1*	Oil Filter
9	99309-130	1	Welded Base Assembly
NI	99317-001	1	Battery Tray
NI	55220-036	1	Negative (-) Battery Cable
NI	53220-045	1	Positive (+) Battery Cable
NI	97294-003	1	Air Filter Assembly Impco AF1-15
NI	55505-000	6 FT	3/8" Hose (Oil Drain)
NI	62625-004	1.5 FT	Reflective Heat Sleeve
NI	98906-006	1	Oil Drain Valve
NI	350818-2	1	Voltage Regulator AS440UL
NI	99420-021	1	DC Engine Harness
*	AC Delco Part #		
NI	Not Illustrated		

STAMFORD NEWAGE MODEL #	PI144G1J 4-LEAD	PI144H1L 12-LEAD
WINCO PART #	350005-011	350005-007
WINCO MODEL #'S	ULPSS30-3/B	ULPSS30-4/B ULPSS30-17/B ULPSS30-18/B

ENGINE CONTROL ASSEMBLY

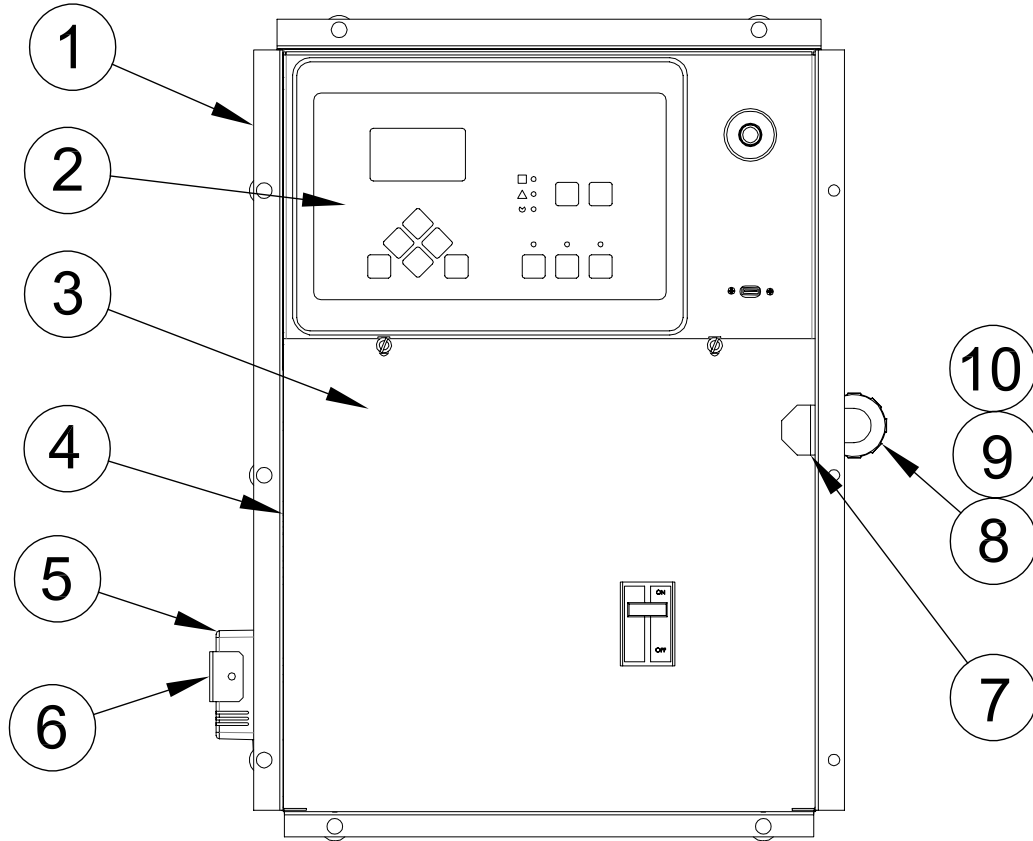


REF #	PART NUMBER	QTY	DESCRIPTION
1	351855-1	1	Basler DGC-2020 Control
2	99826-191	1	Basler Mount
3	99783-002	1	Emergency Stop Switch Contact
4	96925-006	1	16 Pin Connector
5	96925-002	1	14 Pin Connector
6	92884-000	1	USB Cable
7	95064-006	1	10 Amp Fuse
8	2489-001	2	Fuse Holder
9	95064-000	1	3 Amp Fuse
10	64089-000	1	Rocker Switch
11	92495-000	6	Tinnerman Nut
12	80623-006	1	10 Point Terminal Block
13	15983-008	1	3 Amp Fuse Decal
14	15983-006	1	10 Amp Fuse Decal
15	99783-001	1	Push-Pull Switch
16	63941-006	1	Emergency Stop Decal
17	63941-004	1	UL Warning Decal
NI	300542	1	3V Lithium Battery
NI	Not Illustrated		

DECALS

REF #	PART NUMBER	QTY	DESCRIPTION
1	97813-000	3	Warning Auto Start Decal
2	63941-001	1	Hot Surface Decal
3	15209-000	1	UL Decal Set
4	15209-100	1	French UL Decal Set
5	16502-001	1	AC Disconnect Decal
6	63941-003	1	Battery Compartment Decal
7	63941-005	1	Receptacle Caution Decal

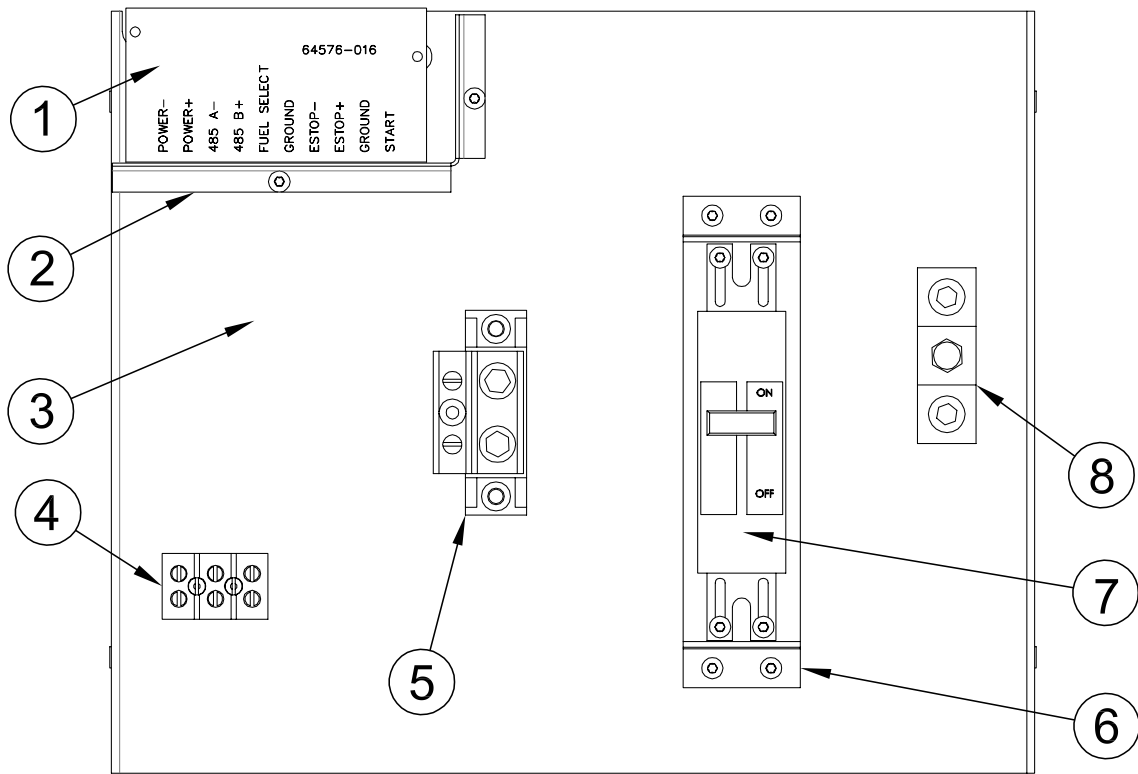
CONTROL CABINET ASSEMBLY



REF #	PART NUMBER	QTY	DESCRIPTION
1	99826-130	1	Basler / Breaker Cabinet
2	99777-022	1	Basler Control Box Assembly
3	SEE TABLE	1	Circuit Breaker Cover Panel
4	54847-010	1	1-3/8" Hole Plug
5	16287-000	1	Battery Tender
6	300308-410	1	Battery Tender Hold Down
7	99826-194	1	Door Latch
8	16482-000	1	90° Conduit Fitting
9	16482-001	1	Straight Conduit Fitting
10	16483-006	18"	Flexible Conduit
NI	24749-000	1	Duplex Receptacle
NI	Not Illustrated		

WINCO MODEL #	PART #
ULPSS30-3/B	99826-230
ULPSS30-4/B	99826-231
ULPSS30-17/B	99826-232
ULPSS30-18/B	99826-233

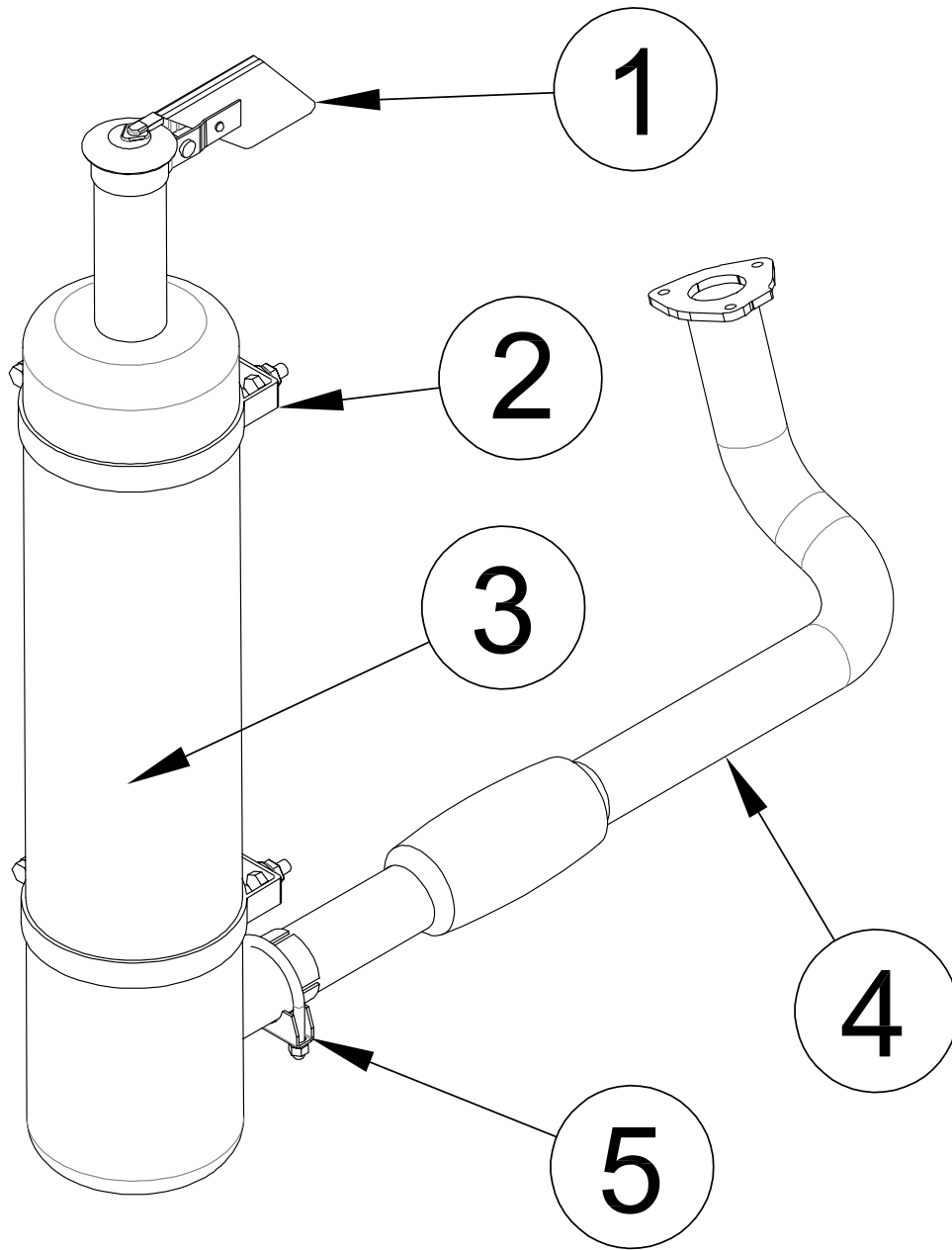
CIRCUIT BREAKER ASSEMBLY



REF #	PART NUMBER	QTY	DESCRIPTION
1	64576-016	1	Remote Terminal Decal
2	99826-196	1	DC Box
3	SEE TABLE	1	CB Mounting Panel
4	51795-000	1	3 Point Terminal Block
5	350124-4	1	Neutral Block
6	92072-000	1	CB Riser
7	SEE TABLE	1	Circuit Breaker
8	58060-000	2	Ground Terminal Lug

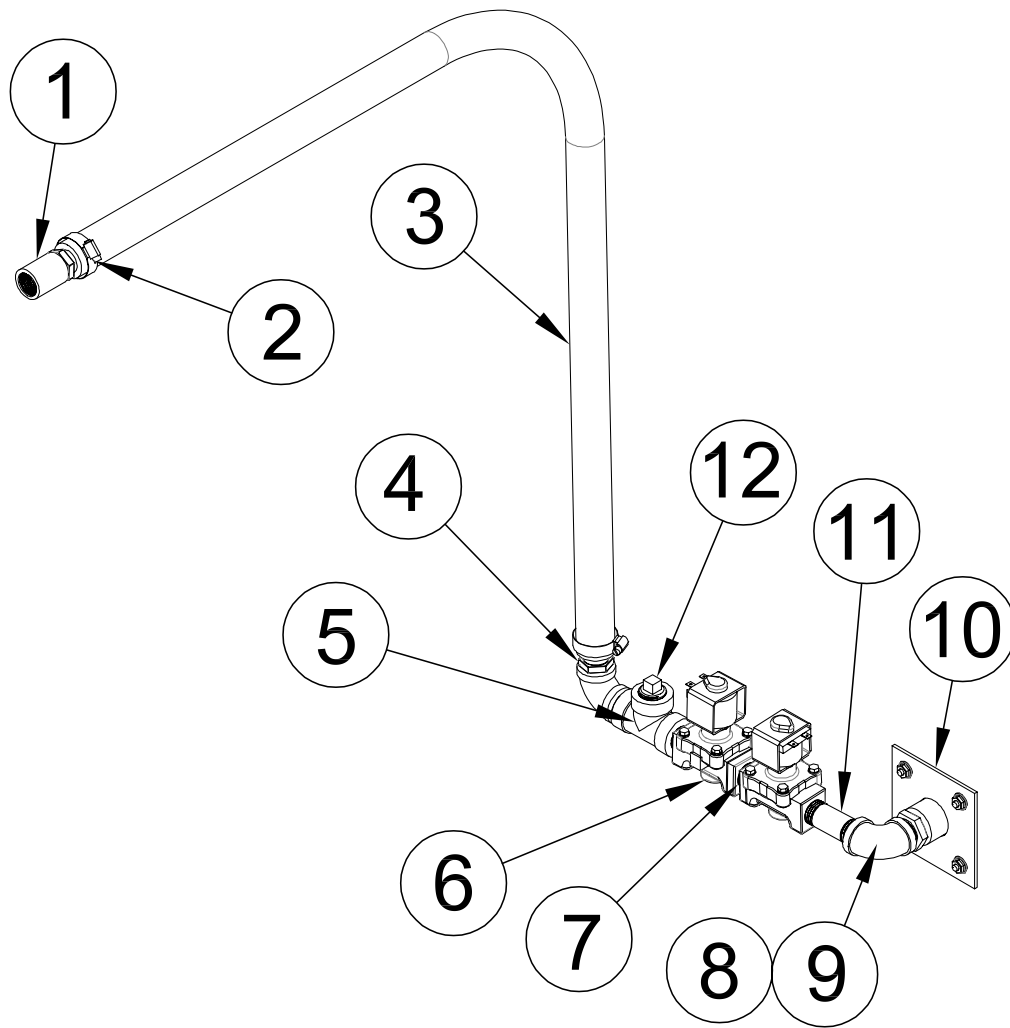
WINCO MODEL #	PART NUMBER	DESCRIPTION
ULPSS30-3/B	92076-007 58805-006	CB MOUNTING PANEL 125 AMP 2-POLE BREAKER
ULPSS30-4/B	92076-008 82584-004	CB MOUNTING PANEL 100 AMP 3-POLE BREAKER
ULPSS30-17/B	92076-009 82584-003	CB MOUNTING PANEL 90 AMP 3-POLE BREAKER
ULPSS30-18/B	92076-010 81097-002	CB MOUNTING PANEL 45 AMP 3-POLE BREAKER

EXHAUST ASSEMBLY



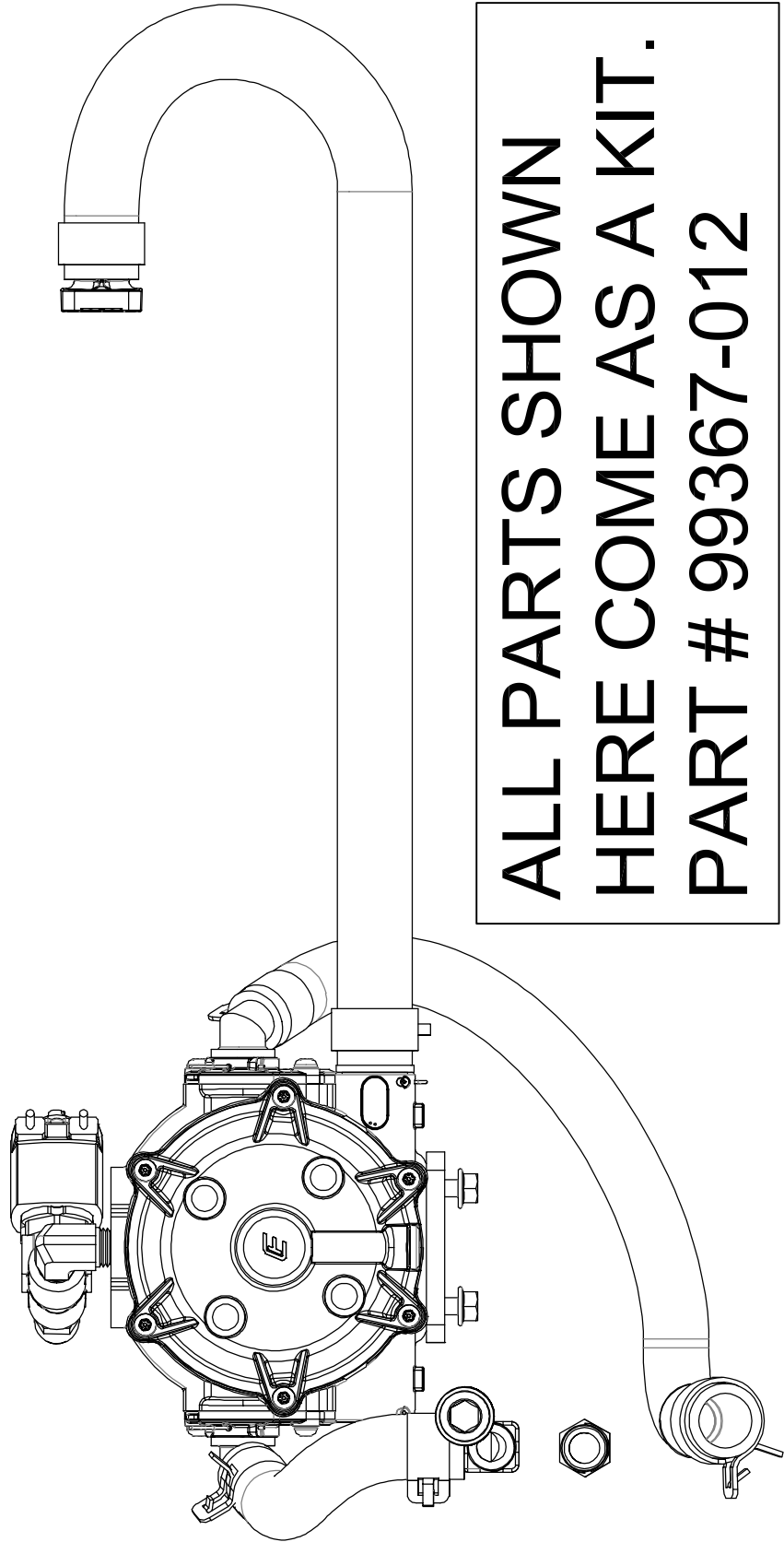
REF #	PART NUMBER	QTY	DESCRIPTION
1	53111-007	1	2" Rain Cap
2	350264-2	2	6" Mounting Band
3	80519-015	1	Muffler
4	99298-028	1	Exhaust Flex w/Flange
5	93489-011	1	2.25" Muffler Clamp

VAPOR FUEL SYSTEM ASSEMBLY

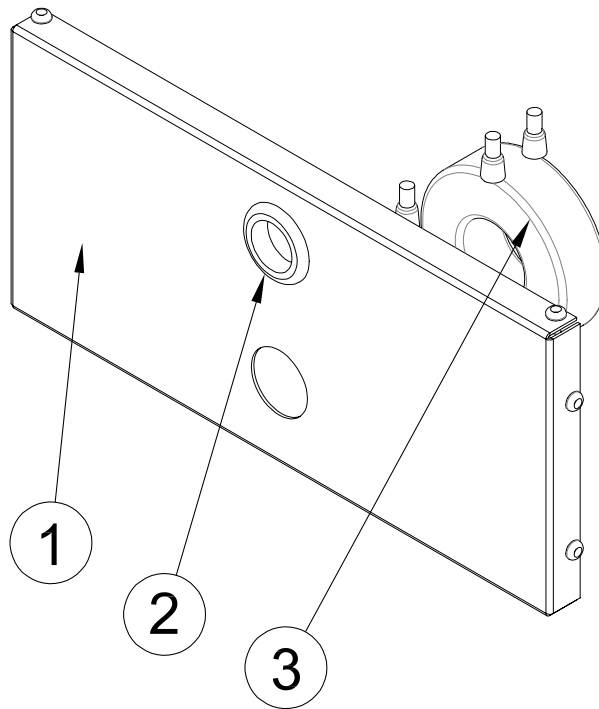


REF #	PART NUMBER	QTY	DESCRIPTION
1	22766-000	1	3/4" Pipe Coupling
2	81018-004	2	Hose Clamp
3	49409-012	56"	1" I.D. Hose
4	92388-004	2	3/4" X 1" Hose Fitting
5	94907-000	1	Tee Fitting
6	42942-000	2	Solenoid
7	54074-006	4	1-1/2" Pipe Nipple
8	50244-000	2	90° Pipe Elbow
9	81077-000	1	1" X 3/4" Reducer
10	99065-000	1	Fuel Inlet Weldment
11	54074-001	1	3-1/2" Pipe Nipple
12	93564-000	1	Pipe Plug

LP LIQUID WITHDRAWAL ASSEMBLY



AC WIRING MODIFICATIONS

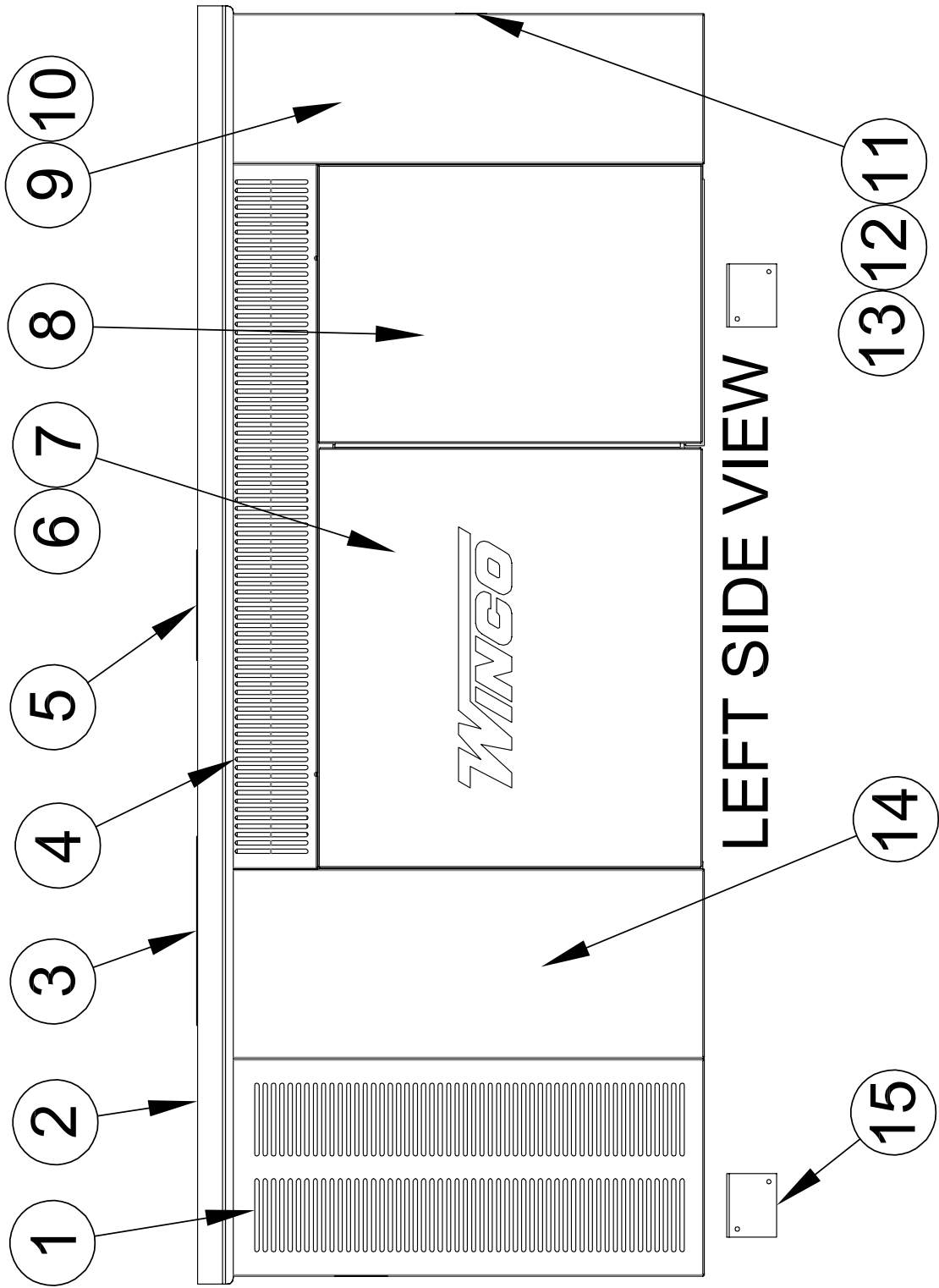


REF #	PART NUMBER	QTY	DESCRIPTION
1	64702-003	1	Generator Front Panel
2	62486-000	1	Grommet
3	SEE TABLE	2 or 3	Current Transformer
NI	SEE TABLE	1	AC Wiring Harness
NI	Not Illustrated		

MODEL #	PART #	QTY	DESCRIPTION
ULPSS30-3/B	80124-004	2	150 to 5 Amp Current Transformer
ULPSS30-4/B ULPSS30-17/B ULPSS30-18/B	80124-004	3	150 to 5 Amp Current Transformer

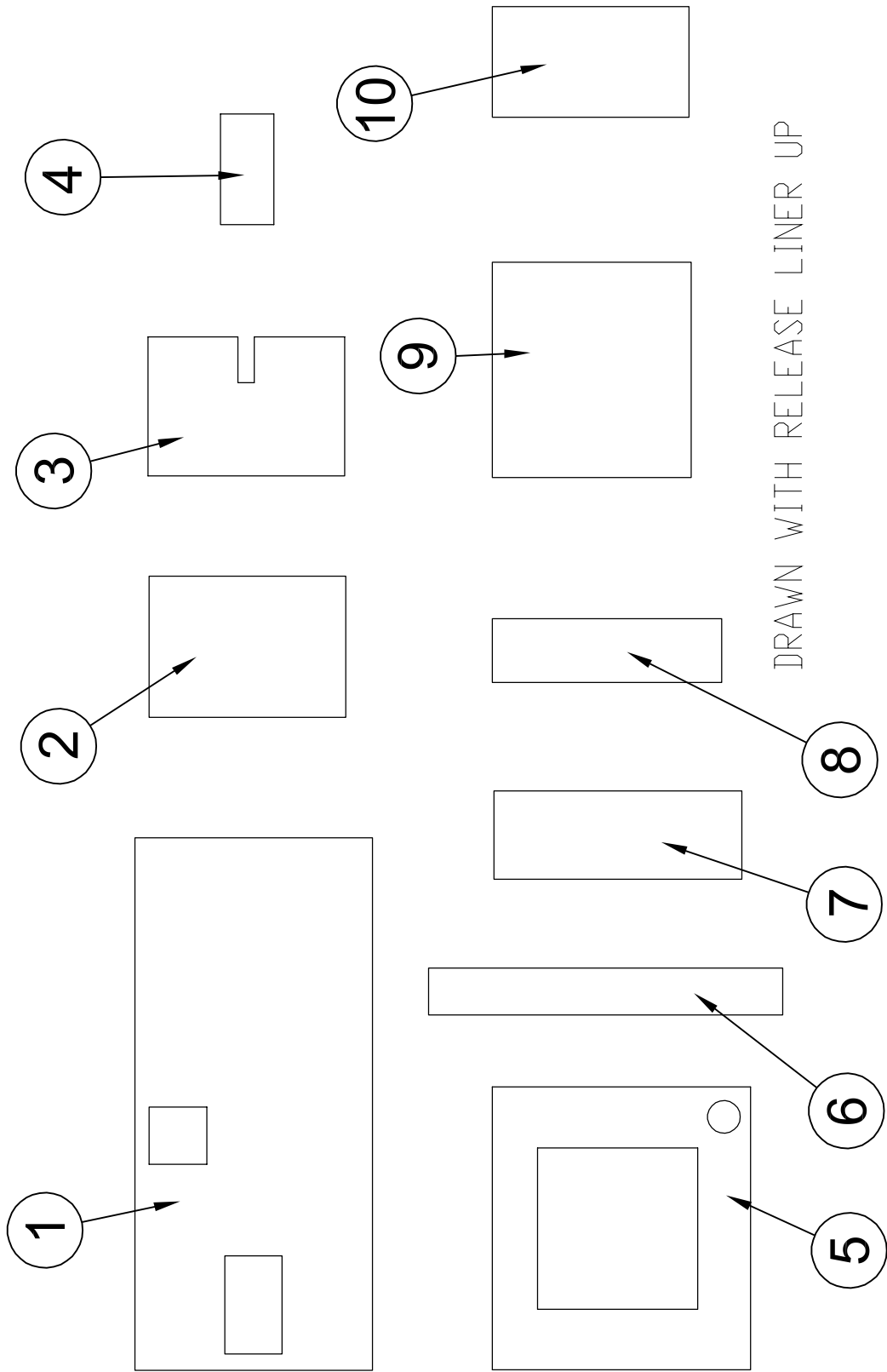
MODEL #	PART #	QTY	DESCRIPTION
ULPSS30-3/B	99347-014	1	AC Harness
ULPSS30-4/B ULPSS30-17/B ULPSS30-18/B	99347-015	1	AC Harness

HOUSING ASSEMBLY



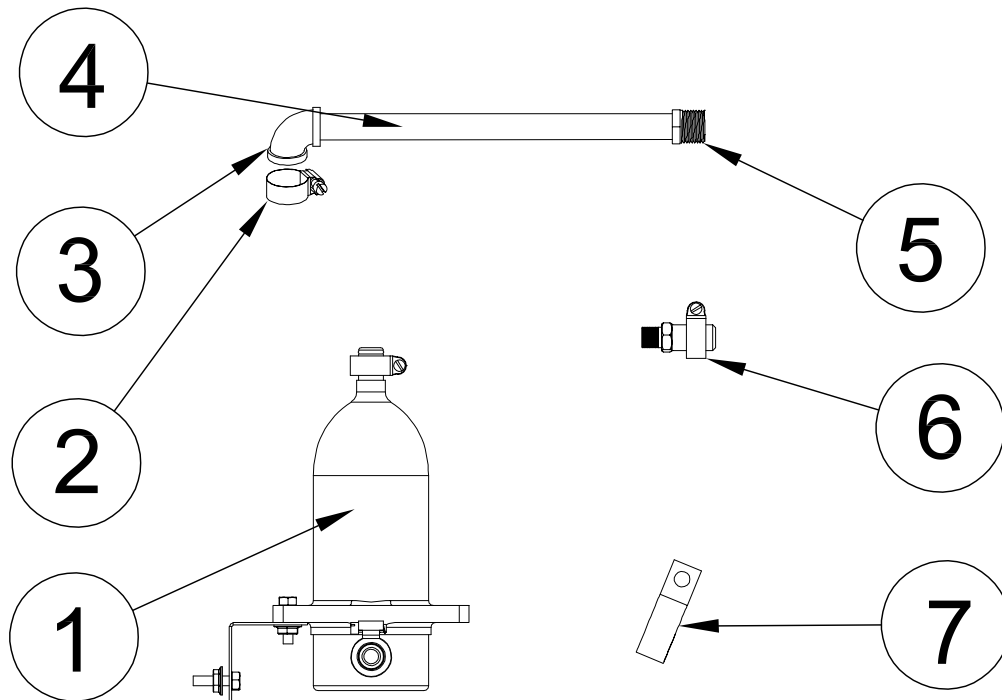
REF #	PART NUMBER	QTY	DESCRIPTION
1	99071-040	1	Front Housing
2	99515-030	1	Roof
3	99515-013	1	Roof Access, Radiator
4	99078-032	1	Left Side Sill
5	99515-011	1	Oil Level Access Cover
6	99100-038	1	Left Side Panel
7	99378-135	1	Left Side Sill Baffle
8	99100-039	1	Rear Side Panel
9	99067-031	1	Left Rear Corner
10	99378-132	1	Left Rear Baffle
11	99100-033	1	Rear Center Panel
12	99100-032	1	Rear Sill
13	99378-130	1	Rear Sill Baffle
14	99071-039	1	Radiator Housing
15	99060-000	4	Frame Cover Plate
NI	99078-033	1	Right Side Sill
NI	99378-136	1	Right Side Sill Baffle
NI	99067-032	1	Right Rear Corner
NI	99378-131	1	Right Rear Baffle
NI	99100-037	1	Right Side Panel
NI	15680-058	1	PSS 30 Door
NI	99333-018	1	Door Stop
NI	99225-006	2	Roof Support
NI	91683-000	10	¼ Turn Clip Nut Receptacle
NI	91682-002	10	¼ Turn Bail Style Stud
NI	91684-000	10	¼ Turn Split Ring Retainer
NI	65000-003	8	Thumb Screw
NI	92421-000	12 FT	1.5" X 1.5" Foam Strip
NI	62912-000	15 FT	½" Wide Foam Strip
NI	62912-002	6 FT	¾" Wide Foam Strip
NI	95229--005	1	Door Latch
NI	98375-031	1	Door Hinge
NI	Not Illustrated		

FOAM PIECES



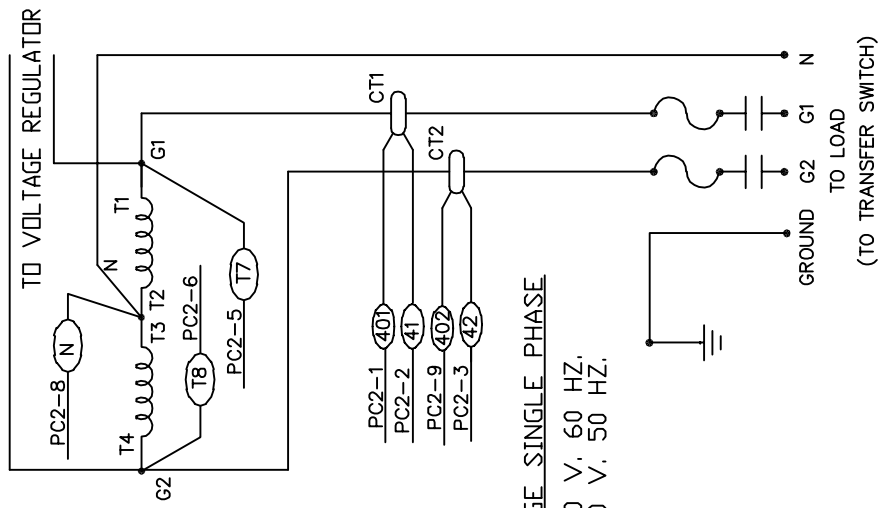
REF #	PART NUMBER	QTY	DESCRIPTION
1	99393-441	1	Roof Foam
2	99393-436	1	Rear Side Panel Foam
3	99393-437	1	Door Foam
4	99393-439	1	Rear Sill Foam
5	99393-432	1	Radiator Housing Foam
6	99393-434	2	Side Sill Foam
7	99393-433	2	Radiator Housing Side
8	99393-438	2	Rear Baffle Foam
9	99393-435	2	Side Panel Foam
10	99393-440	1	Rear Panel Foam

BLOCK HEATER ASSEMBLY



REF #	PART NUMBER	QTY	DESCRIPTION
1	80781-003	1	1000W 120V Tank Heater
2	81018-005	4	Hose Clamp
3	53196-000	1	3/8" Pipe Elbow
4	16456-012	1	3/8" X 10" Pipe Nipple
5	56372-000	1	Reducer
6	350341	1	Hose Fitting
7	97391-008	1	Tube Clamp
NI	93689-001	8 FT	5/8" Hose
NI	92388-000	1	3/8" X 5/8" Hose Fitting
NI	Not Illustrated		

ULPSS30-3/B

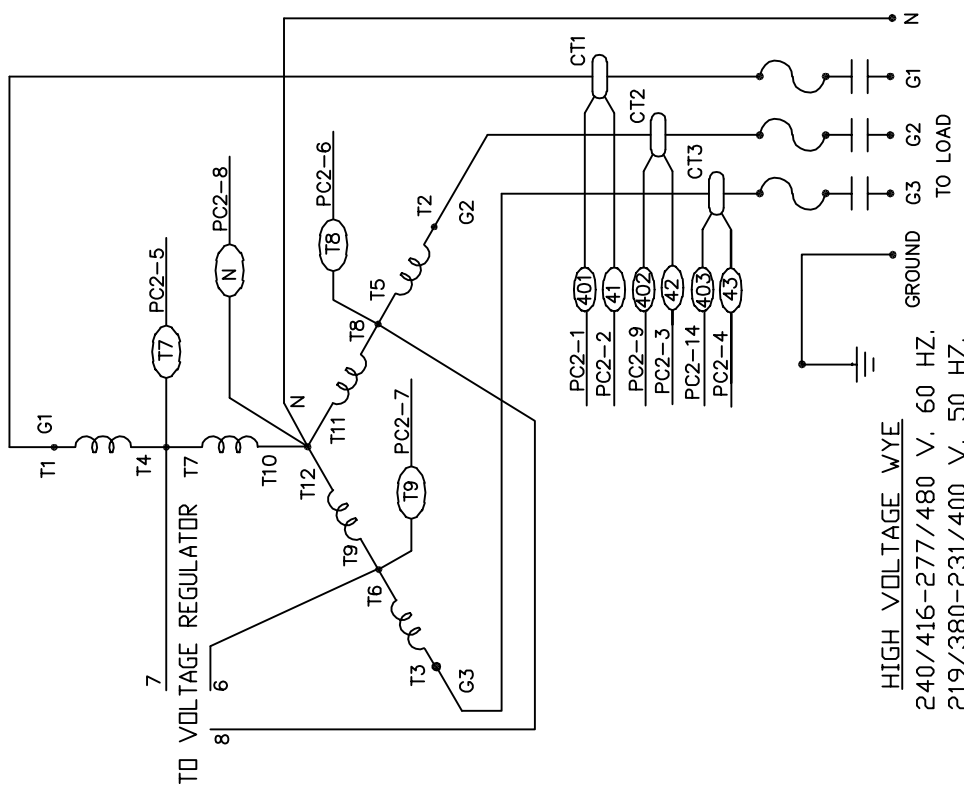


HIGH VOLTAGE SINGLE PHASE
 120/240 V, 60 HZ.
 115/220 V, 50 HZ.

GROUND (TO TRANSFER SWITCH)

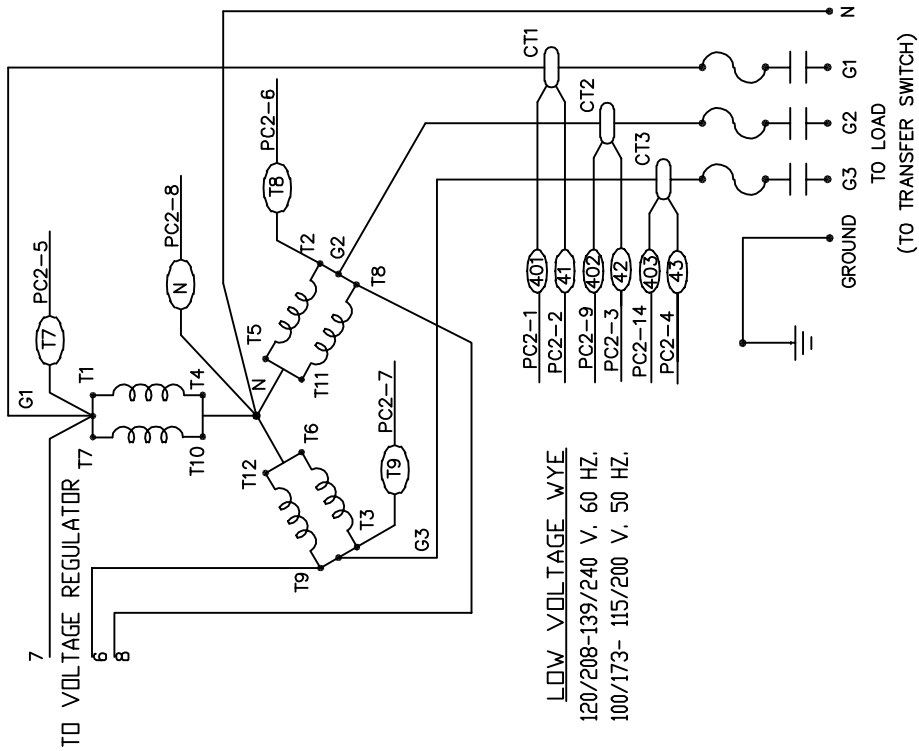
AC WIRING SCHEMATICS

ULPSS30-18/B



HIGH VOLTAGE WYE
 240/416-277/480 V, 60 HZ.
 219/380-231/400 V, 50 HZ.

ULPSS30-4/B



ULPSS30-17/B

