



# ILLUSTRATED PARTS LIST

**PSS35-3/A**

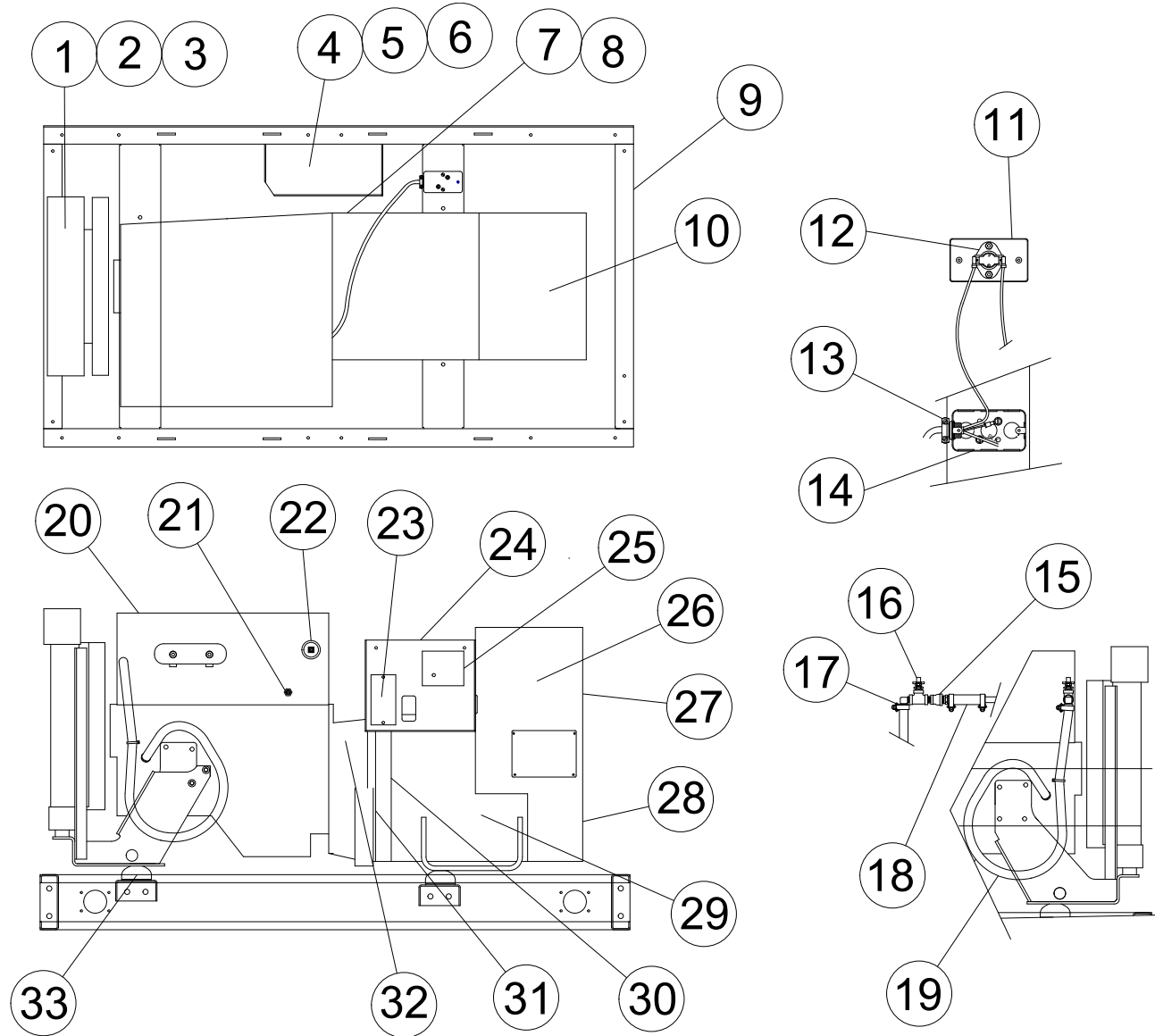
**PSS35-4/A**

**PSS35-17/A**

**PSS35-18/A**

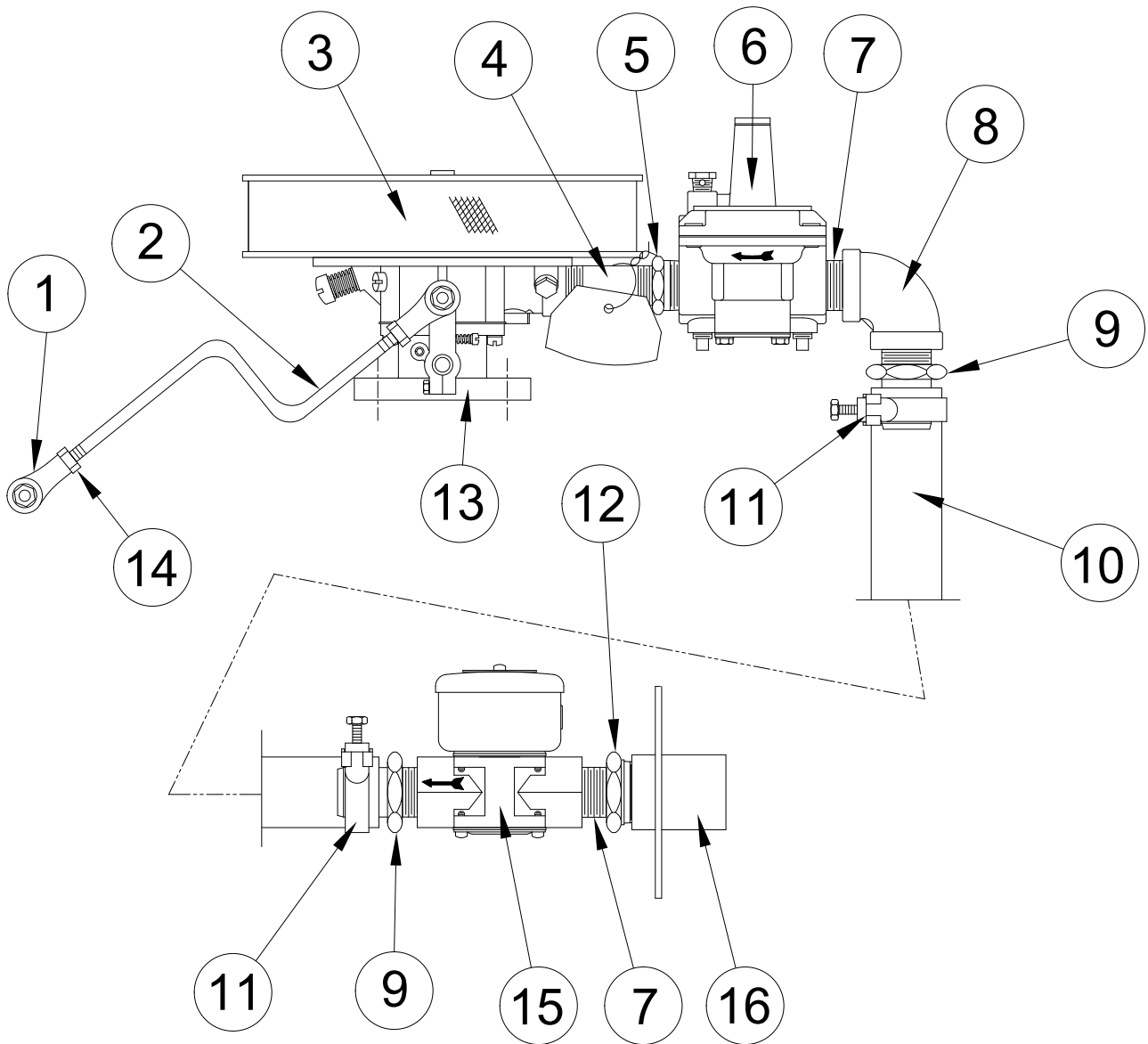
225 S. CORDOVA AVE.  
LECENTER, MN 56057  
507-357-6821  
SERVICE DEPT.  
507-357-6831  
wincogen.com

# ENGINE / GENERATOR ASSEMBLY



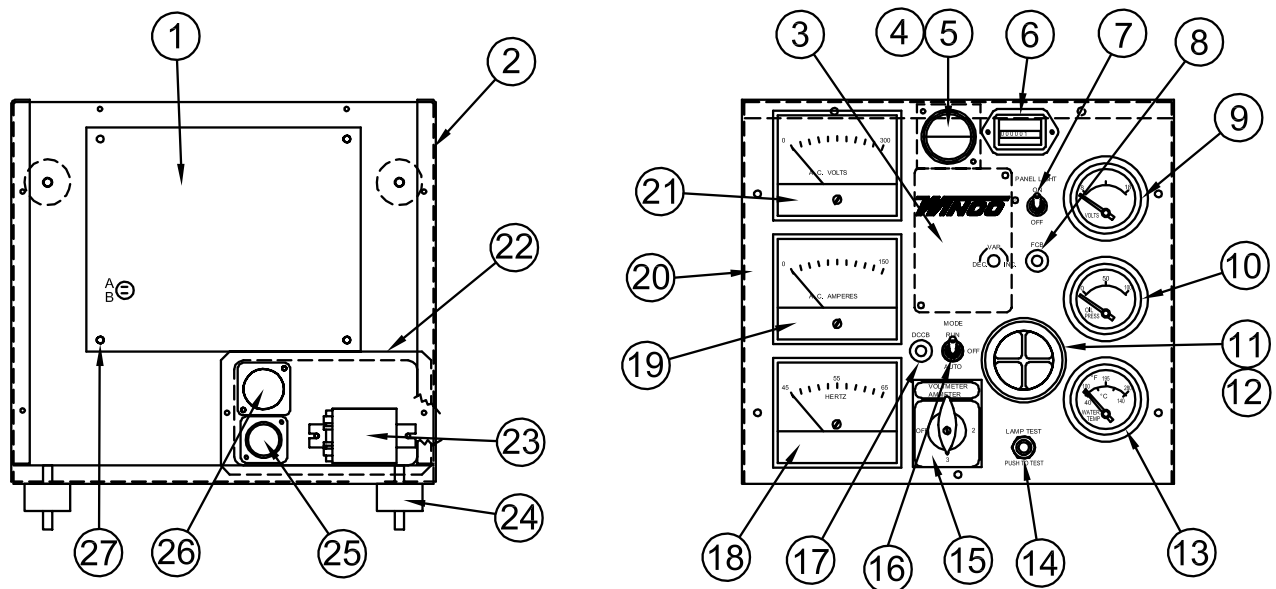
REF #	PART NUMBER	QTY	DESCRIPTION
1	Ford Part	1	Radiator
2	99375-000	1	Blower Fan
3	99363-000	1	Fan Guard
4	93569-001	1	Battery Rack
5	53220-057	1	Negative (-) Battery Cable
6	53220-056	1	Positive (+) Battery Cable
7	99473-000	1	Solenoid Mounting Bracket
8	80980-000	1	Start Solenoid
9	99059-000	1	Base Assembly
10	92469-001	1	Top Cover
11	15812-000	1	Conduit Box Cover
12	15816-000	1	Temperature Sensor
13	93073-000	2	Conduit Connector
14	92789-000	2	Conduit Box
15	95954-000	1	Bell Reducer
16	93824-001	1	Petcock
17	92382-000	1	90° Elbow
18	93689-000	.34 FT	3/4" Hose
19	93689-001	3.41 FT	5/8" Hose
20	99372-000	1	Engine, Ford, 2.3 Liter LSG423I-6005
21	99265-000	1	Water Temperature Sender
22	99267-001	1	Oil Pressure Sender
23	Reference	1	Ford Ignition Module
24	99057-000	1	Engine Control Support
25	99525-002	1	Governor Control
26	91642-001	1	Welded Box Assembly
27	92470-000	1	Upper Front Cover
28	91640-001	1	Lower Front Panel
29	92241-014	1	Generator Assembly
30	91337-003	1	Formed Cover
31	96000-004	12	3/8"-16 X 1.5" Bolt
32	350101-1	1	Magnetic Pick-up
33	98956-001	4	Shock Mounts
NI	PH8A	1*	Oil Filter
NI	RS12YC	4**	Spark Plug
NI	AF1-8	1**	Air Cleaner
NI	Not Illustrated		
*	Fram part #		
**	Champion part #		
***	IMPCO part #		

# FUEL SYSTEM ASSEMBLY NATURAL GAS & LP VAPOR



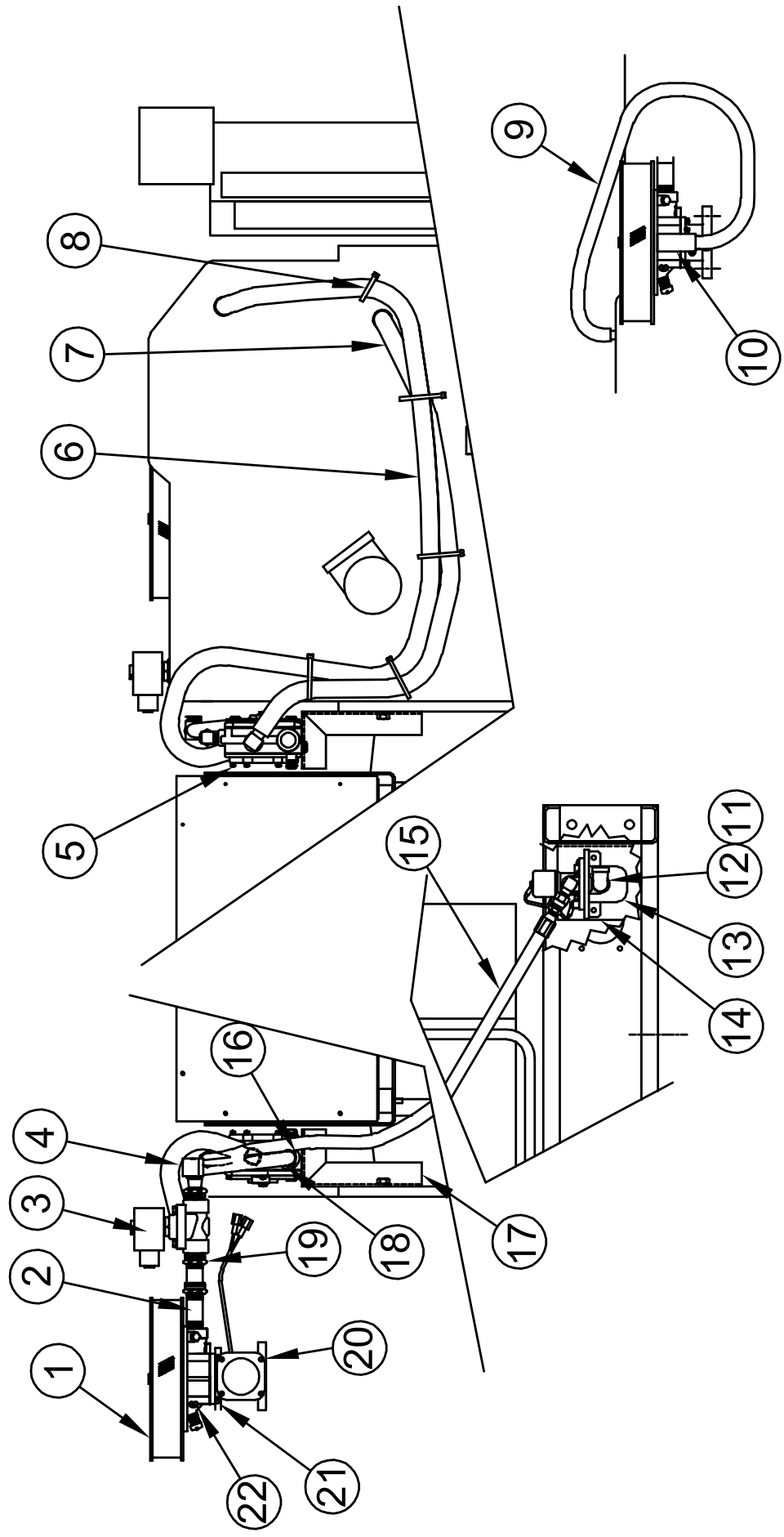
REF #	PART NUMBER	QTY	DESCRIPTION
1	63650-000	2	Ball Joint
2	63334-000	1	Governor Rod
3	AF1-8	1*	Impco Air Filter
4	22399-000	1	1/2" X 2 1/2" Pipe Nipple
5	81075-000	1	Pipe Bushing
6	50248-000	1	Regulator
7	22626-000	2	Pipe Nipple
8	50244-000	1	90° Pipe Elbow
9	92388-004	2	3/4" to 1" Hose Fitting
10	49409-000	3.34 Ft	1" Vapor Fuel Hose
11	50245-000	2	Hose Clamp
12	81077-000	1	1" X 3/4" Bushing
13	81072-000	1	Impco LP/NG Carburetor # CA125-13
14	2448-000	2	Hex Nut
15	42942-000	1	Solenoid
16	99065-000	1	Fuel Weldment
NI	94058-000	2.3 FT	Breather Hose
NI	Not Illustrated		
*	Impco part #		

## CONTROL CABINET ASSEMBLY



REF #	PART NUMBER	QTY	DESCRIPTION
1	72190-416	1	Engine Control Module
2	99056-000	1	Control Cabinet Back
3	98884-000	1	Voltage Regulator
4	99297-000	1	Light Backing Plate
5	95807-000	1	Panel Light
6	58166-006	1	Running Time Meter
7	71215-001	1	Toggle Switch
8	91286-007	1	5 Amp Circuit Breaker
9	99268-000	1	DC Voltage Gauge
10	99266-000	1	Oil Pressure Gauge
11	98946-001	1	Light Cluster
12	98947-000	1	Light Cluster Harness
13	99264-000	1	Water Temperature Gauge
14	71444-001	1	Push Button Switch
15	99003-001	1	Selector Switch -3 models
15	99003-000	1	Selector Switch -4, -17, -18
16	71216-001	1	Toggle Switch
17	91286-000	1	15 Amp Circuit Breaker
18	99272-002	1	Frequency Meter
19	99271-003	1	Ammeter -3 model
19	99271-002	1	Ammeter -4, -17 models
19	99271-006	1	Ammeter -18 model
20	99055-000	1	Control Cabinet Front
21	99270-003	1	Voltmeter -3, -4, -17 models
21	99270-002	1	Voltmeter -18 model
22	99343-000	1	Connector Mounting Plate
23	59944-006	1	Relay
24	71605-003	4	Shock Mount
25	96925-005	1	9 Pin Connector
26	96925-002	1	14 Pin Connector
27	91454-003	1	Spacer
NI	71234-005	2	Current Transformer -3 model
NI	71234-004	3	Current Transformer -4, -17
NI	71234-002	3	Current Transformer -18 model
NI	Not Illustrated		

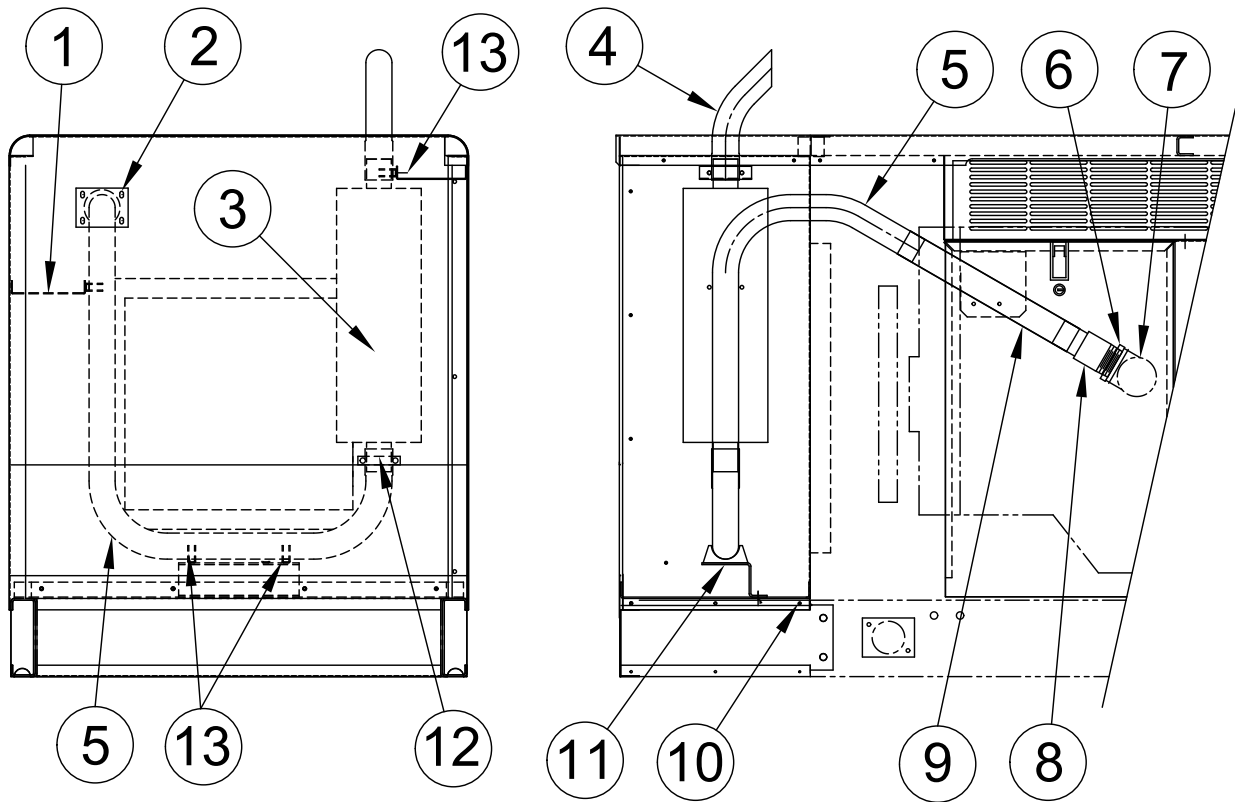
# LP LIQUID WITHDRAWAL ASSEMBLY



REF #	PART NUMBER	QTY	DESCRIPTION
1	81073-000	1	Air Cleaner
2	22399-000	1	Pipe Nipple
3	42942-000	1	Solenoid
4	92382-001	1	90° Reducer Elbow
5	81636-000	1	Converter - Regulator
6	93689-001	5' 8"	Hose
7	93689-001	3'	Hose
8	49975-011	6	Tie Wrap
9	94058-000	28"	Hose
10	93689-001	3"	Hose
11	81375-003	1	¼" X 1 ½" Nipple
12	92533-000	1	¼" 90° Elbow
13	99475-000	1	Solenoid Valve
14	99085-001	1	Fuel Cover Plate
15	92940-006	1	Hose Assembly
16	92388-001	2	Brass Hose Fitting
17	99364-000	1	Mounting Bracket
18	56107-000	6.75"	Hose
19	81075-000	2	Pipe Busing ½" F ¾" M
20	350486	1	Governor Actuator
21	350136	1	Gasket 1 ½" Flange
22	350495	1	Carburetor

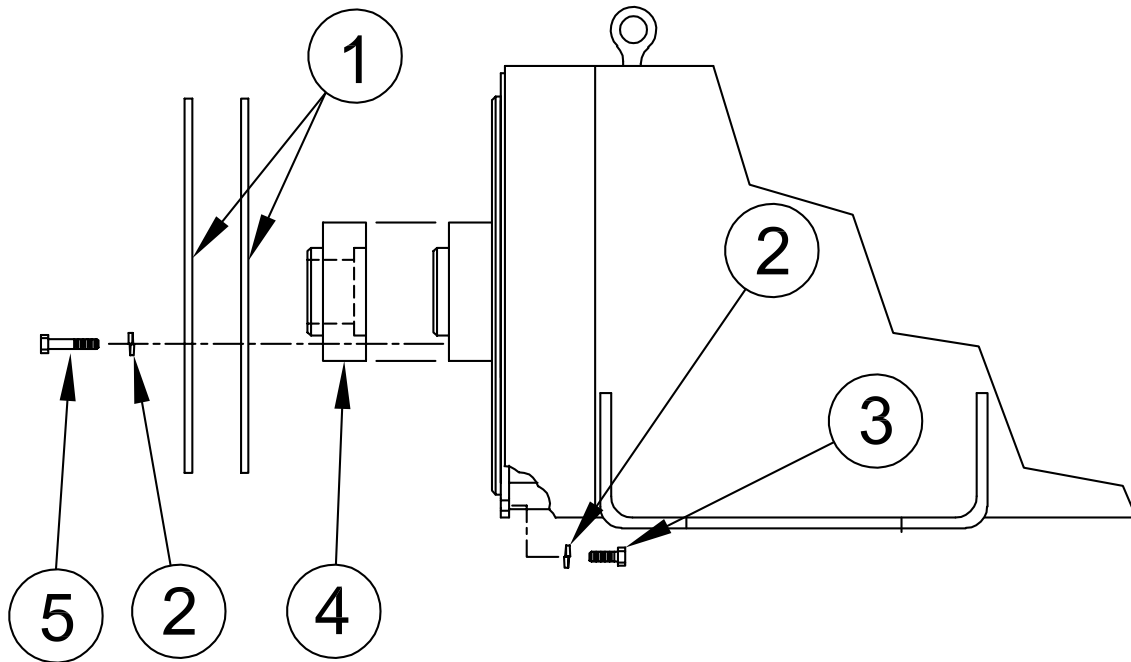


# EXHAUST ASSEMBLY



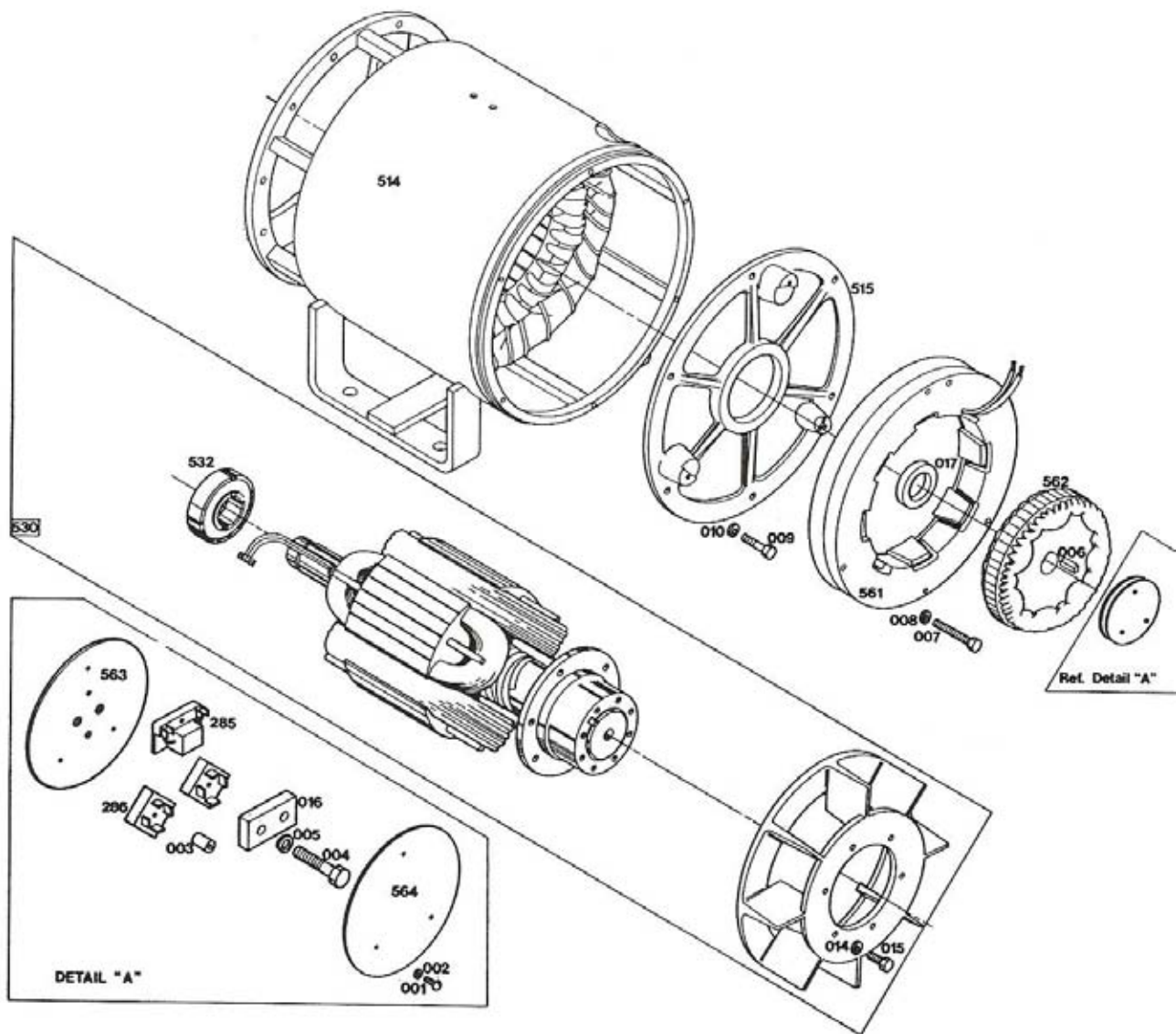
REF #	PART NUMBER	QTY	DESCRIPTION
1	99291-000	2	Exhaust Support
2	99060-001	1	Cover Plate
3	80519-001	1	Muffler
4	99299-000	1	Tail Pipe
5	99298-000	1	Exhaust Pipe
6	63274-000	1	Flange Adapter
7	92042-002	1	90° Elbow
8	99294-000	1	Exhaust Adapter
9	98412-002	1	Flex Exhaust Pipe
10	97274-000	40 FT	High Temperature Tape
11	99223-000	1	Air Chamber Floor
12	99234-000	1	Exhaust Support
13	93489-003	7	Muffler Clamp

# GENERATOR ADAPTER ASSEMBLY



REF #	PART NUMBER	QTY	DESCRIPTION
1	91564-000	2	Drive Disk
2	481-001	18	Split Lock Washer
3	96000-004	12	3/8"-16 X 1.5" Bolt
4	91524-000	1	Drive Disk Spacer
5	96000-007	6	3/8"-16 X 2.25" Bolt

# GENERATOR ASSEMBLY



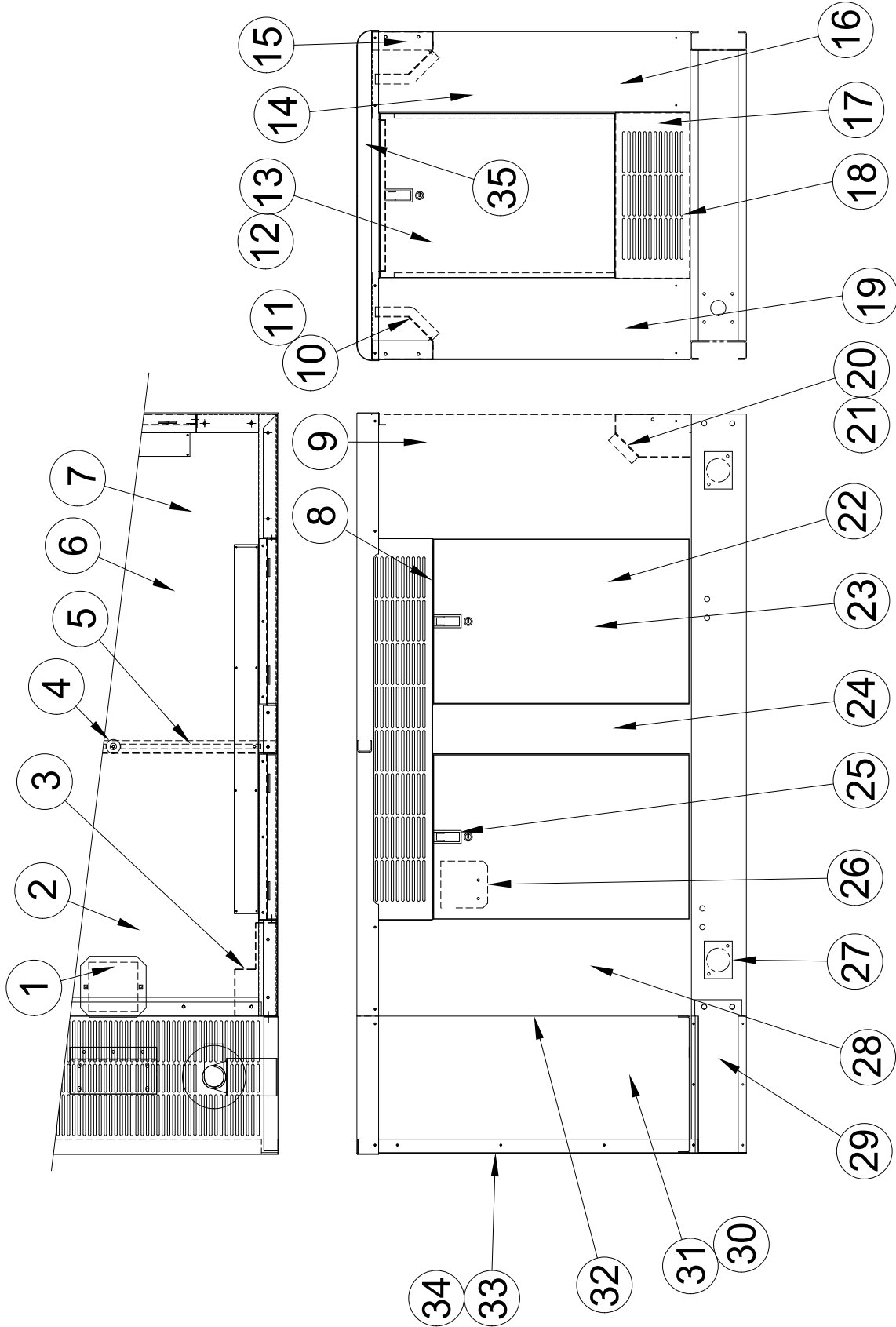
REF #	PART NUMBER	QTY	DESCRIPTION
001	91410-000	3	10-32 X 7/8" Threaded Stud
003	91454-001	3	10-32 X 3/4" Spacer
004	93617-005	2	7/16-14 X 1.5" Bolt
005	90570-001	2	Lock Washer
006	93622-000	1	Key
007	91431-000	3	1/4-28 X 2.75" Bolt
008	479-000	3	Split Lock Washer
009	91256-000	6	7/16-14 X 1.75" Bolt
010	90570-000	6	Split Lock Washer
016	93616-000	1	Exciter Retainer Bar

REF #	PART NUMBER	QTY	DESCRIPTION
017	93615-000	1	Exciter Support Collar
285	91455-000	1	Surge Suppressor
286	91452-000	2	Bridge Rectifier
514	92239-014	1	Stator Assembly
515	91620-000	1	End Bracket
530	92244-005	1	Rotor Assembly
532	91627-000	1*	Bearing
561	91665-000	1	Exciter Stator
562	91442-000	1	Exciter Rotor
563	91411-000	1	Retainer
564	91491-000	1	Insulator
*			Comes with rotor assy.
Detail			
A	91413-000	1	Complete Retainer Assembly

## DECALS

REF #	PART NUMBER	QTY	DESCRIPTION
NI	15750-001	1	Ground Decal
NI	97813-000	3	Auto Start Warning
NI	15209-000	1	Warning Decal
NI	56596-000	1	Fuel Decal
NI	56597-000	1	Fuel Decal
NI	63941-001	1	Hot Surface Decal
NI	64891-001	1	Electrical Code Decal
NI	63941-003	1	Battery Warning Decal
NI	15210-004	1	Fuel Consumption Decal
NI	Not Illustrated		

# HOUSING ASSEMBLY

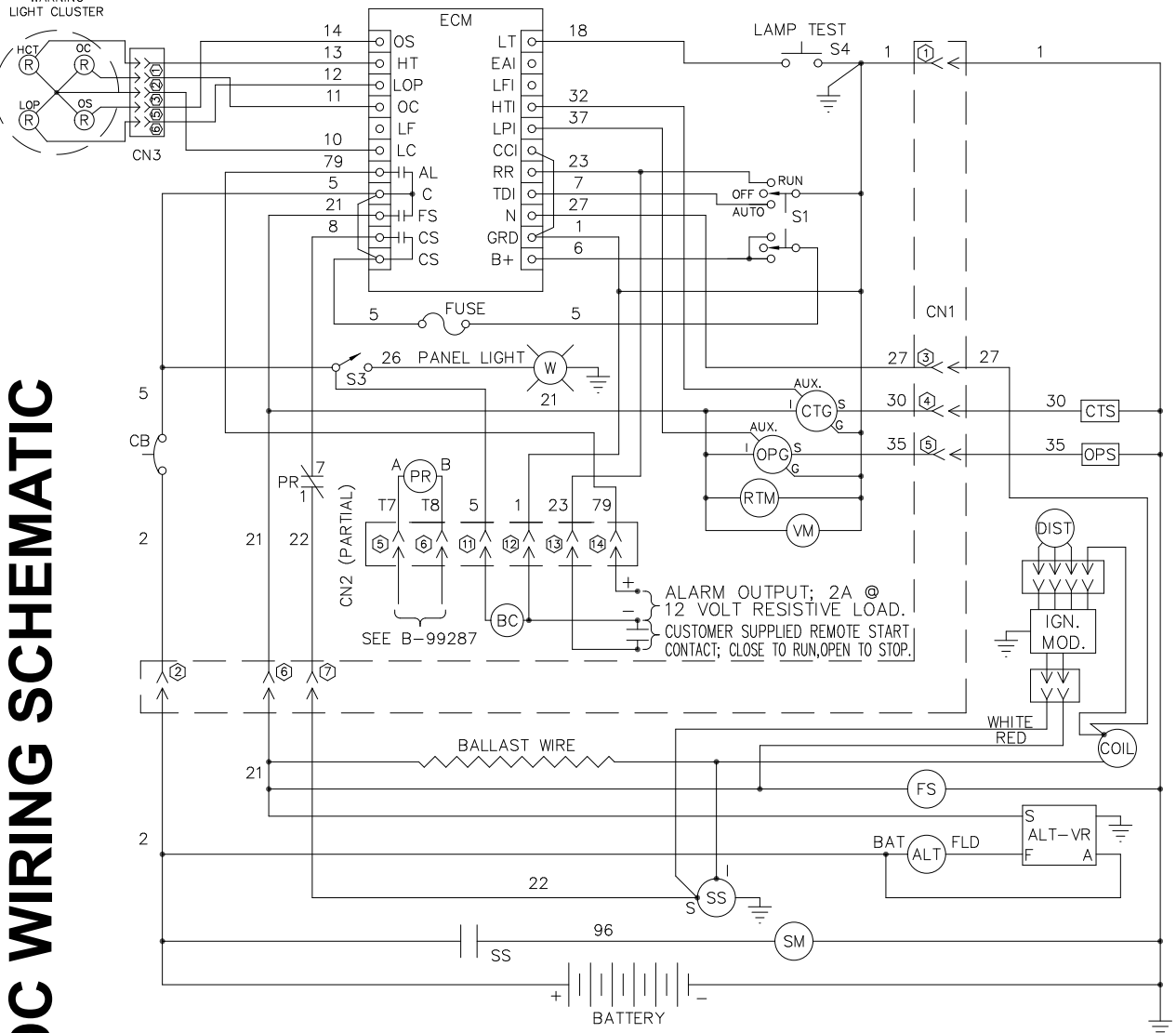


REF #	PART NUMBER	QTY	DESCRIPTION
1	62026-003	1	Cover Plate
2	99095-402	1	Foam Piece
3	99378-001	2	Front Housing Baffle
4	62825-011	1	Spacer
5	99225-000	1	Roof Support
6	99095-405	1	Foam Piece
7	99086-000	1	Roof
8	99224-000	4	Door Jam
9	99095-411	2	Foam Piece
10	99103-001	2	Backing Plate
11	99095-408	4	Foam Piece
12	99095-413	1	Door Foam
13	15680-013	1	Rear Door
14	99095-410	2	Foam Piece
15	99098-000	2	Sill
16	99067-001	1	Right Rear Corner Post
17	99100-000	1	Rear Sill
18	466-000	4	1/4"-20 X 3/4" Bolt
19	99067-000	1	Left Rear Corner Post
20	99095-404	1	Foam Piece
21	99103-000	1	Backing Plate
22	99095-412	4	Door Foam
23	15680-009	4	Side Door
24	99066-000	2	Mullion
25	95229-004	5	Door Latch
26	99500-000	1	Heat Shield
27	99060-000	4	Cover Plate
28	99071-000	1	Housing Front
29	99079-000	2	Base Extension
30	99082-001	1	Right Side Extension
31	99082-000	1	Left Side Extension
32	92421-000	8 FT	Foam
33	99083-000	1	Front Extension Panel
34	99095-406	1	Foam Piece
35	99408-001	1	Roof End
NI	62912-000	40 FT	Foam Strip
NI	Not Illustrated		

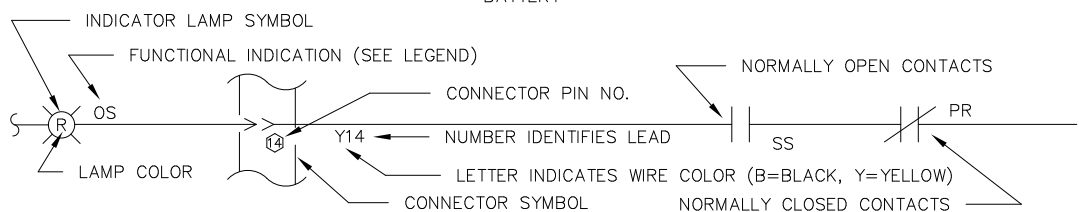
**LEGEND**

ALT	ALTERNATOR
ALT-VR	ALTERNATOR VOLTAGE REGULATOR
BC	BATTERY CHARGER
CB	CIRCUIT BREAKER
CN1,CN2	WIRING HARNESS CONNECTORS
CTG	COOLANT TEMPERATURE GAUGE
CTS	COOLANT TEMPERATURE SENDER
ECM	ENGINE CONTROL MODULE
FS	FUEL SOLENOID
GND	GROUND (CHASSIS OR FRAME)
OPG	OIL PRESSURE GAUGE
OPS	OIL PRESSURE SENDER
OS	OVERSPEED INDICATOR LAMP
PR	PROTECTIVE RELAY, STARTER
RTM	RUNNING TIME METER
S1	ENGINE START MODE SWITCH
S3	PANEL ILLUMINATION LIGHT SWITCH
S4	ENGINE SHUTDOWN INDICATOR LAMP TEST SWITCH
SS	ENGINE STARTER MOTOR SOLENOID
SM	ENGINE STARTER MOTOR
VM	D.C. VOLTMETER

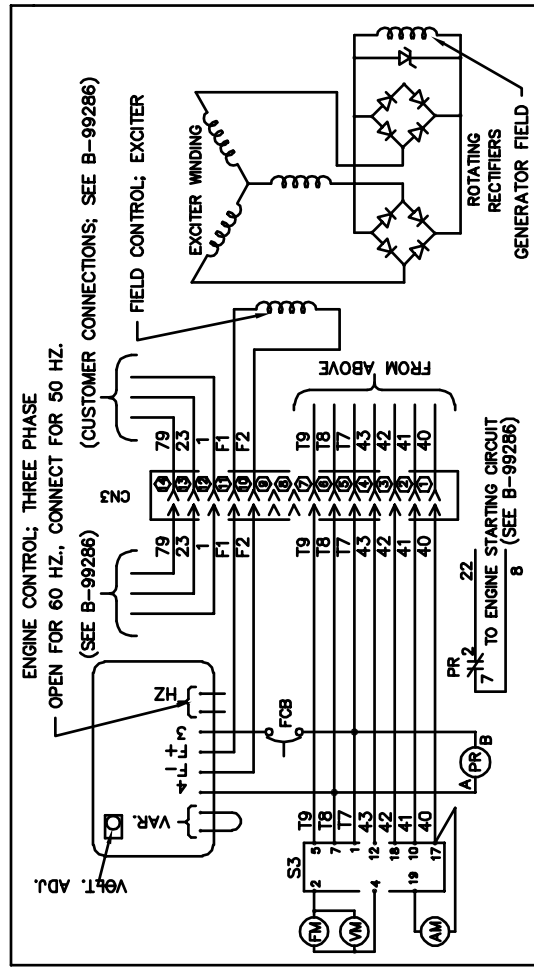
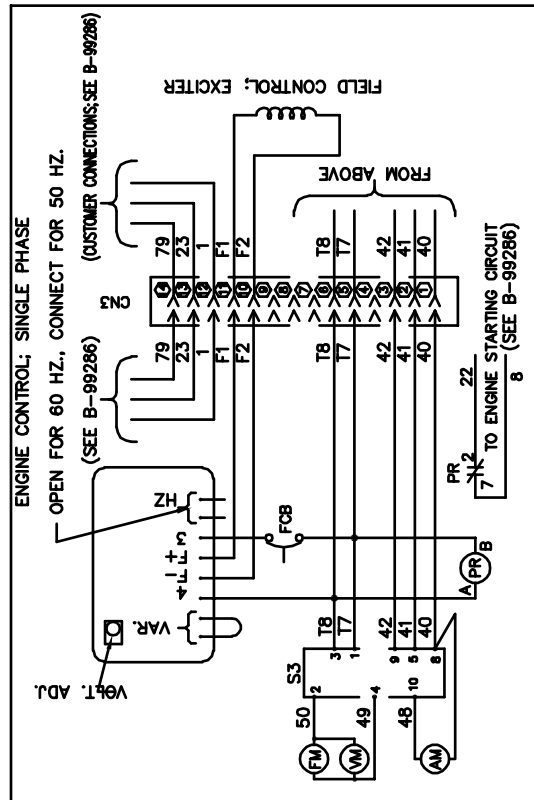
WARNING LIGHT CLUSTER



**DC WIRING SCHEMATIC**

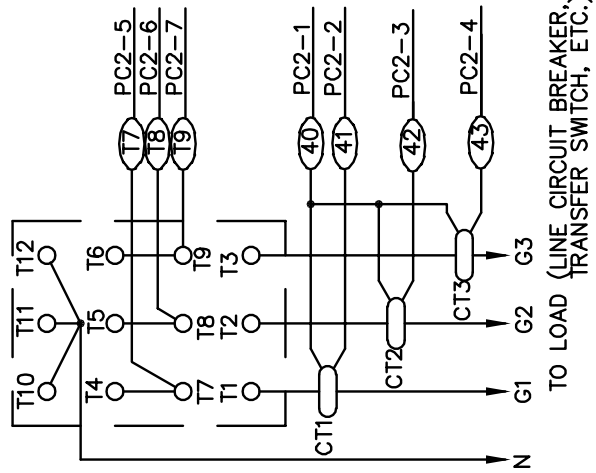
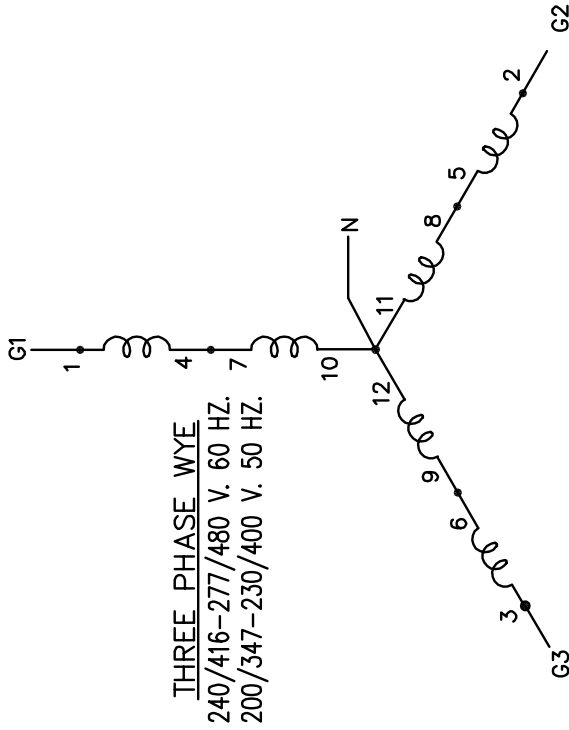


# VOLTAGE REGULATOR WIRING

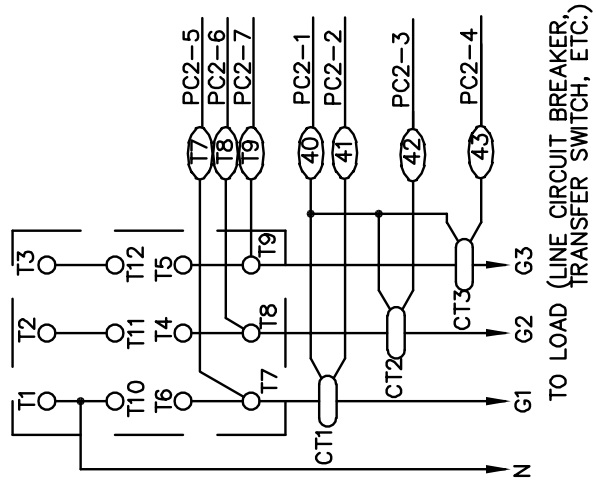
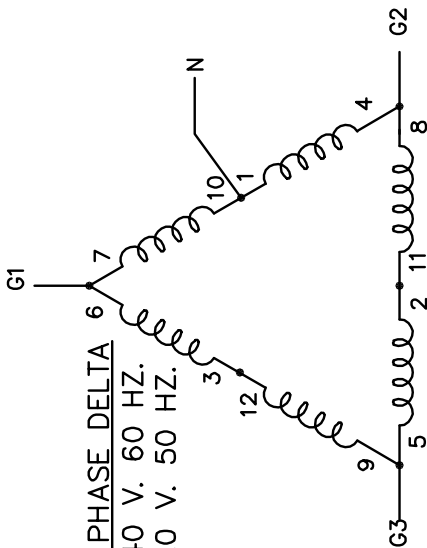




# AC WIRING SCHEMATIC

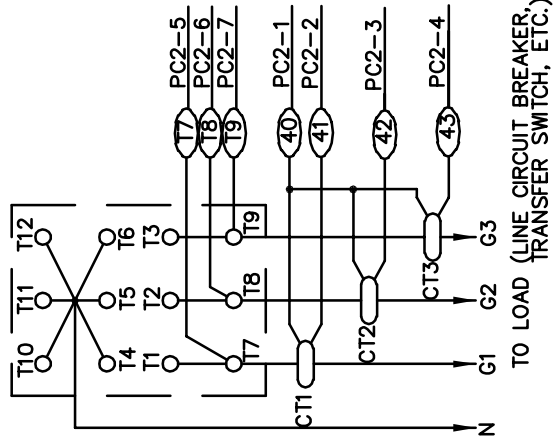
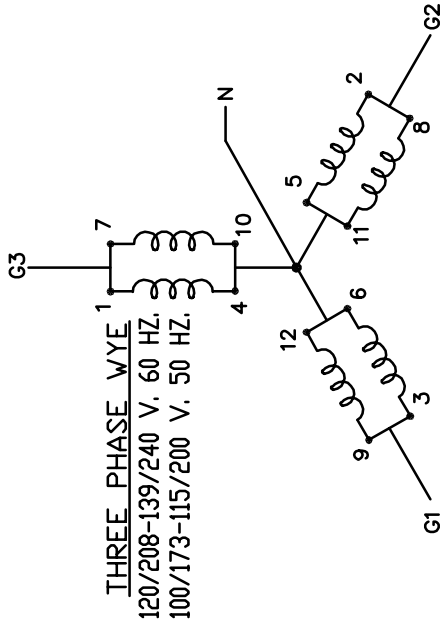


**PSS35-17/A**

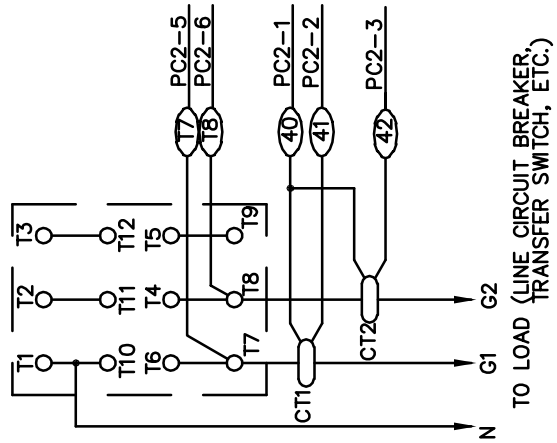
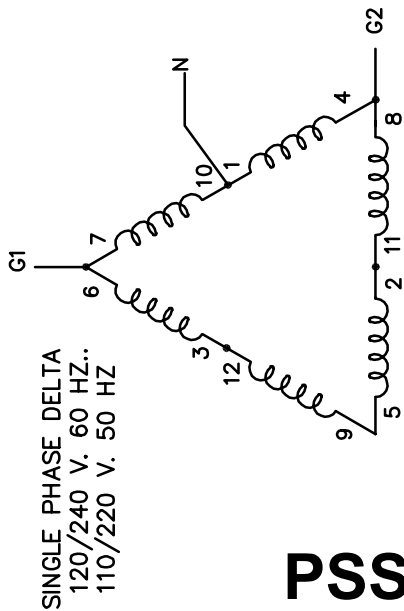


**PSS35-18/A**

# AC WIRING SCHEMATIC



## PSS35-4/A



## PSS35-3/A