



ILLUSTRATED PARTS LIST

PSS35-3/B, C, D, E

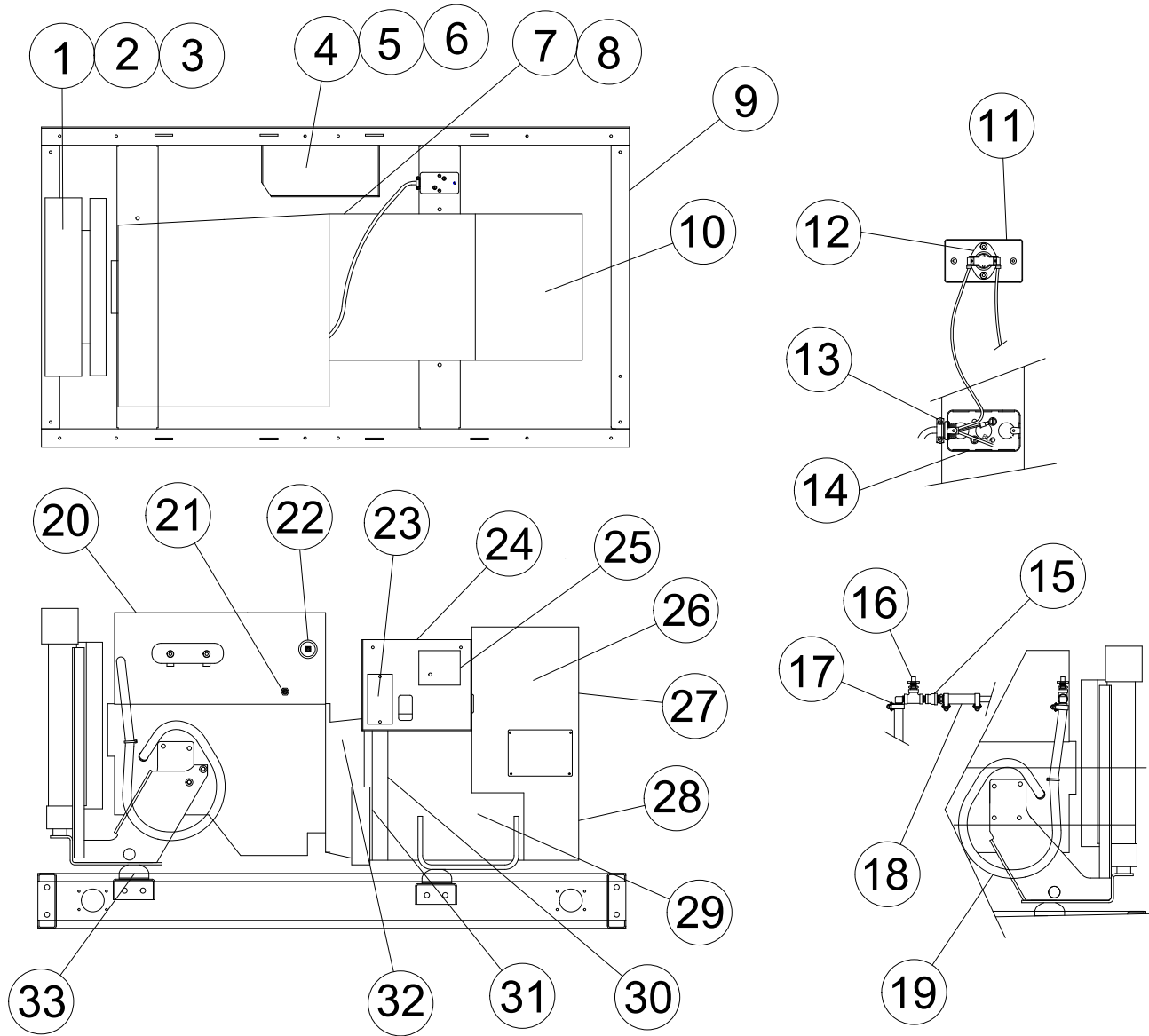
PSS35-4/B, C, D, E

PSS35-17/B, C, D, E

PSS35-18/B, C, D, E

225 S. CORDOVA AVE.
LECENTER, MN 56057
507-357-6821
SERVICE DEPT.
507-357-6831
wincogen.com

ENGINE / GENERATOR ASSEMBLY



| REF # | PART NUMBER | QTY | DESCRIPTION |
|-------|-----------------|------------------|---|
| 1 | Ford Part | 1 | Radiator |
| 2 | 99375-000 | 1 | Blower Fan |
| 3 | 99395-000 | 1 | Right Side Fan Guard |
| 3a | 99396-000 | 1 | Left Side Fan Guard |
| 4 | 93569-001 | 1 | Battery Rack |
| 5 | 53220-057 | 1 | Negative (-) Battery Cable |
| 6 | 53220-056 | 1 | Positive (+) Battery Cable |
| 7 | 99473-000 | 1 | Solenoid Mounting Bracket |
| 8 | 80980-000 | 1 | Start Solenoid |
| 9 | 99059-000 | 1 | Base Assembly |
| 10 | 92469-001 | 1 | Top Cover |
| 11 | 15812-000 | 1 | Conduit Box Cover |
| 12 | 15816-000 | 1 | Temperature Sensor |
| 13 | 93073-000 | 2 | Conduit Connector |
| 14 | 92789-000 | 2 | Conduit Box |
| 15 | 95954-000 | 1 | Bell Reducer |
| 16 | 93824-001 | 1 | Petcock |
| 17 | 92382-000 | 1 | 90° Elbow |
| 18 | 93689-000 | .34 FT | 3/4" Hose |
| 19 | 93689-001 | 3.41 FT | 5/8" Hose |
| 20 | 99463-000 | 1 for /B, /C, /D | Engine, Ford, 2.3 Liter LRG-423P-6006F |
| 20 | 99657-000 | 1 for /E | Engine, Ford, 2.3 Liter LRG-425I-6005F |
| 21 | 99265-000 | 1 | Water Temperature Sender |
| 22 | 99267-001 | 1 | Oil Pressure Sender |
| 23 | Reference | 1 | Ford Ignition Module |
| 24 | 99057-000 | 1 | Engine Control Support |
| 25 | 99525-002 | 1 | Governor Control |
| 26 | 91642-001 | 1 | Welded Box Assembly |
| 27 | 92470-000 | 1 | Upper Front Cover |
| 28 | 91640-001 | 1 | Lower Front Panel |
| 29 | 92241-014 | 1 | Generator Assembly |
| 30 | 91337-003 | 1 | Formed Cover |
| 31 | 96000-004 | 12 | 3/8"-16 X 1.5" Bolt |
| 32 | 350101-1 | 1* | Magnetic Pick-up |
| 33 | 98956-001 | 4 | Shock Mounts |
| NI | PH8A | 1** | Oil Filter |
| NI | RS12YC | 4*** | Spark Plug |
| NI | AF1-8 | 1**** | Air Cleaner |
| NI | 82505-003 | 1 | Block Heater |
| NI | Not Illustrated | | |

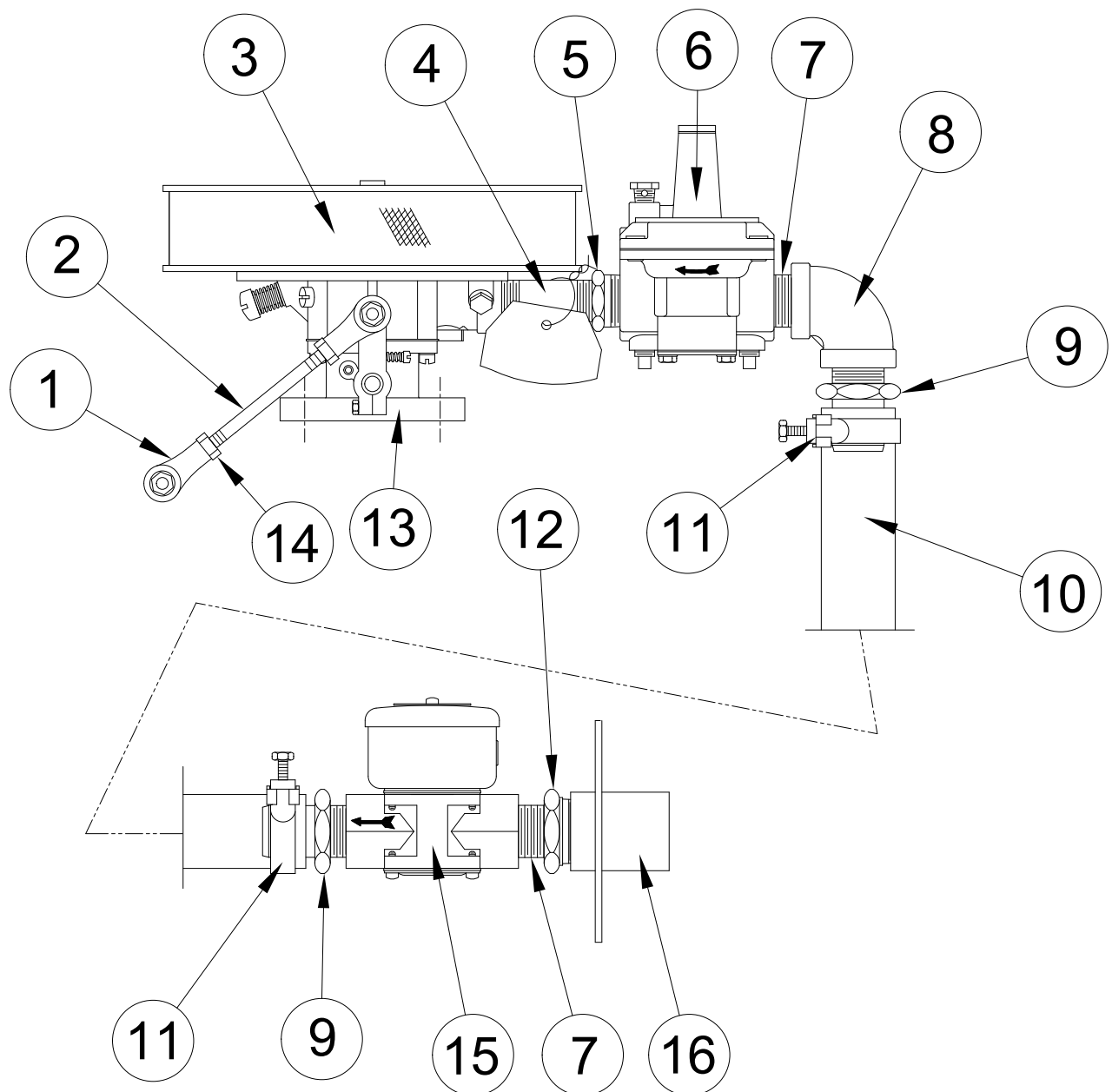
* Used on /B and /E versions. Check with Winco Service Department.

** Fram part #

*** Champion part #

**** IMPCO part #

FUEL SYSTEM ASSEMBLY PSS35/B, C



| REF # | PART NUMBER | QTY | DESCRIPTION |
|-------|-----------------|---------|--------------------------------------|
| 1 | 63650-000 | 2 | Ball Joint |
| 2 | 63334-000 | 1 | Governor Rod |
| 3 | AF1-8 | 1* | Impco Air Filter |
| 4 | 22399-000 | 1 | 1/2" X 2 1/2" Pipe Nipple |
| 5 | 81075-000 | 1 | Pipe Bushing |
| 6 | 50248-000 | 1 | Regulator |
| 7 | 22626-000 | 2 | Pipe Nipple |
| 8 | 50244-000 | 1 | 90° Pipe Elbow |
| 9 | 92388-004 | 2 | 3/4" to 1" Hose Fitting |
| 10 | 49409-000 | 3.34 Ft | 1" Vapor Fuel Hose |
| 11 | 50245-000 | 2 | Hose Clamp |
| 12 | 81077-000 | 1 | 1" X 3/4" Bushing |
| 13 | 81072-000 | 1 | Impco LP/NG Carburetor # CA125-13 |
| 14 | 2448-000 | 2 | Hex Nut |
| 15 | 42942-000 | 1 | Solenoid |
| 16 | 99065-000 | 1 | Fuel Weldment |
| NI | 94058-000 | 2.3 FT | Breather Hose |
| NI | Not Illustrated | | |
| * | Impco part # | | |

GOVERNOR INFORMATION

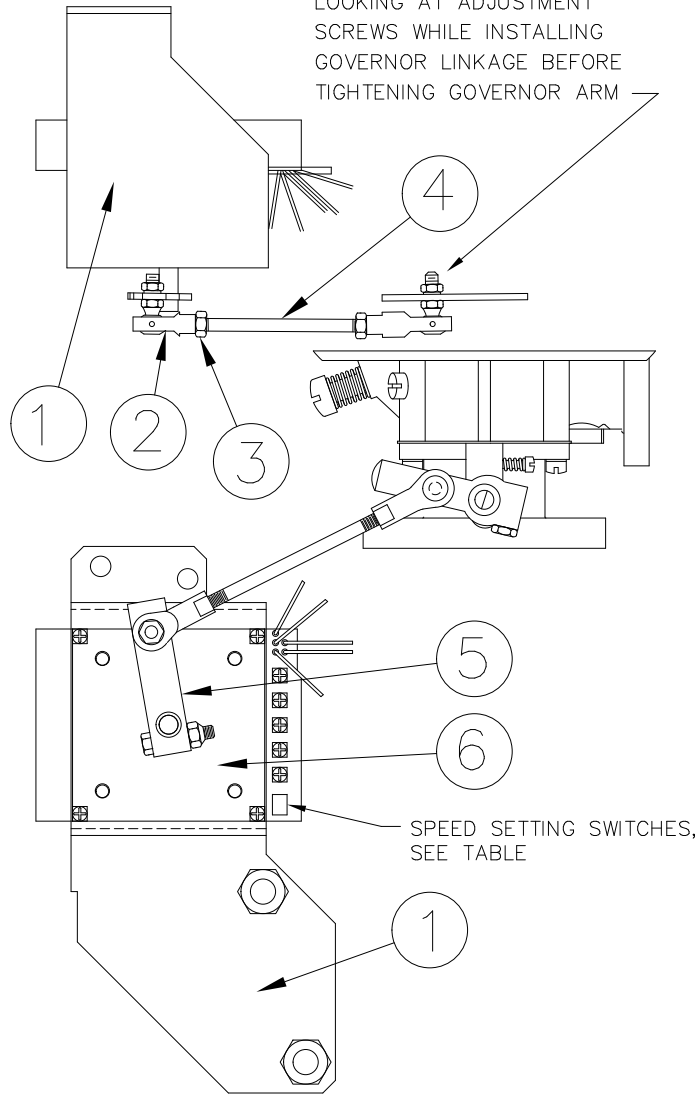
| MODEL | BASE PART NUMBER | GOVERNOR | DC WIRING SCHEMATIC | ENGINE WIRING HARNESS |
|---------|----------------------------|--|---------------------|-----------------------|
| PSS35/A | 99377-XXX released 6/95 | MECHANICAL | 99286-000 | 99350-000 |
| PSS35/B | 99465-XXX released 8/95 | WOODWARD MPU 99411-001 NEW Gov kit 60714-418 | 99286-002 | 99350-001 |
| PSS35/C | 99465-xxx released 1\97 | WOODWARD IGN 99411-002 NEW Gov kit 60714-417 | 99286-003 | 99350-002 |
| PSS35/D | 99465-XXX released 3/98 | DYNA IGN & EGA 99411-003 NEW Gov kit 60714-419 | 99286-005 | 99350-003 |
| PSS35/E | 99672-XXX released 6/99 | DYNA 1 MPU & EGA | 99286-007 | 99350-006 |
| PSS35/F | 99680-XXX released 9/99 | DYNA 1 MPU & CARB CTRL | 99286-007 | 99350-006 |
| PSS35/G | 99700-XXX released 4/00 | Battery Charger Added | 99286-007 | 99350-006 |

GOVERNOR ASSEMBLY

PSS35/B & /C

| | | | | | |
|-------------------------------|-------|-----|-----|-----|-----|
| GOVERNOR SPEED SETTINGS | MODEL | SW1 | SW2 | SW3 | SW4 |
| | PSS35 | ON | ON | ON | ON |

TURN SHAFT CW WHEN
LOOKING AT ADJUSTMENT
SCREWS WHILE INSTALLING
GOVERNOR LINKAGE BEFORE
TIGHTENING GOVERNOR ARM



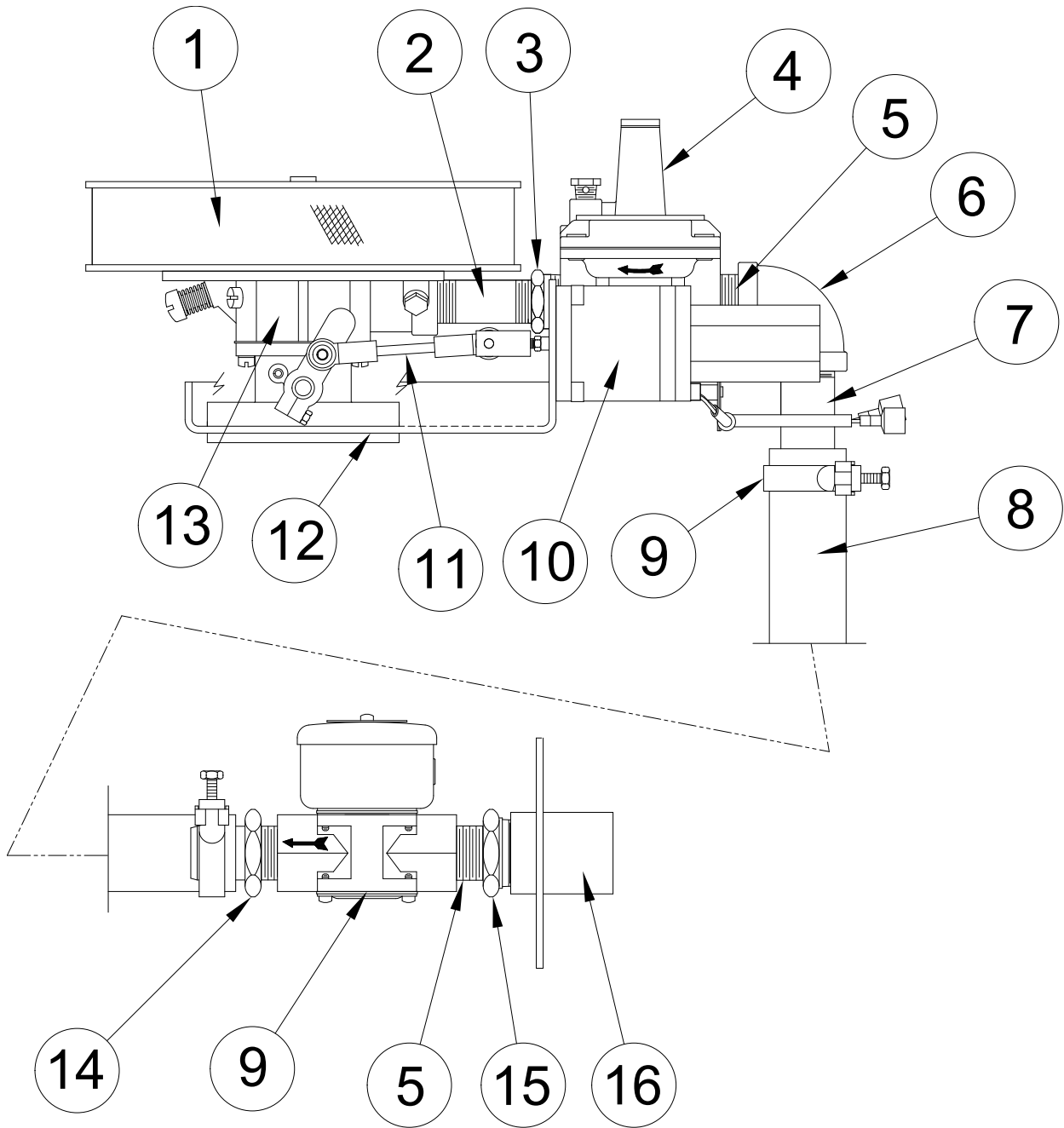
| REF # | PART NUMBER | QTY | DESCRIPTION |
|-------|-------------|-----|---------------------|
| 1 | 99461-000 | 1 | Mounting Bracket |
| 2 | 63650-000 | 2 | Ball Joint |
| 3 | 2448-000 | 4 | Lock Nut |
| 4 | 82149-002 | 1 | Threaded Rod |
| 5 | 99413-000 | 1 | Governor Arm |
| 6 | 99412-001 | 1 | Electronic Governor |
| NI | 350101-1 | 1 | Magnetic Pick-up |

NEW GOVERNOR REPLACEMENT KIT FOR /B: 60714-418

NEW GOVERNOR REPLACEMENT KIT FOR /C: 60714-417

**** Consult Winco Service Department when ordering governor kit.****

FUEL SYSTEM ASSEMBLY PSS35/D

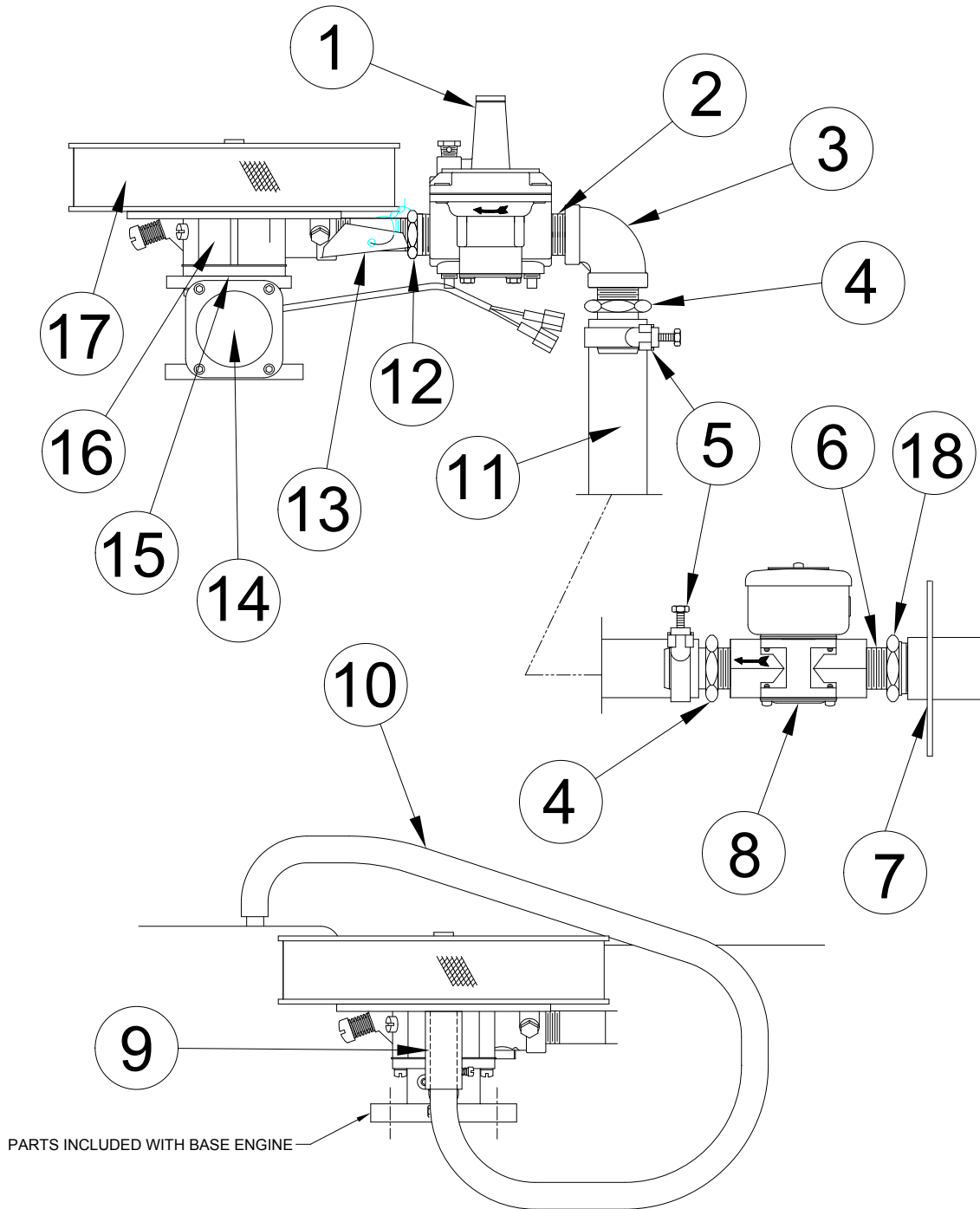


| REF # | PART NUMBER | QTY | DESCRIPTION |
|-------|--------------|---------|--------------------------------------|
| 1 | F1-8 | 1* | Impco Air Filter |
| 2 | 50247-000 | 1 | ½" X 4" Pipe Nipple |
| 3 | 81075-000 | 1 | Pipe Bushing |
| 4 | 50248-000 | 1 | Regulator |
| 5 | 22626-000 | 2 | Pipe Nipple |
| 6 | 50244-000 | 1 | 90° Pipe Elbow |
| 7 | 81084-000 | 1 | Hose Fitting |
| 8 | 49409-000 | 3.34 Ft | 1" Vapor Fuel Hose |
| 9 | 50245-000 | 2 | Hose Clamp |
| 10 | 99526-000 | 1 | Governor Actuator |
| 11 | 99527-000 | 1 | Linkage Kit |
| 12 | 350136 | 1 | Actuator Mounting Bracket |
| 13 | 81072-000 | 1 | Impco LP/NG Carburetor # CA125-13 |
| 14 | 92388-004 | 1 | ¾" to 1" Hose Fitting |
| 15 | 81077-000 | 1 | 1" X ¾" Bushing |
| 16 | 99065-000 | 1 | Fuel Weldment |
| * | Impco part # | | |

NEW GOVERNOR REPLACEMENT KIT FOR /D: 60714-419

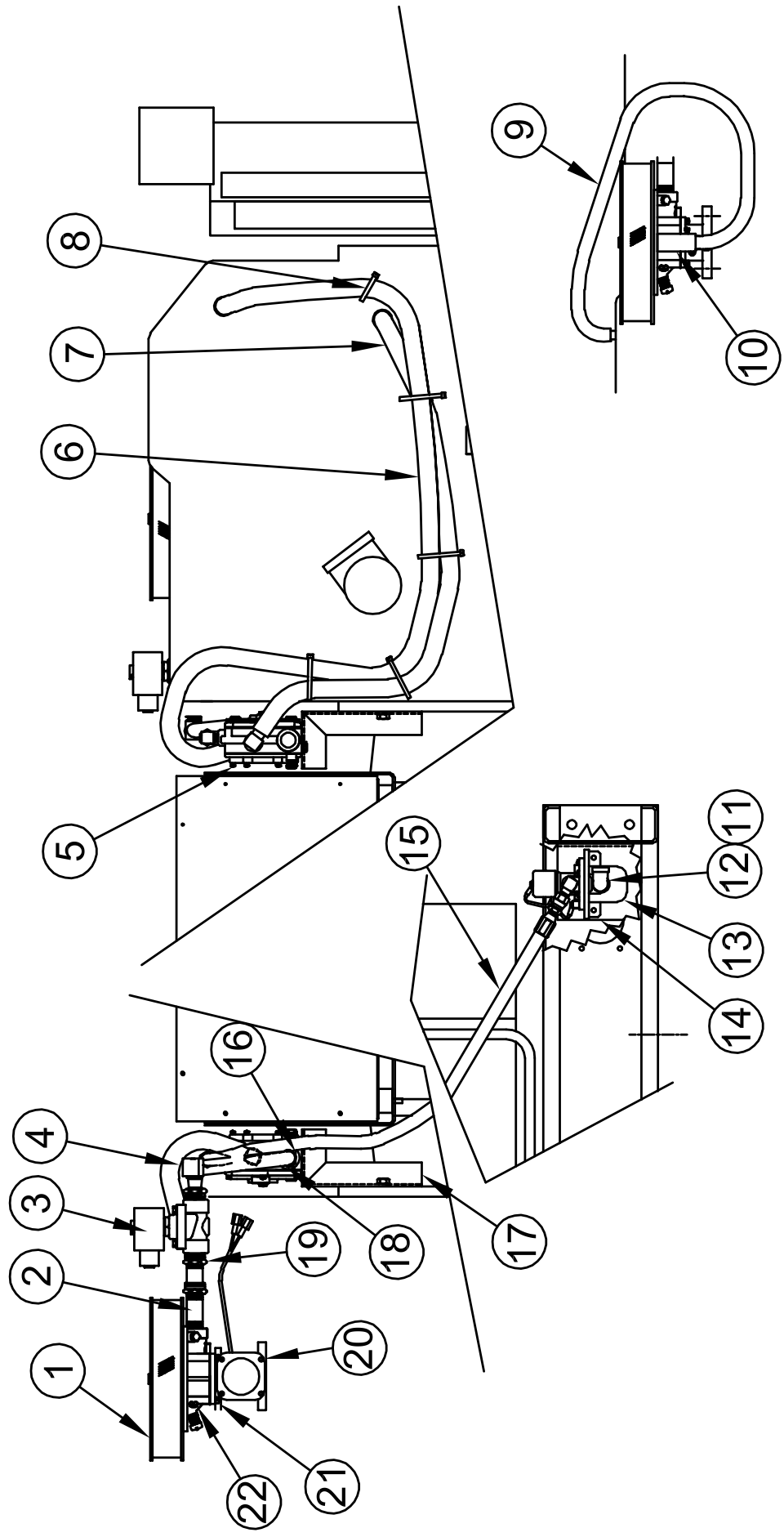
**** Consult Winco Service Department when ordering governor kit.****

FUEL SYSTEM ASSEMBLY PSS35/E



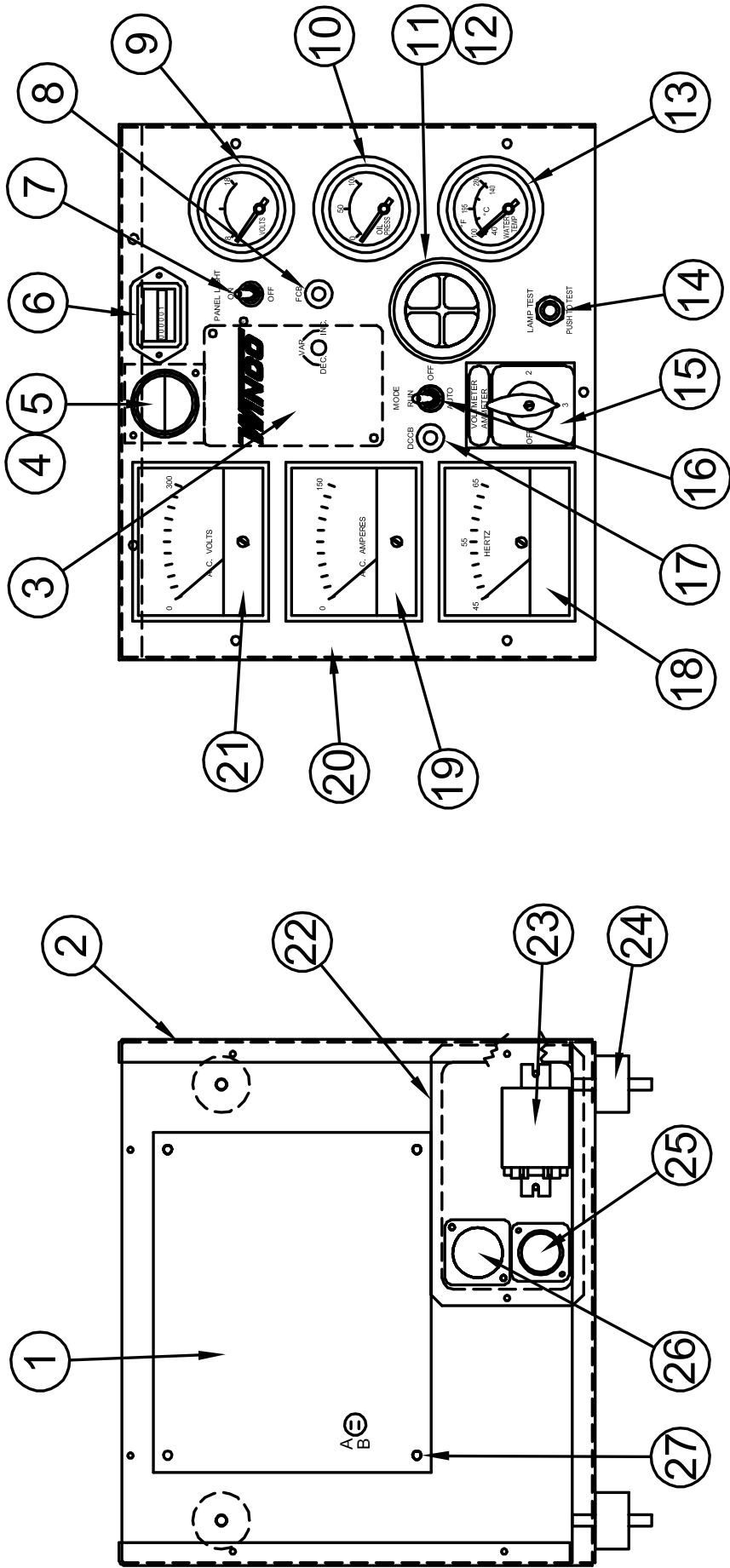
| REF # | PART NUMBER | QTY | DESCRIPTION |
|-------|--------------|--------|-------------------------|
| 1 | 50248-000 | 1 | Regulator |
| 2 | 22626-000 | 2 | Pipe Nipple |
| 3 | 50244-000 | 1 | 90° Elbow |
| 4 | 92388-004 | 2 | ¾" to 1" Hose Fitting |
| 5 | 50245-000 | 2 | Clamp |
| 6 | 81077-000 | 1 | Bushing |
| 7 | 99065-000 | 1 | Fuel Inlet Weldment |
| 8 | 42942-000 | 1 | Solenoid Valve |
| 9 | 93689-001 | .25 FT | Hose |
| 10 | 94058-000 | 2.3 FT | Hose |
| 11 | 49409-000 | 40" | 1" Fuel Hose |
| 12 | 81075-000 | 1 | Pipe Bushing ½" M, ¾" F |
| 13 | 24933-000 | 1 | Pipe Nipple ½" X 4 ½" |
| 14 | 350486 | 1 | Governor Actuator |
| 15 | 350136-000 | 1 | Gasket |
| 16 | 350495 | 1 | Fuel Mixer |
| 17 | AF1-8 | 1* | Impco Air Cleaner |
| 18 | 81077-000 | 1 | 1" X ¾" Bushing |
| * | Impco Part # | | |

LP LIQUID WITHDRAWAL ASSEMBLY



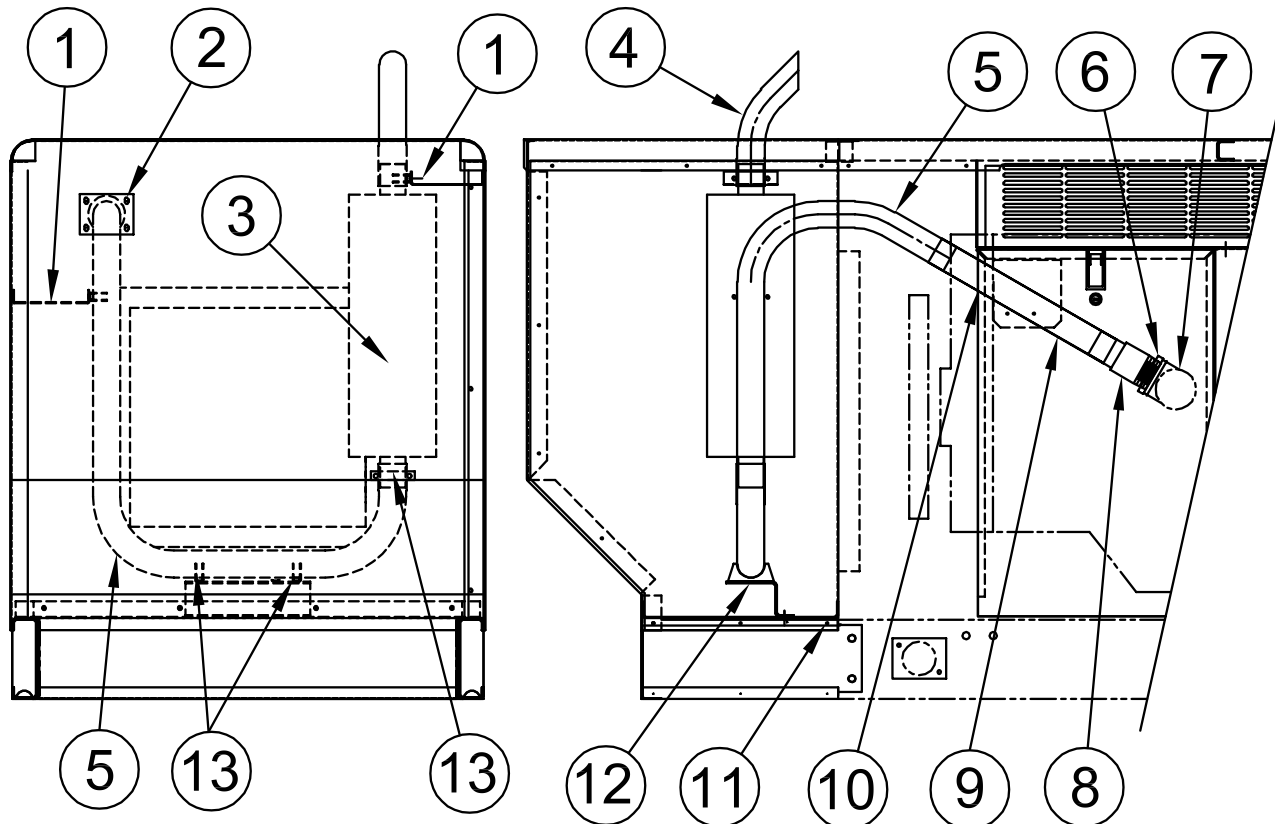
| REF # | PART NUMBER | QTY | DESCRIPTION |
|-------|-------------|-------|-----------------------|
| 1 | 81073-000 | 1 | Air Cleaner |
| 2 | 22399-000 | 1 | Pipe Nipple |
| 3 | 42942-000 | 1 | Solenoid |
| 4 | 92382-001 | 1 | 90° Reducer Elbow |
| 5 | 81636-000 | 1 | Converter - Regulator |
| 6 | 93689-001 | 5' 8" | Hose |
| 7 | 93689-001 | 3' | Hose |
| 8 | 49975-011 | 6 | Tie Wrap |
| 9 | 94058-000 | 28" | Hose |
| 10 | 93689-001 | 3" | Hose |
| 11 | 81375-003 | 1 | ¼" X 1 ½" Nipple |
| 12 | 92533-000 | 1 | ¼" 90° Elbow |
| 13 | 99475-000 | 1 | Solenoid Valve |
| 14 | 99085-001 | 1 | Fuel Cover Plate |
| 15 | 92940-006 | 1 | Hose Assembly |
| 16 | 92388-001 | 2 | Brass Hose Fitting |
| 17 | 99364-000 | 1 | Mounting Bracket |
| 18 | 56107-000 | 6.75" | Hose |
| 19 | 81075-000 | 2 | Pipe Busing ½" F ¾" M |
| 20 | 350486 | 1 | Governor Actuator |
| 21 | 350136 | 1 | Gasket 1 ½" Flange |
| 22 | 350495 | 1 | Carburetor |

CONTROL CABINET ASSEMBLY



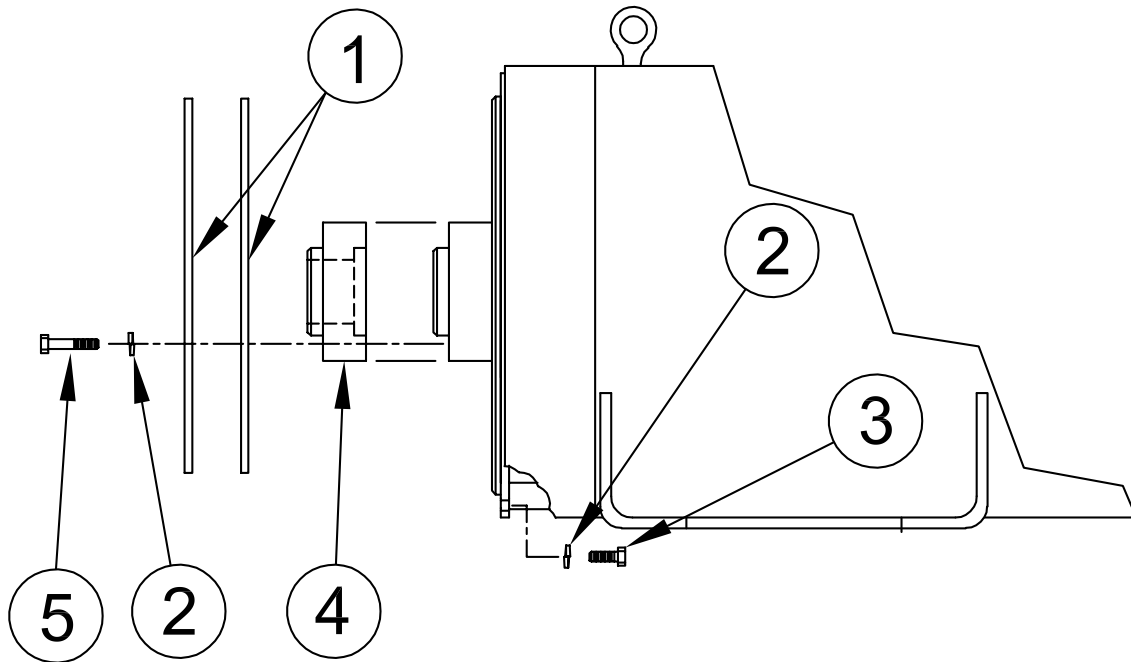
| REF # | PART NUMBER | QTY | DESCRIPTION |
|-------|-----------------|-----|-------------------------------|
| 1 | 72190-416 | 1 | Engine Control Module |
| 2 | 99056-000 | 1 | Control Cabinet Back |
| 3 | 98884-000 | 1 | Voltage Regulator |
| 4 | 99297-000 | 1 | Light Backing Plate |
| 5 | 95807-000 | 1 | Panel Light |
| 6 | 58166-006 | 1 | Running Time Meter |
| 7 | 71215-001 | 1 | Toggle Switch |
| 8 | 91286-007 | 1 | 5 Amp Circuit Breaker |
| 9 | 99268-000 | 1 | DC Voltage Gauge |
| 10 | 99266-000 | 1 | Oil Pressure Gauge |
| 11 | 98946-001 | 1 | Light Cluster |
| 12 | 98947-000 | 1 | Light Cluster Harness |
| 13 | 99264-000 | 1 | Water Temperature Gauge |
| 14 | 71444-001 | 1 | Push Button Switch |
| 15 | 99003-001 | 1 | Selector Switch -3 models |
| 15 | 99003-000 | 1 | Selector Switch -4, -17, -18 |
| 16 | 71216-001 | 1 | Toggle Switch |
| 17 | 91286-000 | 1 | 15 Amp Circuit Breaker |
| 18 | 99272-002 | 1 | Frequency Meter |
| 19 | 99271-003 | 1 | Ammeter -3 model |
| 19 | 99271-002 | 1 | Ammeter -4, -17 models |
| 19 | 99271-006 | 1 | Ammeter -18 model |
| 20 | 99055-000 | 1 | Control Cabinet Front |
| 21 | 99270-003 | 1 | Voltmeter -3, -4, -17 models |
| 21 | 99270-002 | 1 | Voltmeter -18 model |
| 22 | 99343-000 | 1 | Connector Mounting Plate |
| 23 | 59944-006 | 1 | Relay |
| 24 | 71605-003 | 4 | Shock Mount |
| 25 | 96925-005 | 1 | 9 Pin Connector |
| 26 | 96925-002 | 1 | 14 Pin Connector |
| 27 | 91454-003 | 1 | Spacer |
| NI | 71234-005 | 2 | Current Transformer -3 model |
| NI | 71234-004 | 3 | Current Transformer -4, -17 |
| NI | 71234-002 | 3 | Current Transformer -18 model |
| NI | Not Illustrated | | |

EXHAUST ASSEMBLY



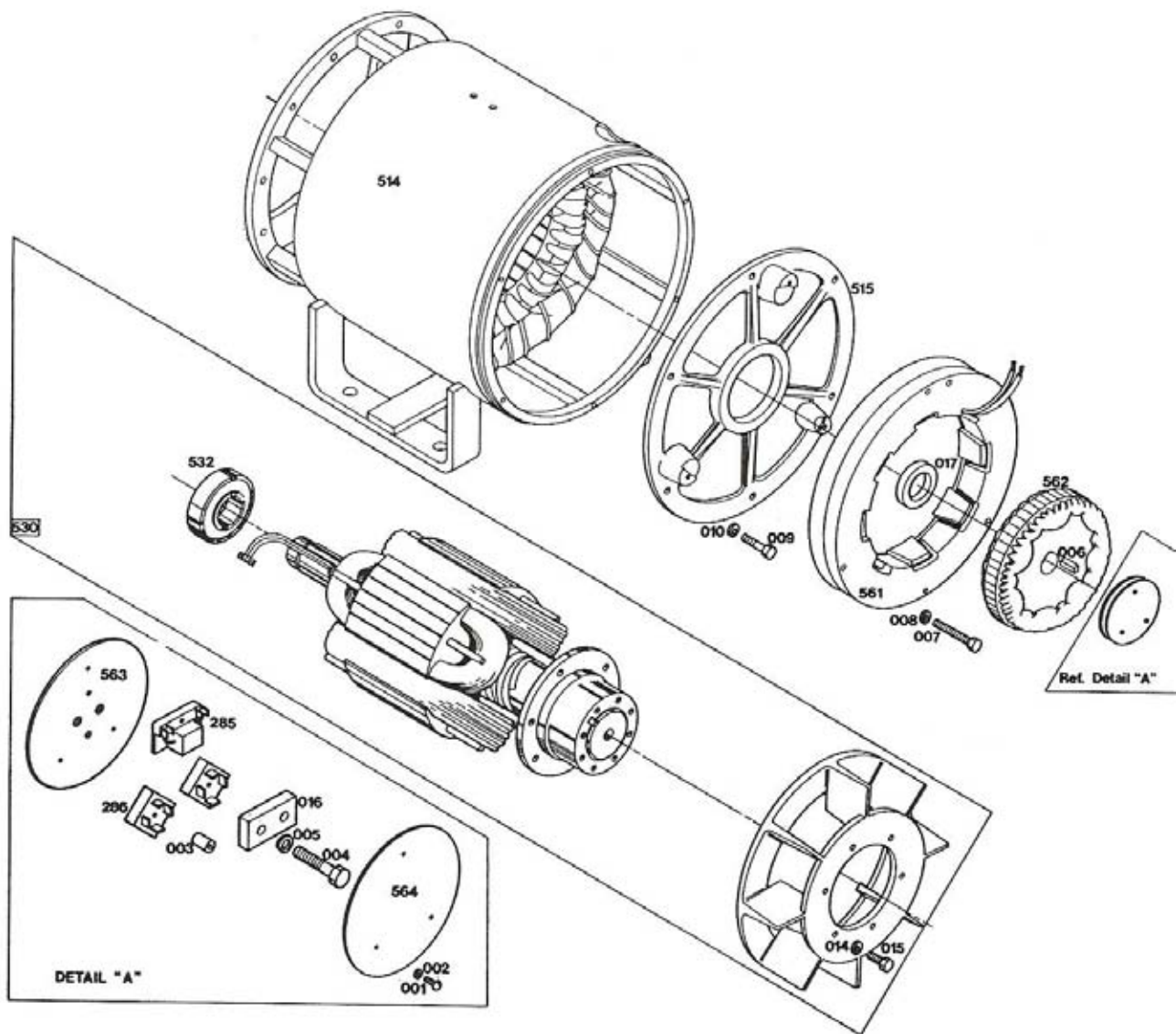
| REF # | PART NUMBER | QTY | DESCRIPTION |
|-------|-------------|-------|-----------------------|
| 1 | 99291-000 | 2 | Exhaust Support |
| 2 | 99060-001 | 1 | Cover Plate |
| 3 | 80519-001 | 1 | Muffler |
| 4 | 99299-000 | 1 | Tail Pipe |
| 5 | 99298-000 | 1 | Exhaust Pipe |
| 6 | 63274-000 | 1 | Flange Adapter |
| 7 | 92042-002 | 1 | 90° Elbow |
| 8 | 99294-000 | 1 | Exhaust Adapter |
| 9 | 98412-002 | 1 | Flex Exhaust Pipe |
| 10 | 97274-000 | 40 FT | High Temperature Tape |
| 11 | 99223-000 | 1 | Air Chamber Floor |
| 12 | 99234-000 | 1 | Exhaust Support |
| 13 | 93489-003 | 7 | Muffler Clamp |

GENERATOR ADAPTER ASSEMBLY



| REF # | PART NUMBER | QTY | DESCRIPTION |
|-------|-------------|-----|----------------------|
| 1 | 91564-000 | 2 | Drive Disk |
| 2 | 481-001 | 18 | Split Lock Washer |
| 3 | 96000-004 | 12 | 3/8"-16 X 1.5" Bolt |
| 4 | 91524-000 | 1 | Drive Disk Spacer |
| 5 | 96000-007 | 6 | 3/8"-16 X 2.25" Bolt |

GENERATOR ASSEMBLY



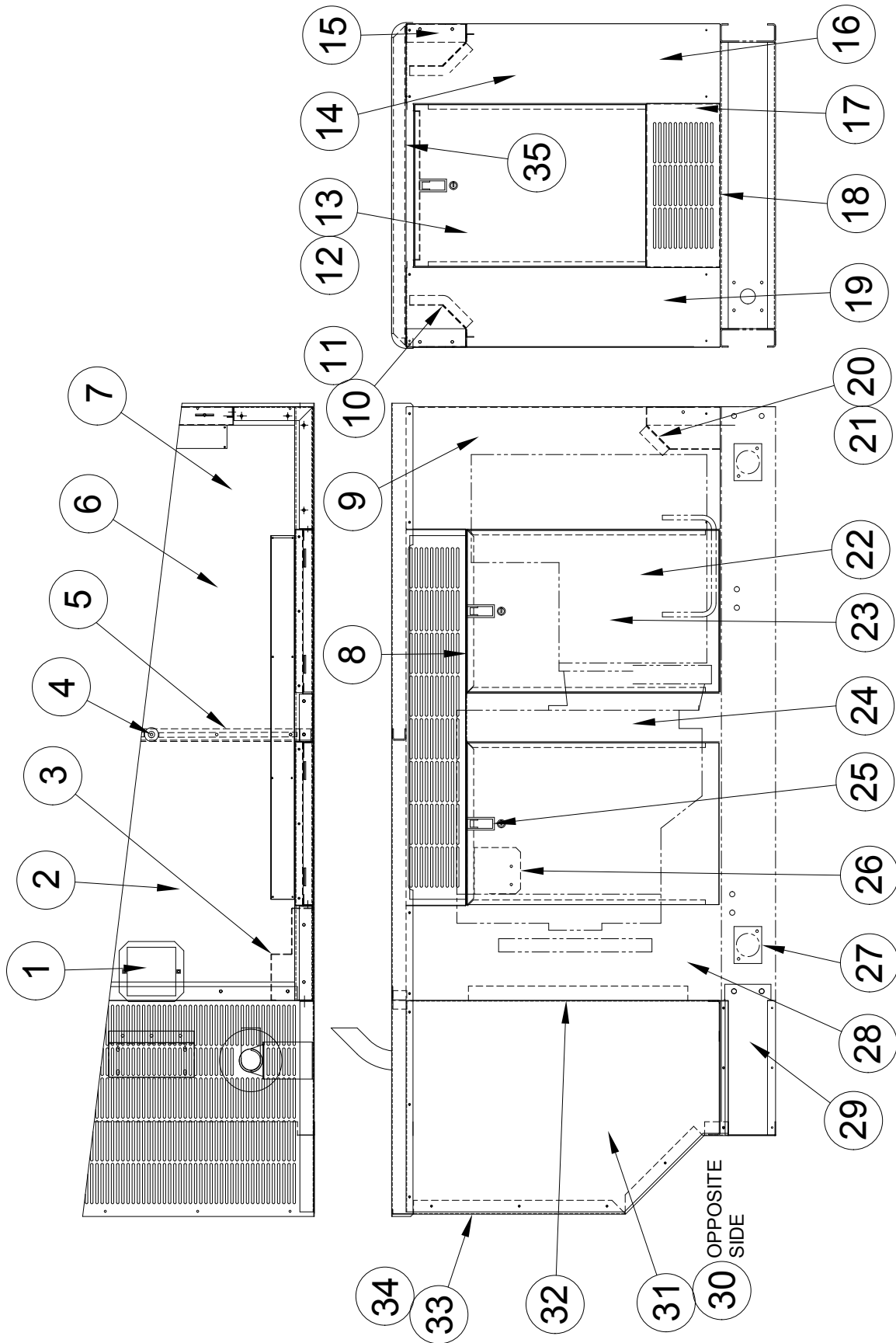
| REF # | PART NUMBER | QTY | DESCRIPTION |
|-------|-------------|-----|----------------------------|
| 001 | 91410-000 | 3 | 10-32 X 7/8" Threaded Stud |
| 003 | 91454-001 | 3 | 10-32 X 3/4" Spacer |
| 004 | 93617-005 | 2 | 7/16-14 X 1.5" Bolt |
| 005 | 90570-001 | 2 | Lock Washer |
| 006 | 93622-000 | 1 | Key |
| 007 | 91431-000 | 3 | 1/4-28 X 2.75" Bolt |
| 008 | 479-000 | 3 | Split Lock Washer |
| 009 | 91256-000 | 6 | 7/16-14 X 1.75" Bolt |
| 010 | 90570-000 | 6 | Split Lock Washer |
| 016 | 93616-000 | 1 | Exciter Retainer Bar |

| REF # | PART NUMBER | QTY | DESCRIPTION |
|--------|-------------|-----|----------------------------|
| 017 | 93615-000 | 1 | Exciter Support Collar |
| 285 | 91455-000 | 1 | Surge Suppressor |
| 286 | 91452-000 | 2 | Bridge Rectifier |
| 514 | 92239-014 | 1 | Stator Assembly |
| 515 | 91620-000 | 1 | End Bracket |
| 530 | 92244-005 | 1 | Rotor Assembly |
| 532 | 91627-000 | 1* | Bearing |
| 561 | 91665-000 | 1 | Exciter Stator |
| 562 | 91442-000 | 1 | Exciter Rotor |
| 563 | 91411-000 | 1 | Retainer |
| 564 | 91491-000 | 1 | Insulator |
| * | | | Comes with rotor assy. |
| Detail | | | |
| A | 91413-000 | 1 | Complete Retainer Assembly |

DECALS

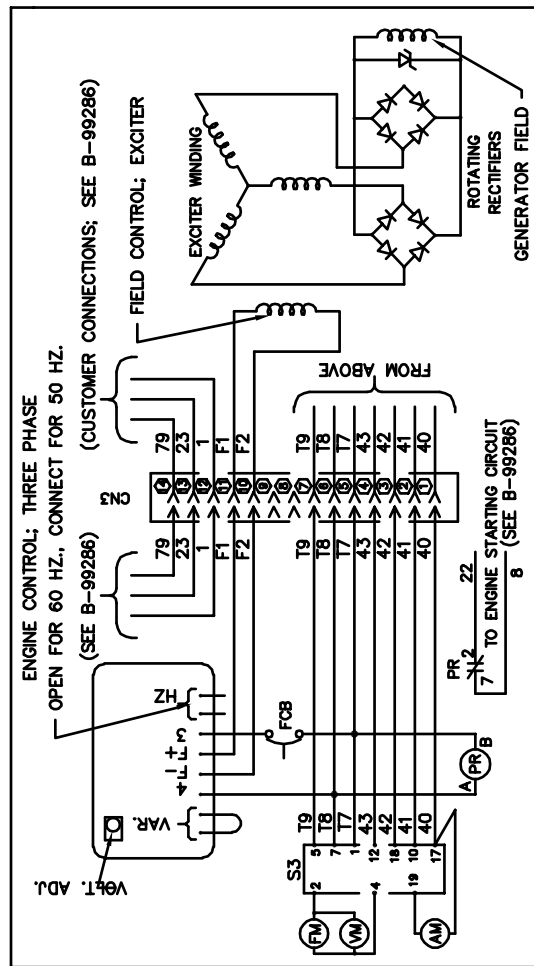
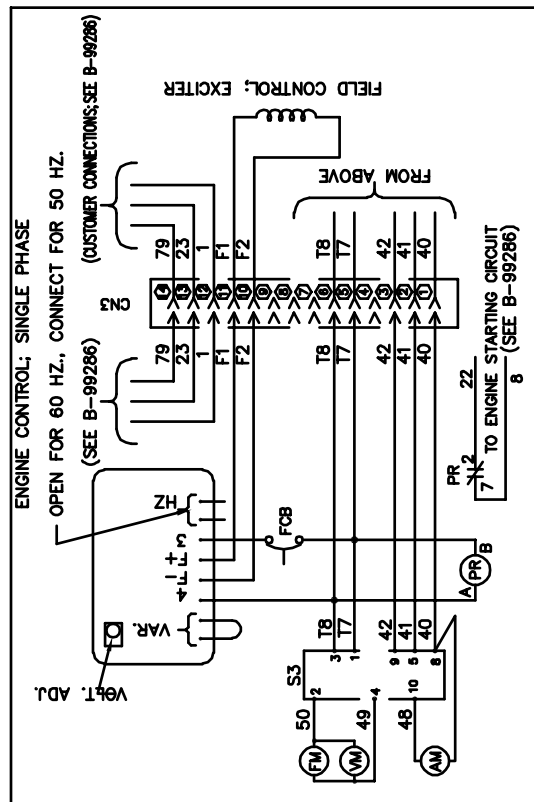
| REF # | PART NUMBER | QTY | DESCRIPTION |
|-------|-----------------|-----|------------------------|
| NI | 15750-001 | 1 | Ground Decal |
| NI | 97813-000 | 3 | Auto Start Warning |
| NI | 15209-000 | 1 | Warning Decal |
| NI | 56596-000 | 1 | Fuel Decal |
| NI | 56597-000 | 1 | Fuel Decal |
| NI | 63941-001 | 1 | Hot Surface Decal |
| NI | 64891-001 | 1 | Electrical Code Decal |
| NI | 63941-003 | 1 | Battery Warning Decal |
| NI | 15210-004 | 1 | Fuel Consumption Decal |
| NI | Not Illustrated | | |

HOUSING ASSEMBLY

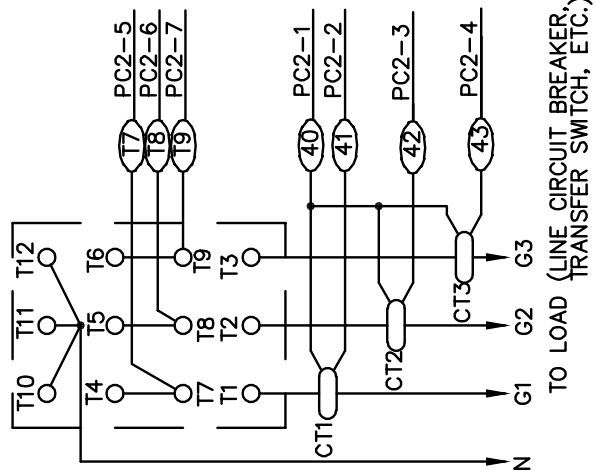
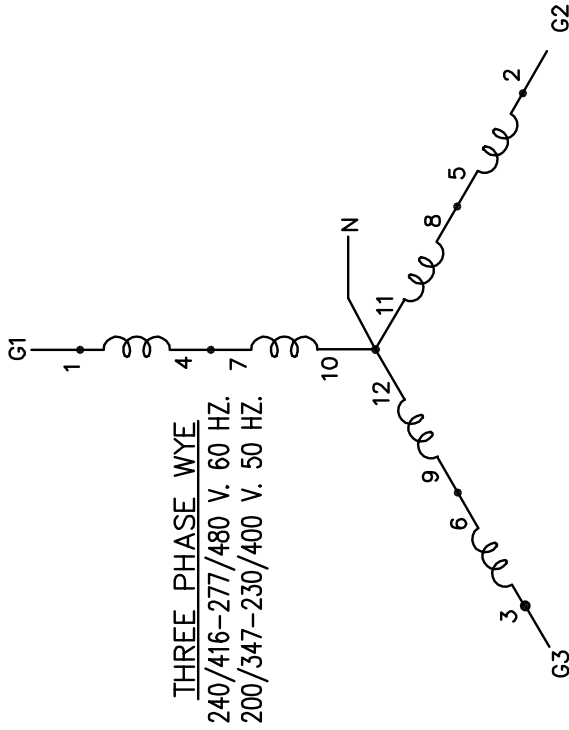


| REF # | PART NUMBER | QTY | DESCRIPTION |
|-------|-----------------|-------|------------------------|
| 1 | 62026-003 | 1 | Cover Plate |
| 2 | 99393-402 | 1 | Foam Piece |
| 3 | 99378-001 | 2 | Front Housing Baffle |
| 4 | 62825-011 | 1 | Spacer |
| 5 | 99225-000 | 1 | Roof Support |
| 6 | 99393-405 | 1 | Foam Piece |
| 7 | 99086-002 | 1 | Roof |
| 8 | 99224-000 | 4 | Door Jam |
| 9 | 99393-411 | 2 | Foam Piece |
| 10 | 99103-001 | 2 | Backing Plate |
| 11 | 99393-408 | 4 | Foam Piece |
| 12 | 99393-413 | 1 | Door Foam |
| 13 | 15680-006 | 1 | Rear Door |
| 14 | 99393-410 | 2 | Foam Piece |
| 15 | 99098-000 | 2 | Sill |
| 16 | 99067-001 | 1 | Right Rear Corner Post |
| 17 | 99100-000 | 1 | Rear Sill |
| 18 | 466-000 | 4 | 1/4"-20 X 3/4" Bolt |
| 19 | 99067-000 | 1 | Left Rear Corner Post |
| 20 | 99393-404 | 1 | Foam Piece |
| 21 | 99103-000 | 1 | Backing Plate |
| 22 | 99393-412 | 4 | Door Foam |
| 23 | 15680-002 | 4 | Side Door |
| 24 | 99066-000 | 2 | Mullion |
| 25 | 95229-002 | 5 | Door Latch |
| 26 | 99500-000 | 1 | Heat Shield |
| 27 | 99060-000 | 4 | Cover Plate |
| 28 | 99071-001 | 1 | Housing Front |
| 29 | 99079-000 | 2 | Base Extension |
| 30 | 99392-001 | 1 | Right Side Extension |
| 31 | 99392-000 | 1 | Left Side Extension |
| 32 | 92421-000 | 8 FT | Foam |
| 33 | 99083-001 | 1 | Front Extension Panel |
| 34 | 99393-406 | 1 | Foam Piece |
| 35 | 99391-000 | 1 | Roof End |
| NI | 62912-000 | 40 FT | Foam Strip |
| NI | Not Illustrated | | |

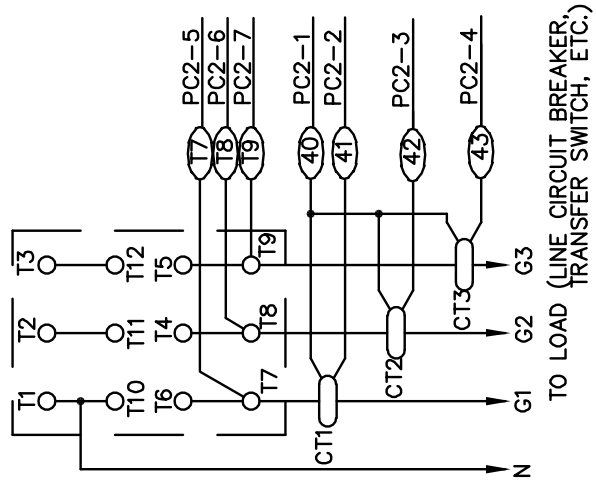
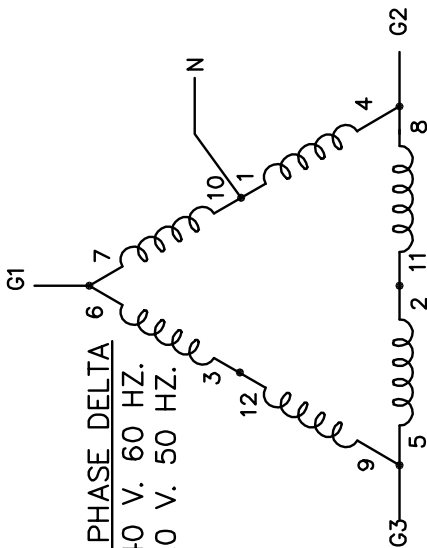
VOLTAGE REGULATOR WIRING



AC WIRING SCHEMATICS

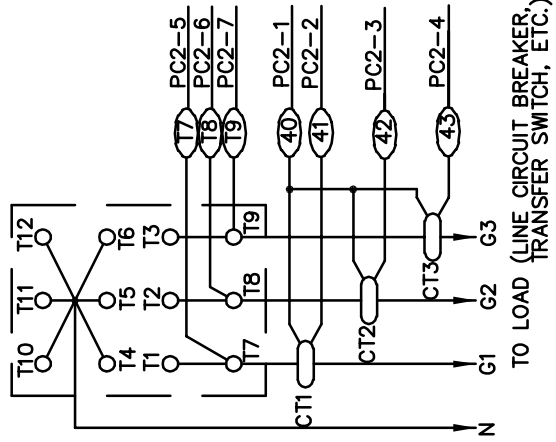
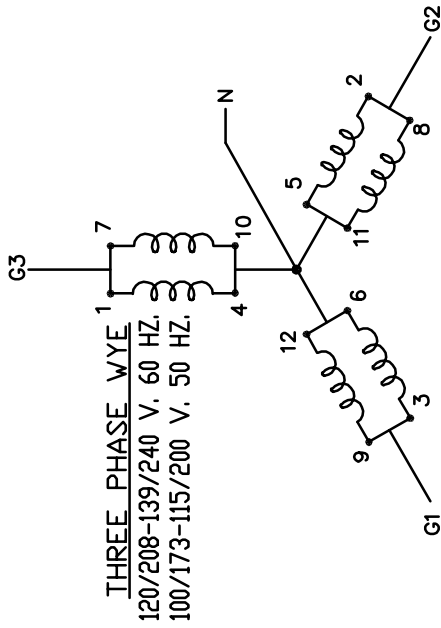


PSS35-17/B, C, D, E

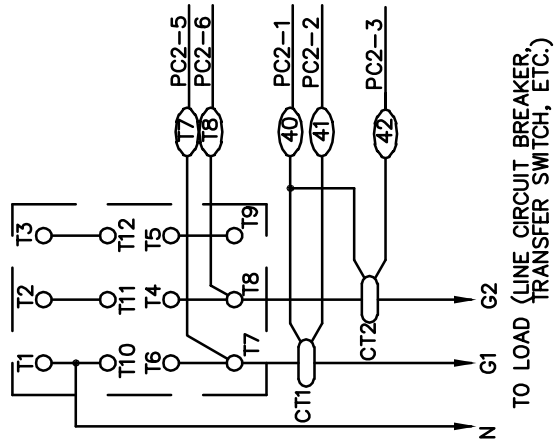
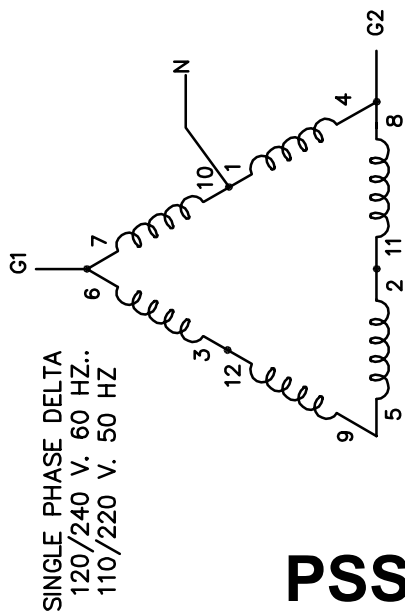


PSS35-18/B, C, D, E

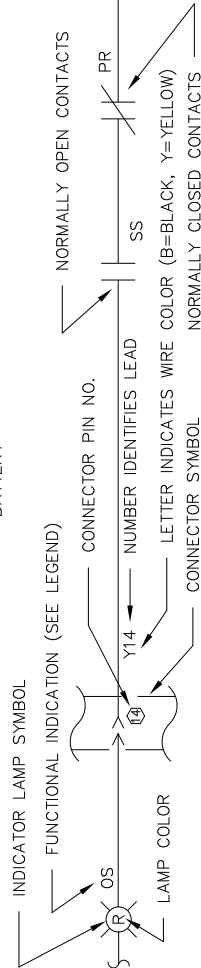
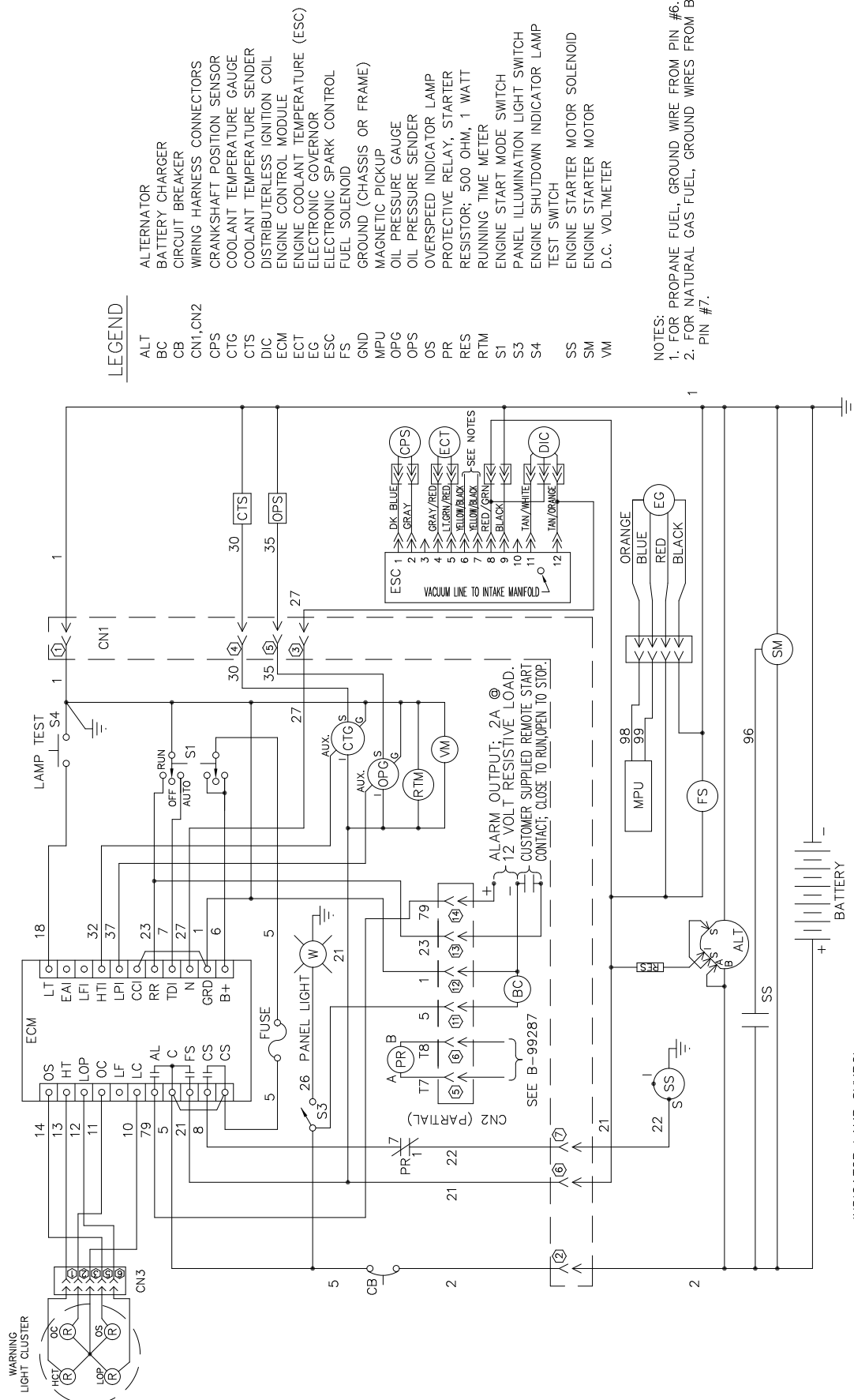
AC WIRING SCHEMATIC



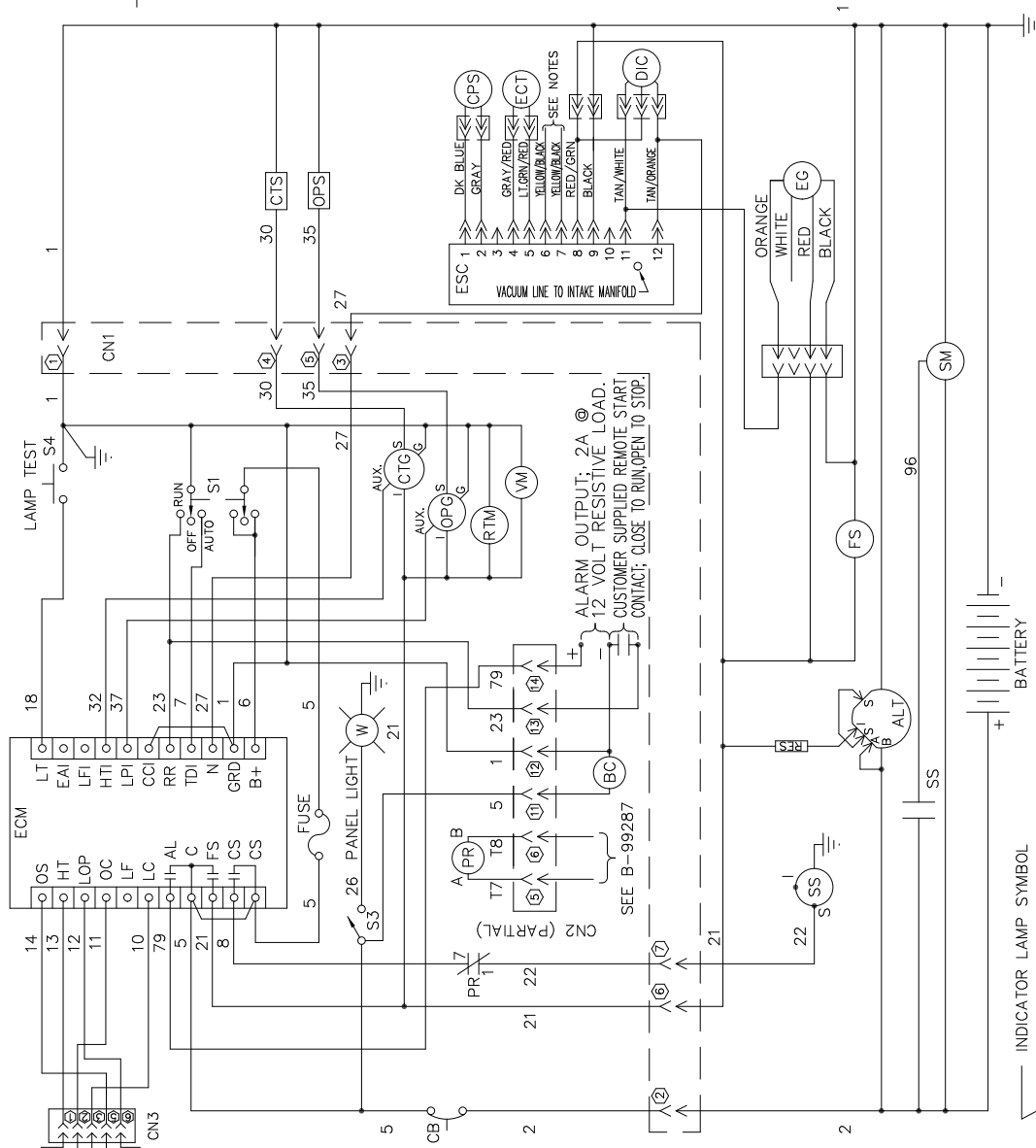
PSS35-4/B, C, D, E



PSS35-3/B, C, D, E



WARNING
LIGHT CLUSTER

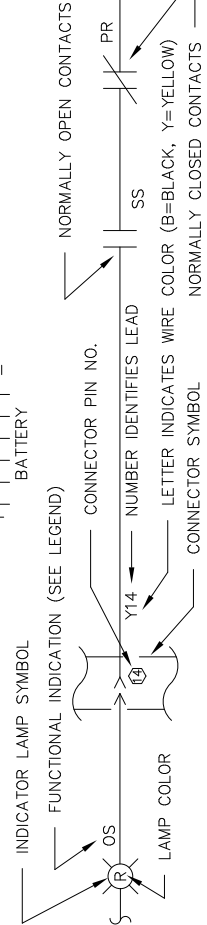


LEGEND

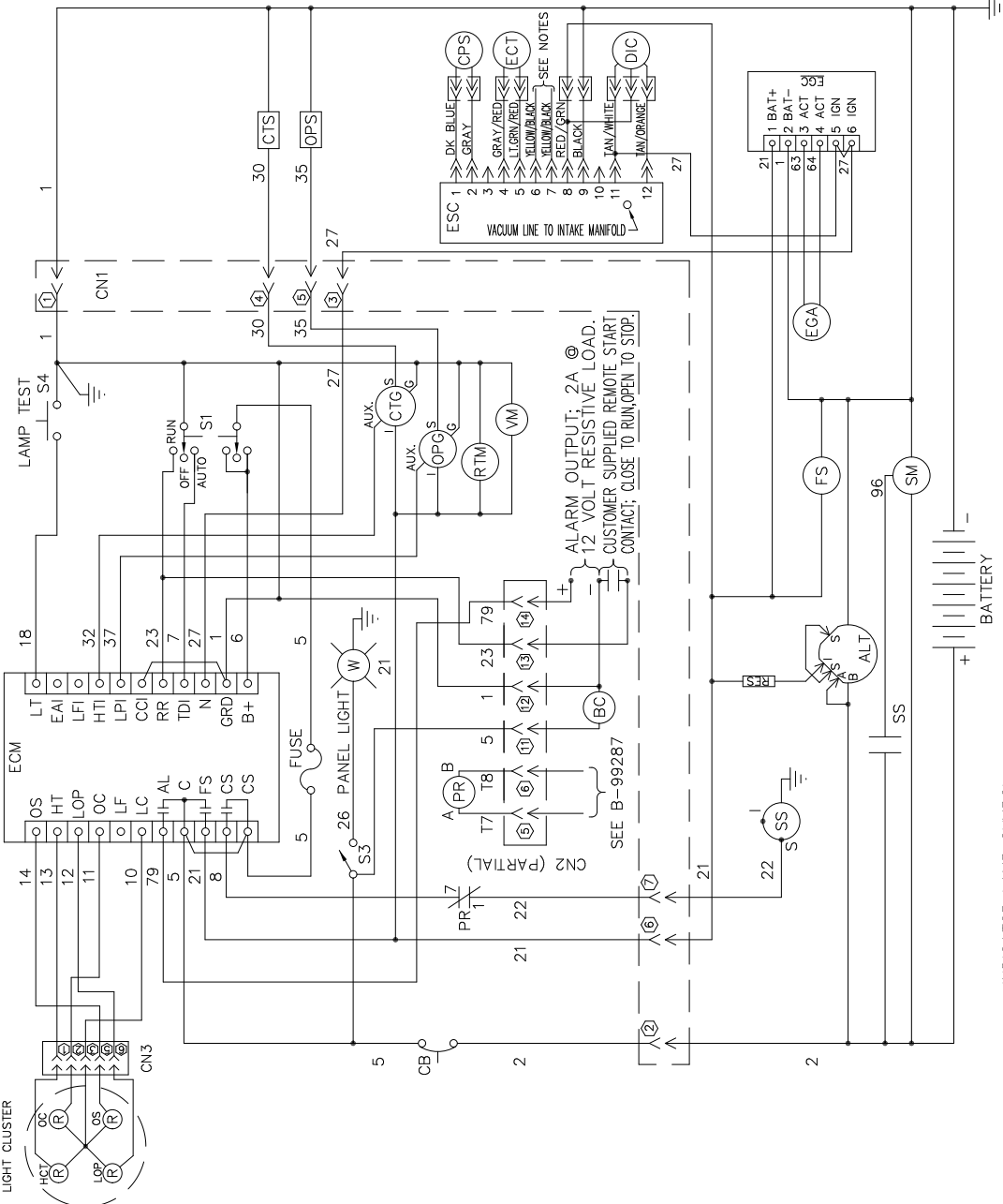
- ALT ALTERNATOR
- BC BATTERY BREAKER
- CB CIRCUIT BREAKER
- CN1,CN2 WIRING HARNESS CONNECTORS
- CPS CRANKSHAFT POSITION SENSOR
- CTG COOLANT TEMPERATURE GAUGE
- CTS COOLANT TEMPERATURE SENDER
- DIC DISTRIBUTERLESS IGNITION COIL
- ECM ENGINE CONTROL MODULE
- ECT ENGINE COOLANT TEMPERATURE (ESC)
- EG ELECTRONIC GOVERNOR
- ESC ELECTRONIC SPARK CONTROL
- FS FUEL SOLENOID
- GND GROUND (CHASSIS OR FRAME)
- MPU MAGNETIC PICKUP
- OPG OIL PRESSURE GAUGE
- OPS OIL PRESSURE SENDER
- OS OVERSPEED INDICATOR LAMP
- PR PROTECTIVE RELAY, STARTER
- RES RESISTOR: 500 OHM, 1 WATT
- RTM RUNNING TIME METER
- S1 ENGINE START MODE SWITCH
- S3 PANEL ILLUMINATION LIGHT SWITCH
- S4 ENGINE SHUTDOWN INDICATOR LAMP TEST SWITCH
- SS ENGINE STARTER MOTOR SOLENOID
- SM ENGINE STARTER MOTOR
- VM D.C. VOLTMETER

- NOTES:
 1. FOR PROPANE FUEL, GROUND WIRE FROM PIN #6.
 2. FOR NATURAL GAS FUEL, GROUND WIRES FROM BOTH PIN #6 PIN #7.

DC SCHEMATIC PSS35/C



WARNING
LIGHT CLUSTER



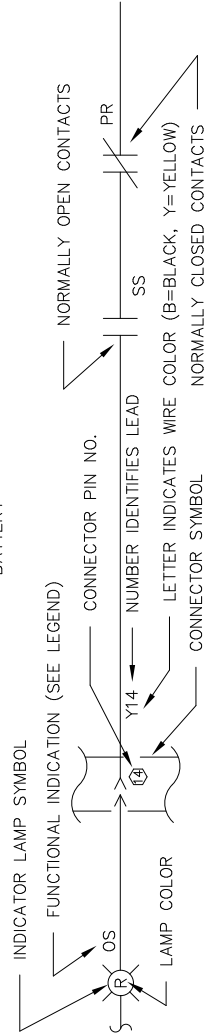
LEGEND

- ALT ALTERNATOR
- BC BATTERY CHARGER
- CB CIRCUIT BREAKER
- WIRING HARNESS CONNECTORS
- CN1,CN2 CRANKSHAFT POSITION SENSOR
- CPS COOLANT TEMPERATURE GAUGE
- CTG COOLANT TEMPERATURE GAUGE
- CTS COOLANT TEMPERATURE SENDER
- DIC DISTRIBUTERLESS IGNITION COIL
- ECM ENGINE CONTROL MODULE
- ECT ENGINE COOLANT TEMPERATURE (ESC)
- ECG ELECTRONIC GOVERNOR CONTROL
- ESC ELECTRONIC SPARK CONTROL
- FS FUEL SOLENOID
- GND GROUND (CHASSIS OR FRAME)
- MPU MAGNETIC PICKUP
- OPG OIL PRESSURE GAUGE
- OPS OIL PRESSURE SENDER
- OS OVERSPEED INDICATOR LAMP
- PR PROTECTIVE RELAY, STARTER
- RES RESISTOR; 500 OHM, 1 WATT
- RTM RUNNING TIME METER
- S1 ENGINE START MODE SWITCH
- S3 PANEL ILLUMINATION LIGHT SWITCH
- S4 ENGINE SHUTDOWN INDICATOR LAMP TEST SWITCH
- SS ENGINE STARTER MOTOR SOLENOID
- SM ENGINE STARTER MOTOR
- VM D.C. VOLTMETER

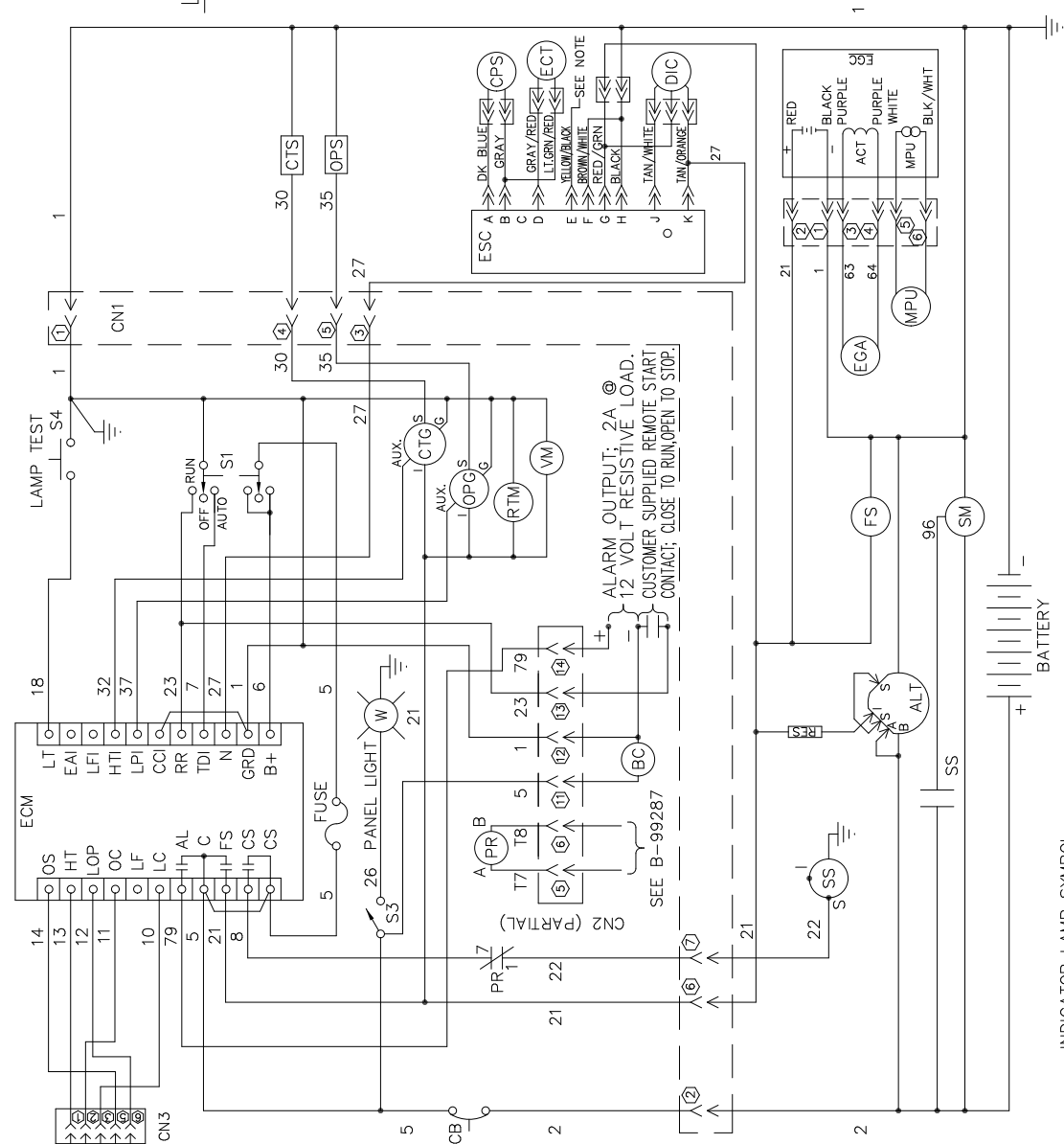
NOTES:

1. FOR PROPANE FUEL, GROUND WIRE FROM PIN #6.
2. FOR NATURAL GAS FUEL, GROUND WIRES FROM BOTH PIN #6 PIN #7.

DC SCHEMATIC PSS35/D



WARNING
LIGHT CLUSTER



LEGEND

- ALT ALTERNATOR
- BC CIRCUIT BREAKER
- CB CIRCUIT BREAKER
- CN1, CN2 WIRING HARNESS CONNECTORS
- CPS CRANKSHAFT POSITION SENSOR
- CTG COOLANT TEMPERATURE GAUGE
- CTS COOLANT TEMPERATURE SENDER
- DIC DISTRIBUTERLESS IGNITION COIL
- ECM ENGINE CONTROL MODULE
- ECT ENGINE COOLANT TEMPERATURE (ESC)
- EGA ELECTRONIC GOVERNOR CONTROL
- EGC ELECTRONIC GOVERNOR ACTUATOR
- ESC ELECTRONIC SPARK CONTROL
- FS FUEL SOLENOID
- GND GROUND (CHASSIS OR FRAME)
- MPU MAGNETIC PICKUP
- OPG OIL PRESSURE GAUGE
- OPS OIL PRESSURE SENDER
- OS OVERSPEED INDICATOR LAMP
- PR PROTECTIVE RELAY, STARTER
- RES RESISTOR; 500 OHM, 1 WATT
- RTM RUNNING TIME METER
- S1 ENGINE START MODE SWITCH
- S3 PANEL ILLUMINATION LIGHT SWITCH
- S4 ENGINE SHUTDOWN INDICATOR LAMP TEST SWITCH
- SS ENGINE STARTER MOTOR SOLENOID
- SM ENGINE STARTER MOTOR
- VM D.C. VOLTMETER

NOTES:
1. FOR PROPANE FUEL, LEAVE UNCONNECTED.
2. FOR NATURAL GAS FUEL, CONNECT THIS WIRE TO #21.

DC SCHEMATIC PSS35/E

