



ILLUSTRATED PARTS LIST

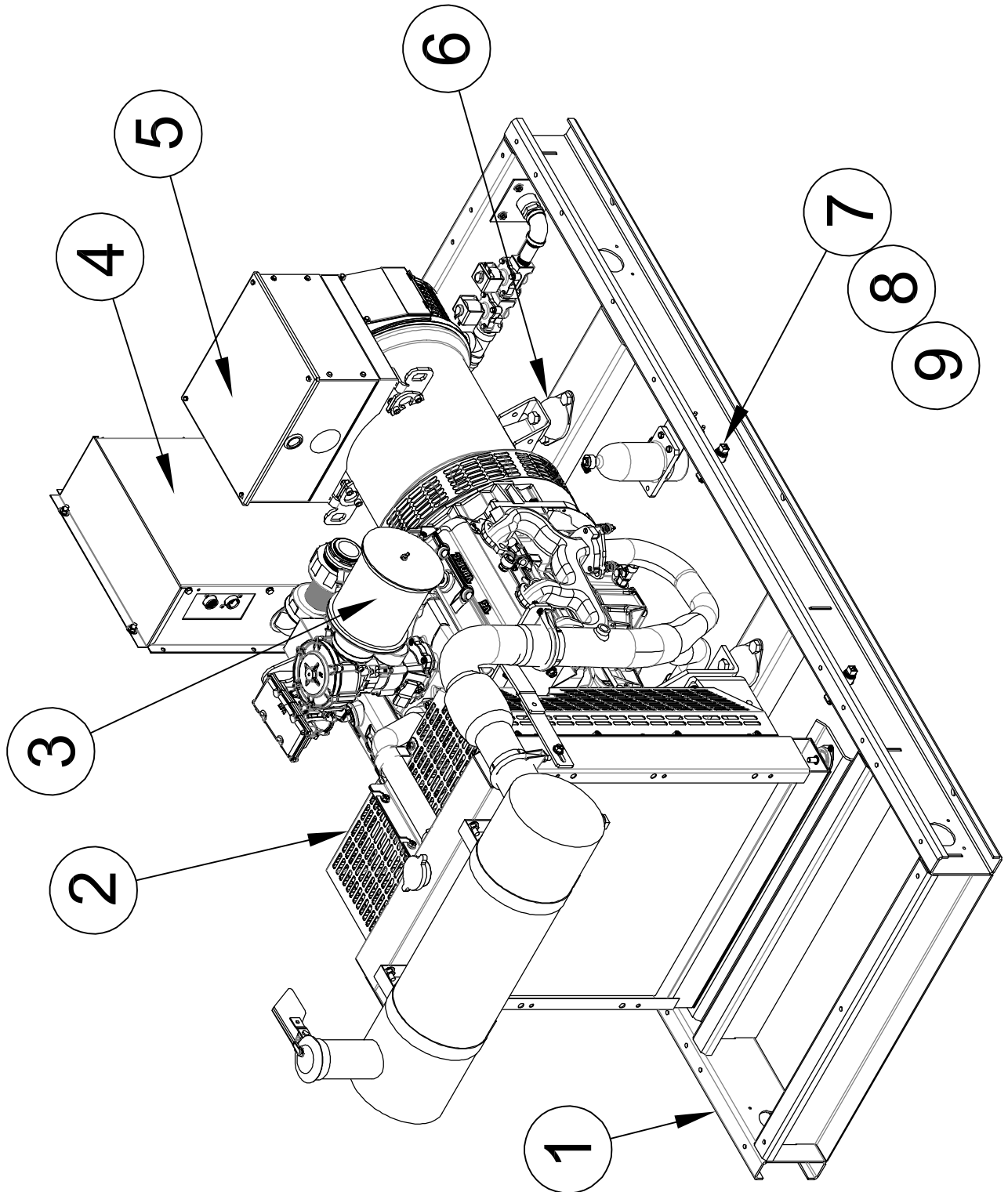
ULPSS40-3/E
ULPSS40-4/E
ULPSS40-17/E
ULPSS40-18/E

**WITH BASLER DGC-2020
ENGINE CONTROL**



225 S. CORDOVA AVE.
LECENTER, MN 56057
507-357-6821
SERVICE DEPT.
507-357-6831

GENERATOR ASSEMBLY

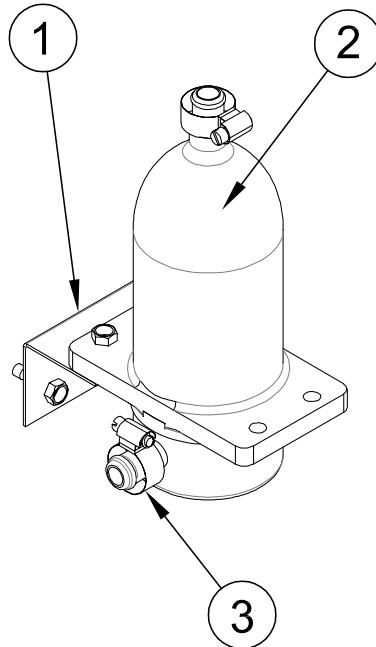


REF #	PART NUMBER	QTY	DESCRIPTION
1	99381-029	1	Welded Frame Assembly
2	351987-2	1	Engine, GM 4.3 Liter
3	97294-005	1	Air Filter Assembly
3	F1-15	1*	Air Filter
4	SEE TABLE	1	Breaker & Control Assembly
5	SEE TABLE	1	Stamford Newage Generator
6	98956-001	4	Shockmount
7	98906-009	1	Oil Drain Valve
8	93824-003	1	Petcock Valve
9	99778-000	1	Adapter
NI	93084-000	2	½" Pipe Plug
NI	94319-008	2	Hose Fitting
NI	81018-005	4	Hose Clamp
NI	350110-5	1	Battery Tray
NI	53220-039	1	Positive (+) Battery Cable
NI	53220-012	1	Negative (-) Battery Cable
NI	55505-000	6 FT	3/8" Hose
NI	62625-004	3 FT	Reflective Hose Sleeve
NI	99420-021	1	DC Engine Harness
NI	350818-2	1	Voltage Regulator AS440 UL
NI	R44LTS	6**	Spark Plug
NI	PF-47 or PF-52	1**	Oil Filter
NI	Not Illustrated		
*	Impco Part #		
**	AC Delco Part #		

MODEL #	PART #	DESCRIPTION
ULPSS40-3/E	99836-044	Breaker & Control Cabinet Assembly
ULPSS40-4/E	99836-045	Breaker & Control Cabinet Assembly
ULPSS40-17/E	99836-046	Breaker & Control Cabinet Assembly
ULPSS40-18/E	99836-047	Breaker & Control Cabinet Assembly

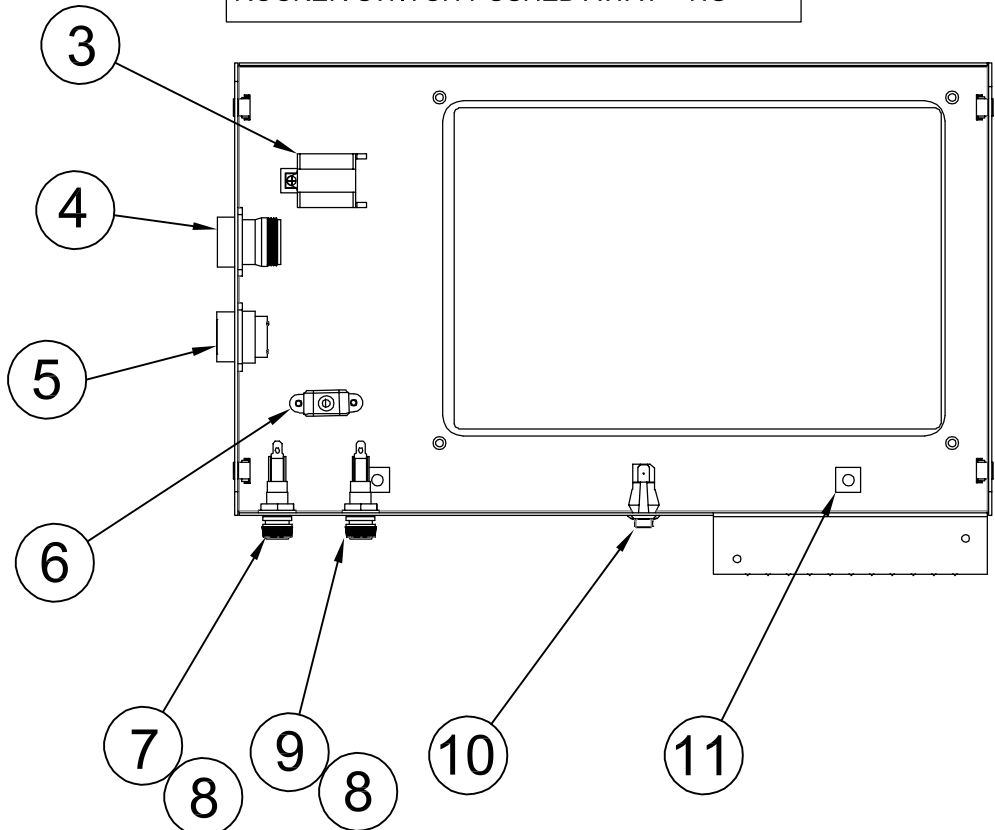
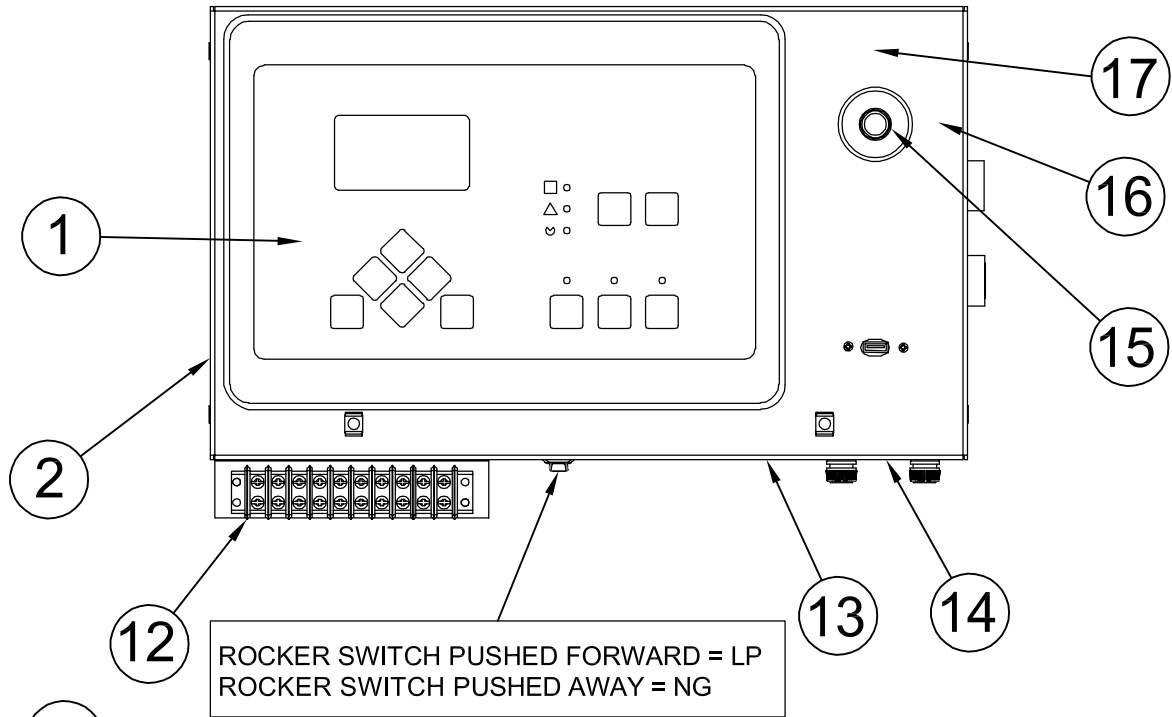
MODEL #	STAMFORD NEWAGE MODEL #	WINCO PART #
ULPSS40-3/E	PI144J1J 4-LEAD	350005-009
ULPSS40-4/E ULPSS40-17/E ULPSS40-18/E	PI144K1L 12-LEAD	350005-008

BLOCK HEATER ASSEMBLY



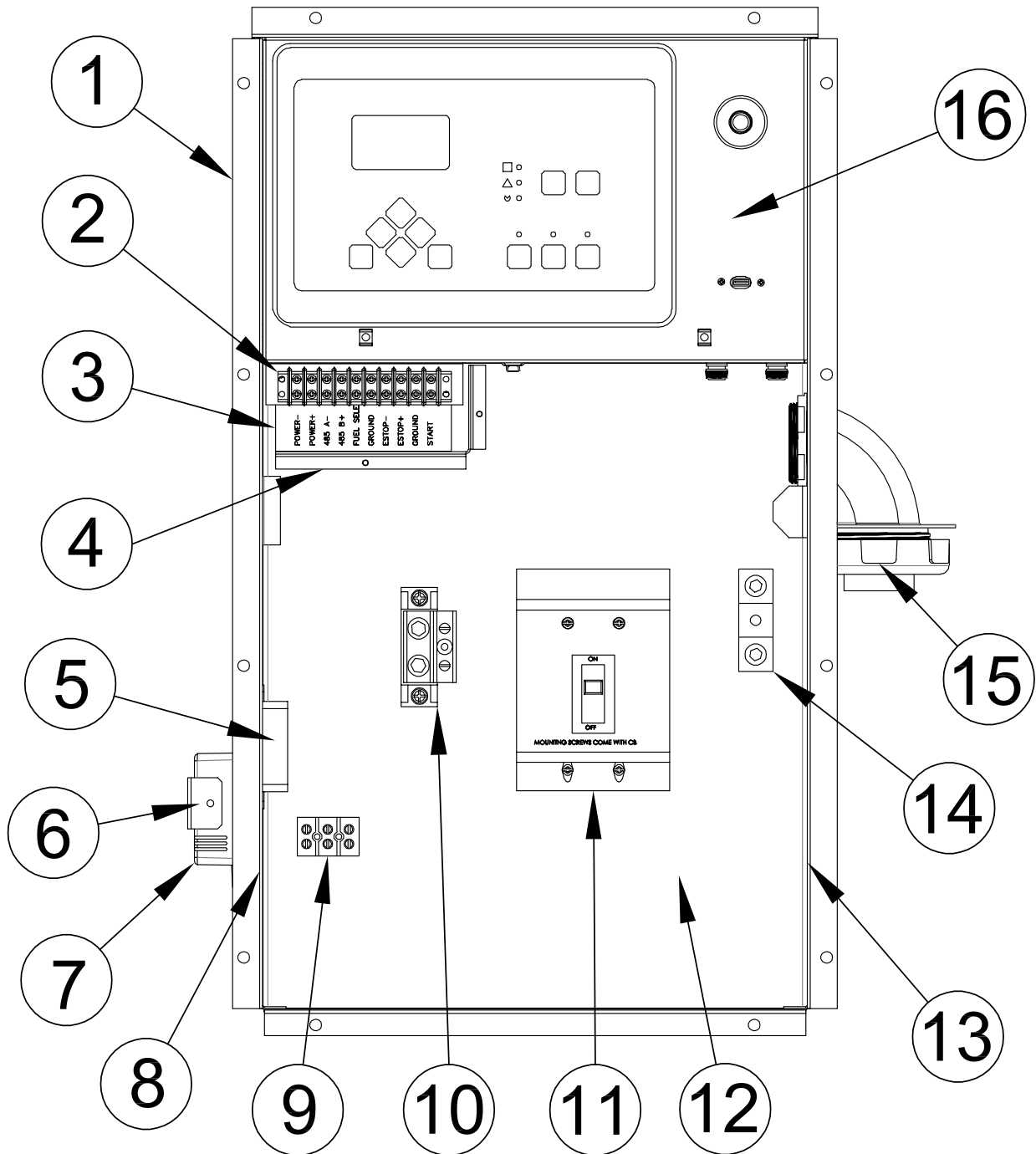
REF #	PART NUMBER	QTY	DESCRIPTION
1	provided with heater	1	Mounting Bracket
2	80781-003	1	1000W 120V Tank Heater
3	81018-005	4	Hose Clamp
NI	350341	1	1/4" NPT (M) X 5/8" Barb Hose Fitting
NI	92388-000	1	3/8" NPT X 5/8" Hose Fitting
NI	93689-001	5.33 FT	5/8" I.D. Hose
NI	62625-004	2 FT	1.5" Hose Heat Sleeve
NI	Not Illustrated		

ENGINE CONTROL ASSEMBLY



REF #	PART NUMBER	QTY	DESCRIPTION
1	351855-1	1	Basler DGC-2020 Control
2	99826-191	1	Basler Mount
3	99783-002	1	Emergency Stop Switch Contact
4	96925-006	1	16 Pin Connector
5	96925-002	1	14 Pin Connector
6	92884-000	1	USB Cable
7	95064-006	1	10 Amp Fuse
8	2489-001	2	Fuse Holder
9	95064-000	1	3 Amp Fuse
10	64089-000	1	Rocker Switch
11	92495-000	6	Tinnerman Nut
12	80623-006	1	10 Point Terminal Block
13	15983-008	1	3 Amp Fuse Decal
14	15983-006	1	10 Amp Fuse Decal
15	99783-001	1	Push-Pull Switch
16	63941-006	1	Emergency Stop Decal
17	63941-004	1	UL Warning Decal
NI	300542	1	3V Lithium Battery
NI	Not Illustrated		

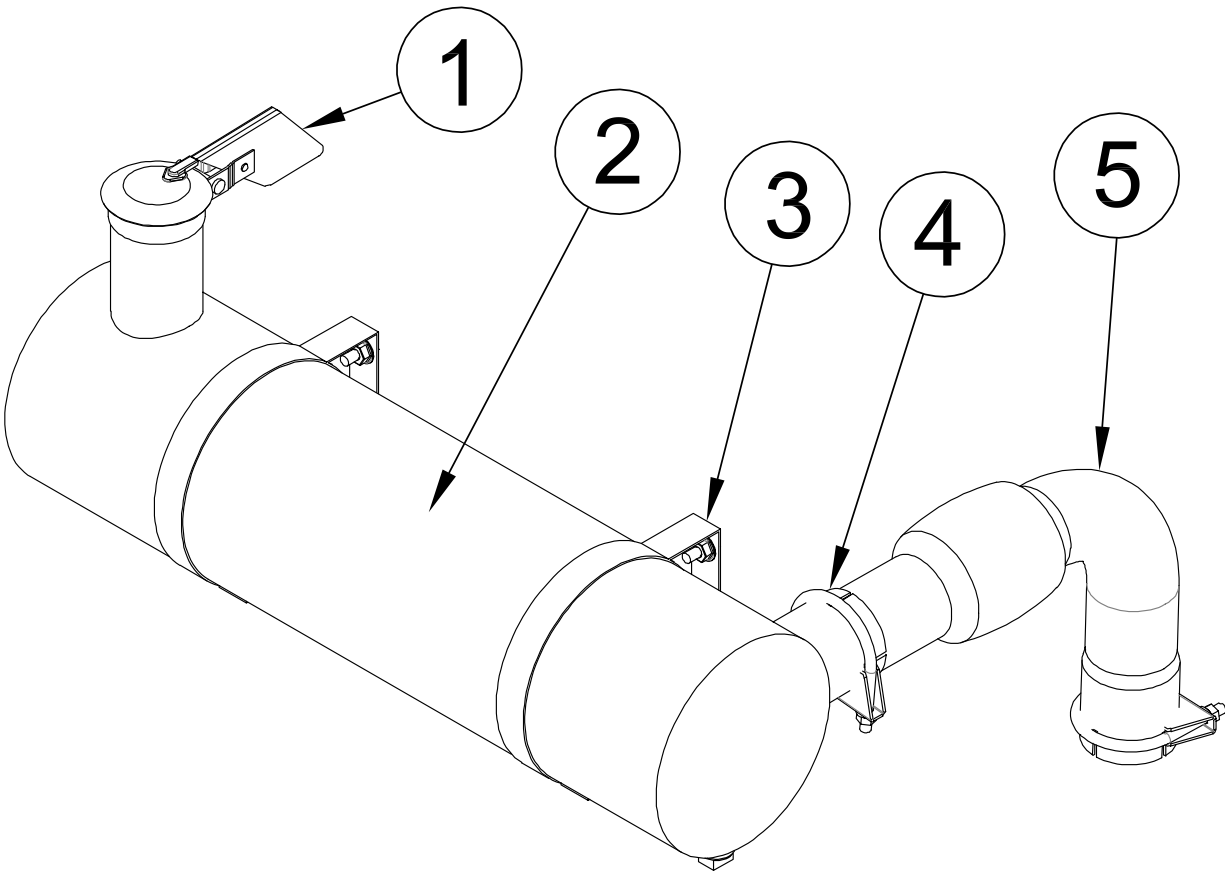
CONTROL CABINET ASSEMBLY



REF #	PART NUMBER	QTY	DESCRIPTION
1	99826-191	1	Control & Breaker Panel
2	80623-006	1	10 Point Terminal Block
3	64576-016	1	Terminal Block Decal
4	99826-042	1	DC Box
5	24749-000	1	Duplex Receptacle
6	300308-410	1	Battery Tender Hold Down
7	16287-000	1	Battery Tender
8	15102-002	1	2 1/2" Hole Plug
9	51795-000	1	3 Point Terminal Block
10	350124-4	1	Neutral Block
11	SEE TABLE	1	Circuit Breaker
12	SEE TABLE	1	Breaker Cover Panel
13	SEE TABLE	1	Breaker Mounting Panel
14	58060-000	1	Ground Block
15	16522-001	2	2" 90° Conduit Fitting
16	99777-022	1	Control Box Assembly
NI	16523-000	2 FT	2" Flexible Conduit
NI	16522-000	1	2" Straight Conduit Fitting
NI	Not Illustrated		

MODEL #	PART #	DESCRIPTION
ULPSS40-3/E	91447-009 99826-240 99826-340	175 Amp 240 Volt 2-Pole Breaker Circuit Breaker Cover Panel Circuit Breaker Mounting Panel
ULPSS40-4/E	81096-003 99826-241 99826-341	150 Amp 240 Volt 3-Pole Breaker Circuit Breaker Cover Panel Circuit Breaker Mounting Panel
ULPSS40-17/E	81096-002 99826-242 99826-342	125 Amp 240 Volt 3-Pole Breaker Circuit Breaker Cover Panel Circuit Breaker Mounting Panel
ULPSS40-18/E	81098-025 99826-243 99826-343	60 Amp 600 Volt 3-Pole Breaker Circuit Breaker Cover Panel Circuit Breaker Mounting Panel

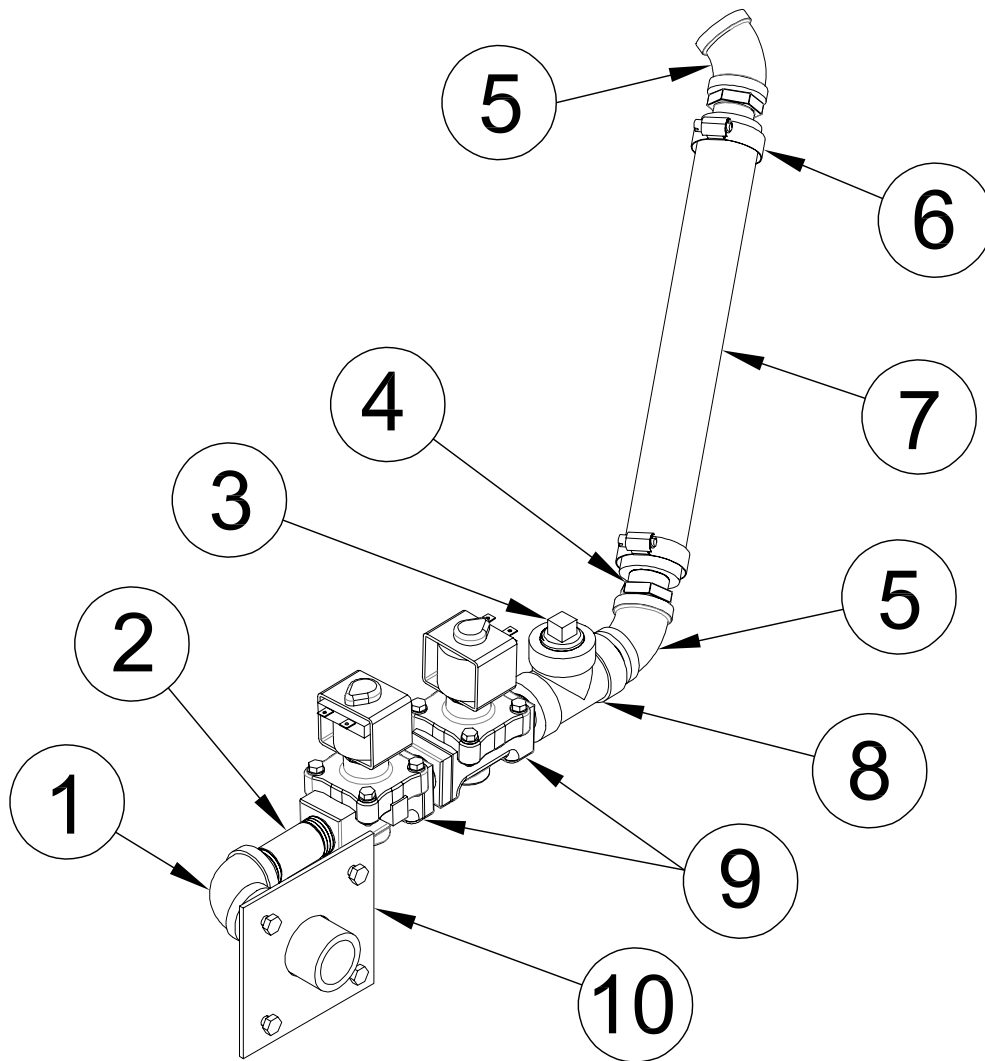
EXHAUST ASSEMBLY



REF #	PART NUMBER	QTY	DESCRIPTION
1	53111-008	1	3" Rain Cap
2	80519-013	1	Muffler
3	350264-7	2	8" Exhaust Band
4	93489-001	2	3 3/8" Muffler Clamp
5	99502-012	1	Exhaust Flex

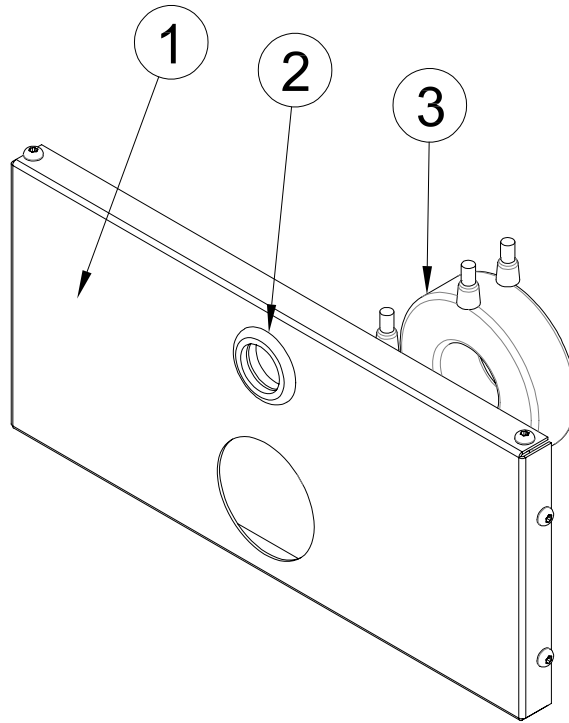
VAPOR FUEL SYSTEM ASSEMBLY

(For LP Liquid Withdrawal parts contact Winco)



REF #	PART NUMBER	QTY	DESCRIPTION
1	50244-000	1	90° Pipe Elbow
2	54074-001	1	3 ½" Pipe Nipple
3	93564-000	1	Pipe Plug
4	92388-004	2	Hose Fitting
5	56896-000	2	45° Pipe Elbow
6	81018-004	2	Hose Clamp
7	49409-000	5 FT	1" Hose
8	94907-000	1	Pipe Tee
9	42942-000	2	Solenoid
10	99065-000	1	Weldment Cover

GENERATOR MODIFICATION ASSEMBLY

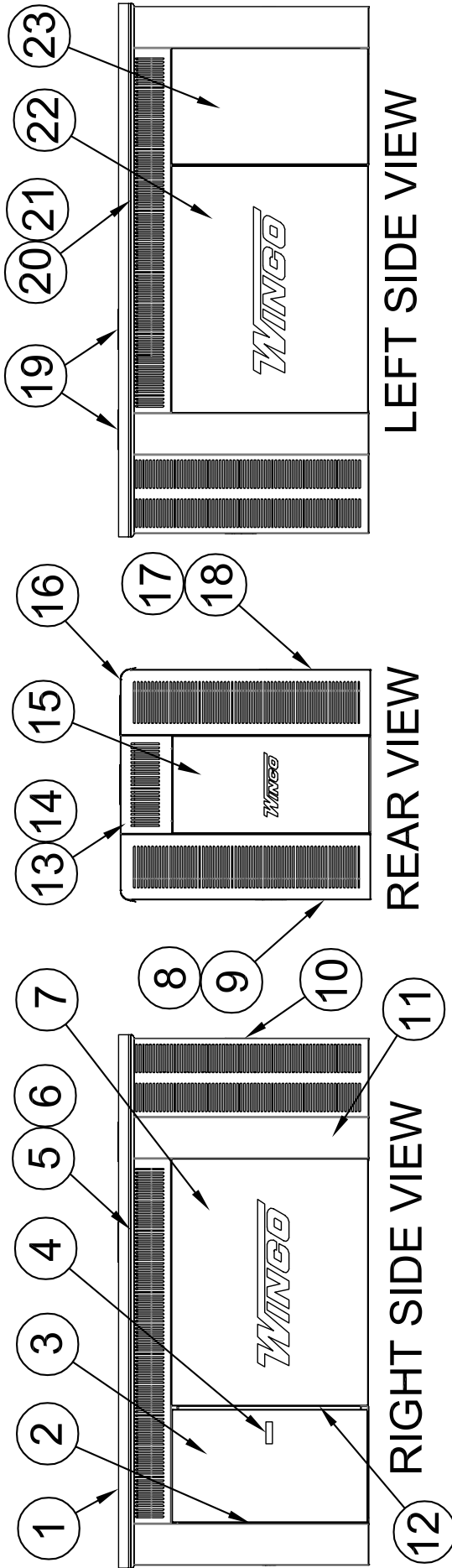


REF #	PART NUMBER	QTY	DESCRIPTION
1	64702-000	1	Front Panel
2	SEE TABLE	2 or 3	Current Transformer
3	62486-000	1	Grommet
NI	SEE TABLE	1	AC Harness

MODEL #	PART #	QTY	DESCRIPTION
ULPSS40-3/A	80124-008	2	500 to 5 Amp Current Transformer
ULPSS40-4/A ULPSS40-17/A ULPSS40-18/A	80124-008	3	500 to 5 Amp Current Transformer

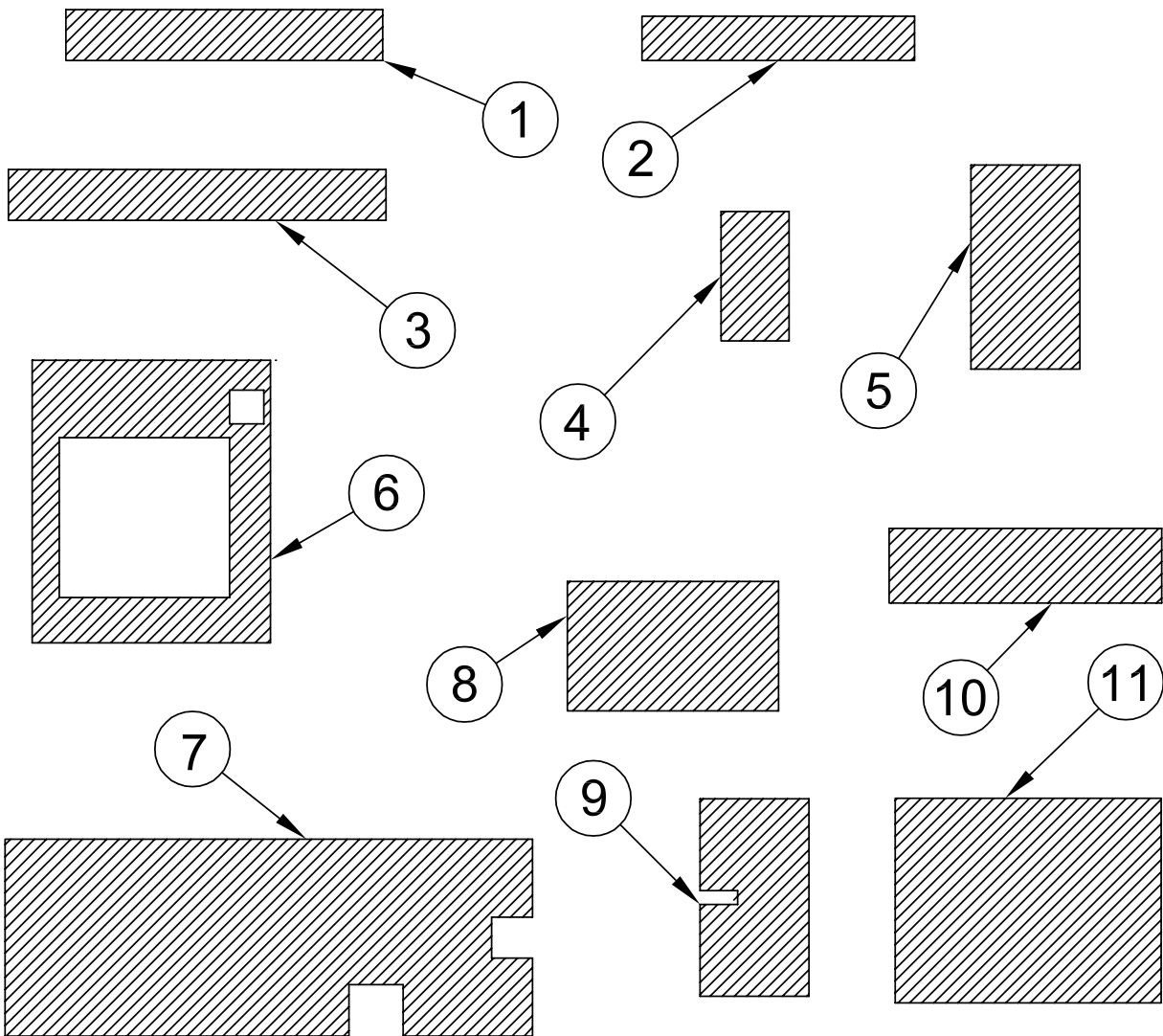
MODEL #	PART #	QTY	DESCRIPTION
ULPSS40-3/A	99347-014	1	AC Harness
ULPSS40-4/A ULPSS40-17/A ULPSS40-18/A	99347-015	1	AC Harness

HOUSING ASSEMBLY



REF #	PART NUMBER	QTY	DESCRIPTION
1	99515-040	1	Roof
2	98375-018	1	Door Hinge
3	15680-056	1	PSS40 Door
4	95229-005	1	Door Latch
5	99098-043	1	Right Side Sill
6	99378-145	1	Right Side Sill Baffle
7	99100-044	1	Right Side Panel
8	99067-041	1	Left Rear Corner Post
9	99378-143	1	Left Rear Baffle
10	99071-036	1	Radiator Housing
11	99071-035	1	Housing Front
12	99333-016	1	Door Stop
13	99100-044	1	Rear Sill
14	99378-142	1	Rear Sill Baffle
15	99072-007	1	Rear Panel
16	99225-004	2	Roof Support
17	99067-040	1	Right Rear Corner Post
18	99378-144	1	Right Rear Baffle
19	99515-012	2	Roof Access Cover
20	99098-044	1	Left Side Sill
21	99378-146	1	Left Side Sill Baffle
22	99100-045	1	Left Side Panel
23	99100-046	1	Left Side Rear Panel
NI	99060-008	4	Lifting Eye Cover Plate
NI	91683-000	8	¼ Turn Rect. Clip Nut
NI	91682-002	8	¼ Turn Bail Style Stud
NI	91684-000	8	¼ Turn Split Ring Retainer
NI	65000-003	8	Thumb Screw
NI	62912-002	6 FT	3/8" Foam Strip
NI	62912-000	10 FT	½" Foam Strip
NI	92421-000	12 FT	1.5" X 1.5" Foam Strip
NI	Not Illustrated		

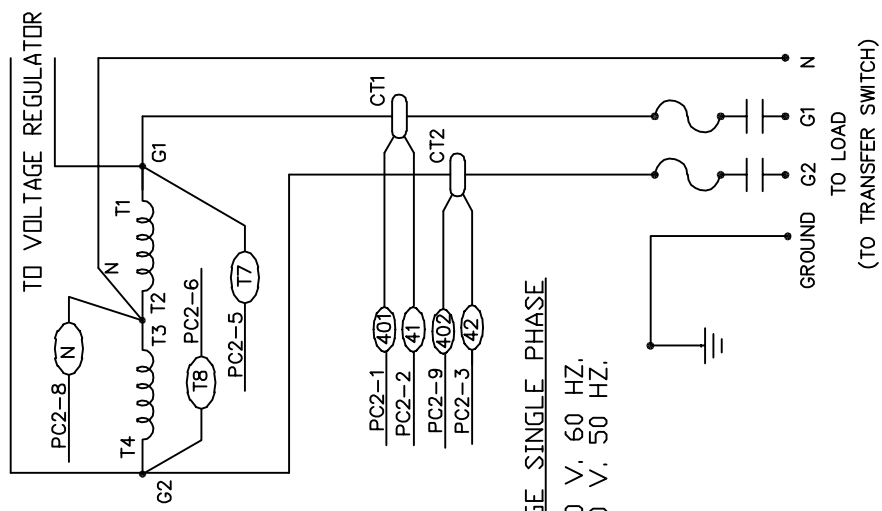
ACOUSTIC FOAM PIECES



DRAWN WITH RELEASE LINER UP.

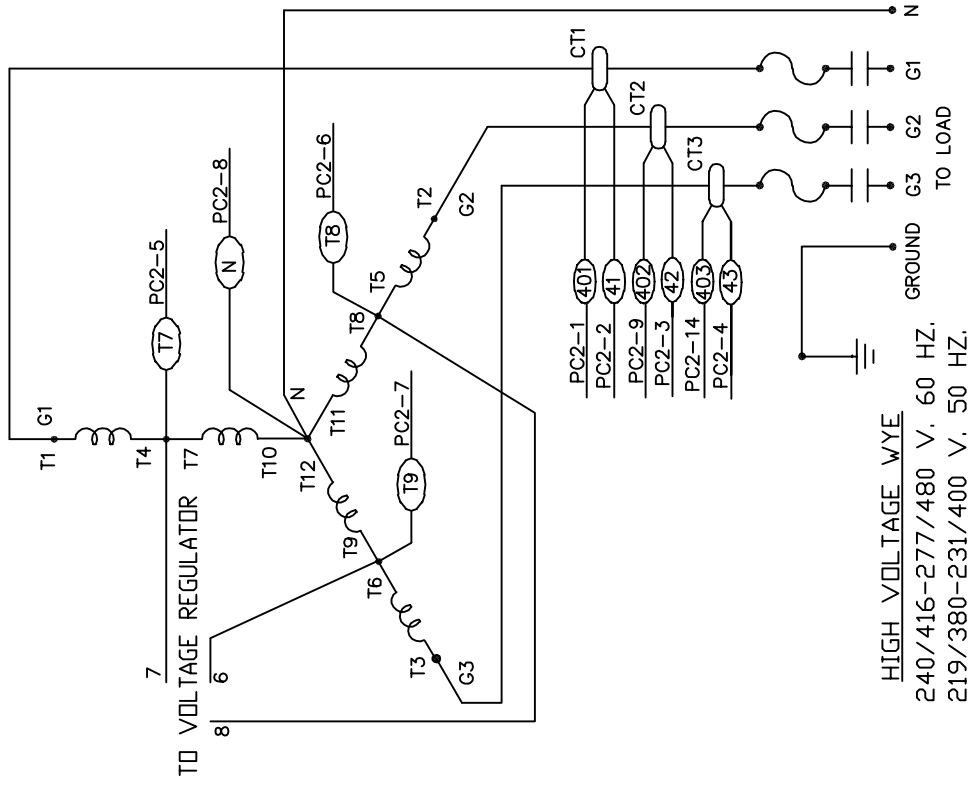
REF #	PART NUMBER	QTY	DESCRIPTION
1	99393-411	1	Left Side Sill Foam
2	99393-412	2	Rear Baffle Foam
3	99393-421	1	Right Side Sill Foam
4	99393-416	1	Back Top Foam
5	99393-417	1	Rear Center Panel
6	99393-415	1	Radiator Housing Foam
7	99393-420	1	Roof Foam
8	99393-413	1	Rear Side Panel Foam
9	99393-418	1	Door Foam
10	99393-414	2	Front Side Foam
11	99393-419	2	Side Panel Foam

ULPSS40-3/E

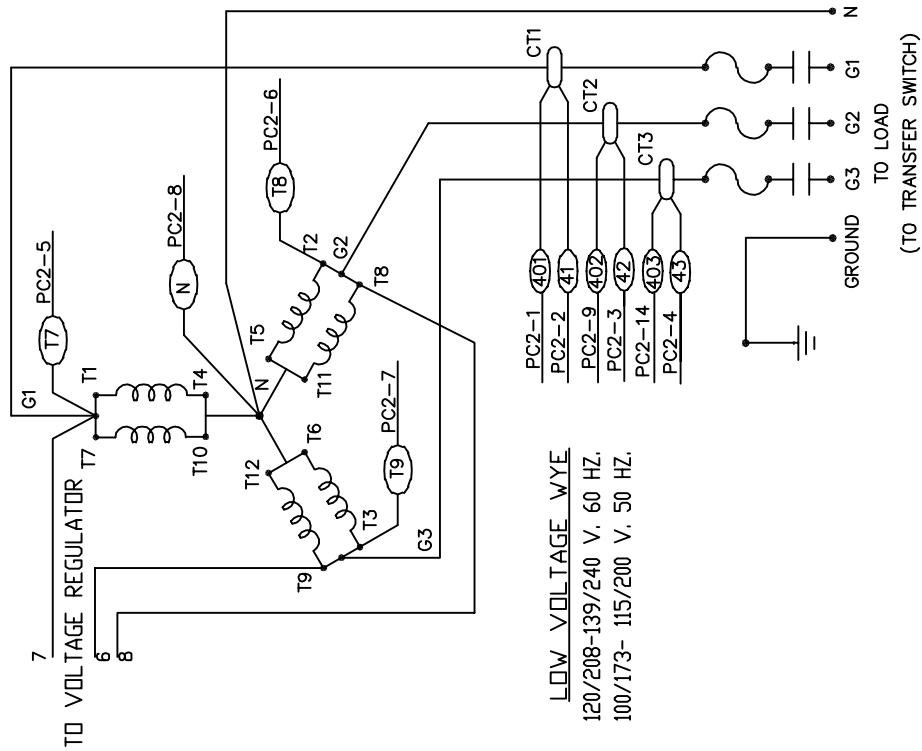


AC WIRING SCHEMATICS

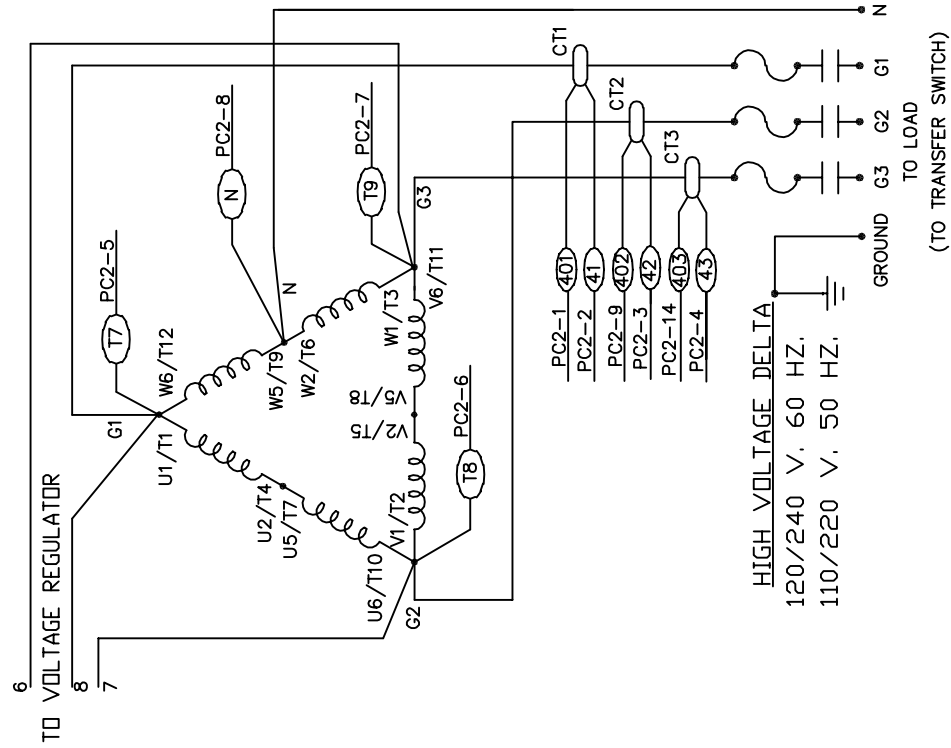
ULPSS40-18/E



ULPSS40-4/E



ULPSS40-17/E



DC WIRING SCHEMATIC

