

**ILLUSTRATED
PARTS LIST**

PSS40LS-3/C

PSS40LS-4/C

PSS40LS-17/C

PSS40LS-18/C

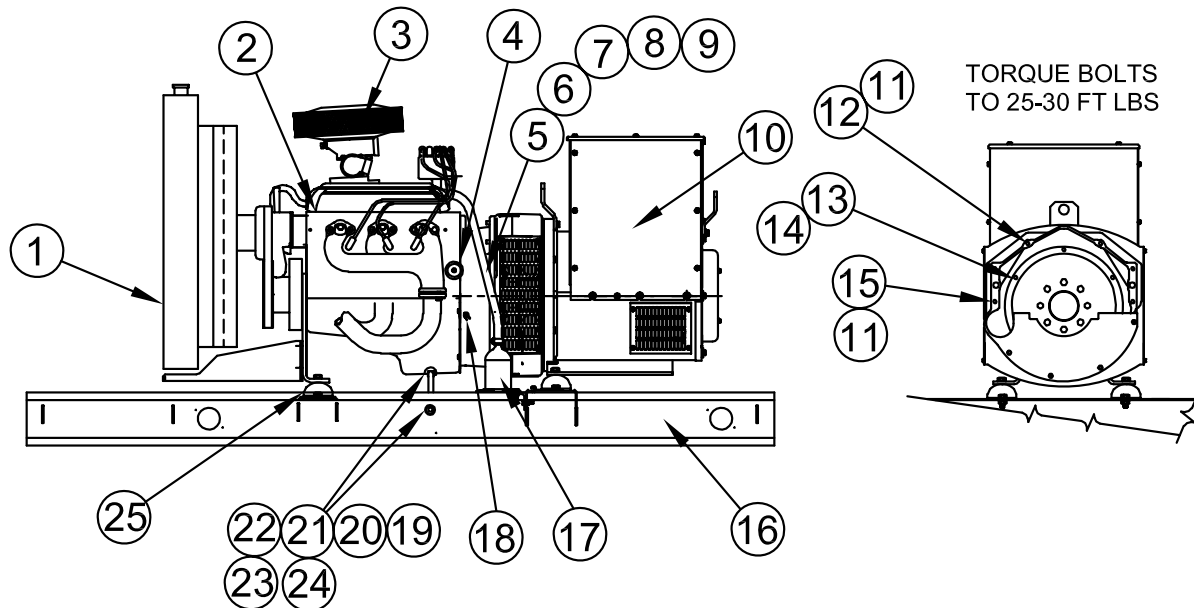
ULPSS40LS-3/D

ULPSS40LS-4/D

ULPSS40LS-17/D

ULPSS40LS-18/D

ENGINE / GENERATOR ASSEMBLY



REF #	PART NUMBER	QTY	DESCRIPTION
1	Reference	1*	Radiator
2	SEE TABLE 1	1	Engine, GM 4.3L
3	F1-8UL	1	Impco Air Filter
4	99267-001	1	Oil Pressure Sender
5	81018-003	4	Hose Clamp
6	350341	1	1/4" X 5/8" Hose Fitting
7	92388-000	1	3/8" X 5/8" Hose Fitting
8	93689-001	6 FT	5/8" Hose
9	62625-002	6 FT	Hose Heat Sleeving
10	SEE TABLE 2	1	Generator, Stamford Newage
11	94282-035	4	HHCS M1-1.5 X 35mm
12	97436-010	6	10mm Lock Washer
13	96000-005	6	3/8-16 X 1-3/4" HHCS
14	481-001	6	3/8 Lock Washer
15	97296-030	2	Soc. HCS M10-1.5 X 30mm
16	99381-020	1	Welded Base Assembly
17	80781-003	1	1000W 120V Tank Heater
18	350101-1	1	Magnetic Pick-up
19	93084-000	1	1/2" Pipe Plug
20	94319-008	1	Hose Fitting

REF #	PART NUMBER	QTY	DESCRIPTION
21	81018-008	2	Hose Clamp
22	99778-000	1	Oil Drain Adapter
23	55505-000	3 FT	3/8" Hose
24	98906-009	1	Oil Drain Valve
25	98956-001	4	Shock Mount
NI	64714-010	1	Fan Belt Guard
NI	PF-47	1	AC Oil Filter
NI	41-932	6	AC Spark Plugs
NI	64714-010	1	Fan Belt Guard
NI	64899-000	1	Battery Terminal Shield
NI	350818-2	1	Voltage Regulator, AS440UL
NI	Not Illustrated		
*	Provided by GM		

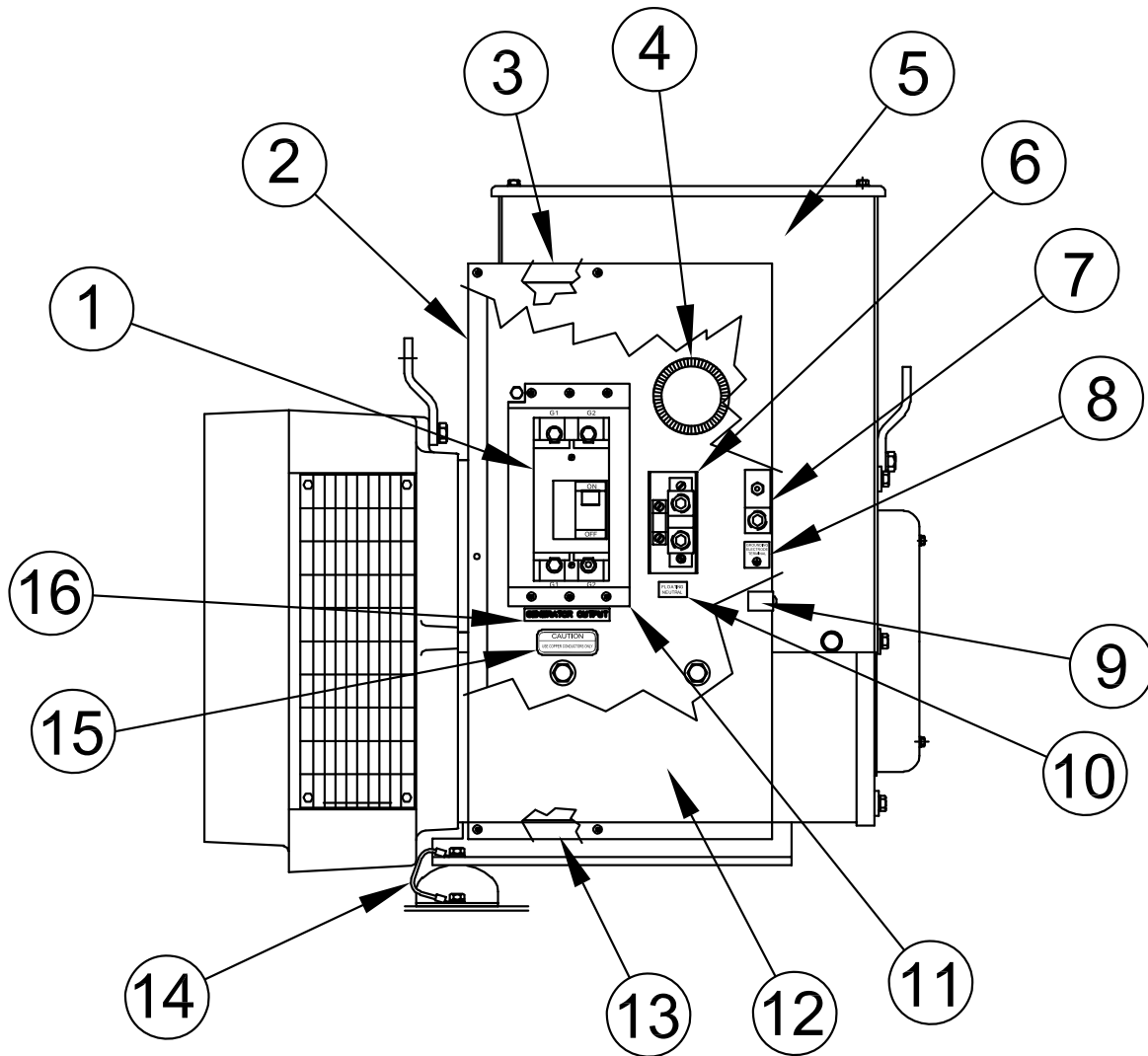
TABLE 1

MODEL	ENGINE PART NUMBER
ULPSS40LS/DNG	350775-4
ULPSS40LS/DLP	350775-5
ULPSS40LS/DLPG	350775-6

TABLE 2

STAMFORD NEWAGE MODEL #	UCI224D1J 4-LEAD	UCI224C1L 12-LEAD
WINCO PART #	351928-21	351928-1
WINCO MODEL #'S	ULPSS40LS-3/DNG ULPSS40LS-3/DNLP ULPSS40LS-3/DLPG	ULPSS40LS-4/DNG ULPSS40LS-4/DLP ULPSS40LS-4/DLPG ULPSS40LS-17/DNG ULPSS40LS-17/DLP ULPSS40LS-17/DLPG ULPSS40LS-18/DNG ULPSS40LS-18/DLP ULPSS40LS-18/DLPG

CIRCUIT BREAKER ASSEMBLY

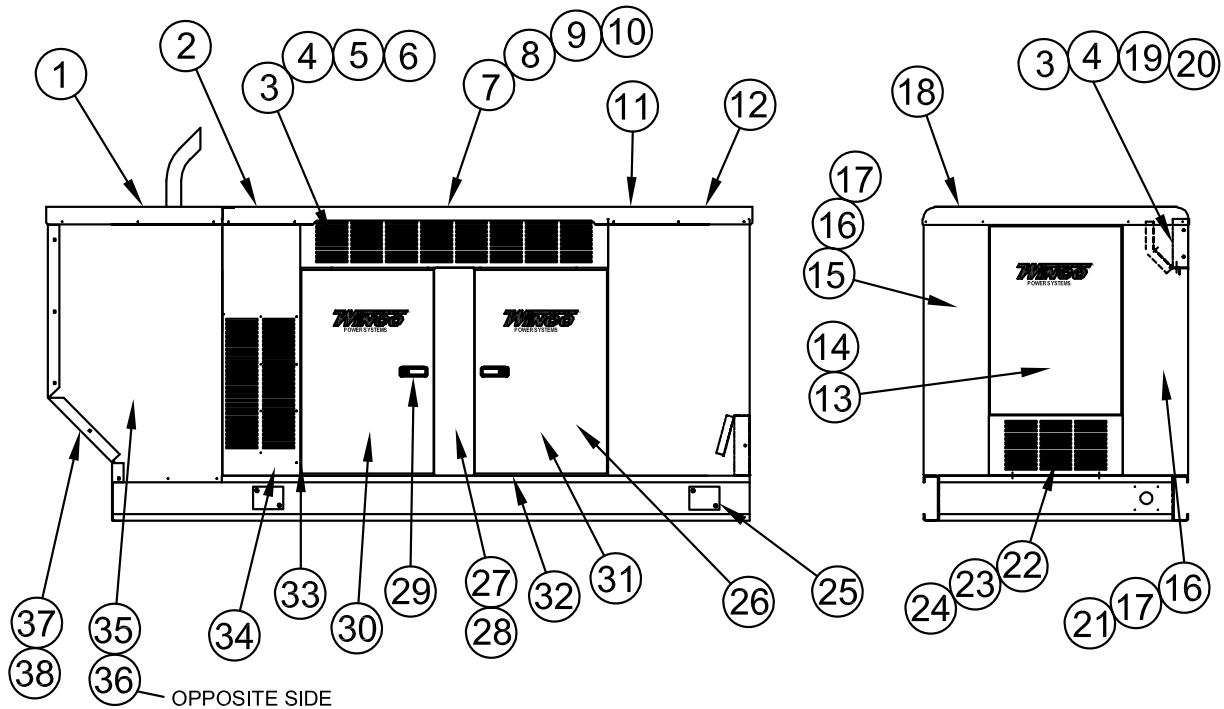


REF #	PART NUMBER	QTY	DESCRIPTION
1	SEE TABLE	1	Circuit Breaker
2	99826-005	1	Back & Side Cabinet
3	99828-005	1	Top Panel
4	99280-000	1 FT	Continuous Grommet
5	99731-011	1	CB Box Access Panel
6	350124-4	1	225A Neutral Terminal
7	58060-000	1	Pressure Terminal Lug
8	16499-001	1	Decal, Grounding Lug
9	64893-002	1	Angle Bracket
10	16501-000	1	Decal, Flouting Neutral

REF #	PART NUMBER	QTY	DESCRIPTION
11	99831-006	1	Circuit Breaker Spacer
12	99827-005	1	Cabinet Cover Plate
13	99828-004	1	Bottom Panel
14	93542-016	1	Lead Wire
15	16503-000	1	Decal, Copper Conductor
16	64576-009	1	Decal, Gen. Output

MODEL	PART NUMBER	DESCRIPTION
ULPSS40LS-3/D	91447-009	175A 2-Pole Breaker
ULPSS40LS-4/D	81096-003	150A 3-Pole Breaker
ULPSS40LS-17/D	81096-002	125A 3-Pole Breaker
ULPSS40LS-18/D	81097-004	60A 480V 3-Pole Breaker

HOUSING ASSEMBLY

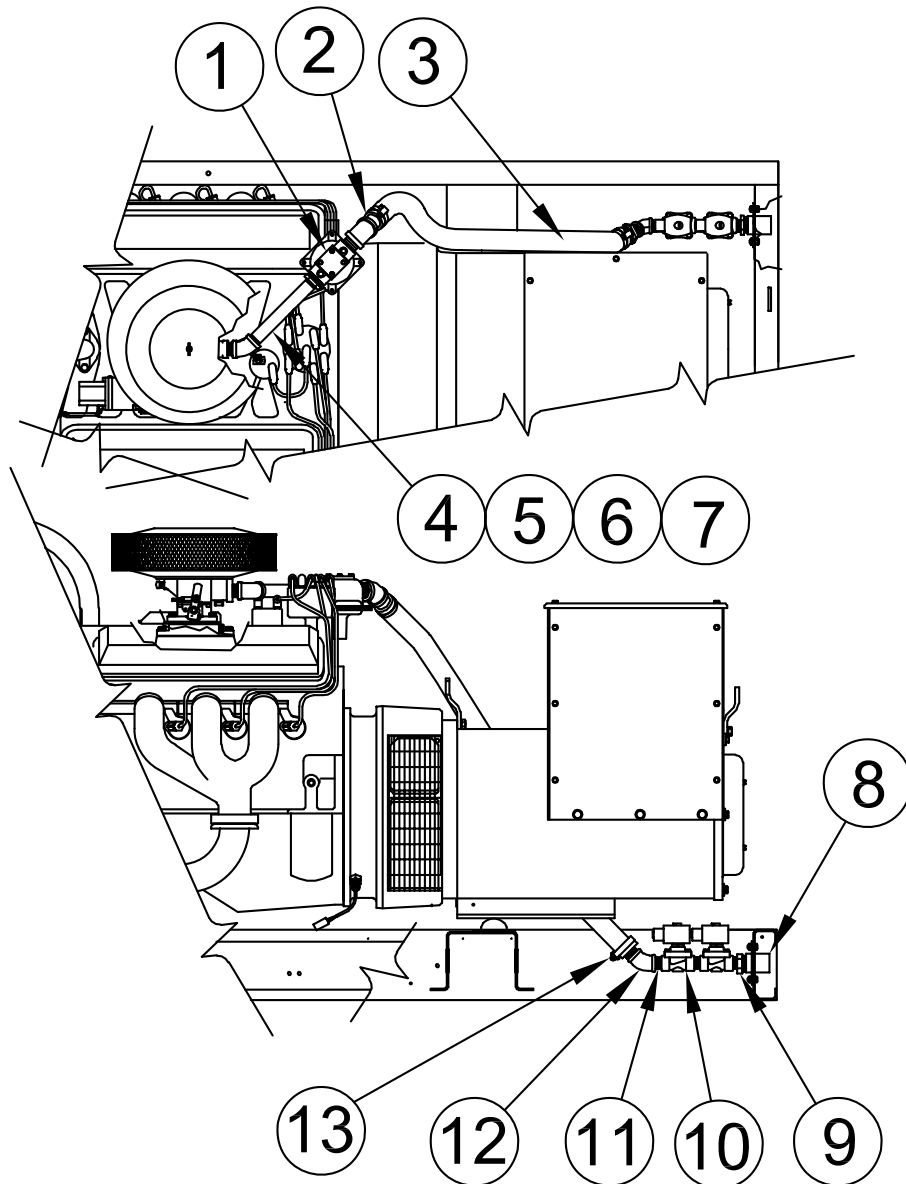


HOUSING ASSEMBLY

REF #	PART NUMBER	QTY	DESCRIPTION
1	62026-003	1	Radiator Cap Cover Plate
2	99393-416	1	Foam Part
3	99098-002	2	Side Sill
4	99103-004	2	Side Sill Backing Plate
5	99224-000	4	Door Jam
6	99393-417	2	Foam Part
7	99225-001	1	Roof Support
8	62825-011	1	Spacer
9	65000-002	1	¼-20 X 1 Stainless Hex Bolt
10	16248-000	1	¼-20 Flange Nut
11	99393-421	1	Foam Part
12	99086-008	1	Roof
13	15680-031	1	Rear Door
14	99393-425	1	Foam Part
15	99067-012	1	Left Rear Corner Post
16	99393-428	1	Foam Part
17	99393-429	1	Foam Part
18	99391-003	1	Roof End
19	99393-427	2	Foam Part
20	99098-001	1	Side Sill
21	99067-011	1	Right Rear Corner Post
22	99100-002	1	Rear Door Bottom Sill
23	99725-001	1	Bottom Sill Backing Plate
24	99393-430	1	Foam Part
25	99060-000	4	Lifting Hole Cover Plate
26	15680-029	2	Right Swing Door
27	99066-003	2	Mullion
28	99393-426	2	Foam Part
29	95229-005	4	Compression Latch
30	15680-030	2	Left Swing Door
31	99393-424	4	Foam Part
32	99333-005	4	Bottom Door Stop
33	98375-015	4	Hinge
34	99071-009	1	Housing Front
35	99392-002	1	Left Side Extension Panel
36	99392-003	1	Right Side Extension Panel
37	99083-001	1	Front Extension Panel Cover
38	99393-406	1	Foam Part

REF #	PART NUMBER	QTY	DESCRIPTION
NI	99378-024	1	Right Front Housing Baffle
NI	99378-023	1	Left Front Housing Baffle
NI	99378-007	1	Right Inner Baffle
NI	99378-006	1	Left Inner Baffle
NI	92421-001	9 FT	¾" Square Foam
NI	99732-002	1	Reflective Foam
NI	99732-001	1	Reflective Foam
NI	Not Illustrated		

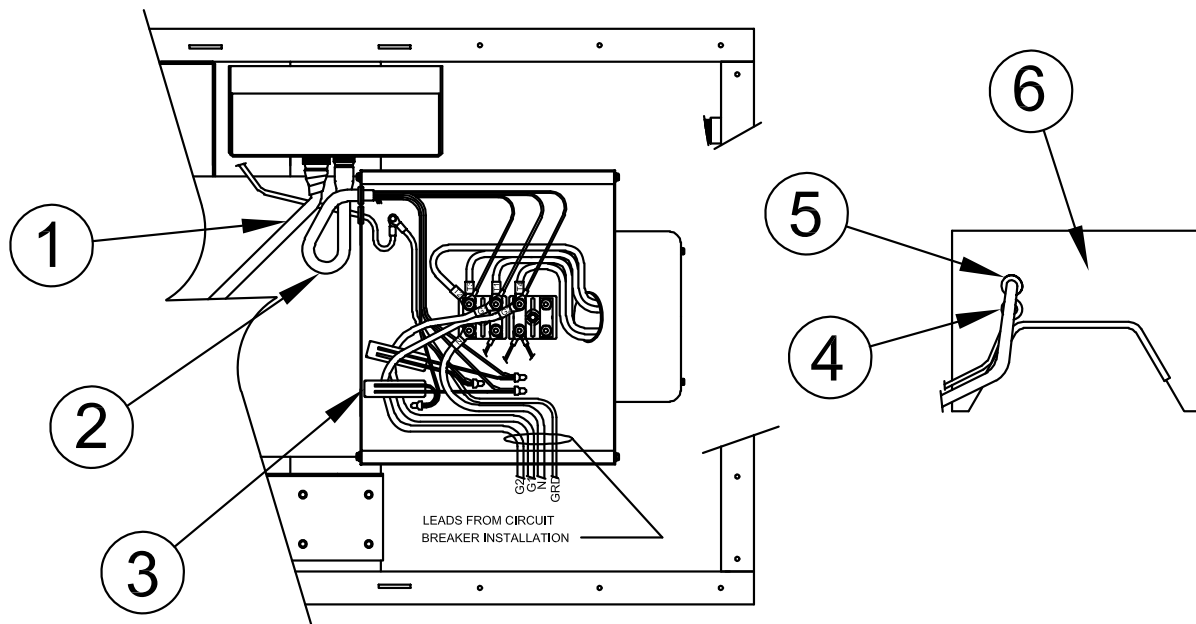
FUEL SYSTEM ASSEMBLY



FUEL SYSTEM ASSEMBLY

REF #	PART NUMBER	QTY	DESCRIPTION
1	50248-000	1	Regulator
2	92388-004	1	3/4" to 1" Hose Fitting
3	49409-006	3.5 FT	1" ID Hose 42" Long
4	Reference	1	3/4" x 3 1/2" Pipe Nipple
5	50244-000	1	3/4" X 90° Pipe Elbow
6	81075-000	1	3/4" - 1/2" Reducer
7	Reference	1	1/2" X 3" Pipe Nipple
8	99065-000	1	Fuel Inlet Weldment
9	81077-000	1	1" X 3/4" Reducer
10	42942-000	2	Solenoid
11	54074-006	4	3/4" X 1.5" Pipe Nipple
12	56896-000	2	3/4" X 45° Pipe Elbow
13	81018-004	2	Hose Clamp

AC WIRING ASSEMBLY

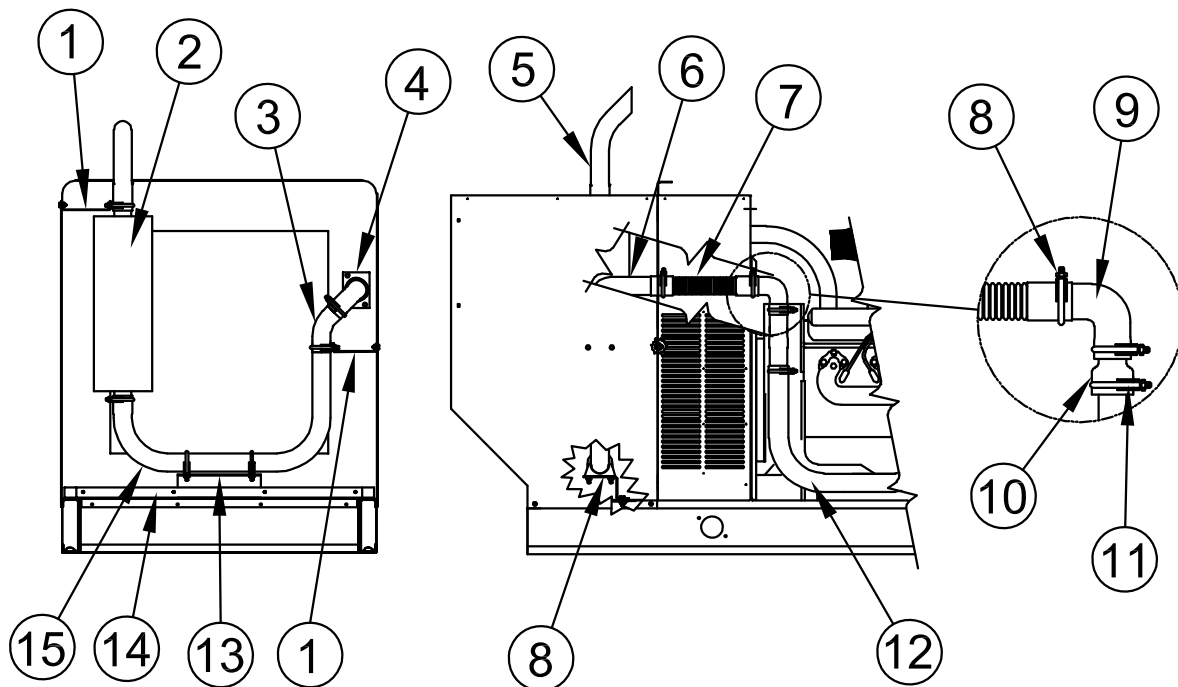


AC WIRING ASSEMBLY

REF #	PART NUMBER	QTY	DESCRIPTION
1	99420-016	1	Engine Control Harness
2	99347-010	1	A.C. Harness
3	SEE TABLE	2 or 3	Current Transformer
4	23917-000	1	Grommet
5	62486-000	1	Grommet
6	99731-015	1	Rear Panel
NI	350818	1	Voltage Regulator, SX 460
NI	Not Illustrated		

MODEL	PART NUMBER	DESCRIPTION	QUANTITY
ULPSS40LS-3	80124-005	200:5 AMP	2
ULPSS40LS-4	80124-004	150:5 AMP	3
ULPSS40LS-17	80124-004	150:5 AMP	3
ULPSS40LS-18	80124-002	75:5 AMP	3

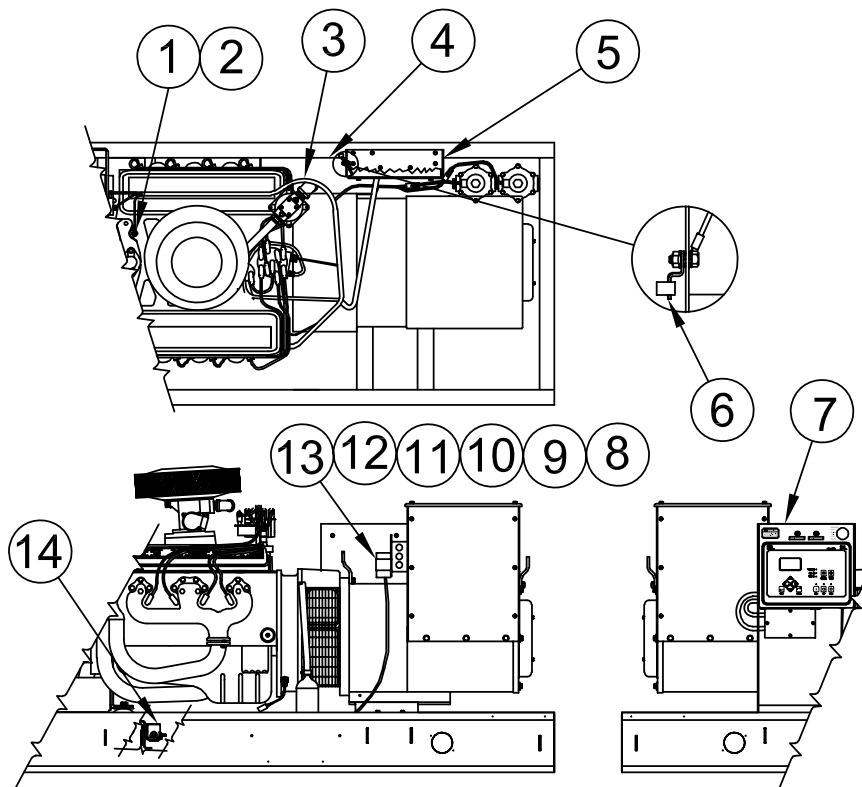
EXHAUST ASSEMBLY



EXHAUST ASSEMBLY

REF #	PART NUMBER	QTY	DESCRIPTION
1	99291-001	1	Exhaust Pipe Support
2	80519-001	1	Muffler
3	97761-004	1	45° 2" Elbow
4	99060-002	1	Cover Plate
5	99299-000	1	Tail Pipe
6	97761-002	1	90° 2" Long Radius Elbow
7	64743-001	1	Flex Exhaust
8	93489-003	9	Muffler Clamp
9	97761-003	1	90° 2" Short Radius Elbow
10	64924-000	1	Reducer
11	93489-001	1	Muffler Clamp
12	97274-000	11 FT	High Temperature Tape
13	99291-002	1	Exhaust Pipe Support
14	99234-000	1	Exhaust Support
15	99223-001	1	Air Chamber Floor
16	99298-002	1	Exhaust Pipe

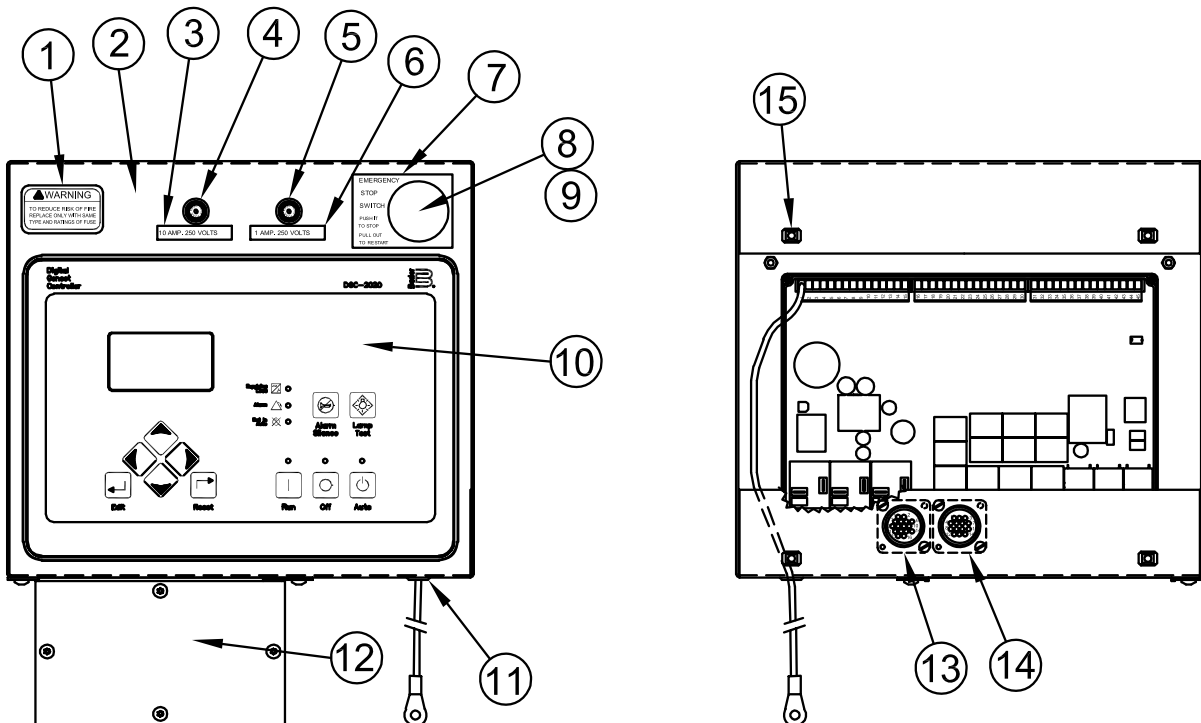
ENGINE CONTROL ASSEMBLY



ENGINE CONTROL ASSEMBLY

REF #	PART NUMBER	QTY	DESCRIPTION
1	99265-001	1	Temperature Sender
2	56372-000	1	3/8" to 1/2" Reducer
3	99420-016	1	Engine Control Harness
4	99317-001	1	Battery Tray
5	16440-008	1	Programming Cover Plate
6	48042-000	1	Ground Lug
7	99777-007	1	Control Box Assembly
8	16287-000	1	Battery Tender
9	300308-410	1	Hold Down Bracket
10	92789-000	1	2" X 2" X 4" Utility Box
11	24749-000	1	Duplex Receptacle
12	59026-002	1	Cover Plate
13	63941-005	1	Caution Decal
14	80980-000	1	Start Solenoid
NI	53220-058	1	Red (+) Battery Cable
NI	53220-013	1	Black (-) Battery Cable
NI	Not Illustrated		

DGC-2020 CONTROL ASSEMBLY



DGC-2020 CONTROL ASSEMBLY

REF #	PART NUMBER	QTY	DESCRIPTION
1	63941-004	1	Fuse Rating Warning Decal
2	99055-012	1	Control Box Front Panel
3	15983-006	1	10 Amp Fuse Decal
4	95064-006	1	10 Amp Fuse
5	95064-003	1	1 Amp Fuse
6	15983-005	1	1 Amp Fuse Decal
7	63941-006	1	Emergency Stop Decal
8	99783-002	1	Emergency Stop Switch Block
9	99783-001	1	Emergency Stop Switch
10	351855-1	1	Basler DGC-2020 Engine Control
11	45853-000	1	Grommet
12	99777-010	REF	Remote Terminal Block Assy
13	96925-006	1	16 Pin Connector
14	96925-002	1	14 Pin Connector
15	92485-000	4	¼-20 Retained Square Nut
NI	2489-001	2	Fuse Holder
NI	300542	1	Battery
NI	Not Illustrated		

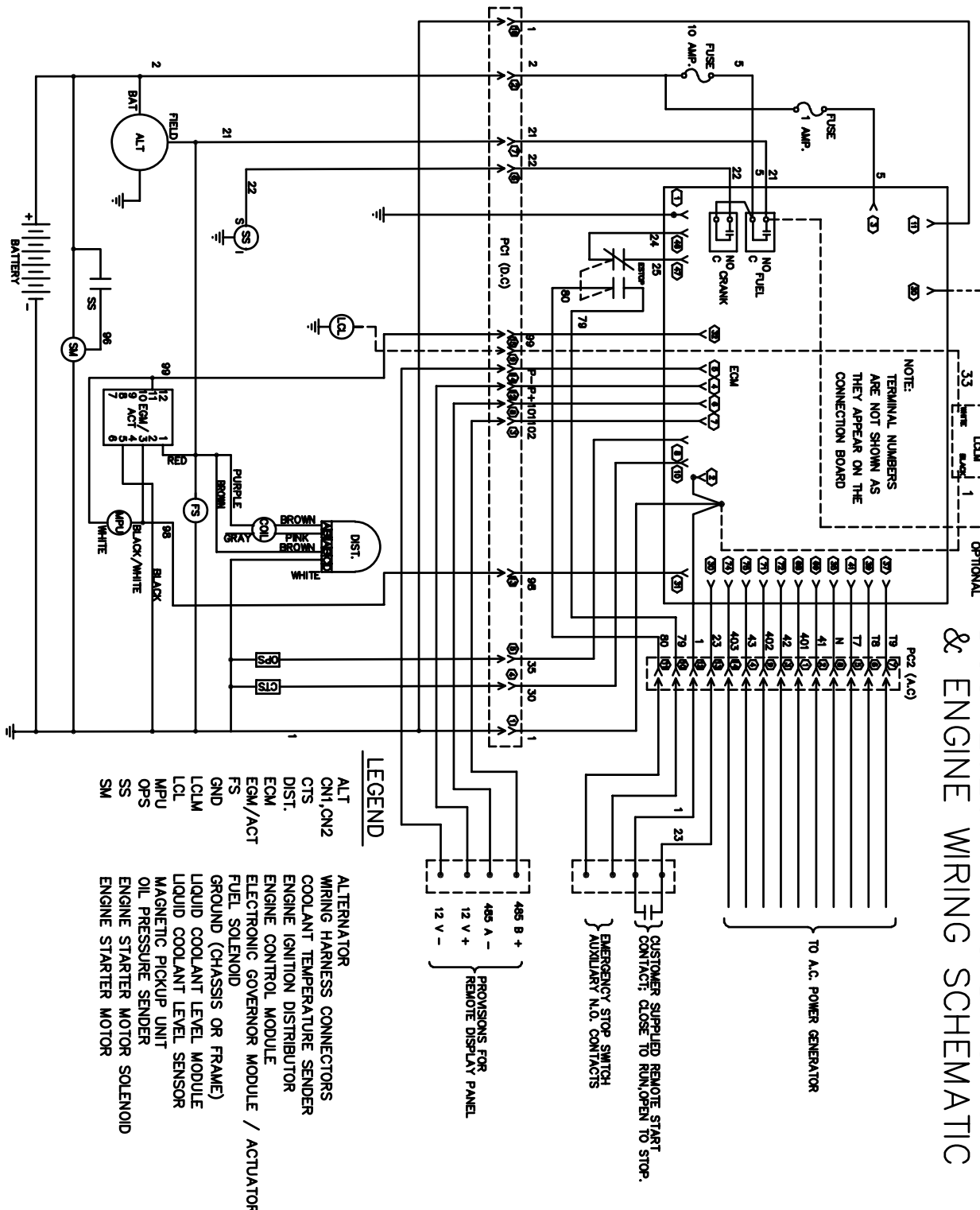
GENERAL INFORMATION

PART NO.	MODEL	ENGINE & BASE ASSEMBLY	ENGINE REF	MODIFIED GENERATOR	GENERATOR REF
99961-001	ULPSS40LS-3DNG	B-99382-069	B-350775-4	B-99692-070	B-351928-21
99961-002	ULPSS40LS-4DNG	B-99382-069	B-350775-4	B-99692-071	B-351928-1
99961-003	ULPSS40LS-17DNG	B-99382-069	B-350775-4	B-99692-072	B-351928-1
99961-004	ULPSS40LS-18DNG	B-99382-069	B-350775-4	B-99692-073	B-351928-1
99961-005	ULPSS40LS-3DLP	B-99382-070	B-350775-5	B-99692-070	B-351928-21
99961-006	ULPSS40LS-4DLP	B-99382-070	B-350775-5	B-99692-071	B-351928-1
99961-007	ULPSS40LS-17DLP	B-99382-070	B-350775-5	B-99692-072	B-351928-1
99961-008	ULPSS40LS-18DLP	B-99382-070	B-350775-5	B-99692-073	B-351928-1
99961-009	PSS40LS-3DLPG	B-99382-071	B-350775-6	B-99692-070	B-351928-21
99961-010	PSS40LS-4DLPG	B-99382-071	B-350775-6	B-99692-071	B-351928-1
99961-011	PSS40LS-17DLPG	B-99382-071	B-350775-6	B-99692-072	B-351928-1
99961-012	PSS40LS-18DLPG	B-99382-071	B-350775-6	B-99692-073	B-351928-1

PART NO.	MODEL	FUEL SYSTEM	ENGINE CONTROL	HOUSING/EX.SYSTEM	CIRCUIT BREAKER INSTALLATION
99961-001	ULPSS40LS-3DNG	B-99362-010	B-99683-029	B-99397-011	B-99829-028
99961-002	ULPSS40LS-4DNG	B-99362-010	B-99683-029	B-99397-011	B-99829-029
99961-003	ULPSS40LS-17DNG	B-99362-010	B-99683-029	B-99397-011	B-99829-030
99961-004	ULPSS40LS-18DNG	B-99362-010	B-99683-029	B-99397-011	B-99829-031
99961-005	ULPSS40LS-3DLP	B-99362-010	B-99683-029	B-99397-011	B-99829-028
99961-006	ULPSS40LS-4DLP	B-99362-010	B-99683-029	B-99397-011	B-99829-029
99961-007	ULPSS40LS-17DLP	B-99362-010	B-99683-029	B-99397-011	B-99829-030
99961-008	ULPSS40LS-18DLP	B-99362-010	B-99683-029	B-99397-011	B-99829-031
99961-009	PSS40LS-3DLPG	B-99367-007	B-99683-029	B-99397-011	B-99829-028
99961-010	PSS40LS-4DLPG	B-99367-007	B-99683-029	B-99397-011	B-99829-029
99961-011	PSS40LS-17DLPG	B-99367-007	B-99683-029	B-99397-011	B-99829-030
99961-012	PSS40LS-18DLPG	B-99367-007	B-99683-029	B-99397-011	B-99829-031

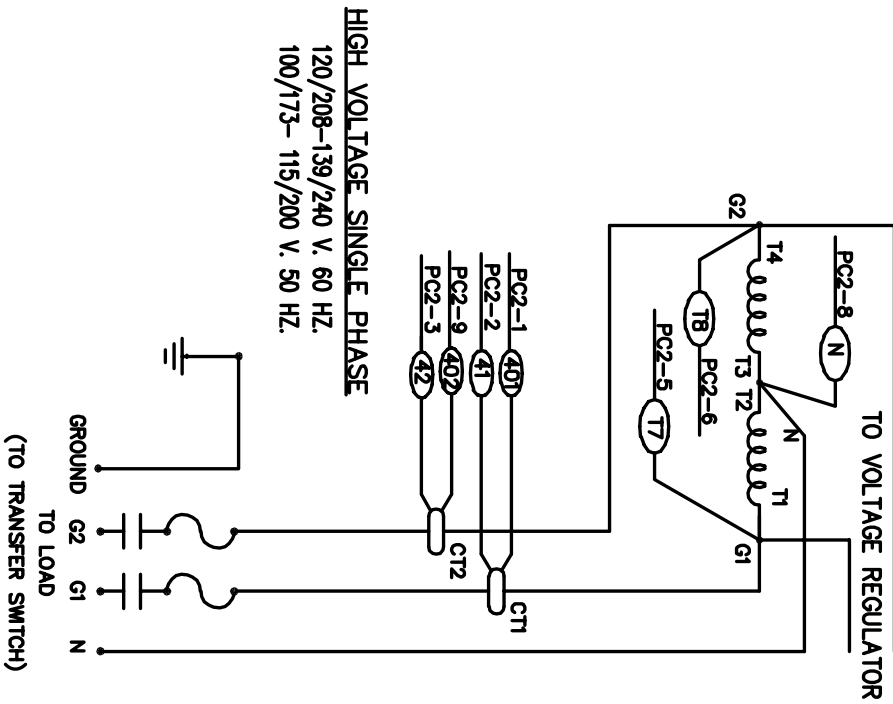
NOTE: MODELS WITH LIQUID WITHDRAWAL FUEL SYSTEMS ARE NOT U.L. APPROVED.

DC WIRING SCHEMATIC

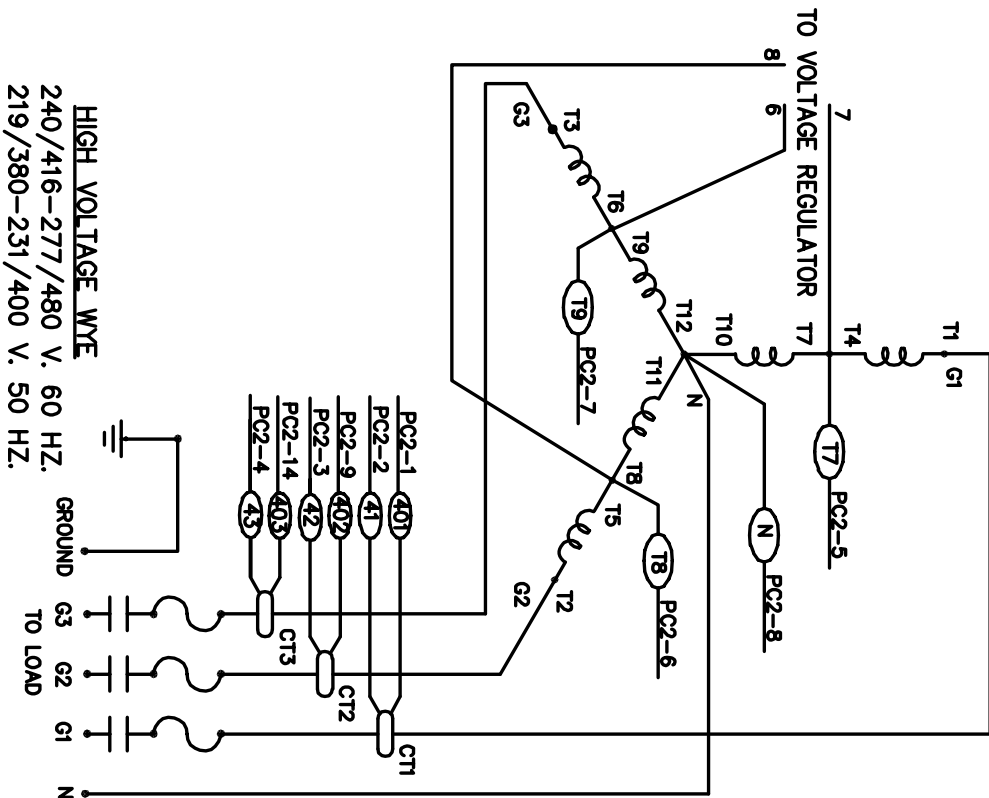


DGC-2020 WIRING DIAGRAM & ENGINE WIRING SCHEMATIC

ULPSS40LS-3/D



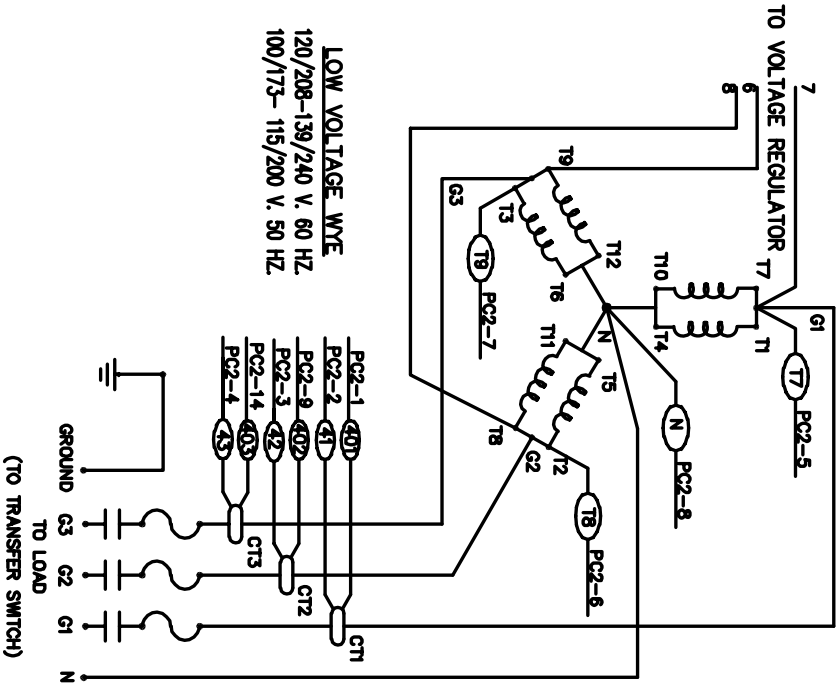
ULPSS40LS-18/D



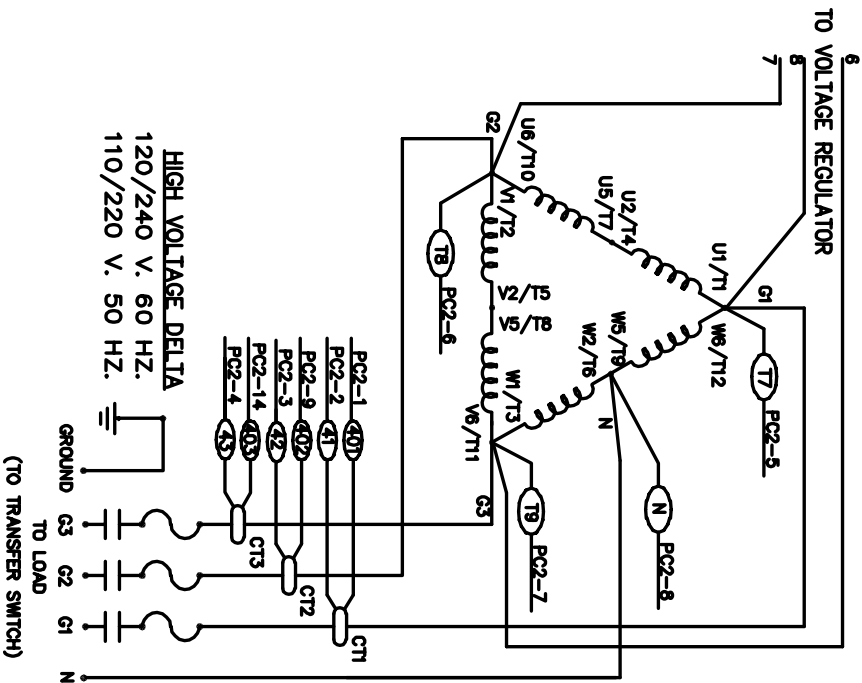
AC WIRING SCHEMATICS

AC WIRING SCHEMATICS

ULPSS40LS-4/D



ULPSS40LS-17/D



WINCO INC.[®]
*A Division of **DTI** Dyna Technology Inc*

WINCO INC.
225 S. CORDOVA AVE.
LECENTER, MN 56057
507-357-6821
SERVICE DEPT.
507-357-6831