



ILLUSTRATED PARTS LIST

PSS27LS-3/E

PSS27LS-4/E

PSS27LS-17/E

PSS27LS-18/E

ULPSS27LS-3/F

ULPSS27LS-4/F

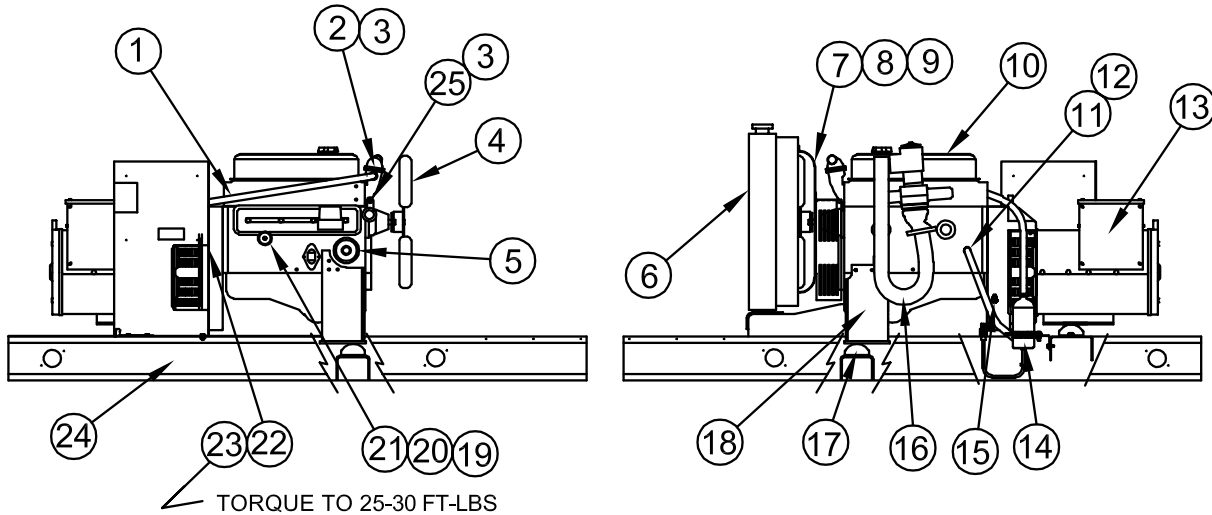
ULPSS27LS-17/F

ULPSS27LS-18/F



225 S. CORDOVA AVE.
LECENTER, MN 56057
507-357-6821
SERVICE DEPT.
507-357-6831

ENGINE & GENERATOR ASSEMBLY



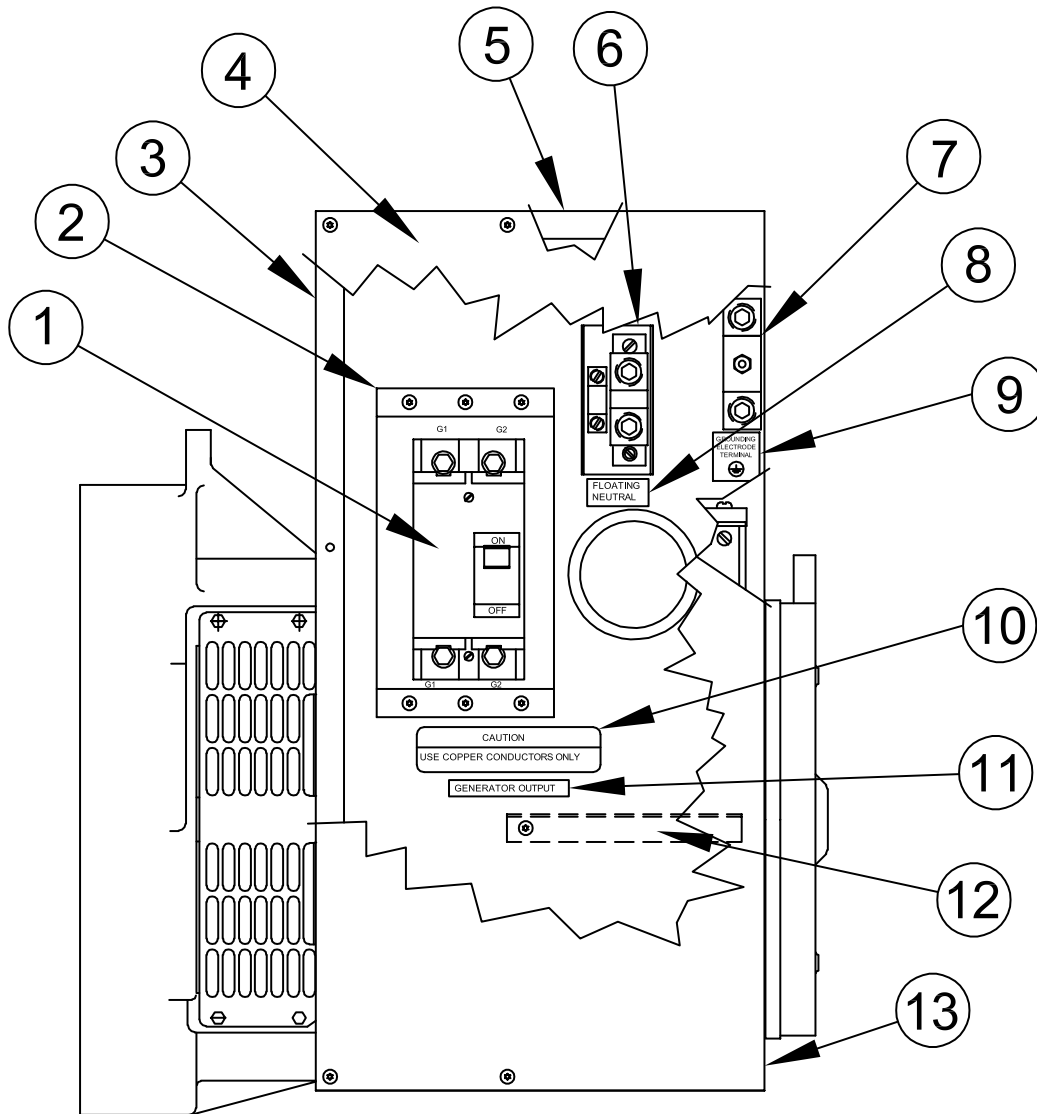
REF #	PART NUMBER	QTY	DESCRIPTION
1	93689-001	6 FT	5/8" I.D. Heater Hose
2	92388-000	1	3/8 NPT to 5/8 Brass Fitting
3	56372-000	2	1/2" to 3/8" Pipe Reducer
4	Reference	1*	Fan
5	PF-454	1	AC Delco Oil Filter
6	Reference	1*	Radiator
7	64714-009	1	Fan Belt Guard
8	64045-012	6	Mounting Strap
9	21698-001	6	#10 X 1" Sheet Metal Screw
10	350775-1	1	Engine, GM 3.0 Liter
11	81018-008	4	Hose Clamp
12	350341	1	1/4" NPT to 5/8" Hose Fitting
13	SEE TABLE	1	Generator, Stamford Newage
14	80781-003	1	Engine Block Heater
15	99503-002	1	Magnetic Pick-up
16	Reference	1*	Exhaust Pipe & Flange
17	98956-001	4	Shock Mount
18	Reference	2*	Front Bracket Mounts
19	99267-001	1	Oil Pressure Sender
20	22455-000	1	1/8" Coupling
21	92386-001	1	1/8" Close Nipple
22	481-000	12	3/8" Lock Washer
23	96000-004	12	HHCS 3/8"-16 X 1 1/2"

REF #	PART NUMBER	QTY	DESCRIPTION
24	99381-019	1	Base Assembly
25	99265-001	1	Coolant Temp. Sensor
NI	99317-001	1	Batter Tray
NI	53220-067	1	Negative Battery Cable
NI	53220-056	1	Positive Battery Cable
NI	93542-010	1	Lead Wire Assembly
NI	350818-2	1	Voltage Regulator AS440UL
NI	Not Illustrated		
*	Parts provided by GM		

STAMFORD NEWAGE GENERATORS

STAMFORD NEWAGE MODEL #	BCI184F 4-LEAD	BCI184G 12-LEAD
WINCO PART #	351965-21	351965-3

CIRCUIT BREAKER ASSEMBLY

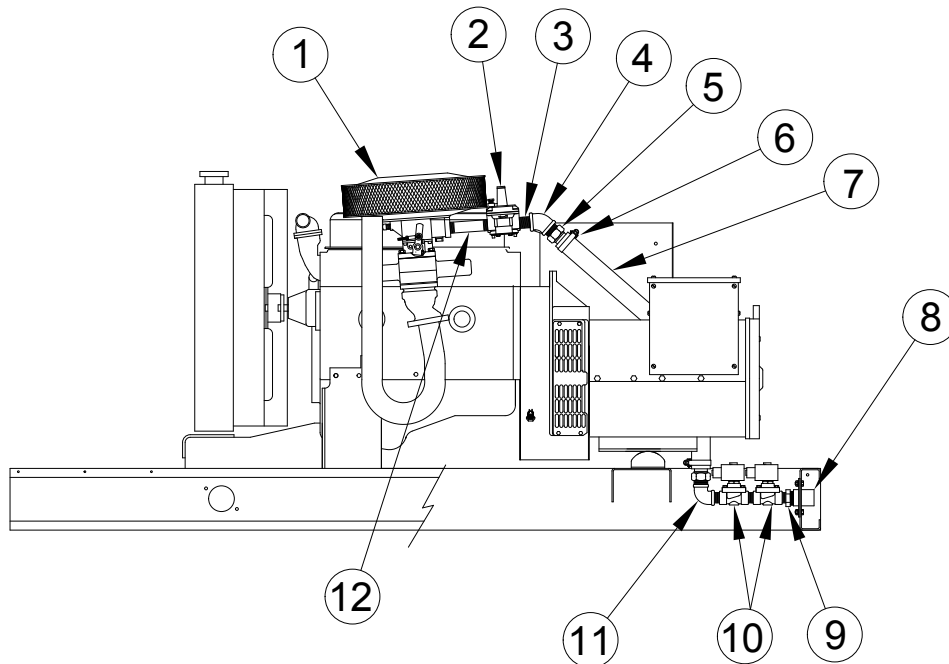


REF #	PART NUMBER	QTY	DESCRIPTION
1	SEE TABLE	1	Main Circuit Breaker
2	SEE TABLE	1	Circuit Breaker Spacer
3	99826-004	1	Cabinet Back & Sides
4	99827-005	1	Cabinet Cover Plate
5	99828-005	1	Cabinet Top Panel
6	350124-3	1	Neutral Terminal
7	58060-000	1	Pressure Type Terminal Lug
8	16501-000	1	Floating Neutral Decal
9	16499-001	1	Grounding Electrode Decal

REF #	PART NUMBER	QTY	DESCRIPTION
10	16503-000	1	Copper Conductors Only Decal
11	64576-009	1	Generator Output Decal
12	61294-008	1	Angle Bracket
13	99828-004	1	Cabinet Bottom Panel

MODEL #	PART NUMBER	DESCRIPTION
ULPSS27LS-3/FNG ULPSS27LS-3/FLP ULPSS27LS-3/FLPG	91447-010	110A, 2 Pole, 240V MLCB
	99831-010	Circuit Breaker Spacer
ULPSS27LS-4/FNG ULPSS27LS-4/FLP ULPSS27LS-4/FLPG	82584-003	90A, 3 Pole, 240V MLCB
	99831-004	Circuit Breaker Spacer
ULPSS27LS-17/FNG ULPSS27LS-17/FLP ULPSS27LS-17/FLPG	82584-002	80A, 3 Pole, 240V MLCB
	99831-004	Circuit Breaker Spacer
ULPSS27LS-18/FNG ULPSS27LS-18/FLP ULPSS27LS-18/FLPG	81097-001	40A, 3 Pole, 480V MLCB
	99831-005	Circuit Breaker Spacer

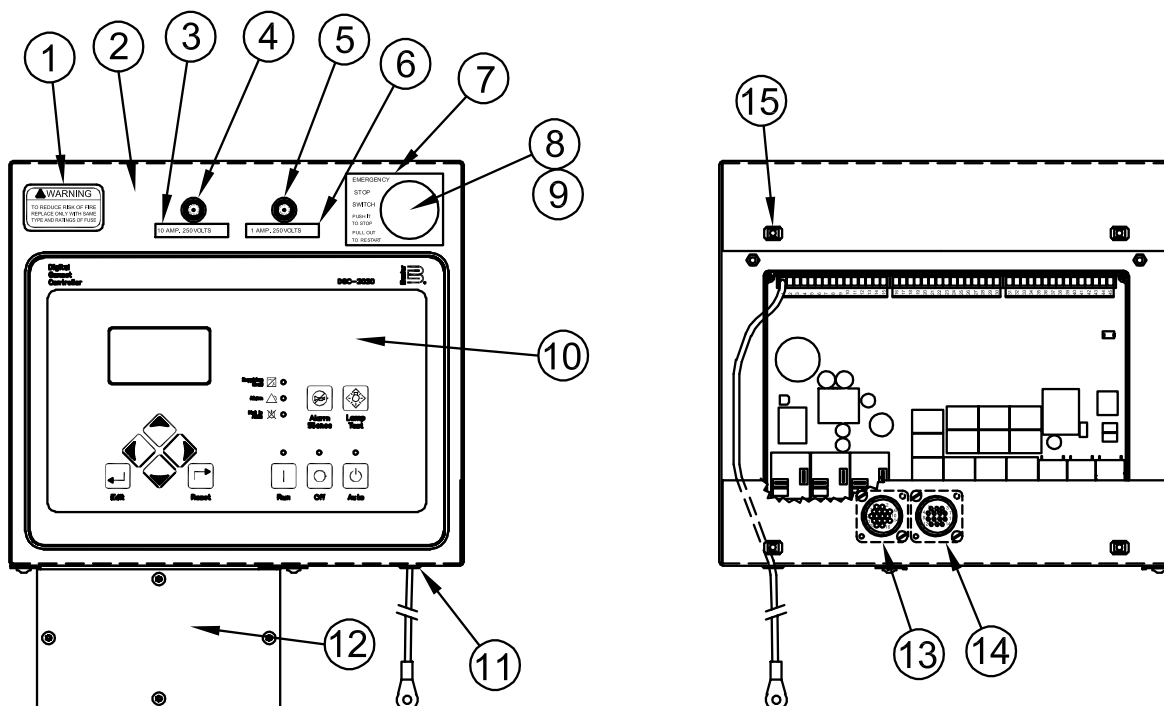
FUEL SYSTEM ASSEMBLY



FUEL SYSTEM ASSEMBLY

REF#	PART NUMBER	QTY	DESCRIPTION
1	F1-8	1*	Air Filter
2	50248-000	1	Regulator
3	54074-006	4	3/4" X 1-1/2" Pipe Nipple
4	56896-000	1	3/4" X 45° Pipe Elbow
5	92388-004	2	3/4" X 1" Hose Fitting
6	81018-004	2	Hose Clamp
7	49409-011	1	1" I.D. Hose (40" Length)
8	99065-000	1	Fuel Inlet Weldment
9	81077-000	1	1" X 3/4" Pipe Reducer
10	42942-000	1	Fuel Solenoid
11	50244-000	1	3/4" X 90° Pipe Elbow
12	Reference	1	3/4" X 3" Pipe Nipple
*	Impco Part Number		

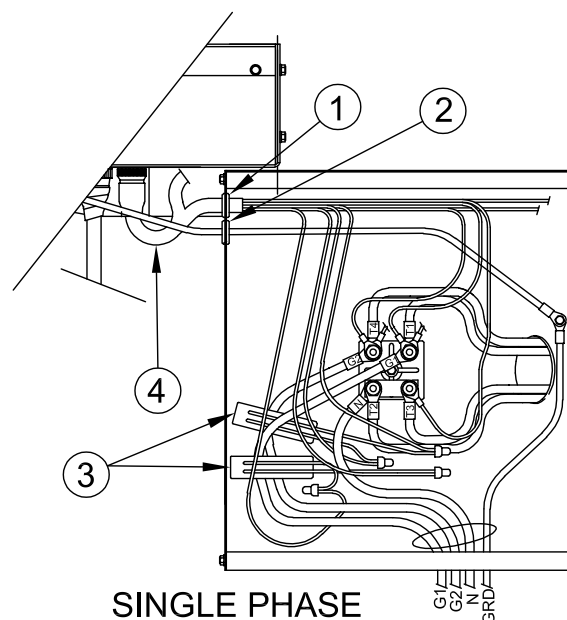
CONTROL BOX ASSEMBLY



CONTROL BOX ASSEMBLY

REF #	PART NUMBER	QTY	DESCRIPTION
1	63941-004	1	Fuse Rating Warning Decal
2	99055-012	1	Control Box Front Panel
3	15983-006	1	10 Amp Fuse Decal
4	95064-006	1	10 Amp Fuse
5	95064-003	1	1 Amp Fuse
6	15983-005	1	1 Amp Fuse Decal
7	63941-006	1	Emergency Stop Decal
8	99783-002	1	Emergency Stop Switch Block
9	99783-001	1	Emergency Stop Switch
10	351855-1	1	Basler DGC-2020 Engine Control
11	45853-000	1	Grommet
12	99777-010	REF	Remote Terminal Block Assy
13	96925-006	1	16 Pin Connector
14	96925-002	1	14 Pin Connector
15	92485-000	4	¼-20 Retained Square Nut
NI	2489-001	2	Fuse Holder
NI	300542	1	Battery
NI	Not Illustrated		

AC WIRING ASSEMBLY

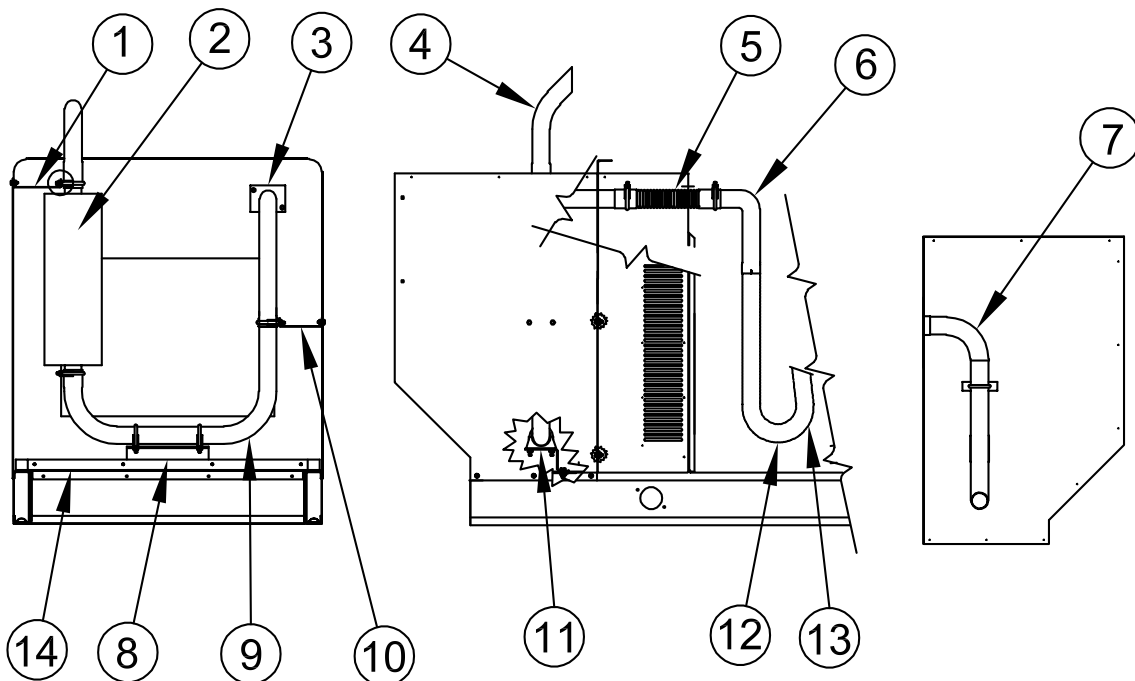


AC WIRING ASSEMBLY

REF #	PART NUMBER	QTY	DESCRIPTION
1	62486-000	1	Grommet
2	23917-000	1	Grommet
3	SEE TABLE	2 or 3	Current Transformer
4	99347-011	1	AC Harness Assembly
NI	350818-2	1	Voltage Regulator AS440UL
NI	99731-014	1	Generator Cover Panel
NI	Not Illustrated		

MODEL	PART NUMBER	DESCRIPTION	QUANTITY
ULPSS27LS-3	80124-004	150:5 AMP	2
ULPSS27LS-4	80124-003	100:5 AMP	3
ULPSS27LS-17	80124-003	100:5 AMP	3
ULPSS27LS-18	80124-001	50:5 AMP	3

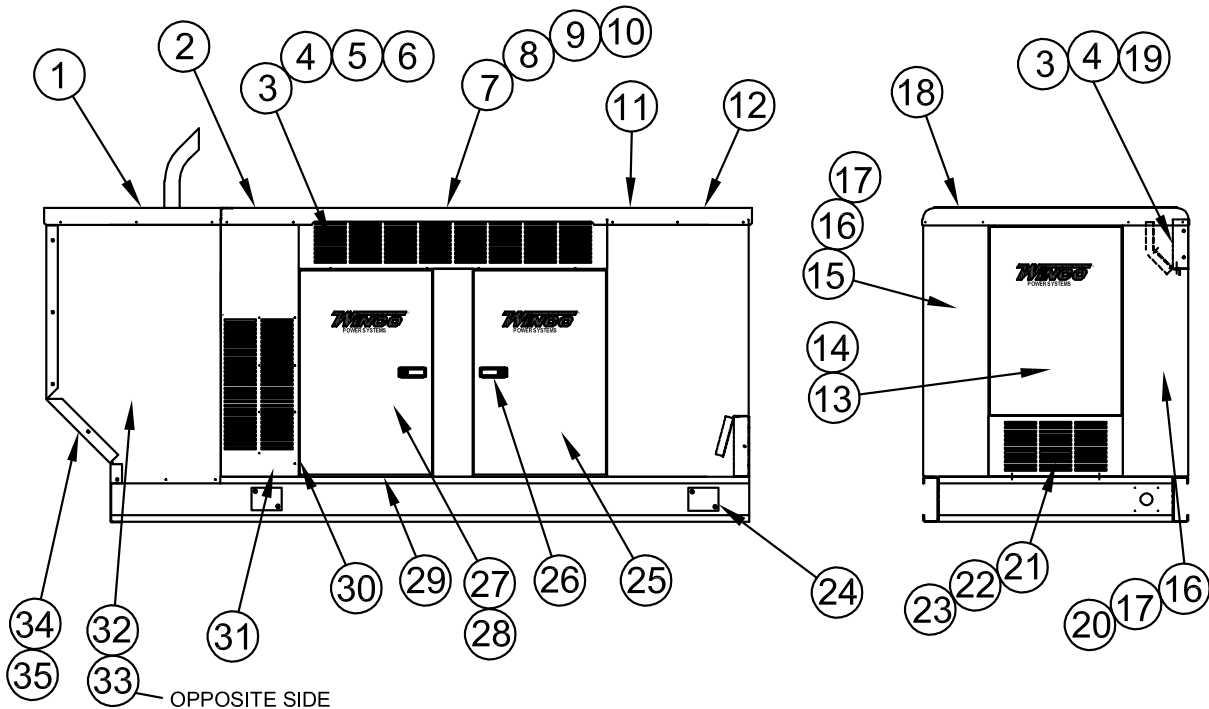
EXHAUST SYSTEM ASSEMBLY



EXHAUST SYSTEM ASSEMBLY

REF #	PART NUMBER	QTY	DESCRIPTION
1	99291-001	1	Exhaust Pipe Support
2	80519-001	1	Muffler
3	99060-002	1	Exhaust Cover Plate
4	99299-000	1	Tail Pipe
5	64743-001	1	Flex Exhaust
6	97761-007	1	90° 2" Elbow
7	97761-006	1	90° 2" Elbow
8	99234-000	1	Exhaust Support
9	99298-001	1	Exhaust Pipe
10	99291-003	1	Exhaust Pipe Support
11	93489-003	8	Muffler Clamp
12	Reference	1*	Exhaust Pipe
13	97274-000	25 FT	High Temperature Tape
14	99223-001	1	Air Chamber Floor
*	Provided with Engine		

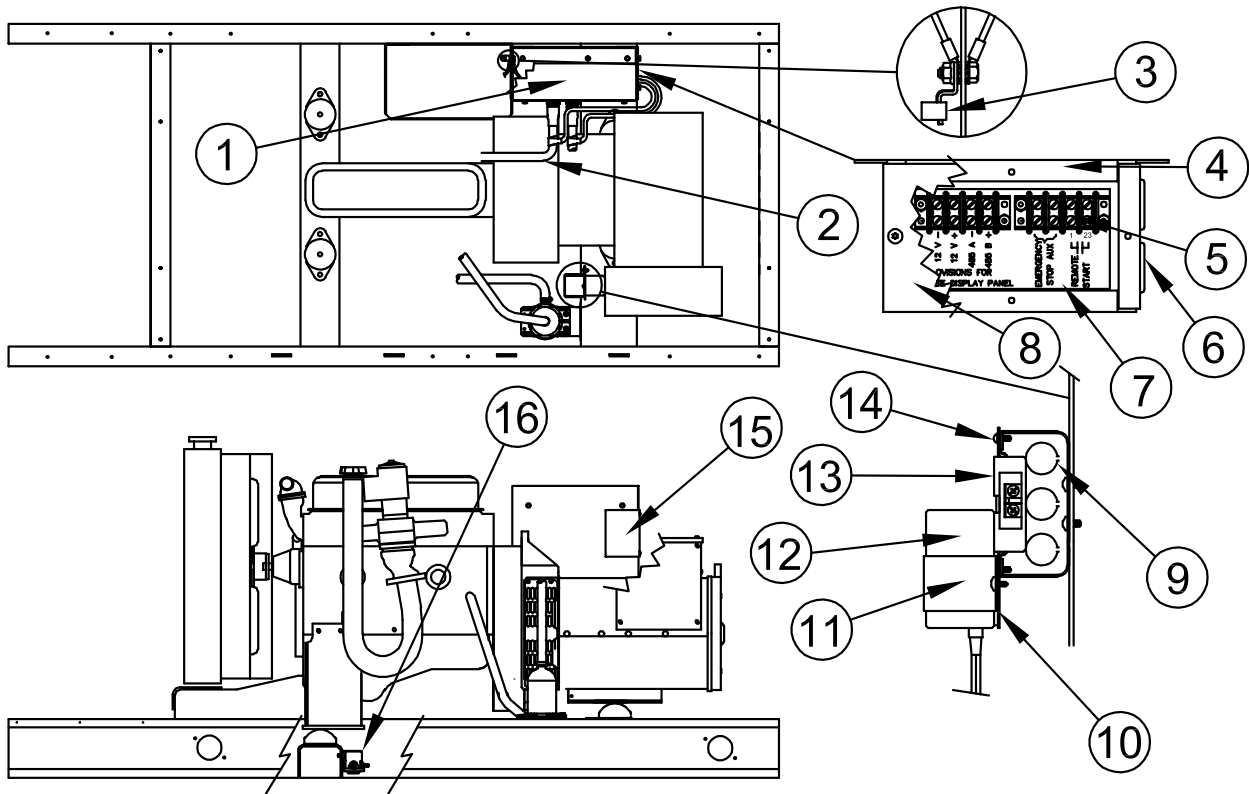
HOUSING ASSEMBLY



HOUSING ASSEMBLY

REF #	PART NUMBER	QTY	DESCRIPTION
1	62026-003	1	Radiator Cap Cover Plate
2	99393-419	1	Foam Part
3	99098-000	2	Side Sill
4	99103-003	2	Side Sill Backing Plate
5	99224-000	4	Door Jam
6	99393-420	2	Foam Part
7	99225-001	1	Roof Support
8	62825-011	1	Spacer
9	65000-002	1	1/4-20 X 1 Stainless Bolt
10	16248-000	1	1/4-20 Flange Nut
11	99393-405	1	Foam Part
12	99086-005	1	Roof
13	15680-028	1	Rear Door
14	99393-423	1	Foam Part
15	99067-006	1	Left Rear Corner Post
16	99393-410	2	Foam Part
17	99393-411	2	Foam Part
18	99391-002	1	Roof End
19	99393-408	2	Foam Part
20	99067-007	1	Right Rear Corner Post
21	99100-000	1	Rear Door Bottom Sill
22	99103-000	1	Bottom Sill Backing Plate
23	99393-404	1	Foam Part
24	99060-000	4	Lifting Hole Cover Plate
25	15680-029	2	Right Swing Door
26	95229-005	4	Compression Latch
27	15680-030	2	Left Swing Door
28	99393-424	4	Foam Part
29	99333-404	4	Bottom Door Stop
30	98375-016	4	Hinge
31	99071-009	1	Housing Front
32	99392-006	1	Left Side Extension Panel
33	99392-007	1	Right Side Extension Panel
34	99083-001	1	Front Extension Panel Cover
35	99393-406	1	Foam Part
NI	99378-025	2	Front Housing Baffle
NI	99708-002	2	Radiator Flange Sides
NI	99708-003	2	Radiator Flange Top & Bottom
NI	92421-000	7 FT	1.5" Square Foam
NI	Not Illustrated		

ENGINE CONTROL / BATTERY CHARGER

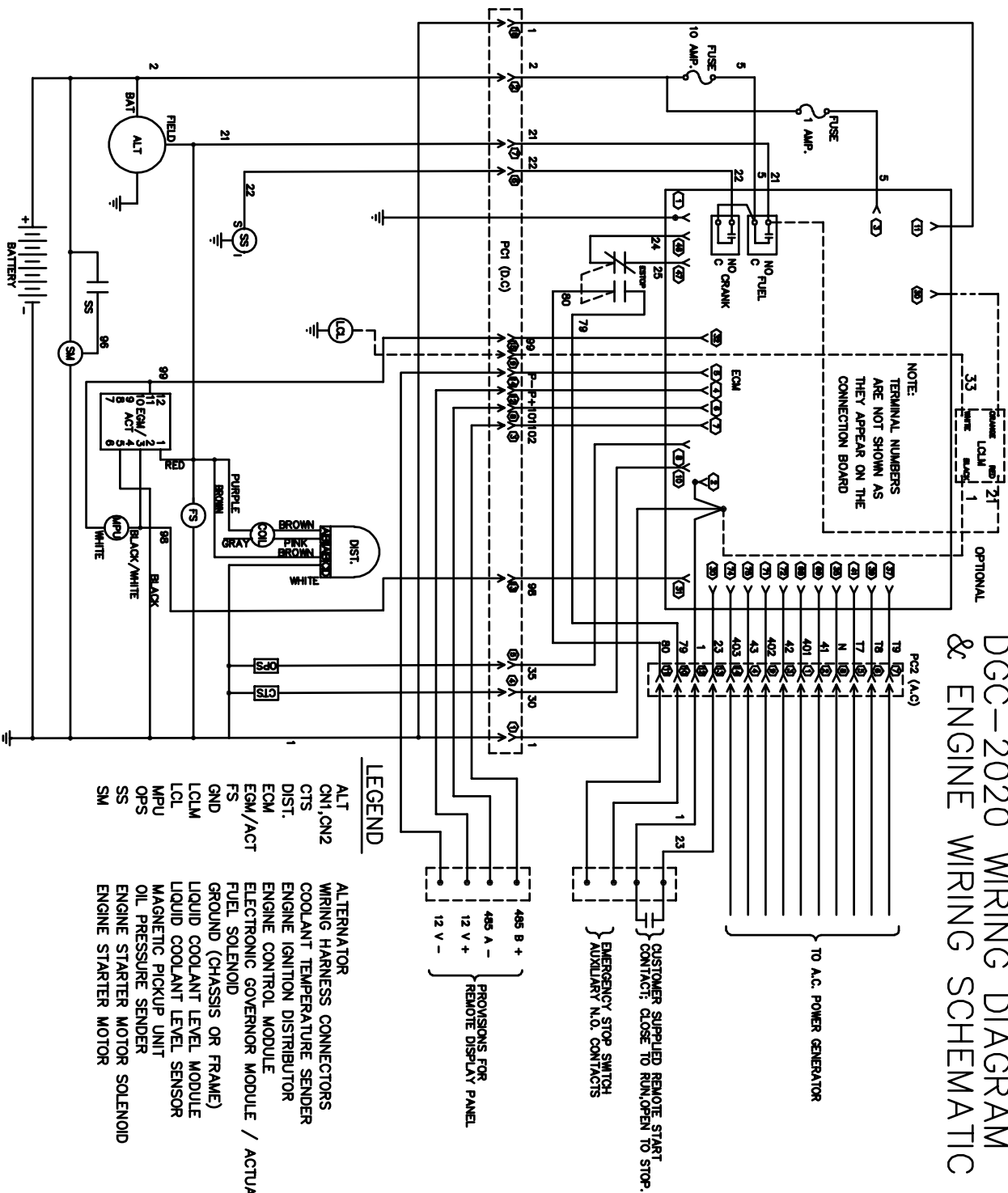


REF #	PART NUMBER	QTY	DESCRIPTION
1	99777-007	1	Engine Control Box Assembly
2	99420-019	1	Engine Control Harness
3	48042-000	1	Ground Lug
4	99873-400	1	Remote Terminal Box
5	80623-008	2	4 Point Terminal Block
6	23917-000	2	Grommet
7	64576-010	1	Decal
8	99873-401	1	Cover Plate
9	92789-000	1	2" X 2" X 4" Utility Box
10	59026-002	1	Cover Plate
11	300308-410	1	Hold Down Bracket
12	16287-000	1	Battery Charger
13	24749-000	1	Duplex Receptacle
14	6917-000	2	#6-32 X 3/8 Screw
15	16440-008	1	Programming Cover Plate
16	80980-000	1	Start Solenoid

GENERAL INFORMATION

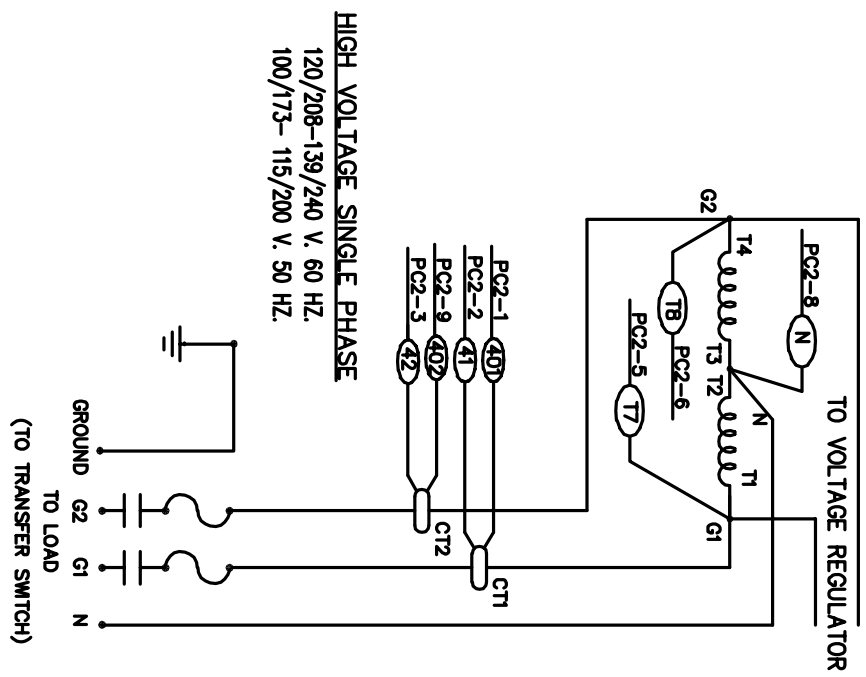
PART NO.	MODEL	ENGINE & BASE ASSEMBLY	ENGINE REF	MODIFIED GENERATOR	GENERATOR REF	FUEL SYSTEM	ENGINE CONTROL	HOUSING/EH SYSTEM	CIRCUIT BREAKER INSTALLATION
99962-001	ULPSS27-3FNG	B-99382-066	B-350775-1	B-99692-074	B-351965-21	B-99362-011	B-99683-030	B-99397-010	B-99829-016
99962-002	ULPSS27-4FNG	B-99382-066	B-350775-1	B-99692-075	B-351965-3	B-99362-011	B-99683-030	B-99397-010	B-99829-017
99962-003	ULPSS27-17FNG	B-99382-066	B-350775-1	B-99692-076	B-351965-3	B-99362-011	B-99683-030	B-99397-010	B-99829-018
99962-004	ULPSS27-18FNG	B-99382-066	B-350775-1	B-99692-077	B-351965-3	B-99362-011	B-99683-030	B-99397-010	B-99829-019
99962-005	ULPSS27-3FLP	B-99382-067	B-350775-2	B-99692-074	B-351965-21	B-99362-011	B-99683-030	B-99397-010	B-99829-016
99962-006	ULPSS27-4FLP	B-99382-067	B-350775-2	B-99692-075	B-351965-3	B-99362-011	B-99683-030	B-99397-010	B-99829-017
99962-007	ULPSS27-17FLP	B-99382-067	B-350775-2	B-99692-076	B-351965-3	B-99362-011	B-99683-030	B-99397-010	B-99829-018
99962-008	ULPSS27-18FLP	B-99382-067	B-350775-2	B-99692-077	B-351965-3	B-99362-011	B-99683-030	B-99397-010	B-99829-019
99962-009	PSS27-3FLPG	B-99382-068	B-350775-3	B-99692-074	B-351965-21	B-99367-007	B-99683-030	B-99397-010	B-99829-016
99962-010	PSS27-4FLPG	B-99382-068	B-350775-3	B-99692-075	B-351965-3	B-99367-007	B-99683-030	B-99397-010	B-99829-017
99962-011	PSS27-17FLPG	B-99382-068	B-350775-3	B-99692-076	B-351965-3	B-99367-007	B-99683-030	B-99397-010	B-99829-018
99962-012	PSS27-18FLPG	B-99382-068	B-350775-3	B-99692-077	B-351965-2	B-99367-007	B-99683-030	B-99397-010	B-99829-019

DC WIRING SCHEMATIC

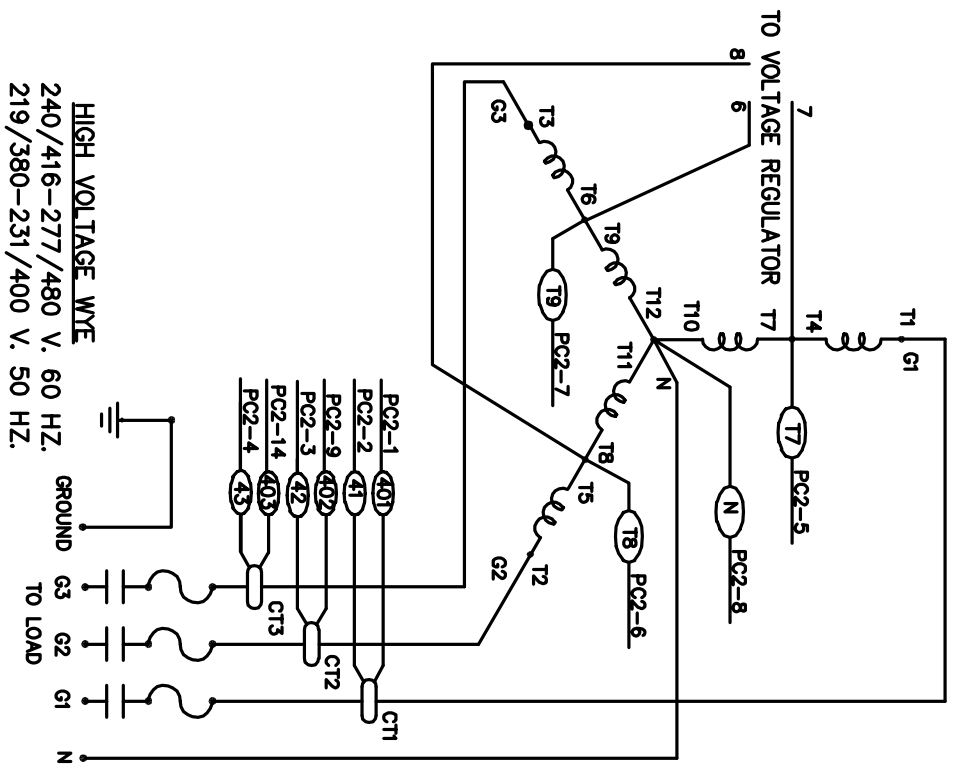


DGC-2020 WIRING DIAGRAM & ENGINE WIRING SCHEMATIC

ULPSS27LS-3/F

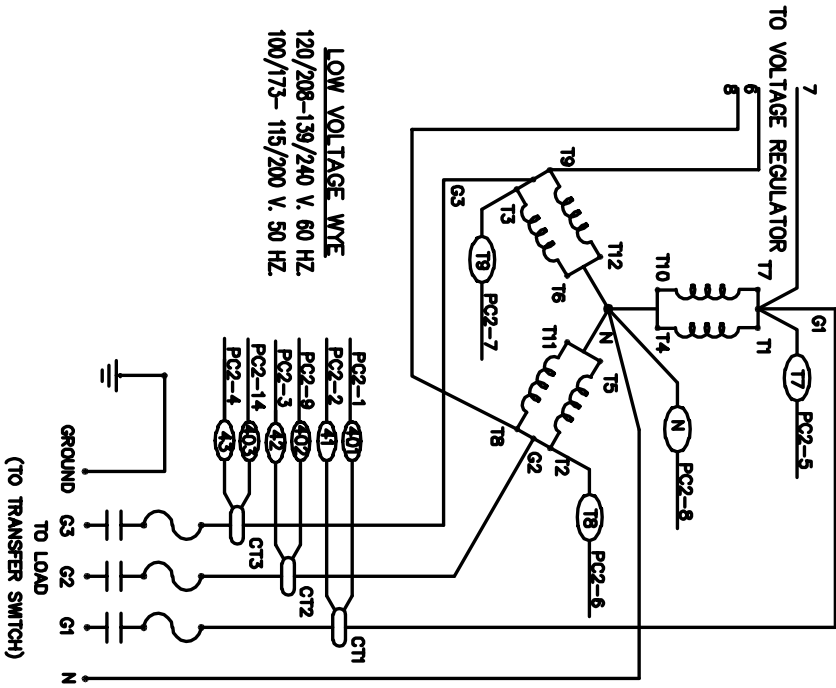


ULPSS27LS-18/F



AC WIRING SCHEMATICS

ULPSS27LS-4/F



ULPSS27LS-17/F

