



**ILLUSTRATED
PARTS LIST**

PSS40LS-3/B

PSS40LS-4/B

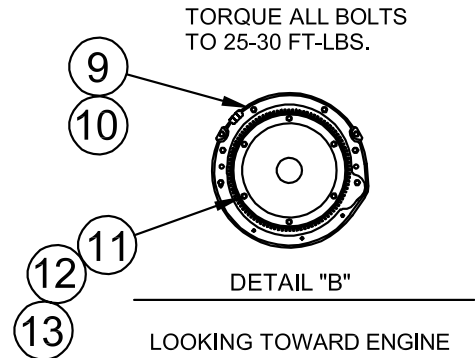
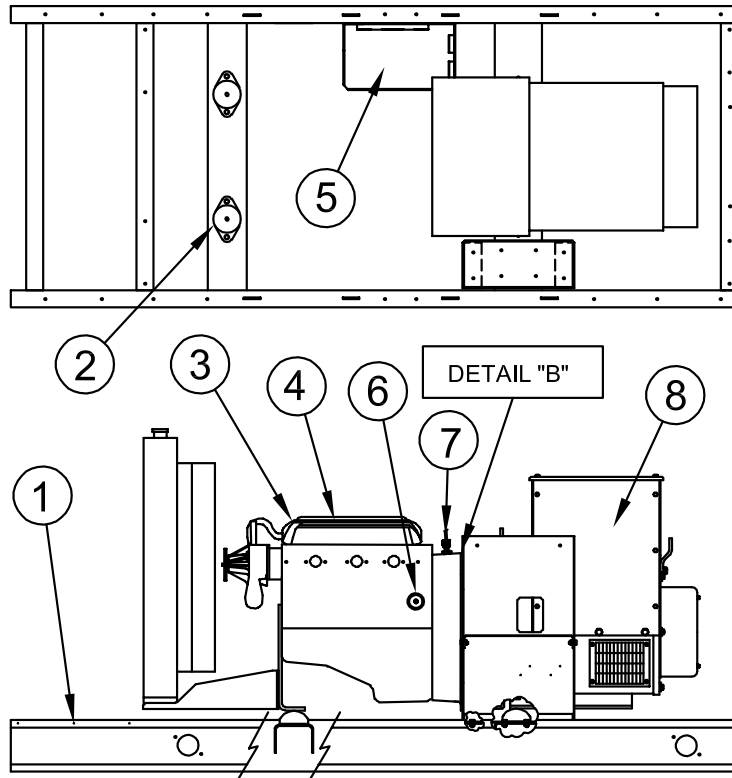
PSS40LS-17/B

PSS40LS-18/B

**2003-2007
WITH BASLER
DGC-500
ENGINE
CONTROL**

**WINCO INC.
225 S. CORDOVA AVE.
LE CENTER, MN 56057
(507) 357-6821
SERVICE DEPT.
(507) 357-6831
wincogen.com**

GENERATOR ASSEMBLY



REF #	PART NUMBER	QTY	DESCRIPTION
1	99381-013	1	Base
2	98956-001	4	Shock Mount
3	99265-000	1	Water Temperature Sender
4	SEE TABLE	1	Engine GM 4.3 Liter
5	93569-001	1	Battery Tray
6	99267-001	1	Oil Pressure Sender
7	350101-1	1	Magnetic Pick-up
8	SEE TABLE	1	Generator
9	94282-035	6	M6-1.5 X 35 Bolt
10	97436-010	6	10 mm Lock Washer
11	96000-005	6	3/8"-16 X 1 3/4" Bolt
12	526-000	6	Flat Washer
13	481-001	6	Lock Washer
14	99057-009	1	Control Box Pedestal
NI	41-932	6*	Spark Plug
NI	PF-47	1*	Oil Filter
NI	Not Illustrated		
*	AC Delco Part #		

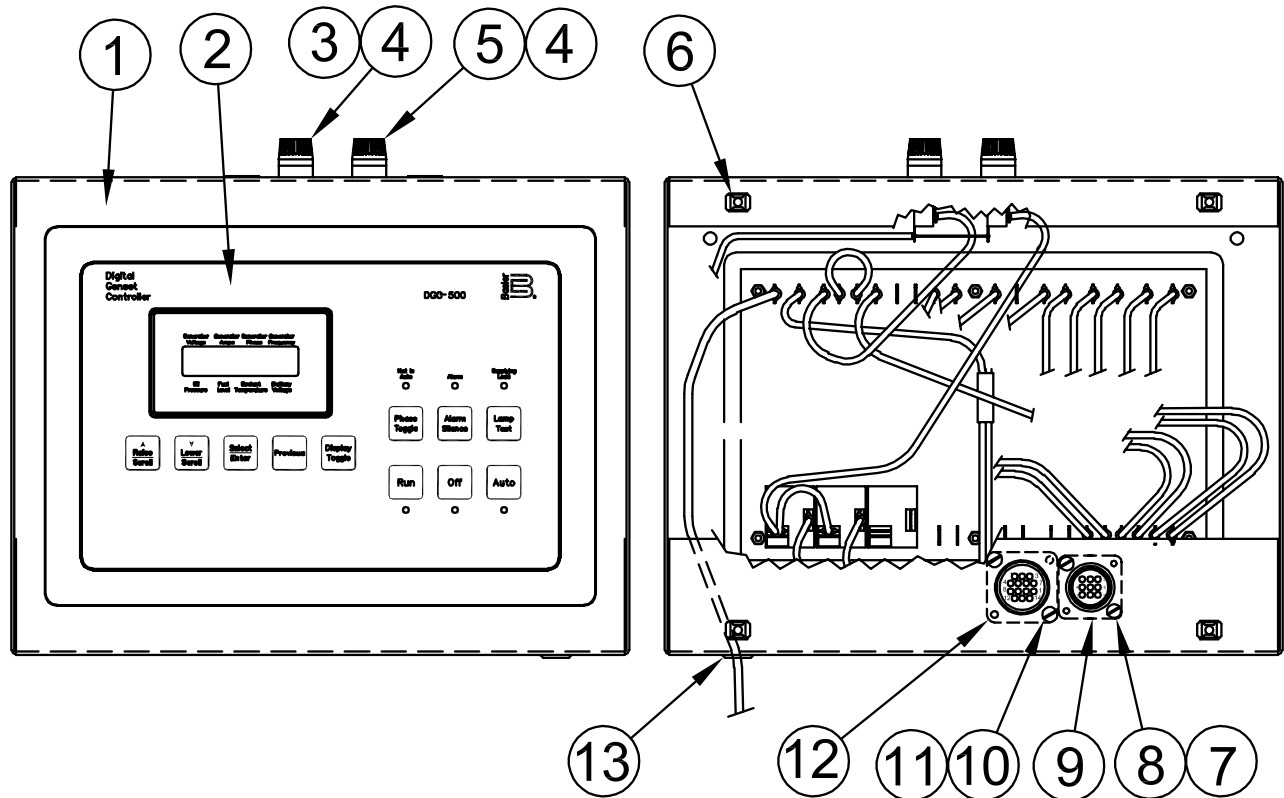
ENGINE TABLE

MODEL #	PART #
PSS40LS-3/BNG PSS40LS-4/BNG PSS40LS-17/BNG PSS40LS-18/BNG	350775-4
PSS40LS-3/BLPG PSS40LS-4/BLPG PSS40LS-17/BLPG PSS40LS-18/BLPG	350775-6
PSS40LS-3/BLP PSS40LS-4/BLP PSS40LS-17/BLP PSS40LS-18/BLP	350775-5

GENERATOR END TABLE

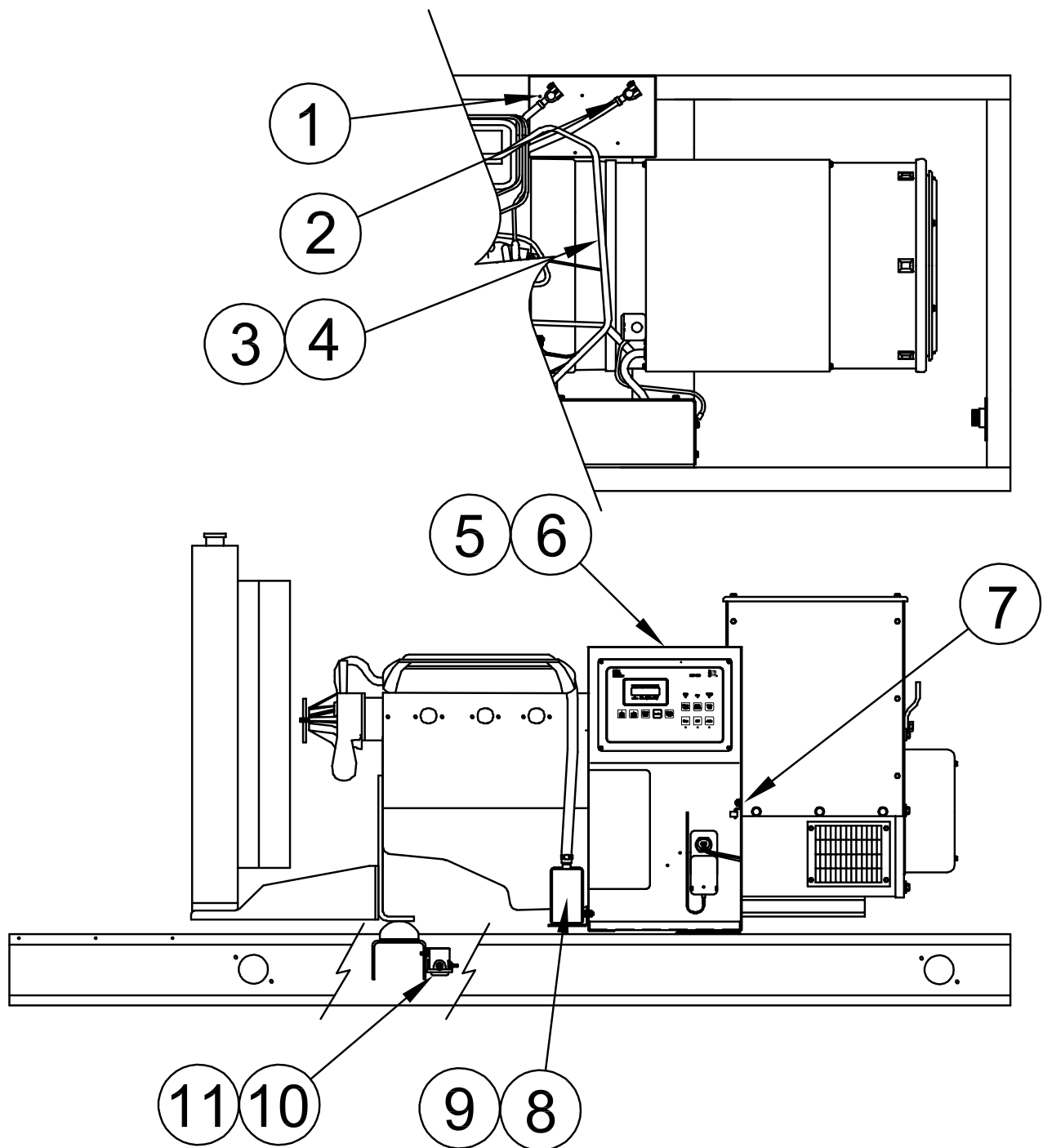
MODEL #	STAMFORD NEWAGE MODEL #	WINCO PART #
PSS40LS-3/BNG PSS40LS-3/BLP PSS40LS-3/BLPG	UCI224C 4-LEAD	350685-11
PSS40LS-4/BNG PSS40LS-4/BLP PSS40LS-4/BLPG PSS40LS-17/BNG PSS40LS-17/BLP PSS40LS-17/BLPG PSS40LS-18/BNG PSS40LS-18/BLP PSS40LS-18/BLPG	UCI224C 12-LEAD	350685-1

ENGINE CONTROL ASSEMBLY



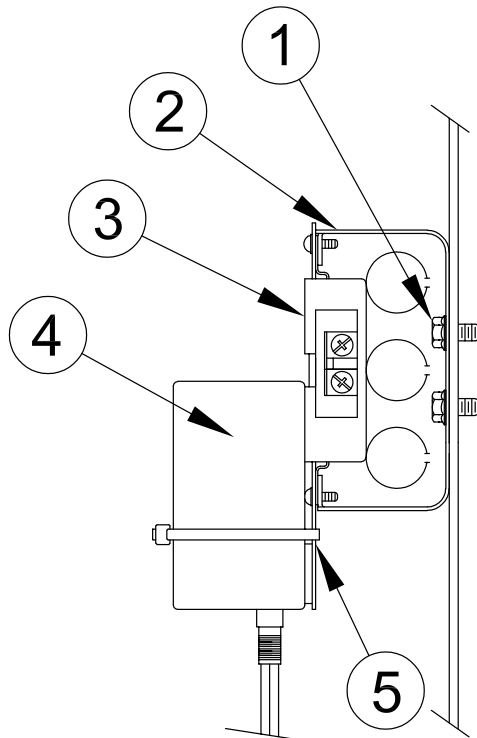
REF #	PART NUMBER	QTY	DESCRIPTION
1	99055-003	1	Control Box Panel
2	351147-2	1	Basler DGC-500 Control
3	95064-006	1	10 Amp Fuse
4	2489-001	2	Fuse Holder
5	95064-003	1	1 Amp Fuse
6	92495-000	4	1/4-20 Retainer Nut
7	97322-000	2	#4-40 X 1/2" Screw
8	97327-000	2	#4-40 Elastic Stop-nut
9	96925-005	1	9 Pin Connector
10	24988-000	2	#6-32 X 1/2" Screw
11	51802-000	2	#6-32 Elastic Stop-nut
12	96925-002	1	14 Pin Connector
13	45853-000	1	Grommet
NI	15983-003	1	1 Amp Fuse Decal
NI	15983-004	1	10 Amp Fuse Decal
NI	Not Illustrated		

ELECTRICAL ASSEMBLY



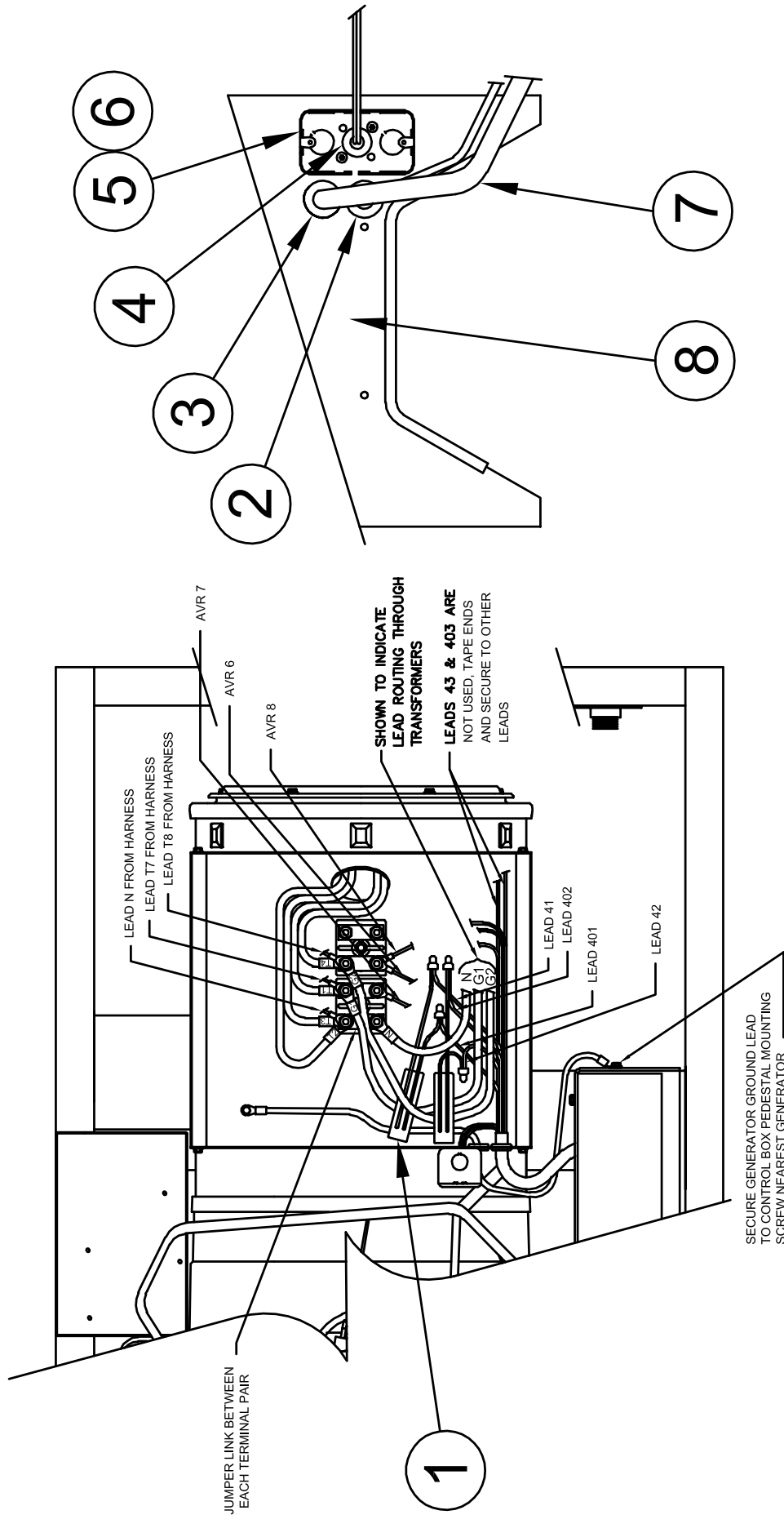
REF #	PART NUMBER	QTY	DESCRIPTION
1	53220-056	1	Positive (+) Battery Cable
2	53220-067	1	Negative (-) Battery Cable
3	99723-003	1	ECM Harness Assembly
4	99724-003	Ref.	ECM Harness Install.
5	99777-000	1	Control Box Assembly
6	99055-004	1	Access Plate
7	48042-000	1	Ground Lug
8	350087-2	1	Tank Heater 1000W 120V
9	93689-001	73"	5/8" Heater Hose
10	80980-000	1	Start Solenoid
11	55440-000	2	Self-tapping Screw

BATTERY TENDER ASSEMBLY



REF #	PART NUMBER	QTY	DESCRIPTION
1	52644-000	2	Self-tapping Screw
2	92789-000	1	Conduit Box
3	24749-000	1	Duplex Receptacle
4	16287-000	1	Battery Tender
5	59026-001	1	Recpt. Cover Plate

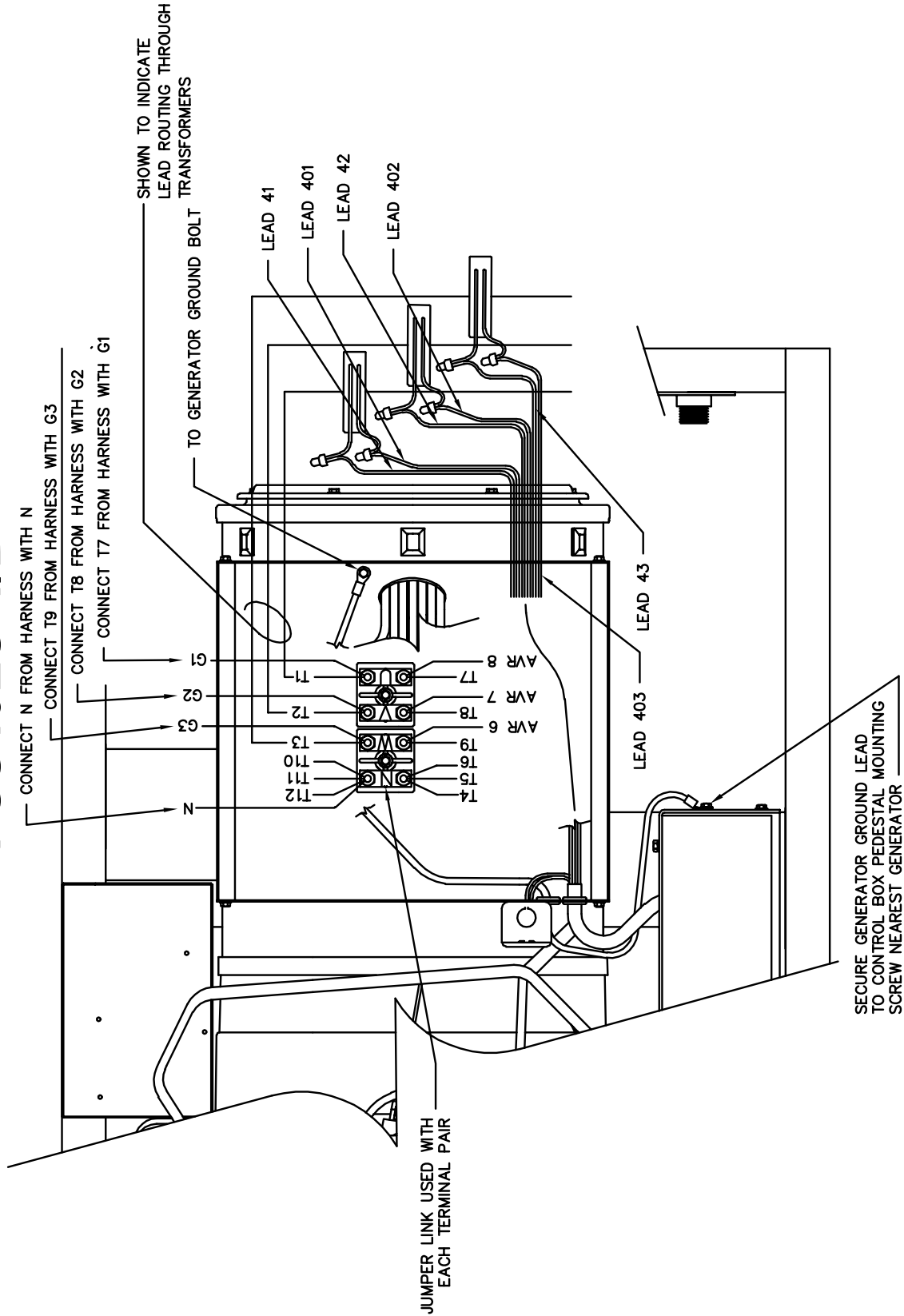
AC WIRING INSTALLATION PSS40LS-3/B



REF #	PART NUMBER	QTY	DESCRIPTION
1	SEE TABLE	2 or 3	Current Transformer
2	23917-000	1	Grommet
3	62486-000	1	Grommet
4	40730-000	1	Grommet
5	92789-000	1	Conduit Box
6	59026-000	1	Conduit Box Cover
7	99347-008	1	AC Harness Assembly
8	99731-005	1	Panel
NI	350818	1	Voltage Regulator SX460
NI	Not Illustrated		

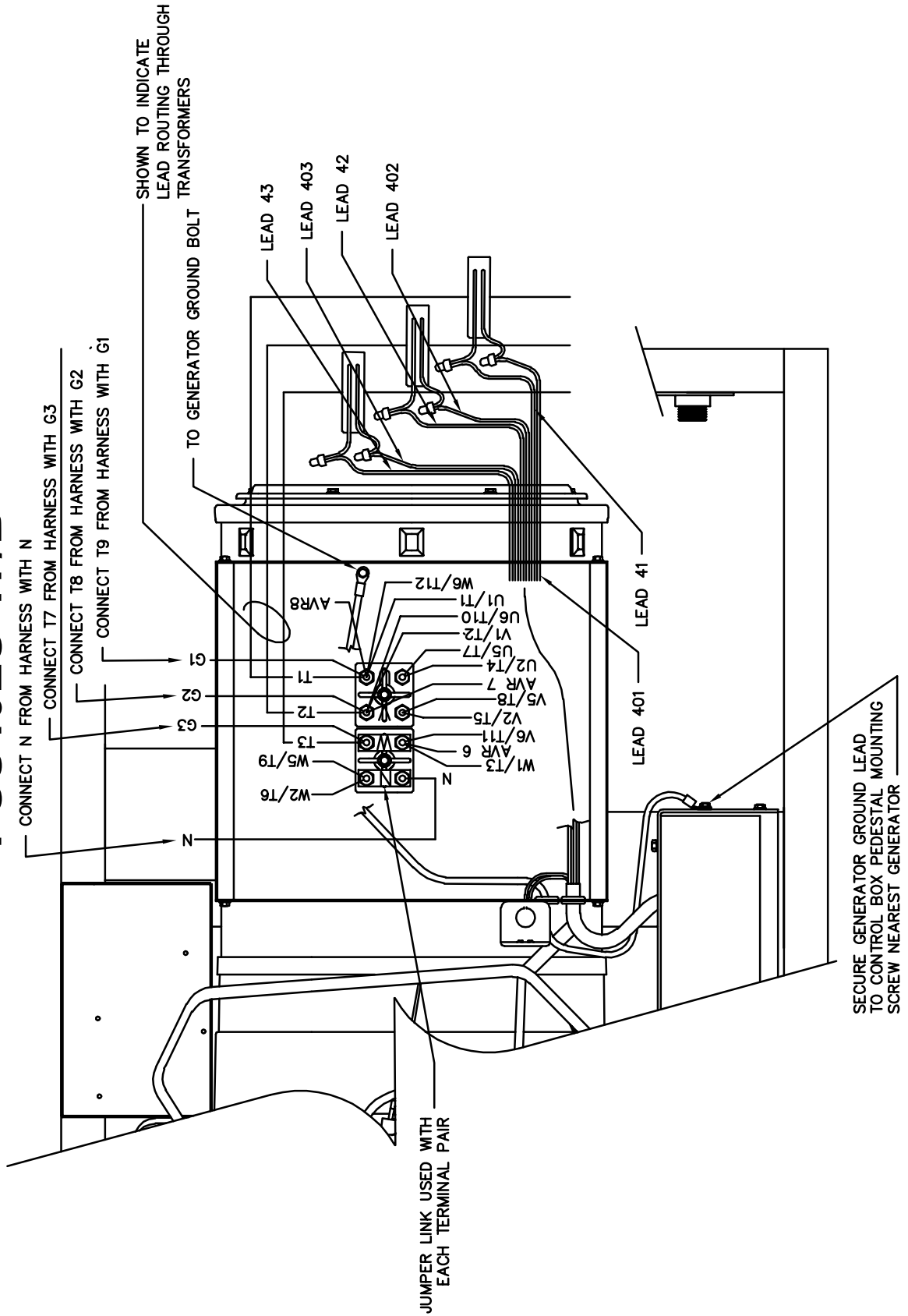
MODEL #	PART #	DESCRIPTION	QUANTITY
PSS40LS-3/B	80124-005	200 to 5 Amp Current Transformer	2
PSS40LS-4/B PSS40LS-17/B	80124-004	150 to 5 Amp Current Transformer	3
PSS40LS-18/B	80124-002	75 to 5 Amp Current Transformer	3

AC WIRING INSTALLATION PSS40LS-4/B

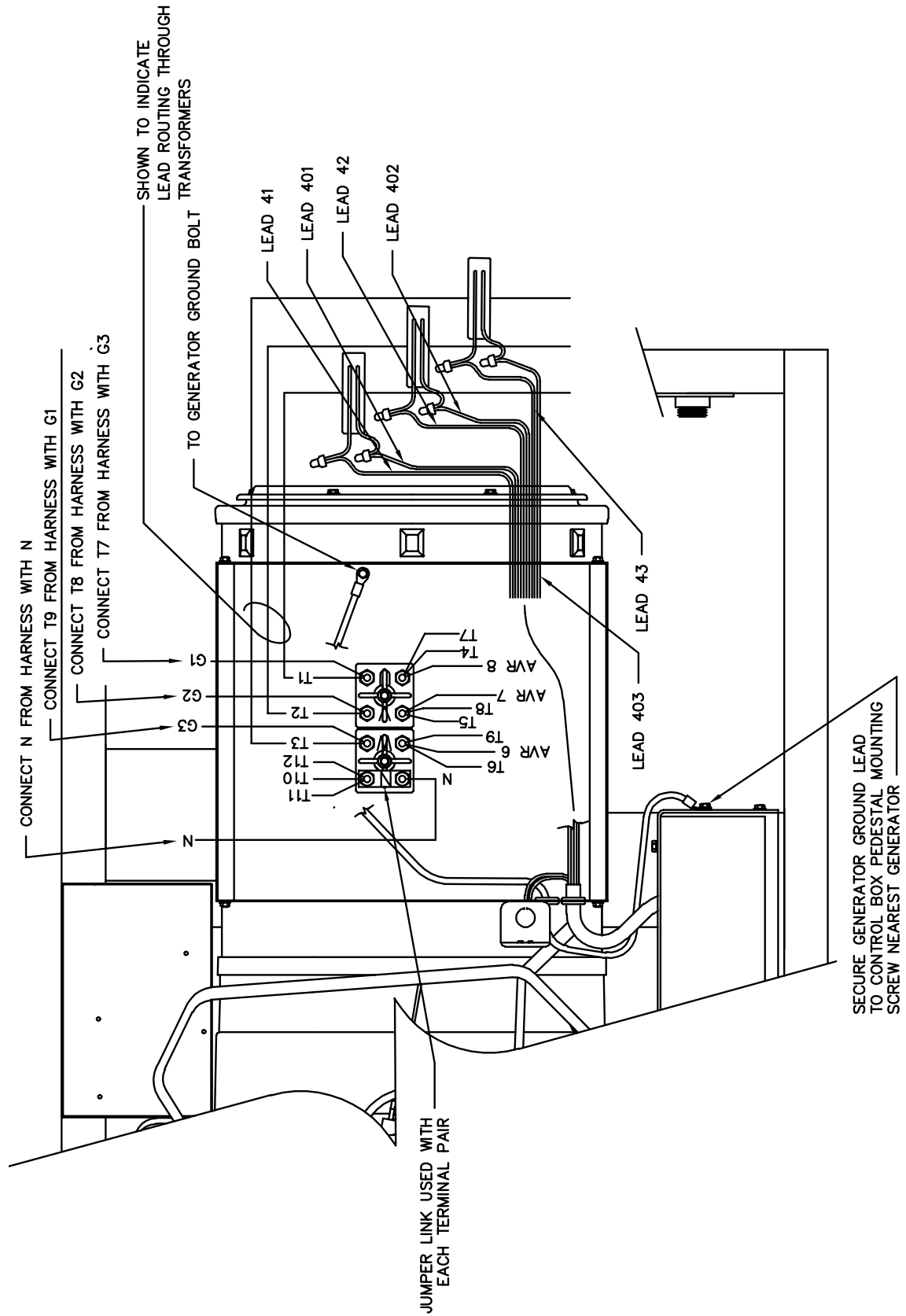


AC WIRING INSTALLATION

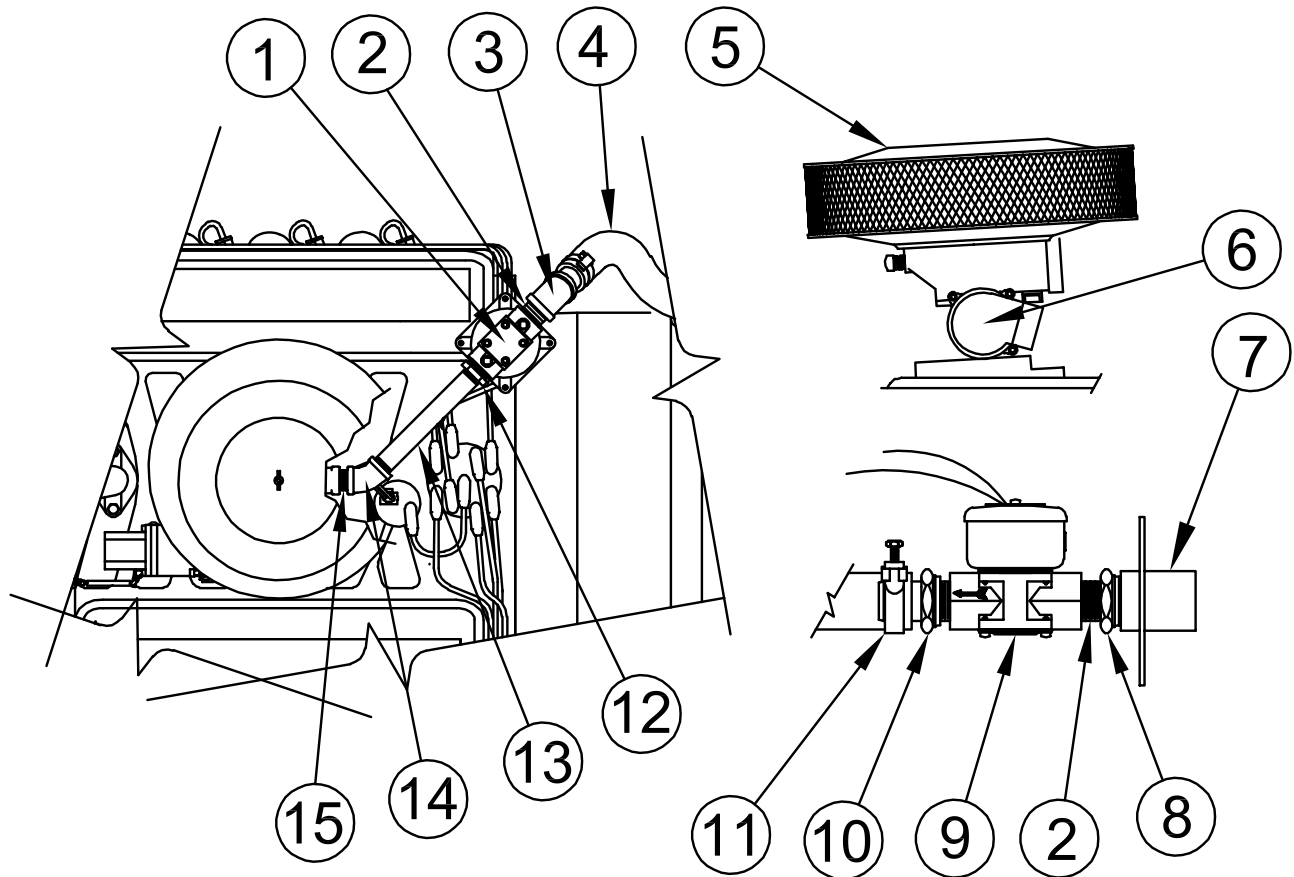
PSS40LS-17/B



AC WIRING INSTALLATION PSS40LS-18/B



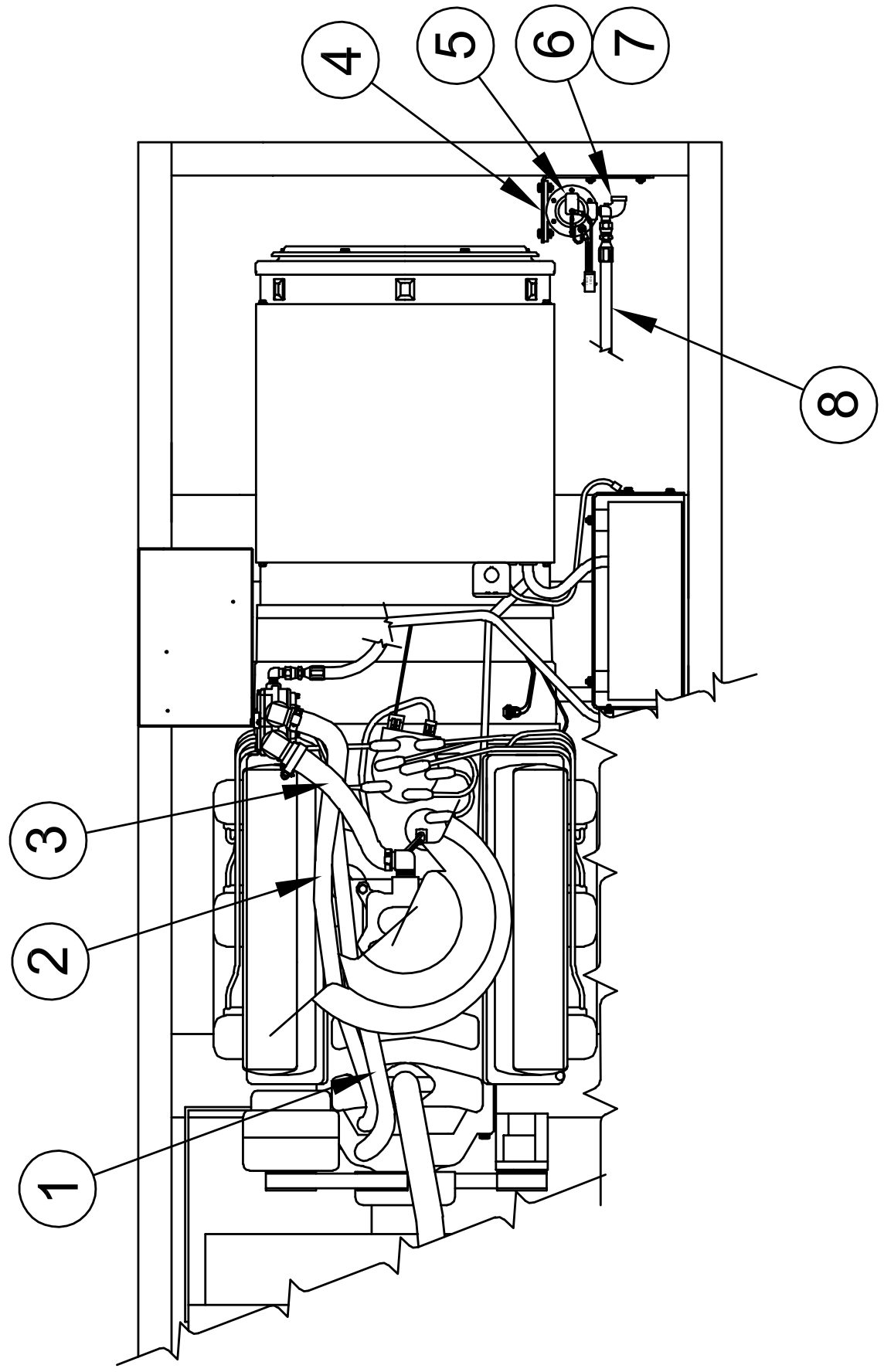
VAPOR FUEL SYSTEM ASSEMBLY



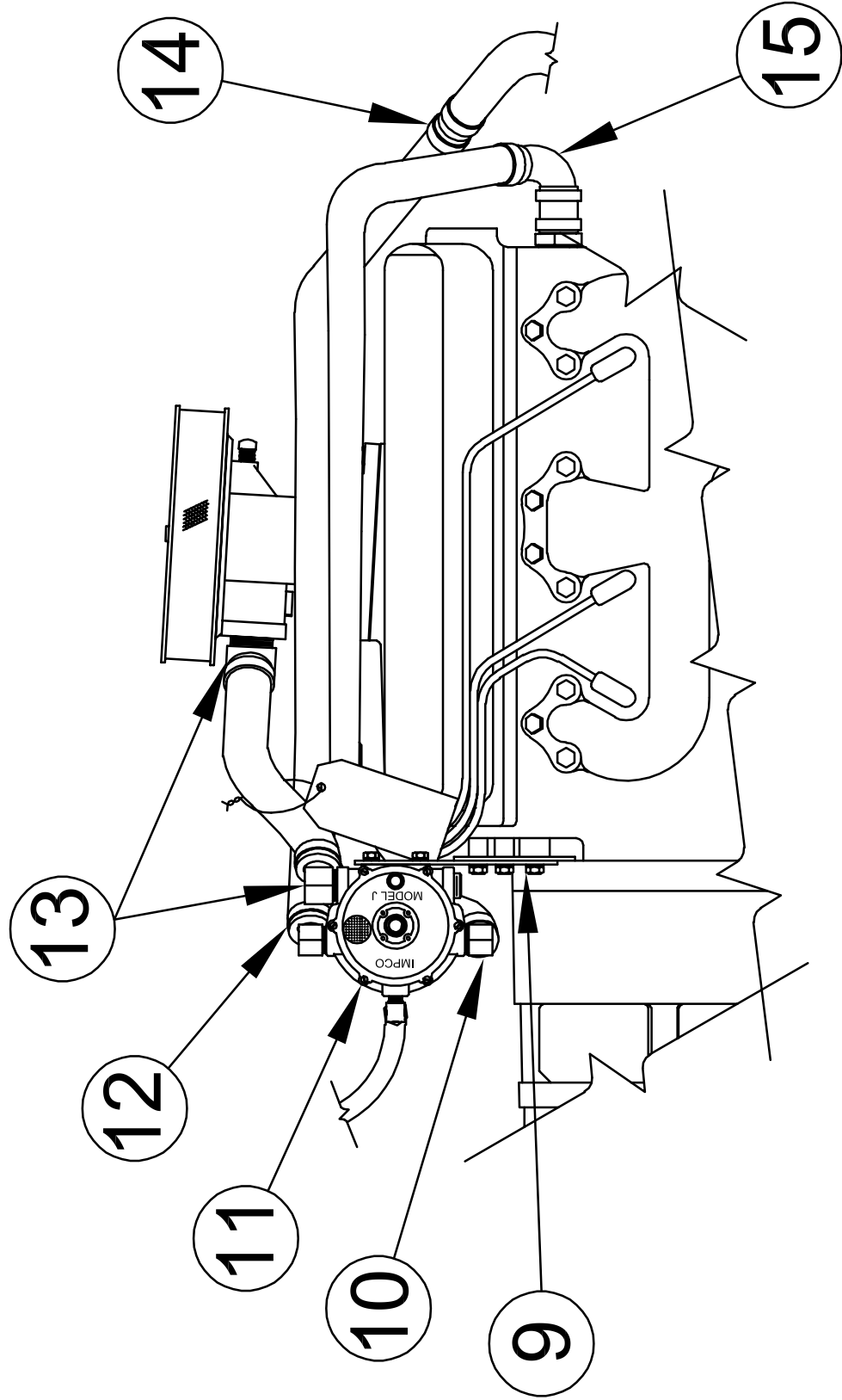
REF #	PART NUMBER	QTY	DESCRIPTION
1	50248-000	1	Regulator
2	22626-000	2	3/4" Pipe Nipple
3	56596-000	1	3/4" 45° Pipe Elbow
4	49409-015	50.5"	Hose
5	F1-8	1*	Air Filter
6	99526-006	1	"L" Series Governor
7	99065-000	1	Fuel Inlet Weldment
8	81077-000	1	1" M X 3/4" F Busing
9	42942-000	1	Solenoid
10	92388-004	2	3/4" X 1" Hose Fitting
11	50245-000	2	Hose Clamp
12	81075-000	1	3/4" X 1/2" Reducer
13	54074-001	1	3/4" X 3 1/2" Pipe Nipple
14	40072-000	1	1/2" 45° Pipe Elbow
15	22768-000	1	1/2" Pipe Nipple

* Impco Part #

LP LIQUID WITHDRAWAL ASSEMBLY



LP LIQUID WITHDRAWAL ASSEMBLY

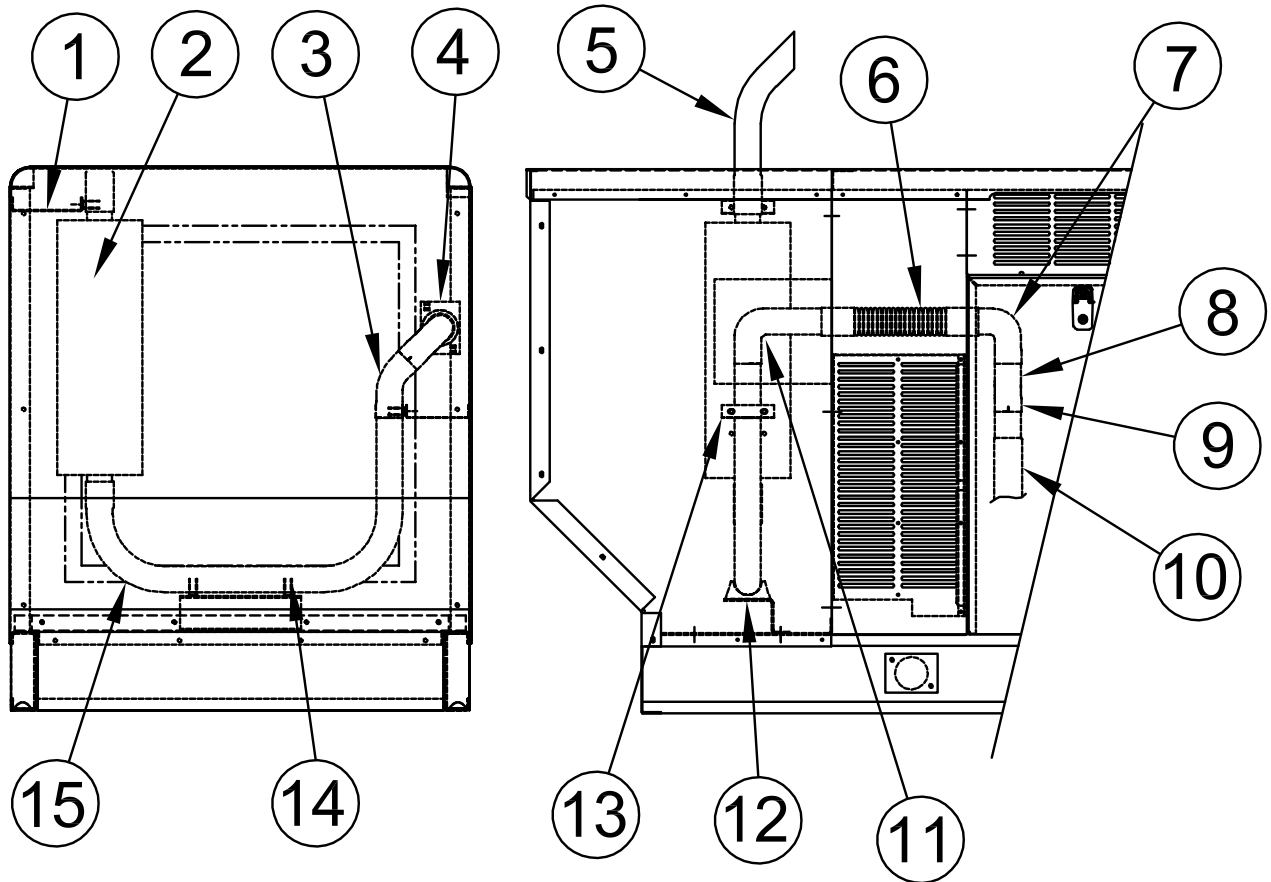


REF #	PART NUMBER	QTY	DESCRIPTION
1	93689-001	23"	5/8" Hose
2	93689-001	23"	5/8" Hose
3	93689-001	11"	5/8" Hose
4	99085-001	1	Fuel Cover Plate
5	99475-000	1	Solenoid
6	92533-000	1	1/4" 90° Elbow
7	81375-003	1	1/4" X 1 1/2" Pipe Nipple
8	92940-007	1	Hose Assembly
9	350217	1	Converter Mounting Bracket
10	92382-000	2	3/8" X 5/8" 90° Elbow
11	81636-000	1	Converter-Regulator
12	81018-005	8	Hose Clamp
13	92382-001	2	1/2" X 5/8" 90° Elbow
14	62274-001	1	5/8" Hose Coupler
15	62274-002	1	5/8" 90° Hose Coupler

DECALS

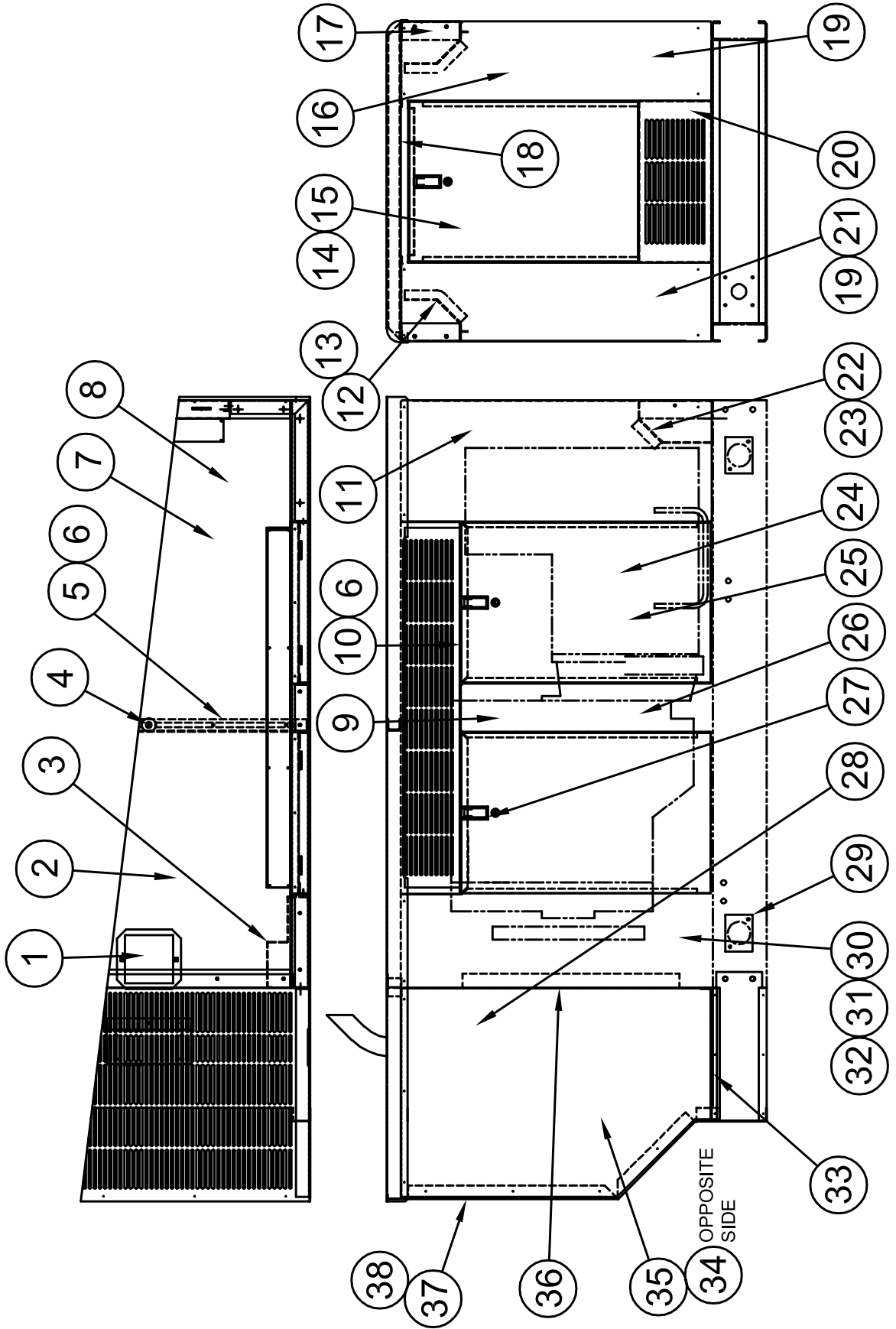
REF #	PART NUMBER	QTY	DESCRIPTION
NI	15750-001	1	Ground Decal
NI	97813-000	3	Auto Start Warning
NI	15209-000	1	Warning Decal
NI	56596-000	1	Fuel Decal
NI	56597-000	1	Fuel Decal
NI	63941-001	1	Hot Surface Decal
NI	64891-001	1	Electrical Code Decal
NI	63941-003	1	Battery Warning Decal
NI	Not Illustrated		

EXHAUST ASSEMBLY



REF #	PART NUMBER	QTY	DESCRIPTION
1	99291-001	1	Exhaust Support
2	80519-001	1	Muffler
3	97761-004	1	45° Elbow 2"
4	99060-002	1	Exhaust Cover Plate
5	99299-000	1	Tail Pipe
6	64743-001	1	Flex Exhaust
7	97761-003	1	90° Elbow 2"
8	97761-005	1	60° Elbow 2"
9	97274-000	11 FT	High Temperature Tape
10	94259-001	4 FT	Safety Wire
11	97761-002	1	90° Elbow 2"
12	99234-000	1	Exhaust Support
13	99291-002	1	Exhaust Support
14	93489-003	10	Muffler Clamp
15	99298-002	1	Exhaust Pipe

HOUSING ASSEMBLY



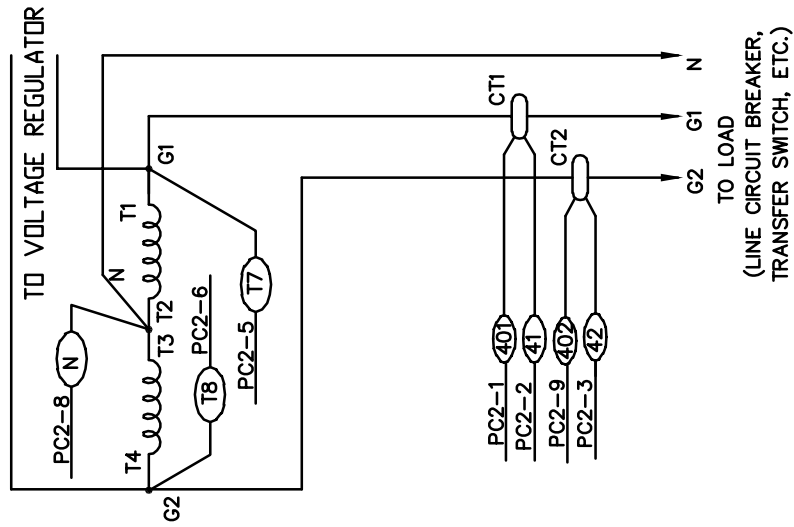
REF #	PART NUMBER	QTY	DESCRIPTION
1	62026-003	1	Cover Plate
2	99393-416	1	Foam Piece
3	99732-402	1	Reflective Foam Piece
4	62825-011	1	Spacer
5	99225-001	1	Roof Support
6	62912-000	39 FT	Foam Strip
7	99393-421	1	Foam Piece
8	99086-008	1	Roof
9	99066-000	2	Mullion
10	99224-000	4	Door Jam
11	99393-410	2	Foam Piece
12	99103-003	2	Backing Plate
13	99393-417	2	Foam Piece
14	15680-013	1	Rear Door
15	99393-413	1	Door Foam
16	99067-003	1	Right Rear Corner Post
17	99393-408	2	Foam Piece
18	99391-000	1	Roof End
19	99393-410	2	Foam Piece
20	99100-001	1	Rear Sill
21	99067-002	1	Left Rear Corner Post
22	99725-000	1	Sill Backing Plate
23	99393-414	1	Foam Piece
24	15680-009	4	Side Door
25	99393-412	4	Door Foam
26	99393-401	2	Foam Piece
27	95229-004	5	Door Latch
28	99732-403	1	Reflective Foam
29	99060-000	4	Base Cover Plate
30	99071-007	1	Housing Front
31	99732-401	1	Reflective Foam
32	99393-415	1	Foam Piece
33	99223-001	1	Air Chamber Floor
34	99392-003	1	Extension Panel
35	99392-002	1	Extension Panel
36	92421-001	8.67 FT	Foam Strip $\frac{3}{4}$ "
37	99083-001	1	Front Panel
38	99393-406	1	Foam Piece

PSS40LS-3/B

HIGH VOLTAGE SINGLE PHASE

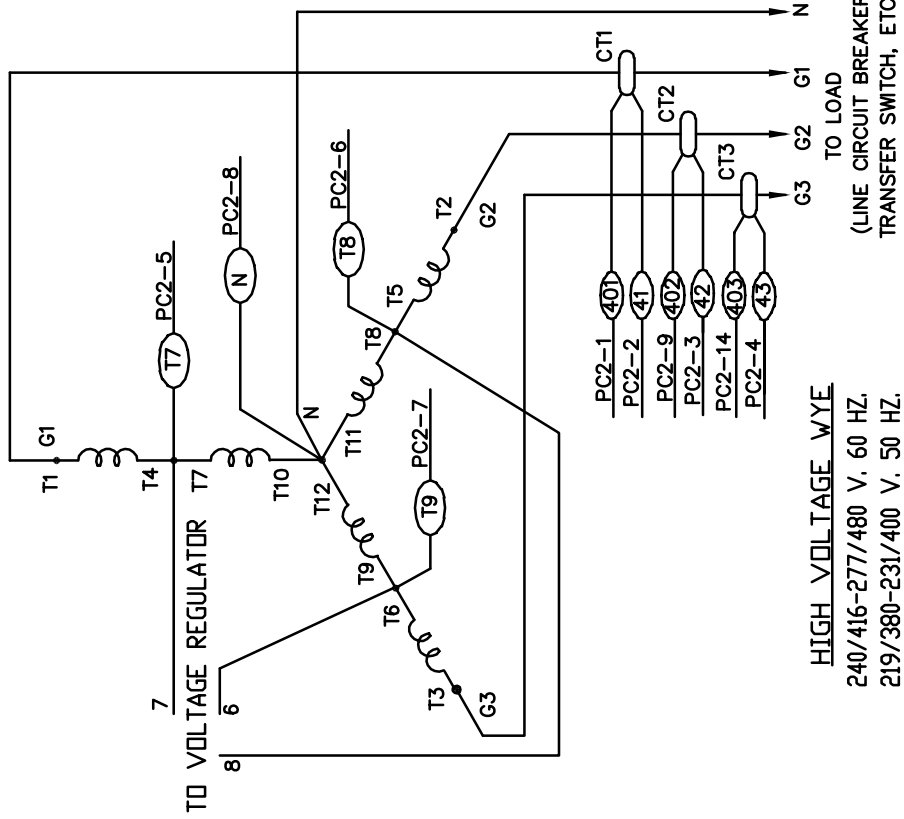
120/208-139/240 V. 60 HZ.

100/173- 115/200 V. 50 HZ.



PSS40LS-18/B

AC WIRING SCHEMATICS

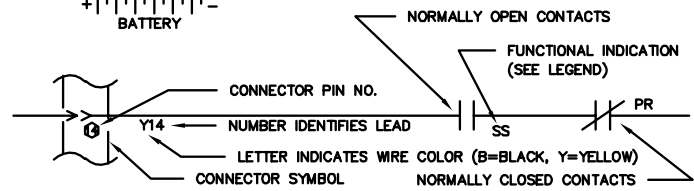
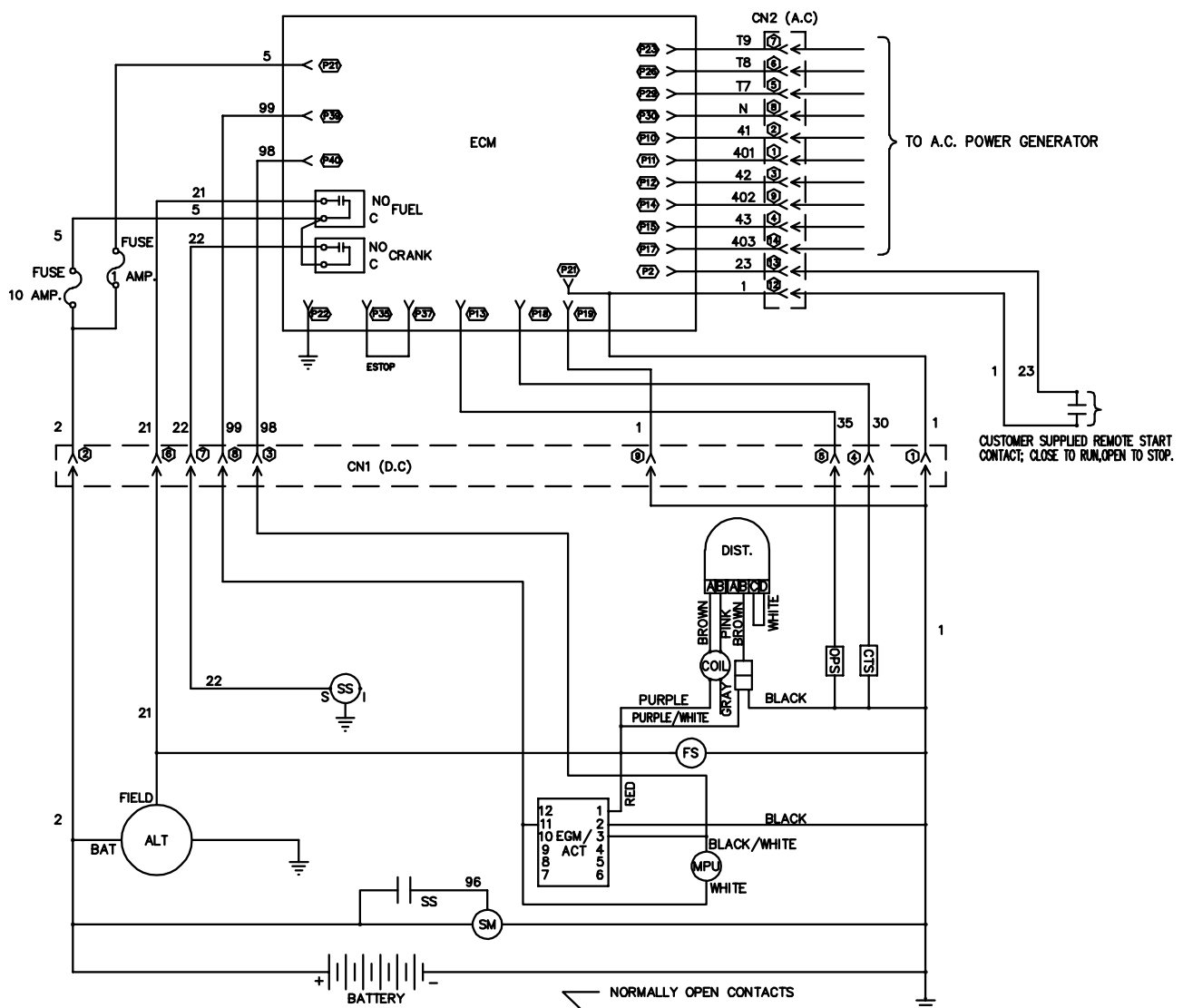


HIGH VOLTAGE WYE

240/416-277/480 V. 60 HZ.

219/380-231/400 V. 50 HZ.

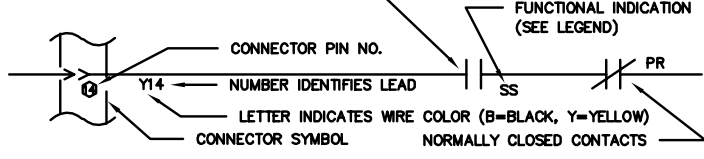
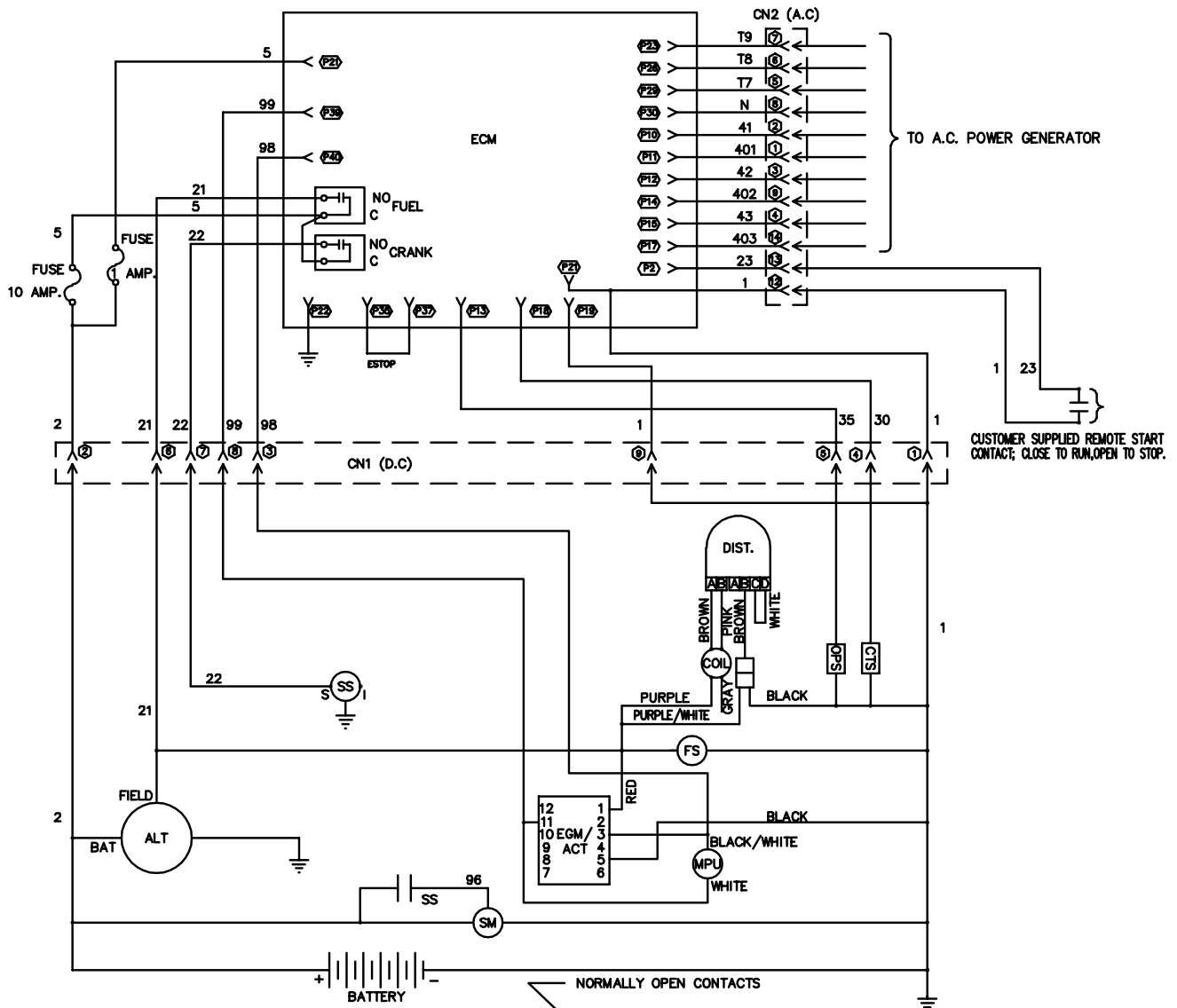
"LCS" SERIES GOVERNOR (ORIGINAL DESIGN)



- LEGEND**
- ALT ALTERNATOR
 - CN1,CN2 WIRING HARNESS CONNECTORS
 - CTS COOLANT TEMPERATURE SENDER
 - DIST. ENGINE IGNITION DISTRIBUTOR
 - ECM ENGINE CONTROL MODULE
 - EGM/ACT ELECTRONIC GOVERNOR MODULE / ACTUATOR
 - FS FUEL SOLENOID
 - GND GROUND (CHASSIS OR FRAME)
 - MPU MAGNETIC PICKUP UNIT
 - OPS OIL PRESSURE SENDER
 - SS ENGINE STARTER MOTOR SOLENOID
 - SM ENGINE STARTER MOTOR

DC WIRING SCHEMATIC

“L” SERIES GOVERNOR (WITH NEW GOVERNOR REPLACEMENT)



- LEGEND**
- ALT ALTERNATOR
 - CN1,CN2 WIRING HARNESS CONNECTORS
 - CTS COOLANT TEMPERATURE SENDER
 - DIST. ENGINE IGNITION DISTRIBUTOR
 - ECM ENGINE CONTROL MODULE
 - EGM/ACT ELECTRONIC GOVERNOR MODULE / ACTUATOR
 - FS FUEL SOLENOID
 - GND GROUND (CHASSIS OR FRAME)
 - MPU MAGNETIC PICKUP UNIT
 - OPS OIL PRESSURE SENDER
 - SS ENGINE STARTER MOTOR SOLENOID
 - SM ENGINE STARTER MOTOR

DC WIRING SCHEMATIC