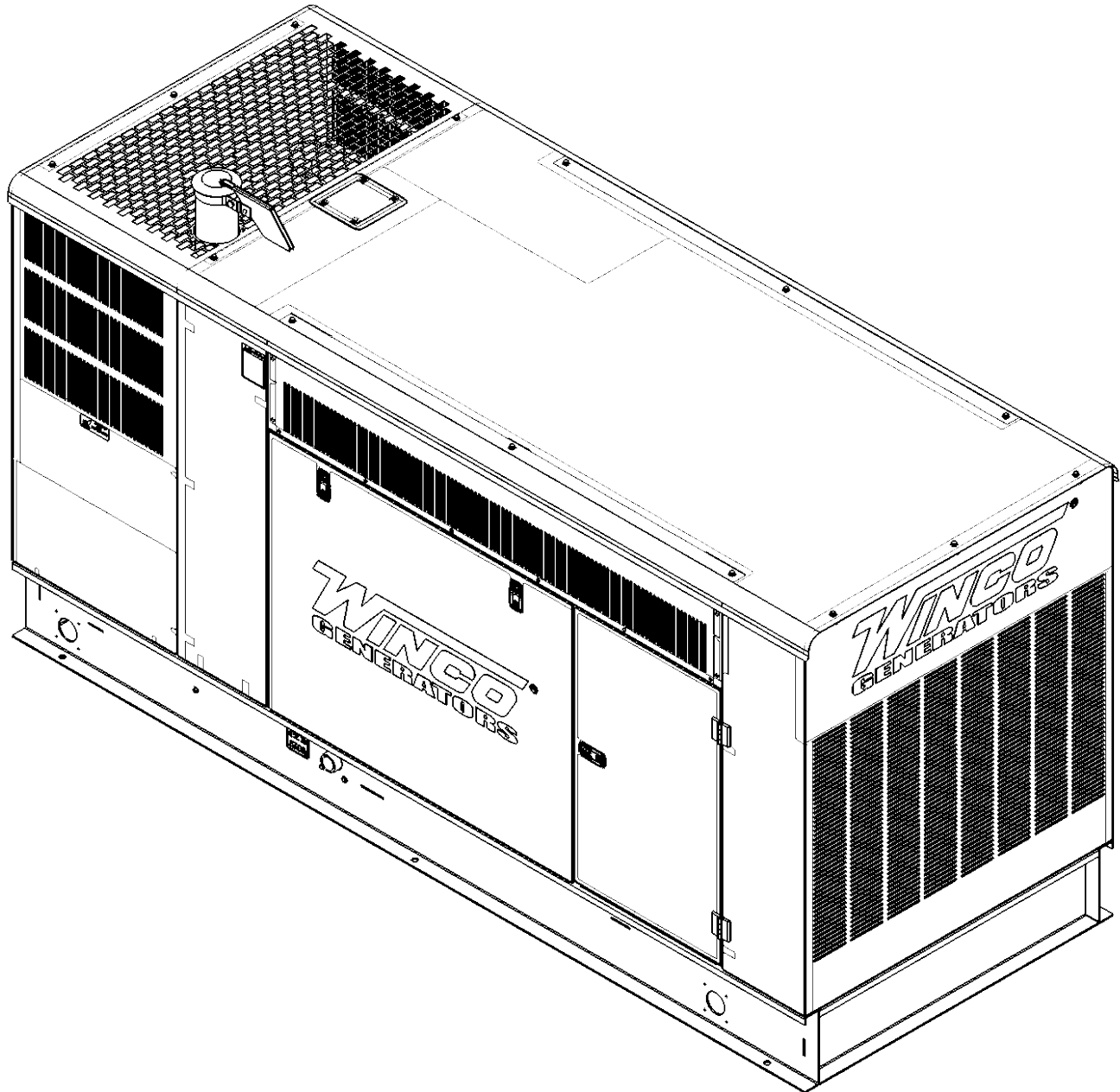


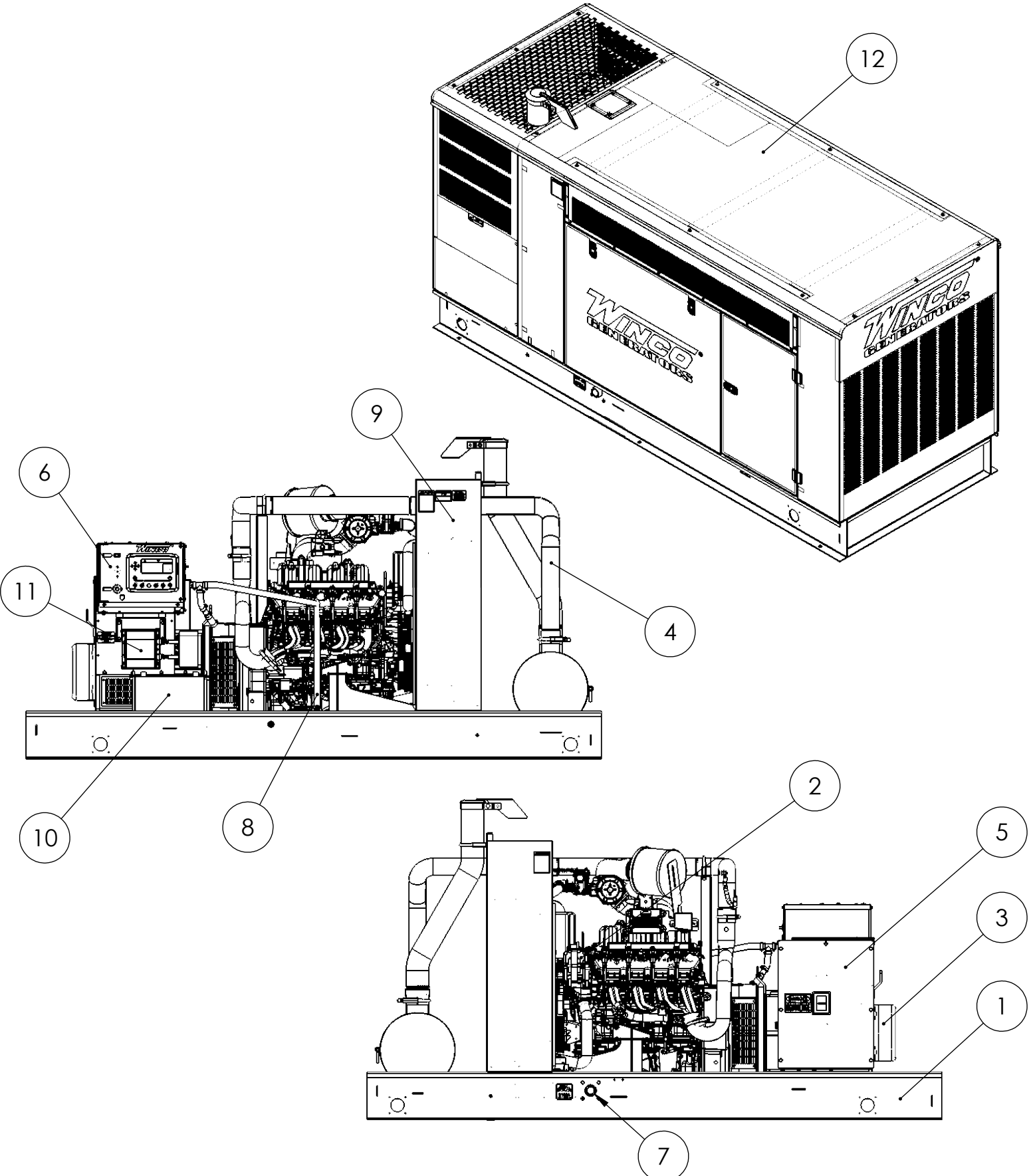
WINCO[®]

PSS65F4-XX/1 Parts List



WINCO Service
Phone: 507-357-6831
Email: service@wincogen.com
www.wincogen.com

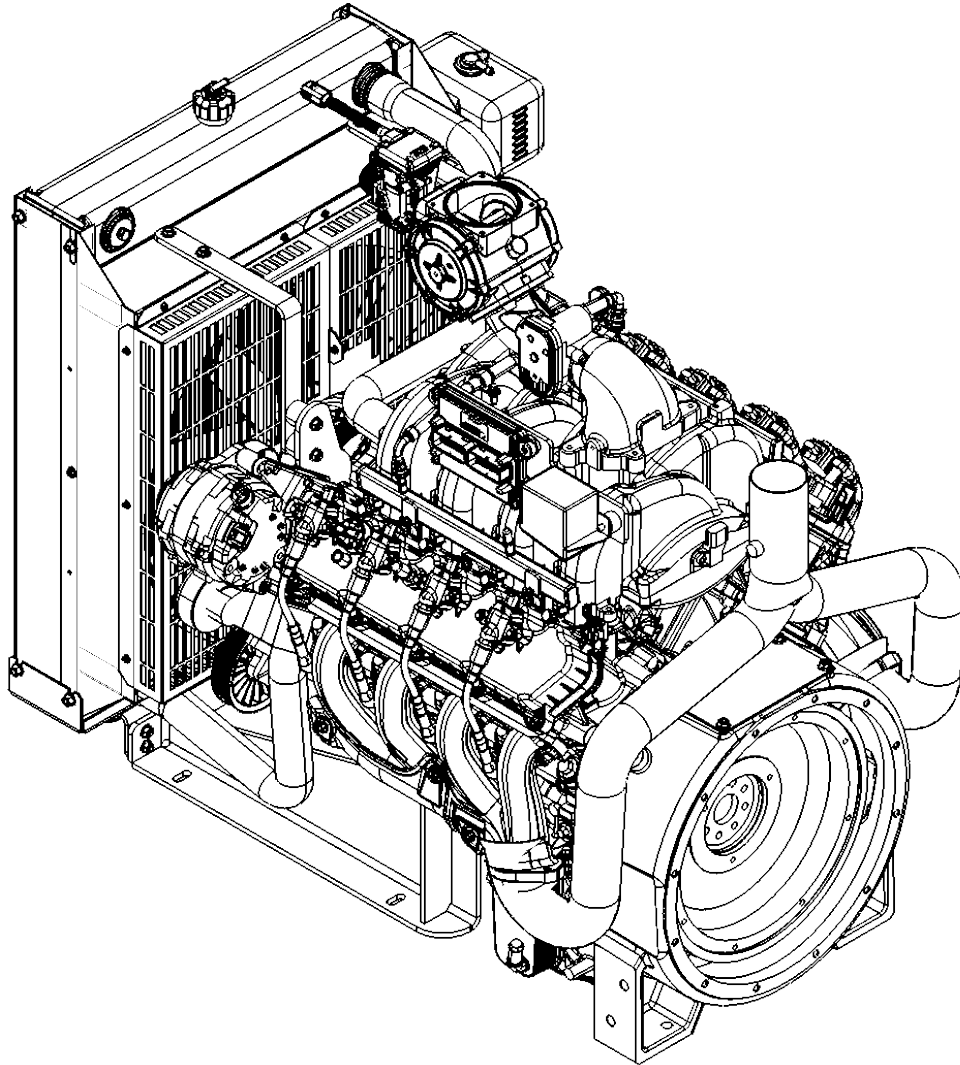
General Assembly



General Assembly continued

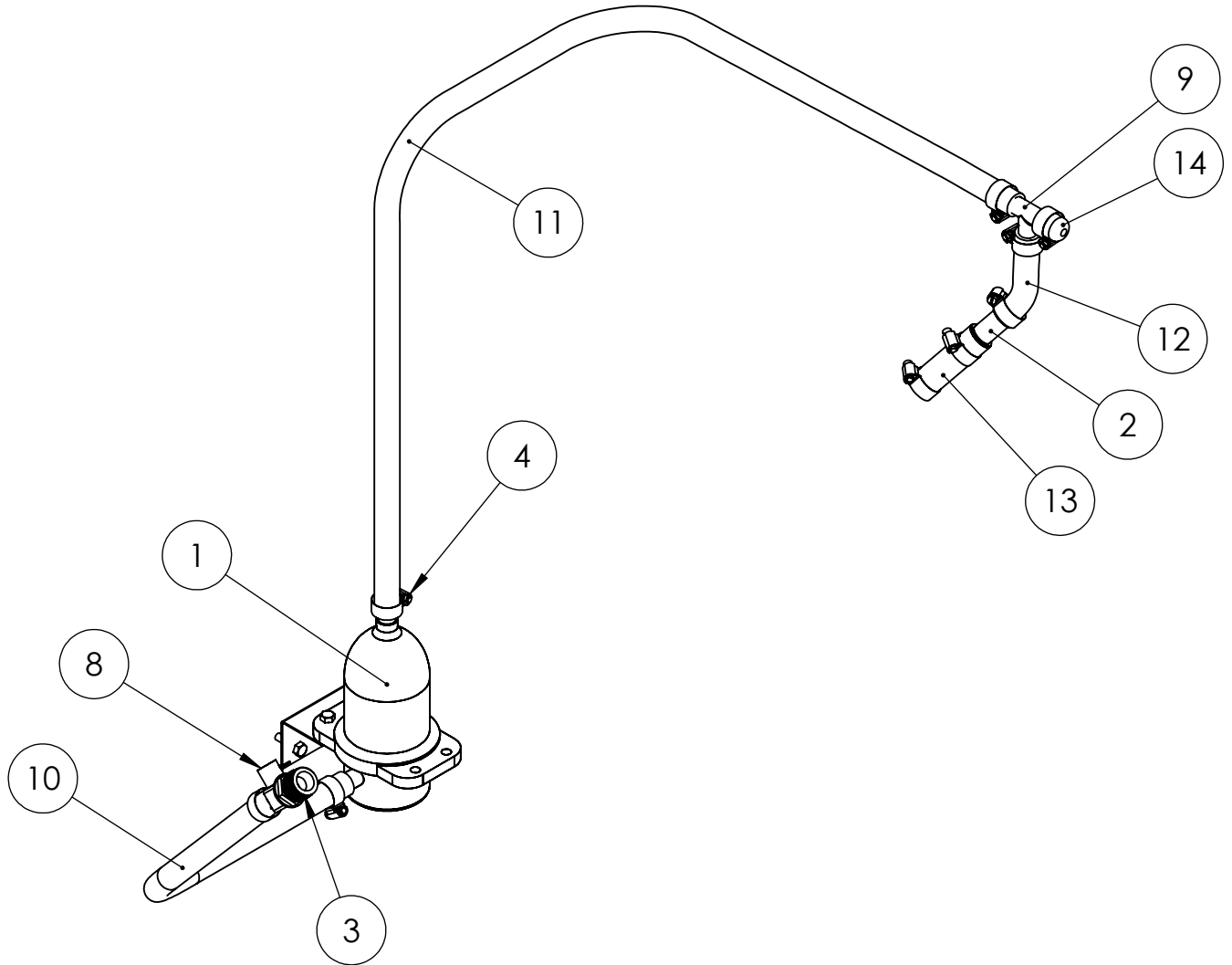
ITEM NO.	PART NUMBER	DESCRIPTION	QTY.
1	350002-40S	ENGINE, FORD, 7.3L STANDBY	1
2	351930-41	GEN END UCI224F SAE #3 11.5 06 WDG 4-LEAD UL1004	1
3	2000-0414	PSS60 FRAME WELDMENT	1
4	1000-0664	PSS60 CONTROLLER ASSEMBLY	1
5	1000-0672	BATTERY TRAY KIT	1
6	1000-0685	PSS60 HOUSING ASSEMBLY	1
7	1000-0691	PSS60 EXHAUST SYSTEM, STANDBY	1
8	2000-0540	HARDWARE KIT	1
9	2000-0542	BLOCK HEATER KIT	1
10	2000-0543	PSS65 FUEL SYSTEM	1
11	99836-175	PSS60 CB & RECONNECT BOX ASSEMBLY	1
12	352020-24	BATTERY CHARGER KIT 12V 5 AMP	1
13	99420-033	ENGINE HARNESS PSS60 FORD	1

Engine



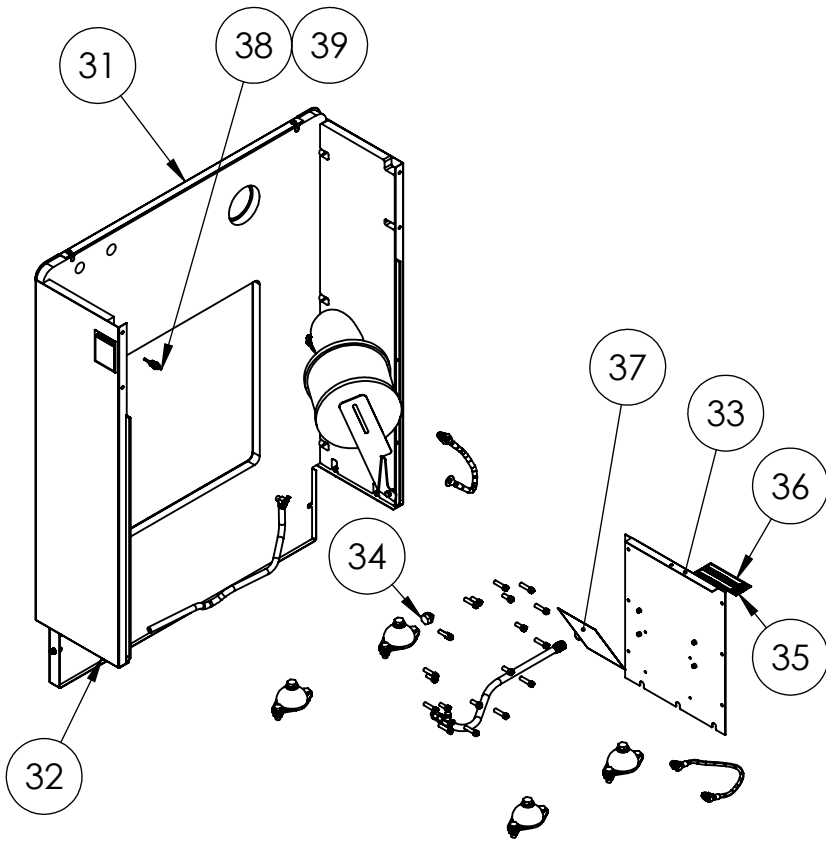
WATER COOLED ENGINE (VAPOUR) 350002-40S			
ITEM NO.	PART NUMBER	DESCRIPTION	QTY.
1	4-112	AIR FILTER	1
2	13-132	OIL FILTER	1
3	13-168	SPARK PLUG	8
4	13-136	STARTER MOTOR	1
5	13-166	ALTERNATOR	1
6	13-170	FAN BELT	1
7	13-172	UPPER RADIATOR HOSE	1
8	13-171	LOWER RADIATOR HOSE	1
Contact Winco service for full engine parts support.			

Block Heater

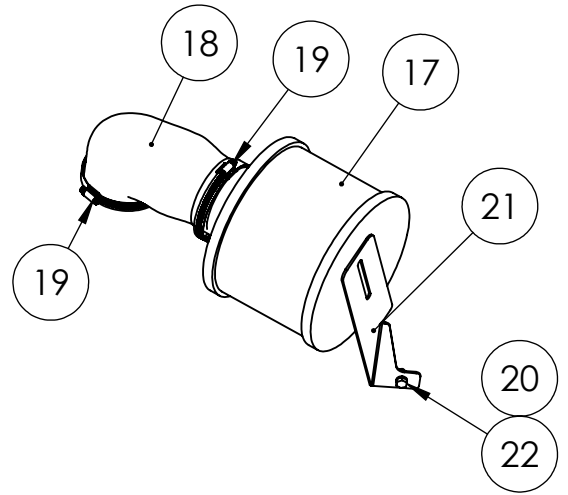


ITEM NO.	PART NUMBER	DESCRIPTION	QTY.
1	80781-018	BLOCK HEATER WITH THERMOSTAT ASSY	1
2	98590-004	HEATER HOSE CONNECTOR	1
3	81075-000	HEX REDU.BUSH. 3/4X1/2	1
4	81018-005	HOSE CLAMP 1.0625-.500	9
5	62625-004	30" HEAT SLEEVE	1
6	62625-004	24" HEAT SLEEVE	1
7	49975-014	STAINLESS STEEL CABLE TIE 8"	6
8	98906-004	OIL DRAIN VALVE .5-14 NPTX.625T-202N	1
9	97484-009	HOSE FIT. TEE .625IN STEEL	1
10	56107-000	HOSE 0.625ID HTR RED 25IN LONG	1
11	56107-000	HOSE 0.625ID HTR RED 50IN LONG	1
12	56107-000	HOSE 0.625ID HTR RED 4IN LONG	1
13	56108-000	HOSE 0.75ID HTR RED 3IN LONG	1
14	94388-006	NAPA 6601696 BYPASS CAP	1

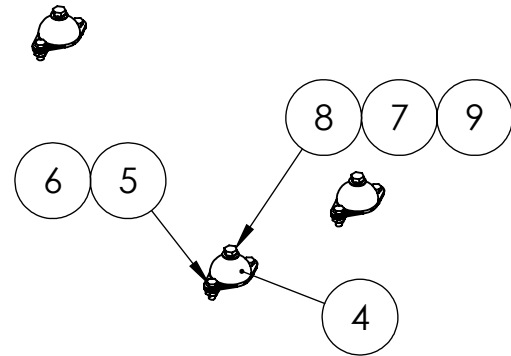
Hardware Kit



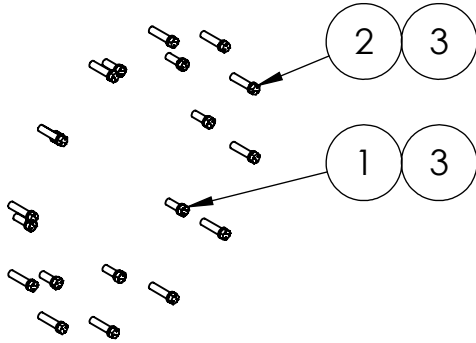
AIR FILTER ASSEMBLY



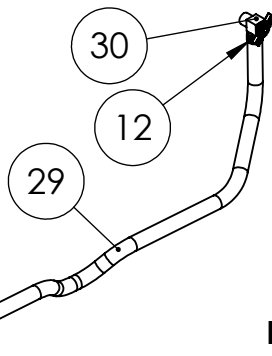
SHOCKMOUNTS & HARDWARE



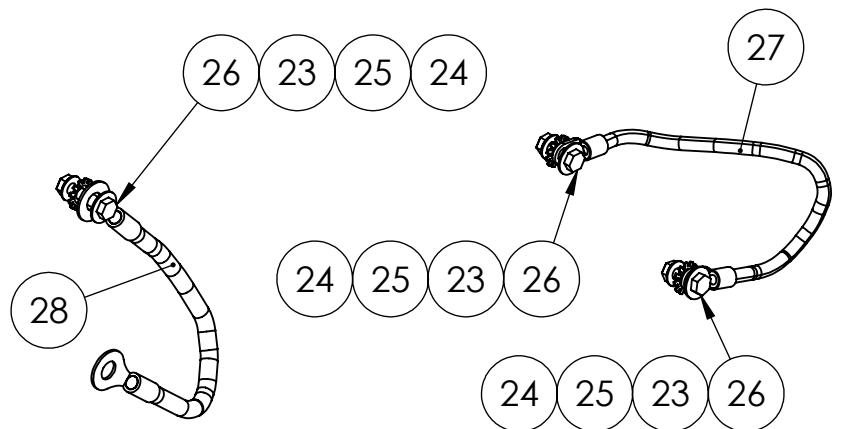
ENGINE COUPLING HARDWARE



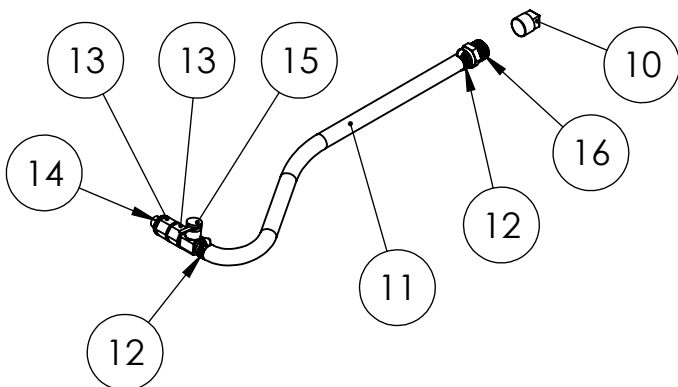
RADIATOR DRAIN



LEAD WIRE ASSEMBLY



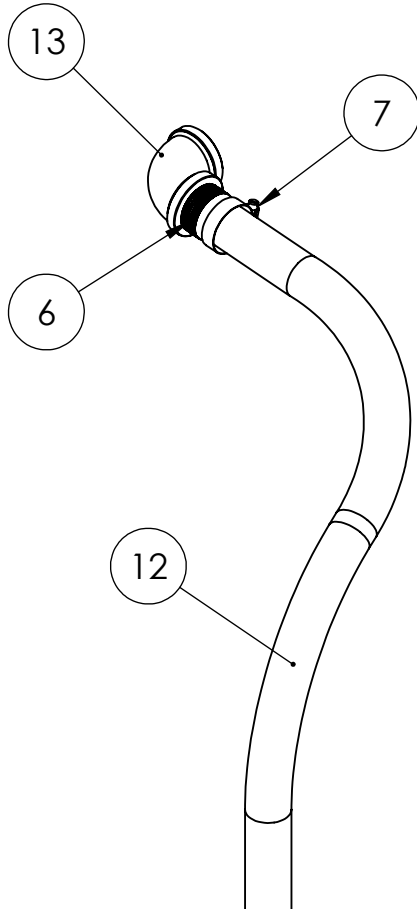
OIL PAN DRAIN



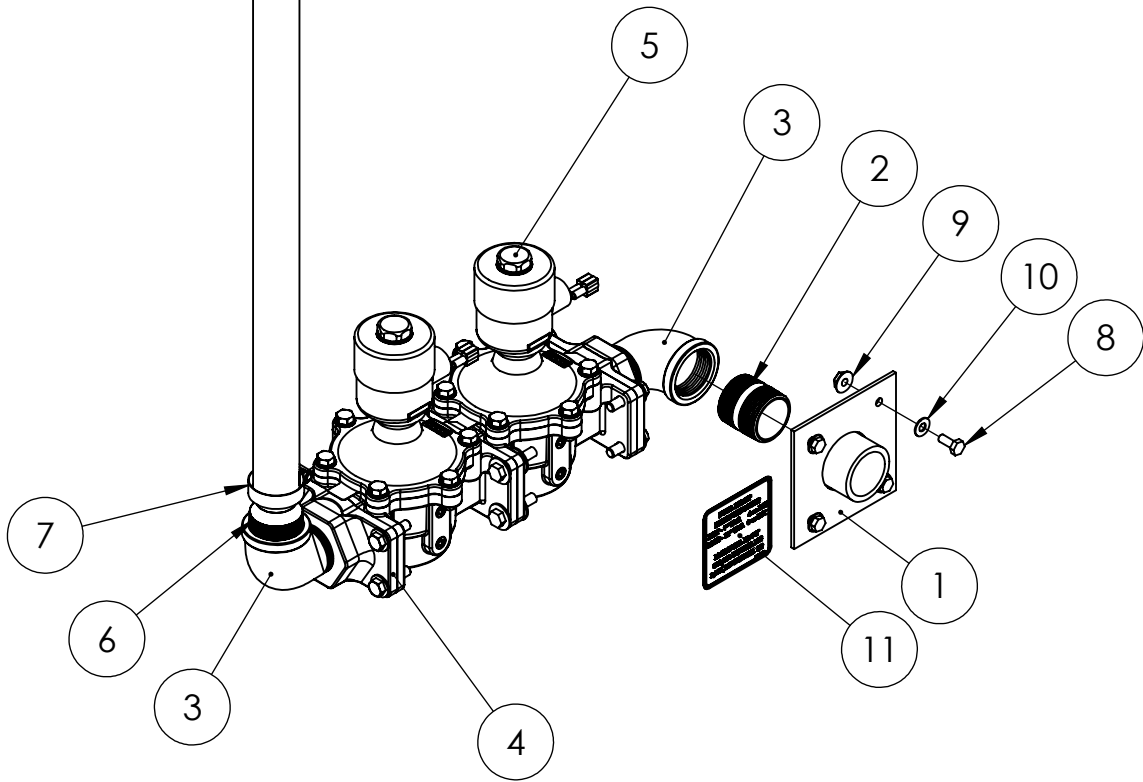
Hardware Kit

ITEM NO.	PART NUMBER	DESCRIPTION	QTY.
1	91658-001	HHCS 3/8-16X1	8
2	96000-004	HEX HEAD BOLT 3/8-16 X 1.5	12
3	481-001	LOCKWASHER 3/8 SPLIT BLACK	20
4	98956-001	SHOCKMOUNT 40 DURO (GREEN DOT)	4
5	1516-000	.5-13X1.25 HHB	8
6	16248-001	.5-13 FLANGE NUT	8
7	636-000	LOCKWASHER 1/2 SPLIT	4
8	57580-000	HHCS 1/2-13 X 1.5 GR5	4
9	21867-000	FLAT WASHER	4
10	93084-000	PIPE PLUG .50 GALV	1
11	55505-011	HOSE .375 RUBBER 20IN	1
12	81018-009	HOSE CLAMP .625-.250	3
13	99778-000	ADAPTER FITTING M12-1.75(M) X M12-1.75(F)	2
14	96187-001	OIL DRAIN GASKET M14 ID	1
15	98906-009	OIL DRAIN VALVE M12-1.75 X 3/8 F-107N	1
16	94319-008	HOSE FIT. .500-14NPT X .375 HOSE BARB	1
17	97294-009	AIR FILTER ASSEMBLY	1
18	352104-33	4"IN ID COBRA HEAD ELBOW, 90°	1
19	81018-010	HOSE CLAMP 3.5625" TO 4.5"	2
20	93341-008	LOCKWASHER M8	1
21	2000-0541	AIR FILTER STABILIZER	1
22	96002-020	M8-1.25X20MM	1
23	526-000	FLAT WASHER 5/16_3/8	3
24	16249-000	.3125-18 FLANGE	3
25	20039-000	LOCKWASHER 1/2 EXTERNAL TOOTH	3
26	465-000	.3125-18X.875 HHB	3
27	93542-018	LEAD WIRE ASSY	1
28	93542-017	LEAD WIRE ASSY	1
29	55505-003	3/8" ID HOSE 24"	1
30	93824-003	PETCOCK VALVE 1/4 NPT 90 HOSE BARB	1
31	2000-0418	PSS60 RAD. HOUSING ASSEMBLY	1
32	352125-1	1/4-20 RIVET NUT 22 GA-10GA	4
33	2000-0544	F-SERIES GEN SIDE PANEL ASSEMBLY	1
34	15012-002	FLYWHEEL PLUG, IVECO	1
35	15209-100	UL-DECAL ELECTRICAL SHOCK CAN KILL (FRENCH)	1
36	15209-000	UL-DECAL ELECTRICAL SHOCK CAN KILL	1
37	63966-005	KIT, NAMEPLATE WINCO	1
38	96333-002	LOW COOLANT PROBE	1
39	80951-000	HEX REDU.BUSH. 1/4X1/8	1

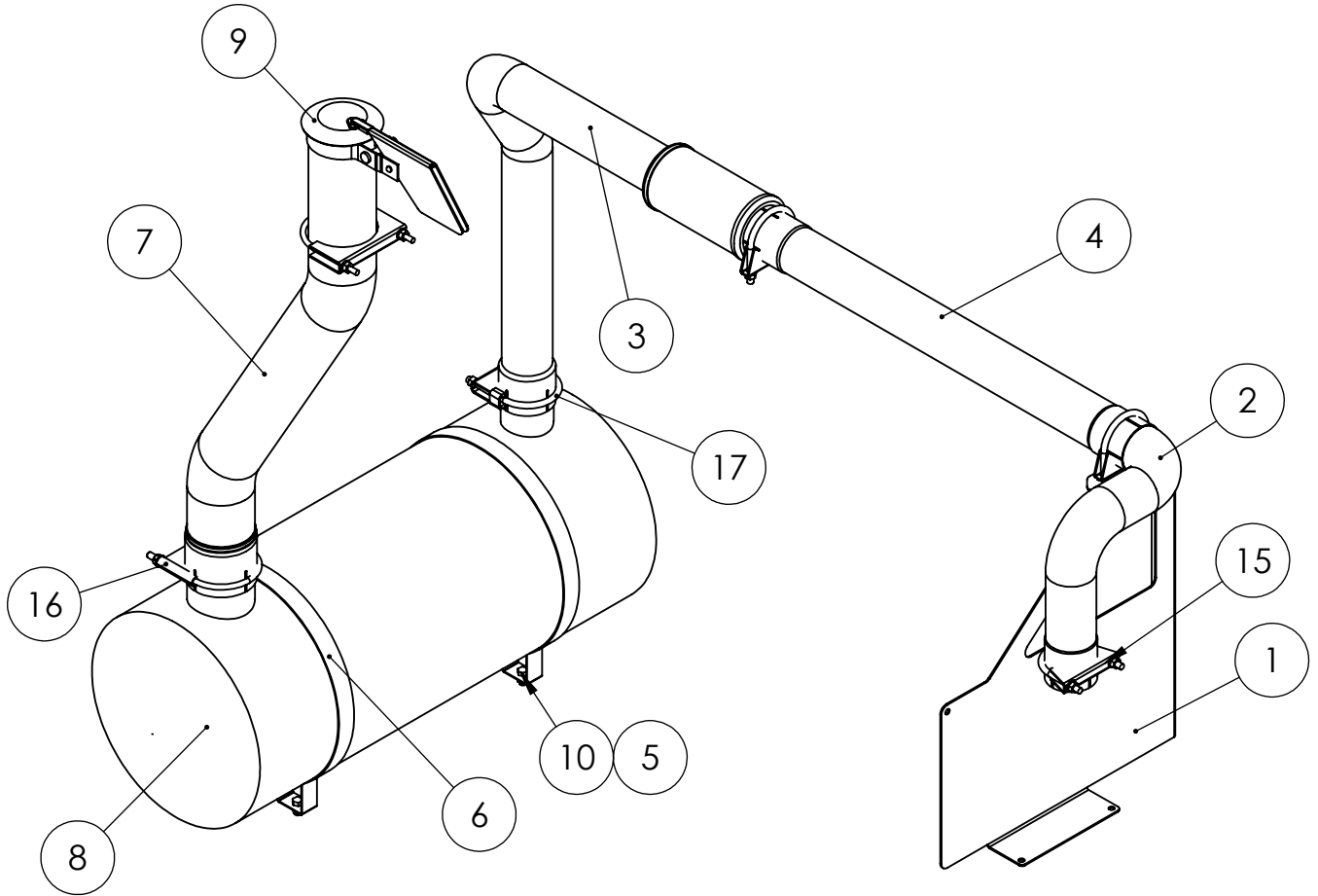
Fuel System



ITEM NO.	PART NUMBER	DESCRIPTION	QTY.
1	99065-005	FUEL WELDMENT 1.25"	1
2	22762-011	PIPE NPL 1.25NPT X 1.625 BLK	1
3	92042-005	1.25 NPT 90 DEG STREET ELBOW	2
4	42943-001	ADAPTER FLANGE 1.25' ASCO VALVE	1
5	16135-002	MODIFIED FUEL VALVE ASSY	1
6	92388-008	HOSE FIT 1.25 NPT X 1.25 HOSE	2
7	81018-001	HOSE CLAMP 1.25-2.25	2
8	65000-000	.25-20X.625 SS HHCS	4
9	16248-000	.25-20 FLANGE NUT	4
10	65005-000	.25 WASHER SS	4
11	15210-023	DECAL-FUEL SYSTEM PSS65, EDI FORD 7.3L ENGINE	1
12	2000-0419	PSS60 FUEL LINE	1
13	92042-000	ELBOW PIPE 1.25NPT 90	1

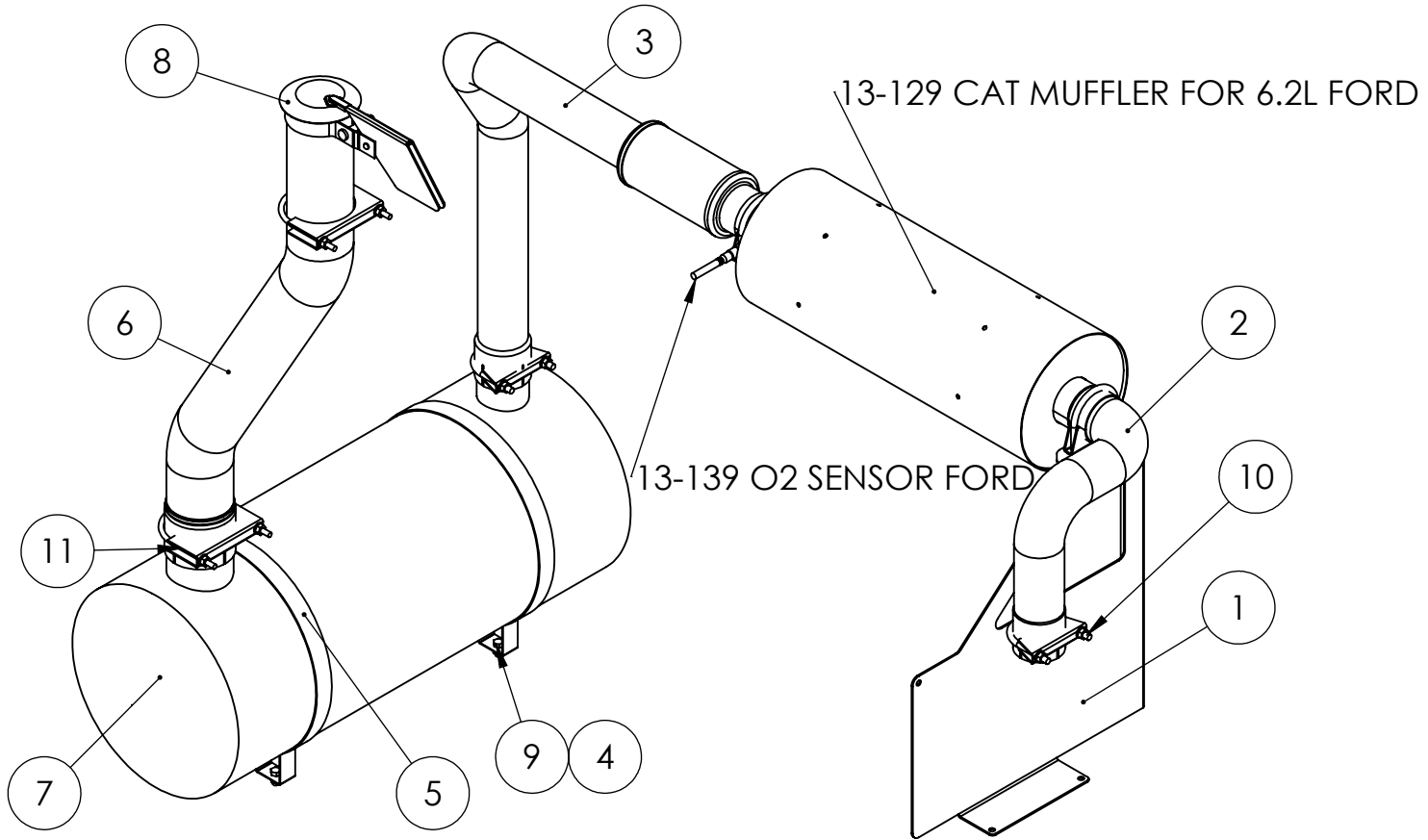


Exhaust System, Standby



ITEM NO.	PART NUMBER	DESCRIPTION	QTY.
1	1000-0683	EXHAUST PIPE MOUNT	1
2	1000-0681	EXHAUST TO CATALYST PIPE	1
3	1000-0682	CATALYST TO SILENCER PIPE	1
4	1000-0684	PSS60 STANDBY PIPE	1
5	16250-000	FLANGE NUT 3/8-16	4
6	350264-6	MOUNTING BAND	2
7	407090-302	TAIL PIPE	1
8	407090-000	CRITICAL GRADE SILENCER	1
9	53111-013	4" RAIN CAP	1
10	91658-011	.375-16X.75 HHB	4
11	93489-008	MUFFLER CLAMP 4"	1
12	1000-0690	INSULATION BLANKET ,6.2L FORD EXHAUST Y-PIPE, .5IN THICK, SPRING N CLIP	1
13	62628-005	INSULATION SLEEVE 3.5IN DIA BRAIDED FIBERGLASS, CUT 62628-000, PER INCH	70
14	1000-0960	STAINLESS STEEL CABLE TIE 14"	2
15	93489-001	MUFFLER CLAMP 3" 3/8"	3
16	93489-020	4.125 INCH MUFFLER CLAMP	1
17	93489-004	3.25" EXHAUST CLAMP	1

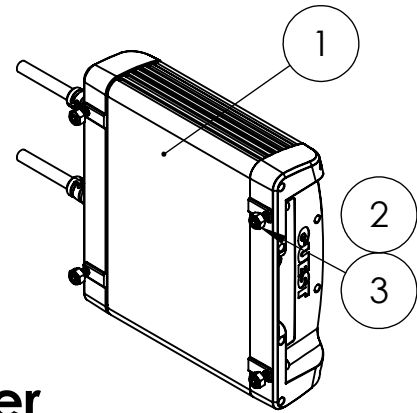
Exhaust System, Prime



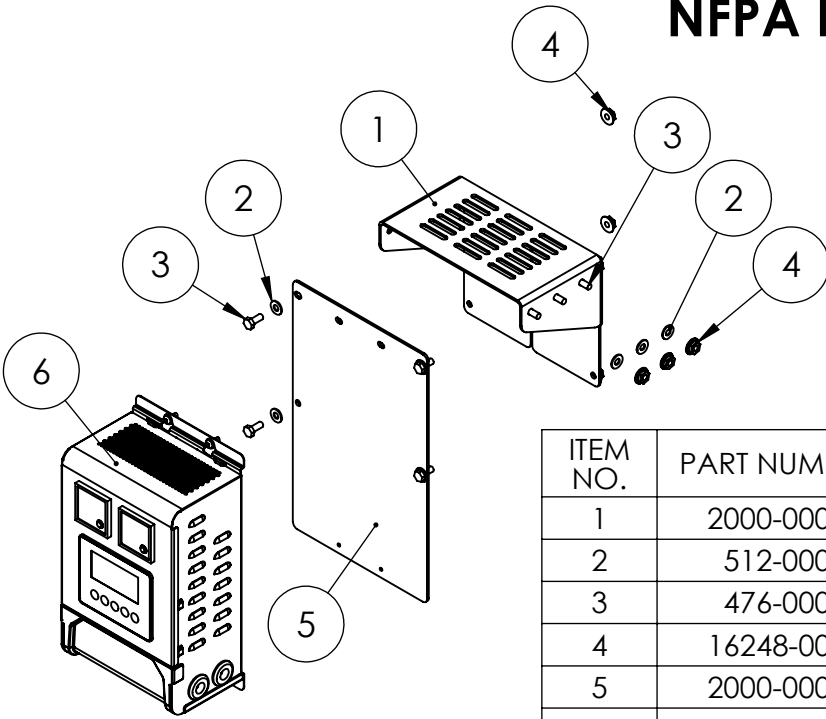
ITEM NO.	PART NUMBER	DESCRIPTION	QTY.
1	1000-0683	EXHAUST PIPE MOUNT	1
2	1000-0681	EXHAUST TO CATALYST PIPE	1
3	1000-0682	CATALYST TO SILENCER PIPE	1
4	16250-000	FLANGE NUT 3/8-16	4
5	350264-6	MOUNTING BAND	2
6	407090-302	TAIL PIPE	1
7	407090-000	CRITICAL GRADE SILENCER	1
8	53111-013	4" RAIN CAP	1
9	91658-011	.375-16X.75 HHB	4
10	93489-001	MUFFLER CLAMP 3" 3/8"	4
11	93489-008	MUFFLER CLAMP 4"	2
12	1000-0690	INSULATION BLANKET ,6.2L FORD EXHAUST Y-PIPE, .5IN THICK, SPRING N CLIP	1
13	1000-0961	INSULATION BLANKET 6.2L FORD CATALYST/MUFFLER SPRING & CLIP	1
14	62628-003	INSULATION SLEEVE 3.5IN DIA BRAIDED FIBERGLASS, CUT 62628-000, PER INCH	16
15	62628-004	INSULATION SLEEVE 3.5IN DIA BRAIDED FIBERGLASS, CUT 62628-000, PER INCH	29
16	1000-0960	STAINLESS STEEL CABLE TIE 14"	4

Battery Charger

ITEM NO.	PART NUMBER	DESCRIPTION	QTY.
1	72036-023	BATTERY CHARGER, 120VAC/12VDC, 5.0 AMP, GUEST MODEL 2708A	1
2	64872-001	SOC.HCS 10-24 X 1 BLK	4
3	5315-000	NUT HEX 10-24 NYLON	4



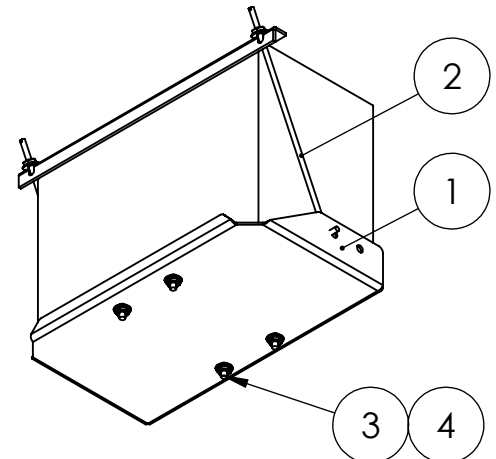
NFPA Battery Charger



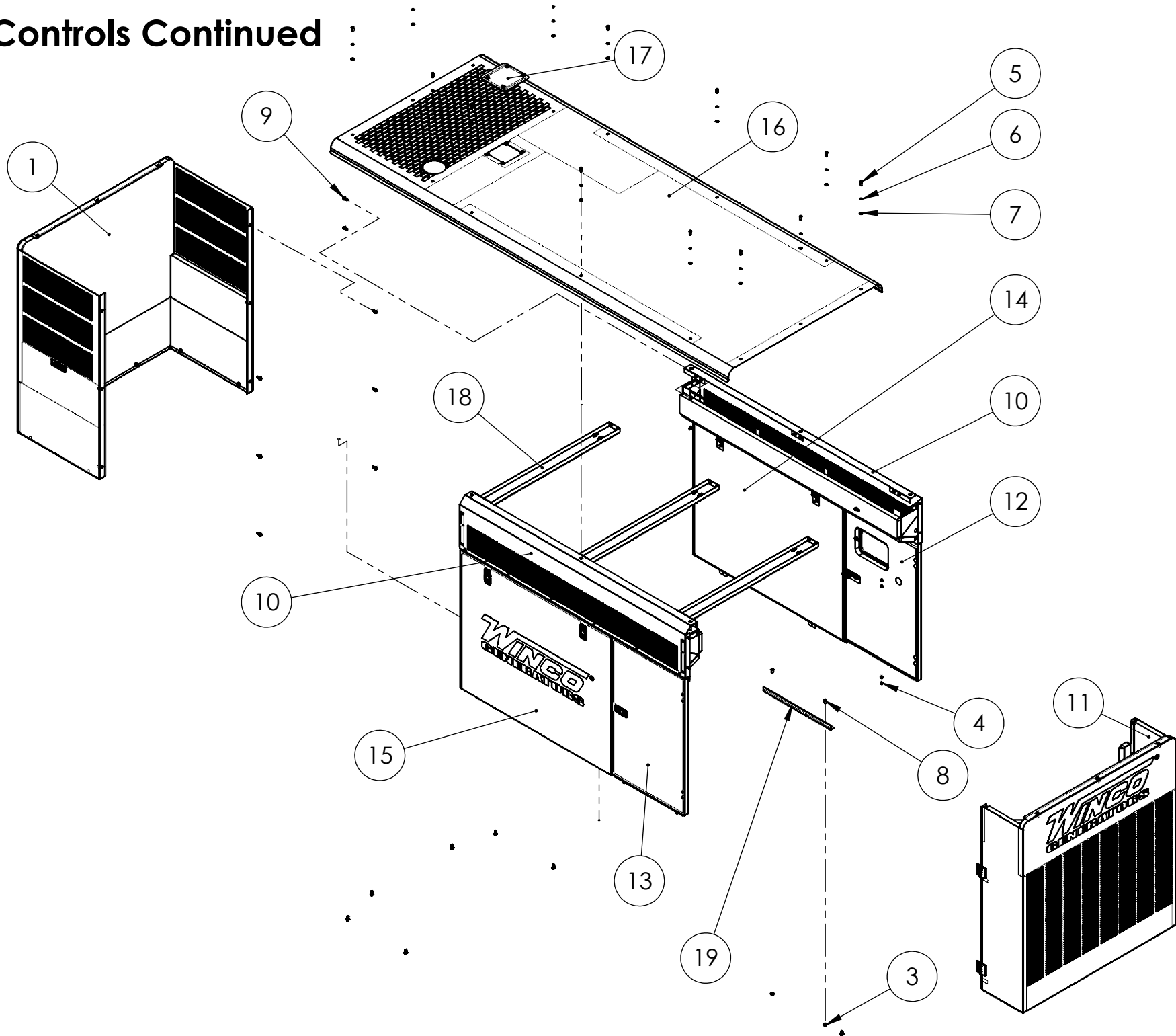
ITEM NO.	PART NUMBER	DESCRIPTION	QTY.
1	2000-0000	NFPA BATTERY CHARGER MOUNT	1
2	512-000	.25 WASHER	7
3	476-000	.25-20X.625 HHB	7
4	16248-000	.25-20 FLANGE	7
5	2000-0005	NFPA BATTERY CHARGER MOUNT PLATE	1
6	352020-20	BAT CHGR KIT 12_24V 10A NFPA, SND HARNESS	1

Battery Tray Kit

ITEM NO.	PART NUMBER	DESCRIPTION	QTY.
1	1000-0673	BATTERY TRAY	1
2	99288-005	BATTERY HOLD DOWN KIT	1
3	94980-003	THREAD STUD .25-20 X .750	4
4	16248-000	.25-20 FLANGE NUT	4
5	96580-013	BATTERY CABLE ASSEMBLY, NEGATIVE, 2-0AWG, 42IN	1
6	96580-014	BATTERY CABLE ASSEMBLY, POSITIVE, 2-0AWG, 48IN	1



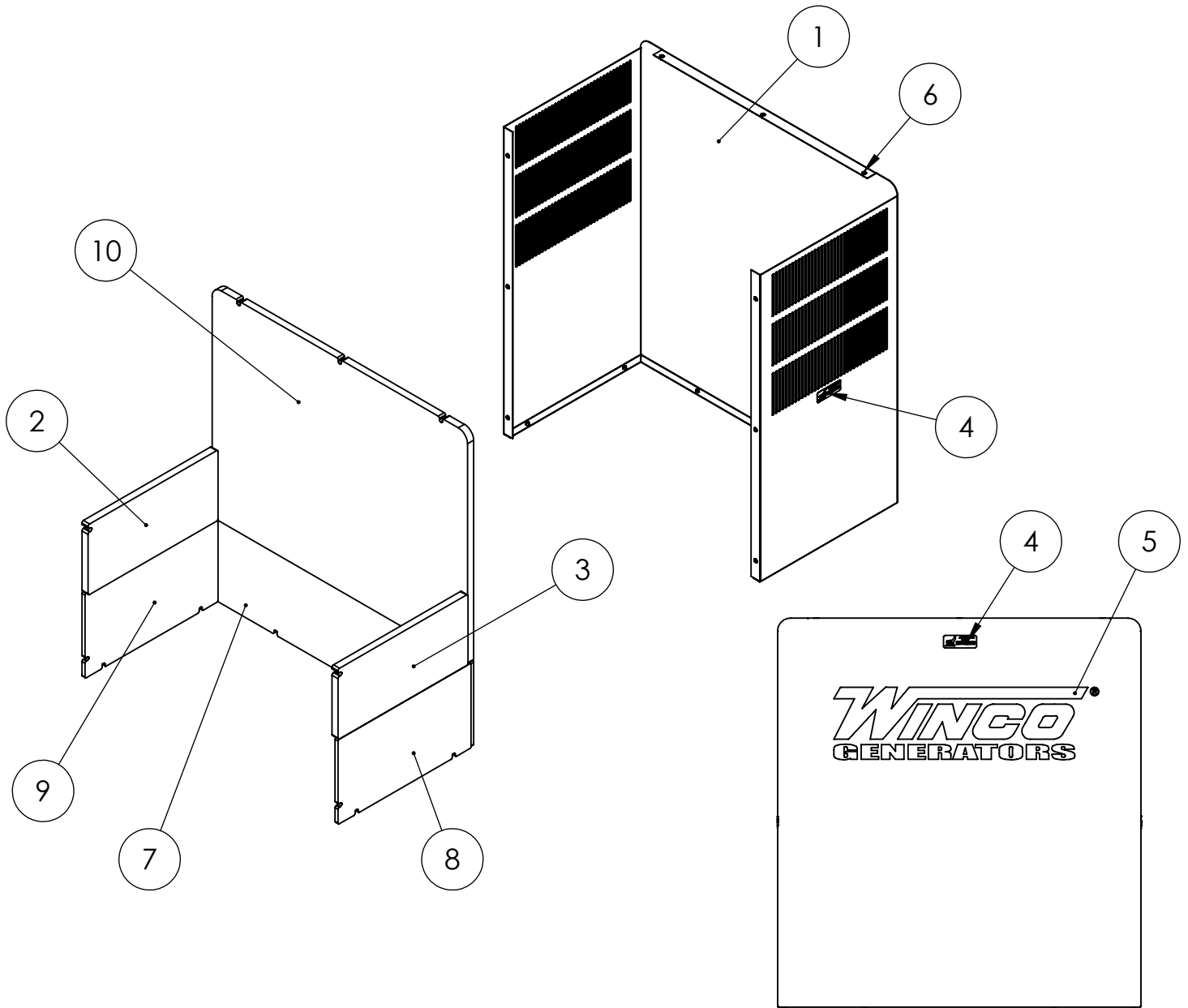
Controls Continued



Housing continued

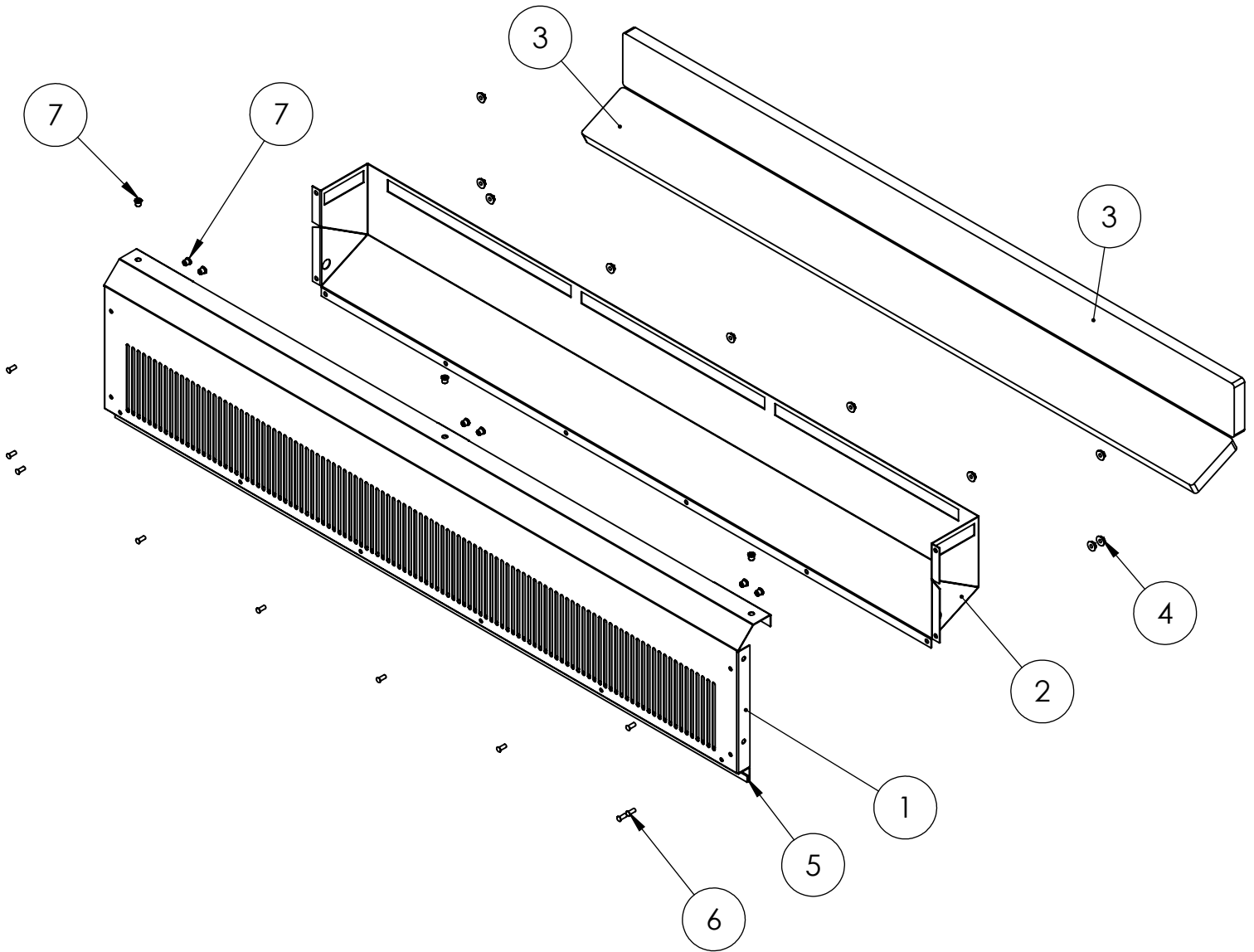
ITEM NO.	PART NUMBER	DESCRIPTION	
1	1000-0686	PSS60 FRONT SNORKEL	1
2	16248-000	.25-20 FLANGE NUT	4
3	16249-000	.3125-18 FLANGE	4
4	16446-000	M8-1.25 NYLOCK	8
5	65000-001	.25-20X.75 SS HHCS	14
6	65003-000	SS LOCK WASHER ID.25 OD.475 TH.07	14
7	65005-000	.25 WASHER SS	14
8	98879-001	THREAD STUD 5/16-18 X .75	4
9	352120-2	1/4-20 X .75 FHCS	38
10	487090-103	SIDE SILL ASSEMBLY	2
11	487090-105	REAR PANEL	1
12	487090-107	CONTROLLER DOOR	1
13	487090-108	CB DOOR	1
14	487090-109	CONTROL SIDE PANEL	1
15	487090-110	CB SIDE PANEL	1
16	487090-111	ROOF	1
17	487090-112	ROOF COVER	1
18	487090-113	ROOF SUPPORT	3
19	487090-114	DOOR STOP	2

Front Snorkel



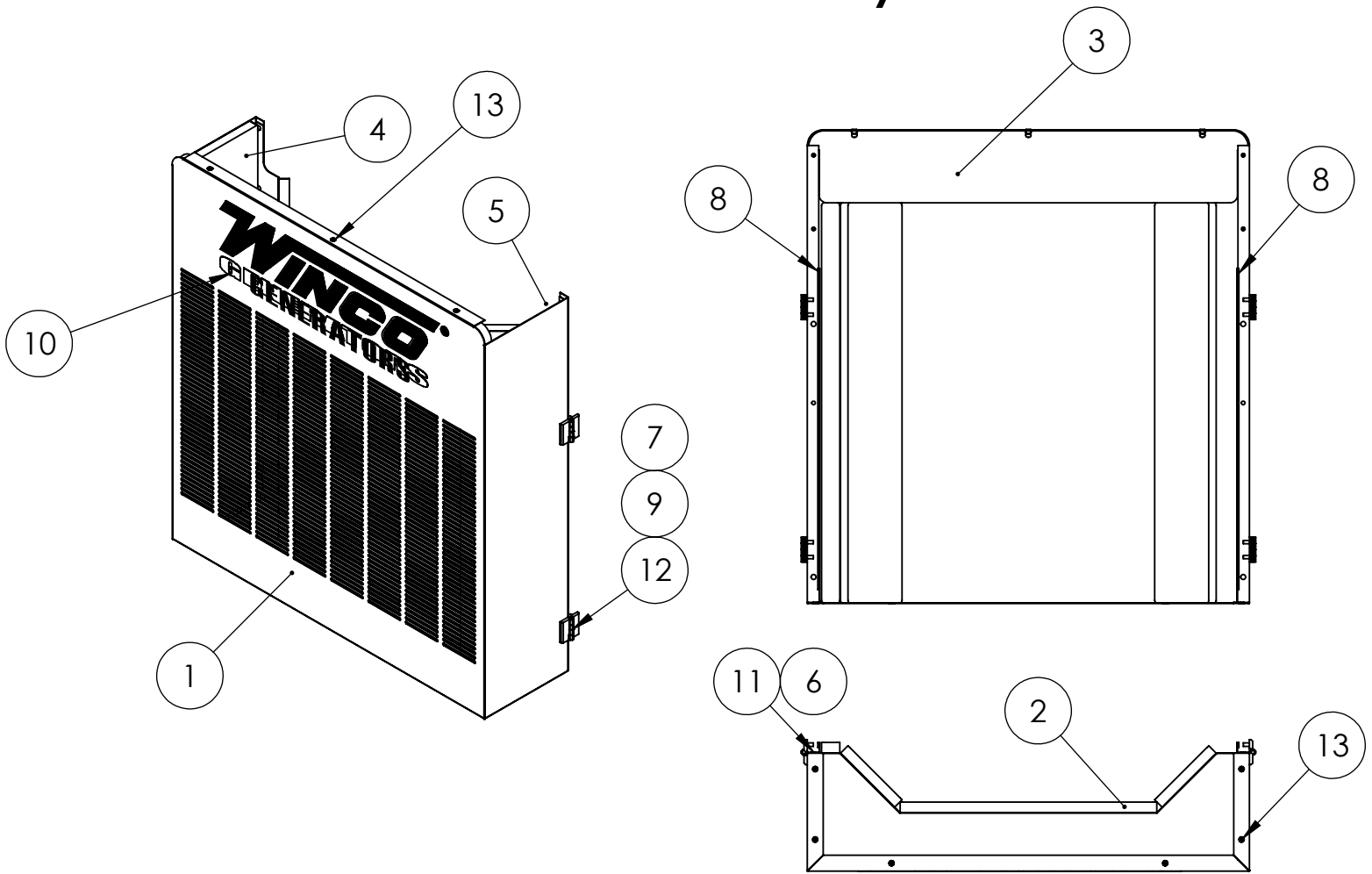
ITEM NO.	PART NUMBER	DESCRIPTION	
1	1000-0686	PSS60 FRONT SNORKEL	1
2	1000-0687	PSS60 FRONT LEFT SNORKEL FOAM	1
3	1000-0688	PSS60 FRONT RIGHT SNORKEL FOAM	1
4	63941-001	DECAL - HOT SURFACES	3
5	98313-000	WINCO LOGO	1
6	352125-1	1/4-20 RIVET NUT 22 GA-10GA	15
7	492090-104	BOTTOM FRONT FOAM	1
8	492090-105	BOTTOM RIGHT FOAM	1
9	492090-106	BOTTOM LEFT FOAM	1
10	492090-107	FRONT TOP FOAM	1

Side Sill Assembly



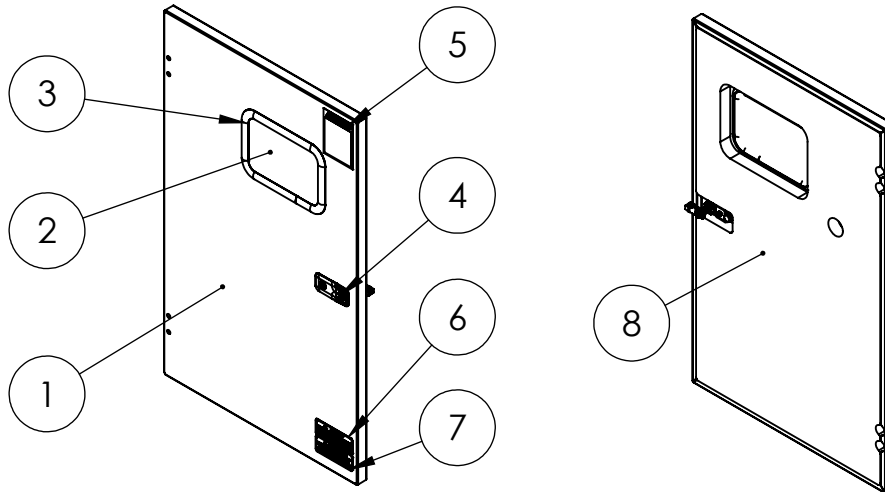
ITEM NO.	PART NUMBER	DESCRIPTION	
1	487090-103	SIDE SILL	1
2	487090-104	SIDE SILL BAFFLE	1
3	492090-110	SIDE SILL BAFFLE FOAM	2
4	16248-000	.25-20 FLANGE NUT	10
5	62912-000	.500 X .125 FOAM 61.75 LONG	1
6	94980-001	THREAD STUD .25-20X.625	10
7	352125-1	1/4-20 RIVET NUT 22 GA-10GA	9

Rear Panel Assembly



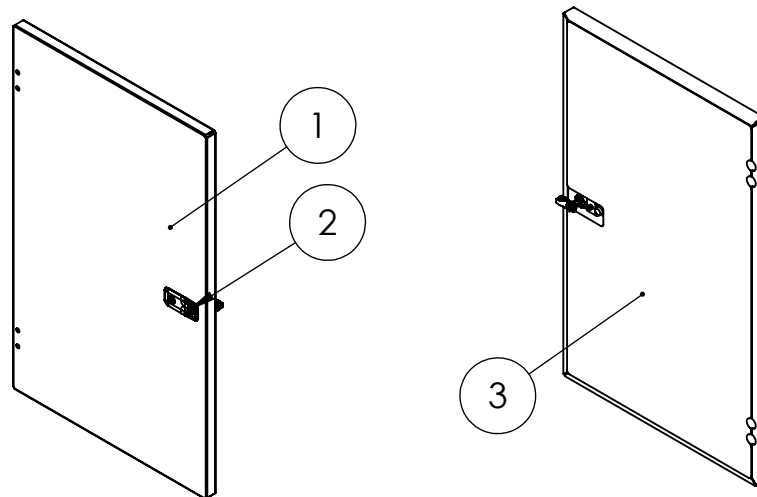
ITEM NO.	PART NUMBER	DESCRIPTION	QTY.
1	487090-105	REAR PANEL	1
2	487090-106	REAR Baffle	1
3	492090-114	REAR PANEL FOAM	1
4	492090-115	REAR PANEL LEFT SIDE FOAM	1
5	492090-116	REAR PANEL RIGHT FOAM	1
6	16249-000	.3125-18 FLANGE	4
7	16446-000	M8-1.25 NYLOCK	8
8	62912-000	.500 X .125 FOAM 30.5 LONG	2
9	63841-008	M8 X 16MM FLAT WASHER	8
10	98313-000	WINCO LOGO	1
11	98879-001	THREAD STUD 5/16-18 X .75	4
12	350054-5	HINGE BLACK	4
13	352125-1	1/4-20 RIVET NUT 22 GA-10GA	9

Controller Door Assembly



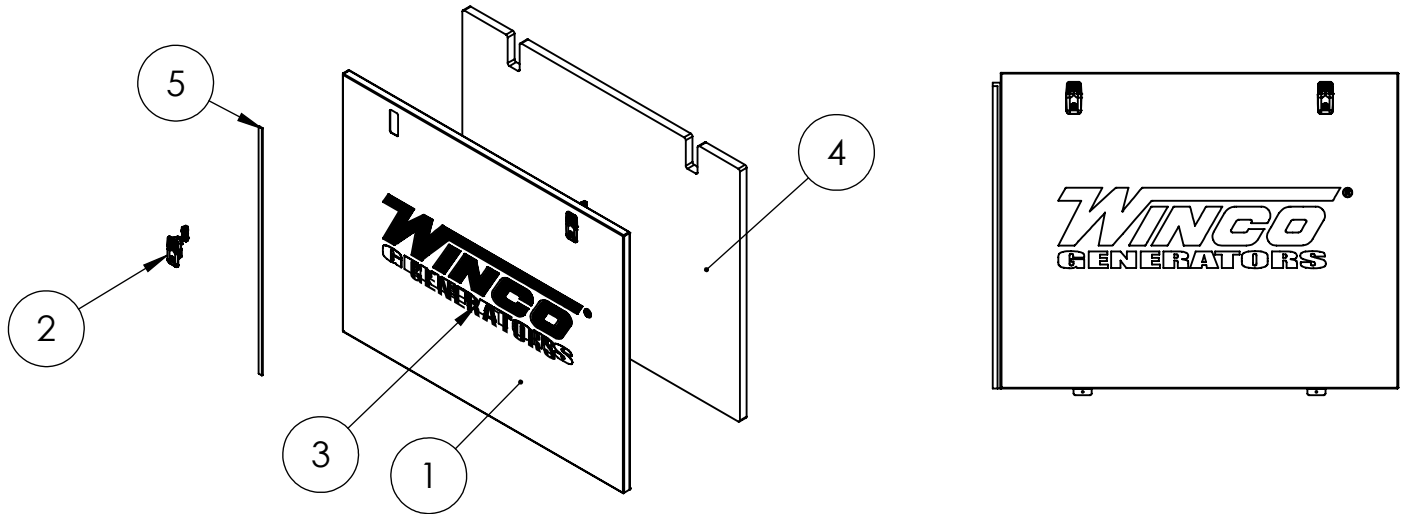
ITEM NO.	PART NUMBER	DESCRIPTION	QTY.
1	487090-107	CONTROLLER DOOR	1
2	351556-1	WINDOW PANEL	1
3	351597	WEATHER STRIP WINDOW SEAL	1
4	95229-004	LATCH	1
5	97813-000	DECAL-WARNING CYCLE CRANK	1
6	63941-003	DECAL-WARNING NO SPARK	1
7	63941-103	DECAL-WARNING NO SPARK	1
8	492090-117	CONTROLLER DOOR FOAM	1

Circuit Breaker Door Assembly



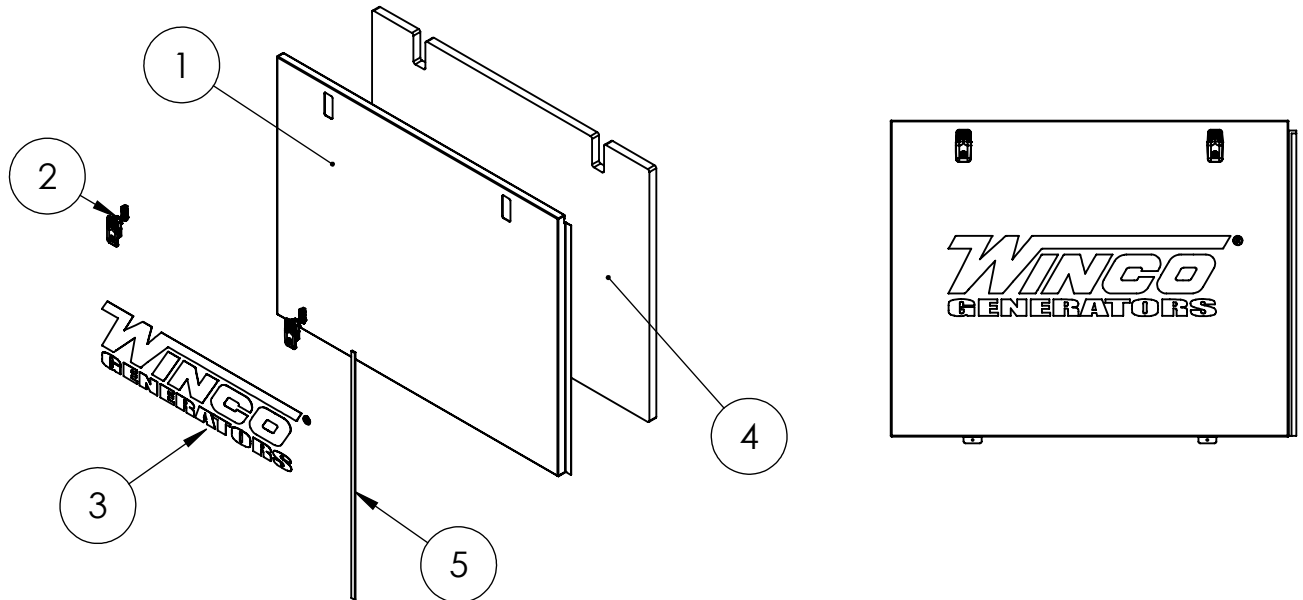
ITEM NO.	PART NUMBER	DESCRIPTION	QTY.
1	487090-108	CB DOOR	1
2	95229-004	LATCH	1
3	492090-118	CB DOOR FOAM	1

Control Side Panel Assembly



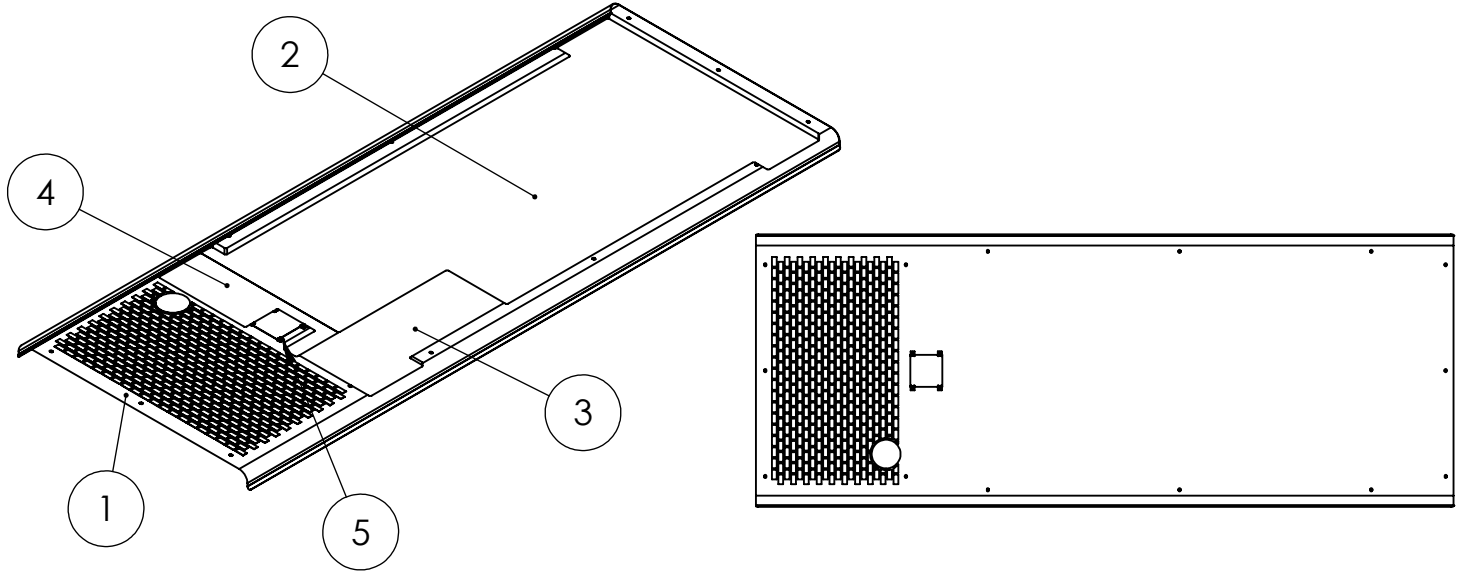
ITEM NO.	PART NUMBER	DESCRIPTION	QTY.
1	487090-109	CONTROL SIDE PANEL	1
2	95229-004	LATCH	2
3	98313-000	WINCO LOGO	1
4	492090-119	CONTROL SIDE PANEL FOAM	1
5	62912-000	.500 X .125 FOAM 31.5 LONG	1

Circuit Breaker Side Panel Assembly



ITEM NO.	PART NUMBER	DESCRIPTION	QTY.
1	487090-110	CB SIDE PANEL	1
2	95229-004	LATCH	2
3	98313-000	WINCO LOGO	1
4	492090-120	CB SIDE PANEL FOAM	1
5	62912-000	.500 X .125 FOAM 31.5 LONG	1

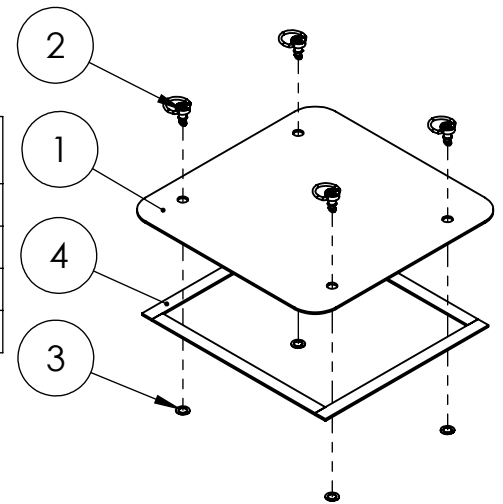
Roof Assembly



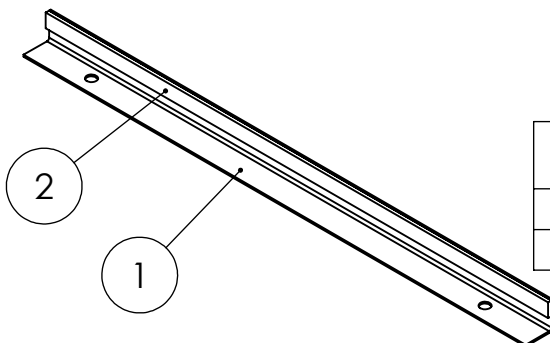
ITEM NO.	PART NUMBER	DESCRIPTION	
1	487090-111	ROOF	1
2	492090-121	ROOF FOAM	1
3	492090-123	ROOF HEAT FOAM	1
4	492090-122	ROOF FOAM FRONT	1
5	91683-000	1/4 TURN CLIP NUT	4

Roof Cover Assembly

ITEM NO.	PART NUMBER	DESCRIPTION	QTY.
1	487090-112	ROOF COVER PLATE OIL LEVEL	1
2	91682-002	1/4 TURN BAIL STYLE	4
3	91684-000	RETAINER RING 1/4 TURN SPLIT RING	4
4	62912-002	FOAM STRIP 1/16 X 3/8 6" LONG	4

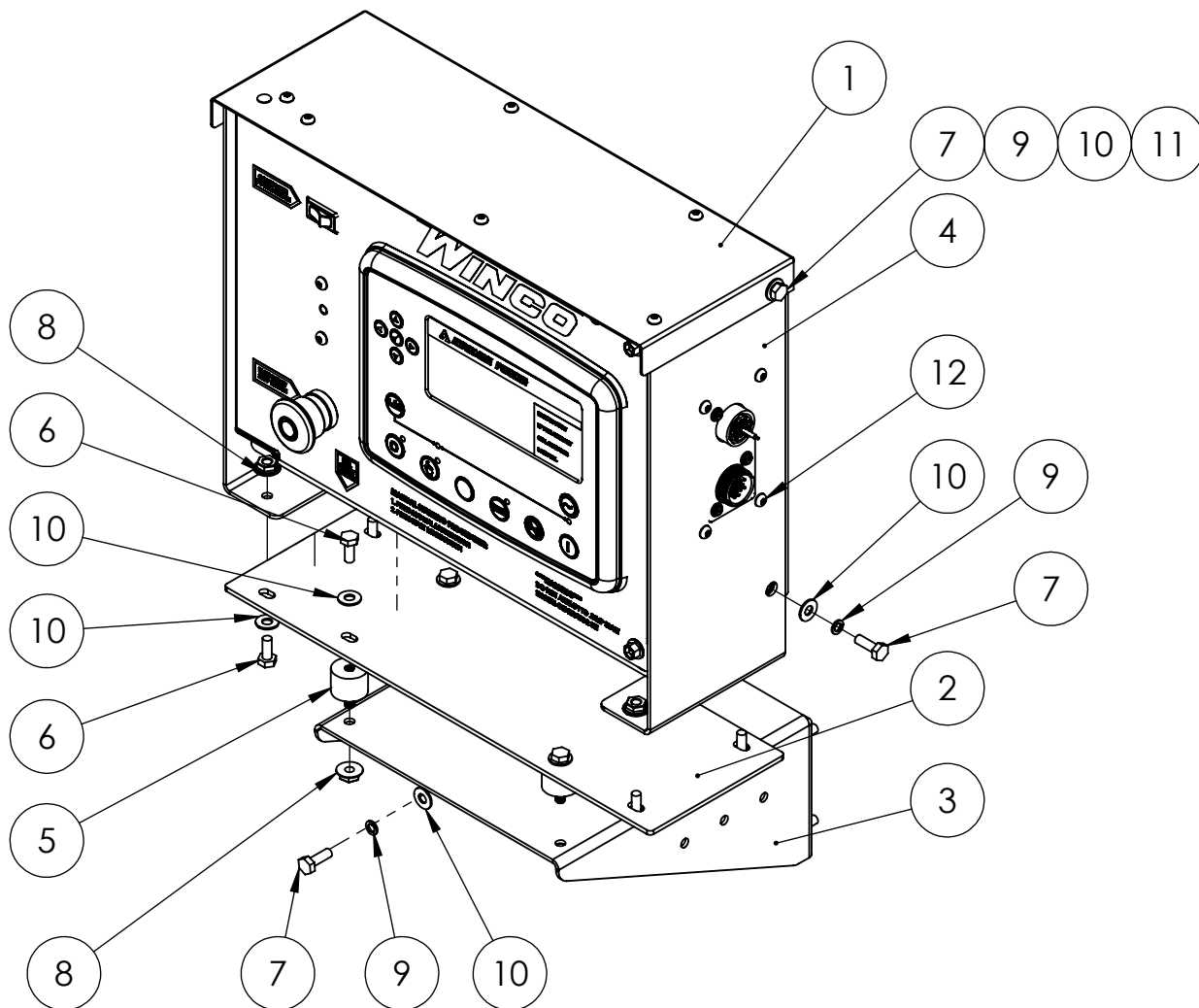


Door Stop



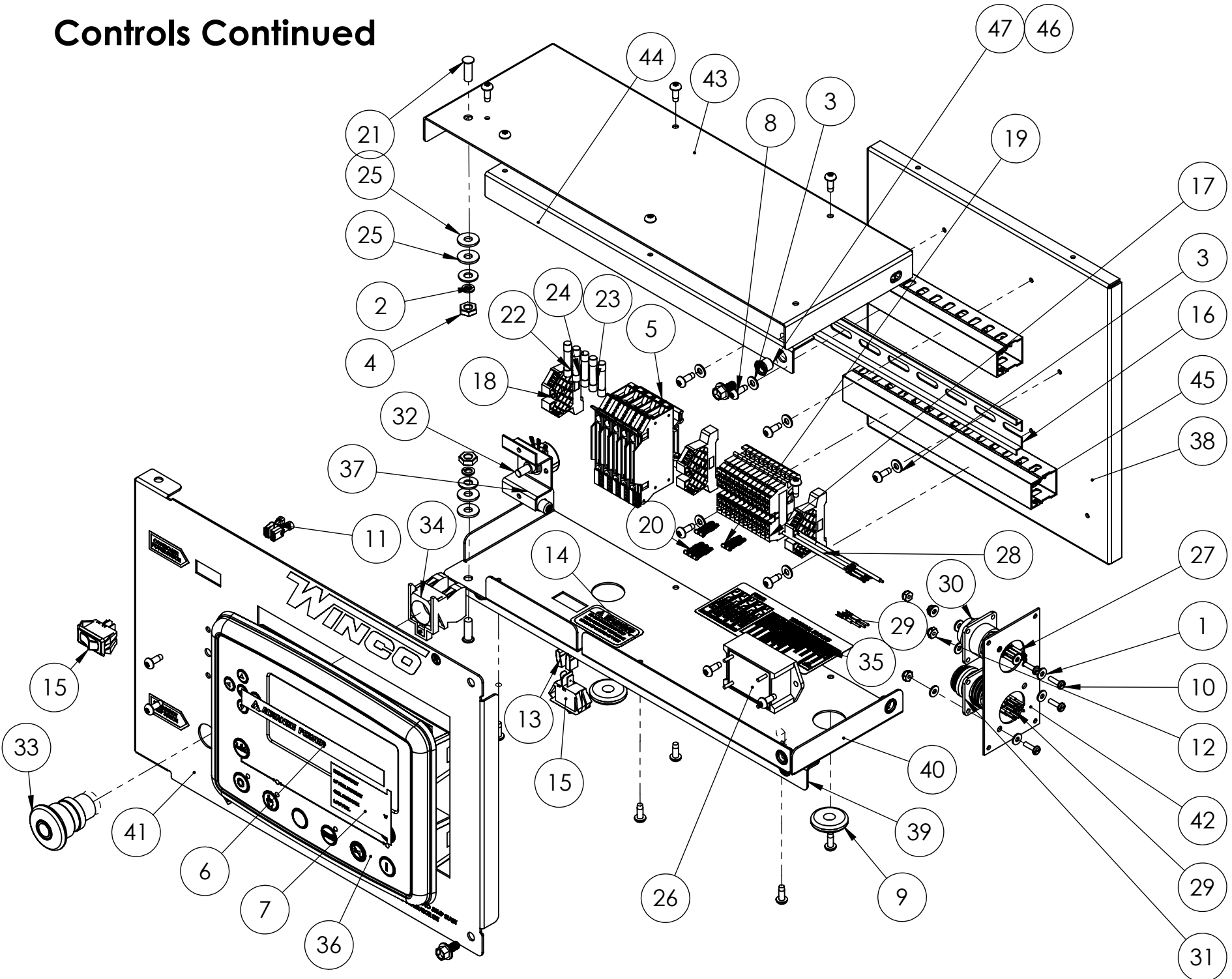
ITEM NO.	PART NUMBER	DESCRIPTION	QTY.
1	487090-114	DOOR STOP	1
2	62912-000	.500 X .125 FOAM 18.5 LONG	1

Controls



ITEM NO.	PART NUMBER	DESCRIPTION	QTY.
1	351891-51	ECU ENGINE CONTROLLER	1
2	1000-0542	CONTROLLER VIBE MOUNT	1
3	1000-0663	CONTROLLER SIDE PEDESTAL MOUNT	1
4	1000-0568	CONTROLLER BOX MOUNT	1
5	64062-002	SHOCKMOUNT .25 50 DURO	4
6	476-000	.25-20X.625 HHB	8
7	466-000	.25-20X.75 HHB	8
8	16248-000	.25-20 FLANGE NUT	8
9	479-000	LOCK WASHER, .25" SPLIT	8
10	512-000	.25 WASHER	16
11	352125-1	1/4-20 RIVET NUT 22 GA-10GA	2
12	21698-001	TORX PAN HEAD SCREW #10	4

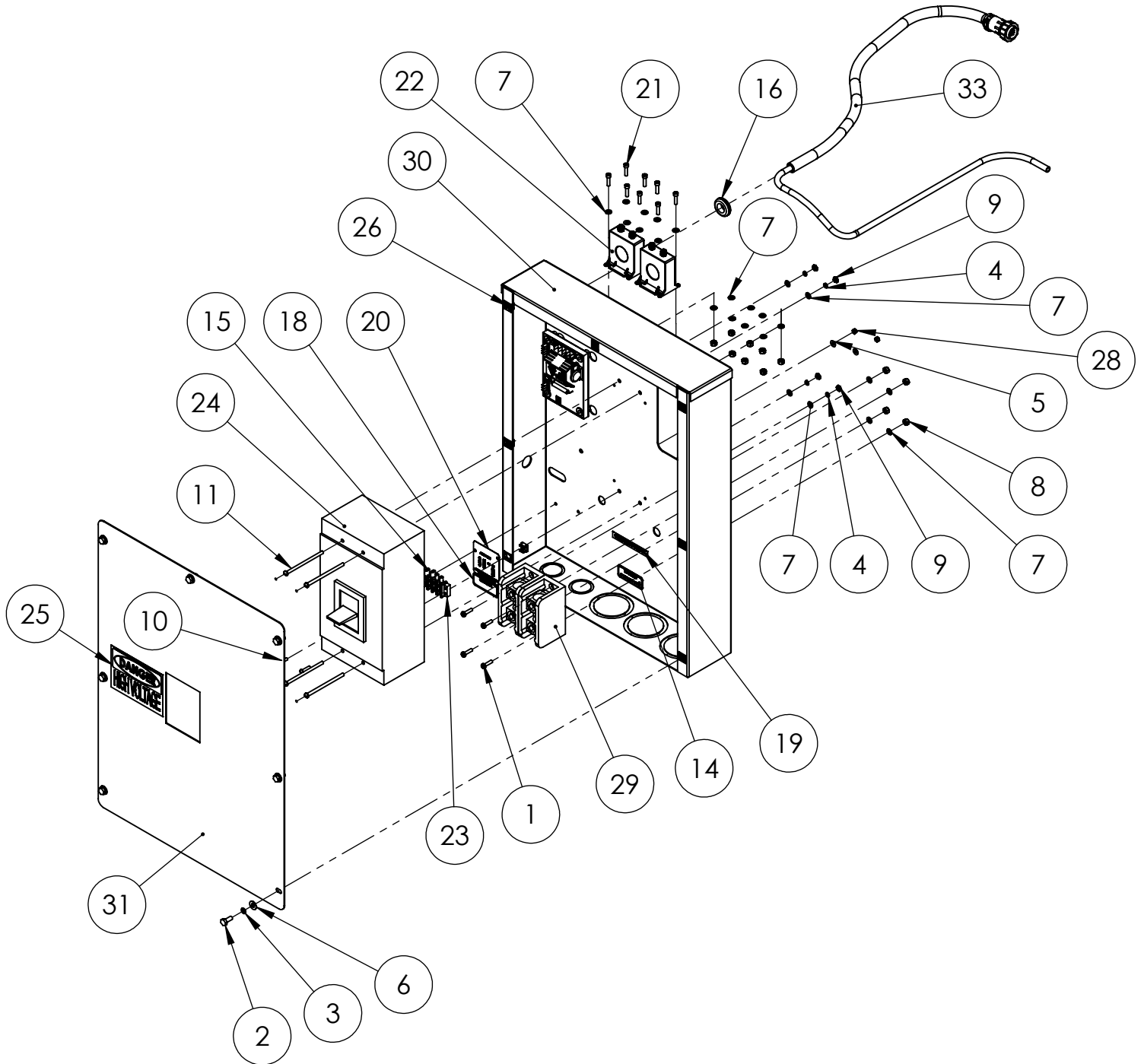
Controls Continued



Controls Continued

ITEM NO.	PART NUMBER	DESCRIPTION	QTY.
1	425-000	#6 FLATWASHER	8
2	479-000	LOCK WASHER, .25" SPLIT	2
3	598-000	#10 WASHER	6
4	638-000	HEX NUT, .25IN	2
5	2489-003	DIN RAIL FUSE HOLDER 1-1/4 X 1/4IN	5
6	16600-005	DSE MKII ADVANCE POWER LOGO INSERT	1
7	16601-007	DSE 8610 MKII LIGHT LEGEND CARD INSERT	1
8	21698-001	TORX PAN HEAD SCREW #10	21
9	23917-002	GROMMET, .375ID X 1	2
10	24988-000	SCREW 6-32 X 1/2 BIND	4
11	48602-003	TERMINAL FEMALE 16-14 AWG .250 TAB	4
12	51802-000	NUT HEX #6-32 NYLOCK	4
13	61898-000	TERMINAL FLAG 16/14AWG .250	2
14	63941-004	DECAL FUSE WARNING (ENGLISH)	1
15	64089-000	SPST, ROCKER SWITCH	2
16	64551-005	DIN RAIL 9.5"	1
17	80623-009	TERMINAL BLOCK, DIN MOUNTED, SPRING CAGE	12
18	80623-010	END BLOCK, DIN MOUNTED	3
19	80623-011	2-POLE TERMINAL BLOCK JUMPER	2
20	80623-012	3-POLE TERMINAL BLOCK JUMPER	1
21	94980-003	THREAD STUD .25-20 X .750	2
22	95064-006	FUSE AGC 10 AMP	1
23	95064-008	FUSE AGC 2 AMP	3
24	95064-000	FUSE AGC 3 AMP	1
25	96286-001	1/4" NYLON WASHER	4
26	96333-001	LOW COOLANT MODULE	1
27	96923-001	TERMINAL, SOCKET, 18-16AWG	10
28	96923-101	PLUG TERMINAL	4
29	96924-001	TERMINAL, PIN, 18-16AWG	16
30	96925-002	14 PIN CONNECTOR	1
31	96925-006	16 PIN CONNECTOR	1
32	97517-001	RHEOSTAT	1
33	99783-001	SWITCH, PUSH-PULL	1
34	99783-002	SWITCH CONTACT	1
35	351095-16	DECAL, FUSES AND TERMINAL BLOCKS	1
36	351112-29	DEEP SEA ELECTRONICS 7310 MKII	1
37	351900-36	RHEOSTAT MOUNTING BRACKET	1
38	351900-42	DIN RAIL MOUNTING PLATE	1
39	351900-44	COVER SUPPORT BRACKET	1
40	351900-45	DSE8610 CONTROL BOX BOTTOM	1
41	351900-47	DSE 7310 MKII FRONT PANEL	1
42	351900-51	PLUG MOUNTING PLATE	1
43	351900-52	DSE CONTROL BOX TOP	1
44	351900-53	DSE PANEL STOP	1
45	352017-001	WIRE DUCT, 8.5IN	2
46	352120-1	1/4-20 X .500 FHCS	2
47	352125-1	1/4-20 RIVET NUT 22 GA-10GA	1
48	512-000	.25 WASHER	2
49	48602-004	TERMINAL MALE 16-14 AWG .250 TAB	1

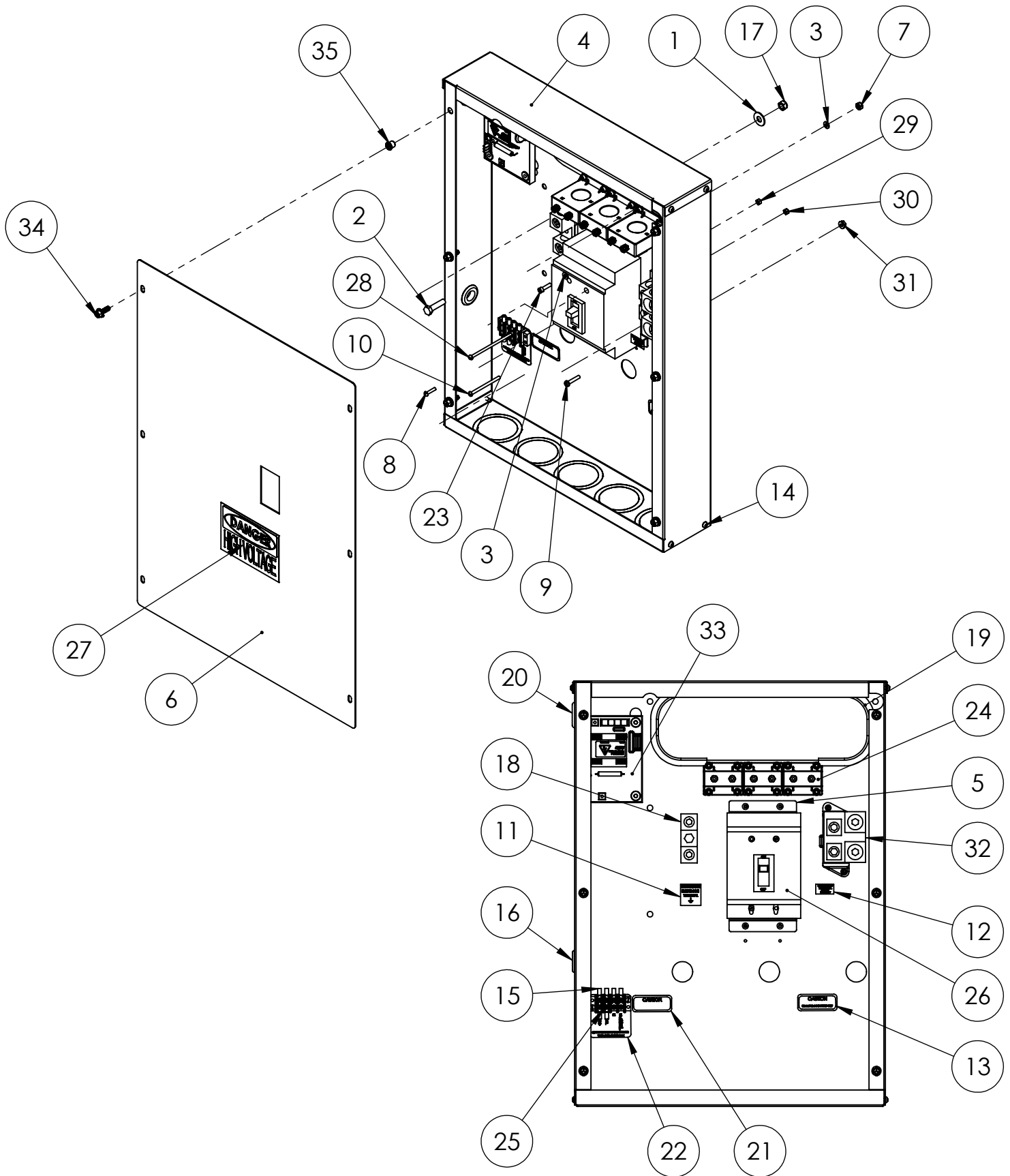
CB Assembly PSS60 120/240V 1 PH



CB Assembly PSS60 120/240V 1 PH Continued.

ITEM NO.	PART NUMBER	DESCRIPTION	QTY.
1	420-000	RHMS 10-24 X .75	4
2	476-000	.25-20X.625 HHB	7
3	479-000	LOCK WASHER, .25" SPLIT	7
4	484-000	#10 LOCKWASHER SPLIT	4
5	511-000	#8 FLATWASHER	2
6	512-000	.25 WASHER	7
7	598-000	#10 WASHER	24
8	5315-000	NUT HEX 10-24 NYLON	12
9	6372-000	#10-32 HEX NUT	4
10	7614-000	RHMS 8-32 X .75	2
11	15013-000	RHMS 10-32X3.5	4
12	16499-000	UL-DECAL-GROUNDING-WHITE	1
13	16501-000	DECAL-FLOATING NEUTRAL	1
14	16503-000	DECAL-COPPER CONDUCTORS ONLY	1
15	22370-006	TERMINAL SPADE 16-14AWG #5-#6	6
16	23917-000	GROMMET .6875ID X 1	1
17	58684-018	EDGE TRIM 31"	1
18	63941-005	DECAL-CIRCUIT REMAINS ENERGIZED	1
19	64576-009	GENERATOR OUTPUT DECAL	1
20	64576-020	DECAL-GFCI PROTECTED UTILITY 4P	1
21	64872-000	SOC.HCS 10-24 X 3/4 BLK	8
22	80126-004	CT 300:5 PANEL MOUNT	2
23	80623-008	TERMINAL BLOCK, 4PT, 20A	1
24	81094-707	CIRCUIT BREAKER 250AMP 2POLE 240VOLT	1
25	91498-000	DECAL-DANGER HIGH VOLTAGE 3.5x5	1
26	92495-000	.25-20 TINNERMAN	7
27	93073-000	CONNECTOR, BOX, 1/2 INCH	1
28	95985-000	NUT HEX #8-32 NYLOK	2
29	97753-017	TERMINAL BLOCK 1	2
30	99826-244	CB & RECONNECT BOX PSS60	1
31	99826-245	CB COVER	1

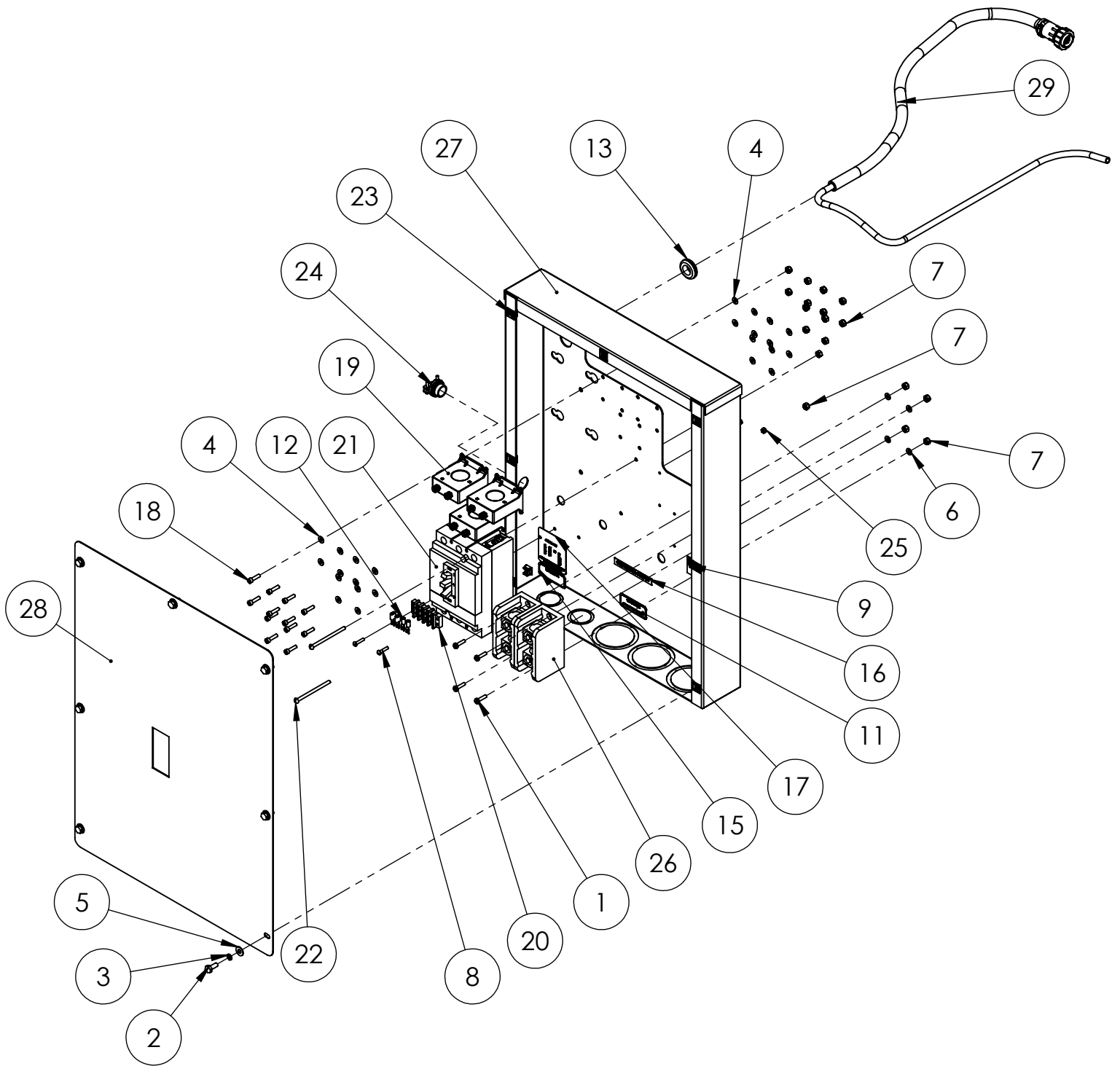
CB Assembly PSS60 120/208V, 120/240V 3 PH



CB Assembly PSS60 120/208V, 120/240V 3 PH Continued.

ITEM NO.	PART NUMBER	DESCRIPTION	QTY.
1	526-000	5/16 FLAT WASHER	1
2	580-000	5/16-18X1.25	1
3	598-000	#10 WASHER	24
4	1000-0659	CB BOX, -04, -17, -18, -21	1
5	1000-0693	CB RISER	1
6	1000-0694	CB COVER, -04, -17	1
7	5315-000	NUT HEX 10-24 NYLON	12
8	7614-000	RHMS 8-32 X .75	2
9	9362-000	10-24X1	2
10	10888-000	RHMS 8-32 X 2.5 ZINC	1
11	16499-000	UL-DECAL-GROUNDING-WHITE	1
12	16501-000	DECAL-FLOATING NEUTRAL	1
13	16503-000	DECAL-COPPER CONDUCTORS ONLY	1
14	21698-001	TORX PAN HEAD SCREW #10	12
15	22370-006	TERMINAL SPADE 16-14AWG #5-#6	6
16	23917-000	GROMMET .6875ID X 1	1
17	47136-000	HEX NUT .3125-18 NYLOK	1
18	58060-000	TERMINAL GROUND LUG	2
19	58684-011	25.5" EDGE TRIM	1
20	62486-000	GROMMET 1 X 1.375	1
21	63941-005	DECAL-CIRCUIT REMAINS ENERGIZED	1
22	64576-020	DECAL-GFCI PROTECTED UTILITY 4P	1
23	64872-000	SOC.HCS 10-24 X 3/4 BLK	12
24	80126-004	CT 300:5 PANEL MOUNT	3
25	80623-008	TERMINAL BLOCK, 4PT, 20A	1
26	81096-006	CIR.BRK.225A-3PL-240V	1
27	91498-000	DECAL-DANGER HIGH VOLTAGE 3.5x5	1
28	92009-000	RHMS 8-32X3.5	1
29	95985-000	NUT HEX #8-32 NYLOK	2
30	95985-000	#8-32 NYLOK HEX NUT	2
31	99671-000	#10-24 HEX NUT	2
32	350124-2	NEUTRAL SK400 400 AMP	1
33	350818	SX460 AVR	1
34	352120-2	1/4-20 X .75 FHCS	6
35	352125-1	1/4-20 RIVET NUT 22 GA-10GA	6

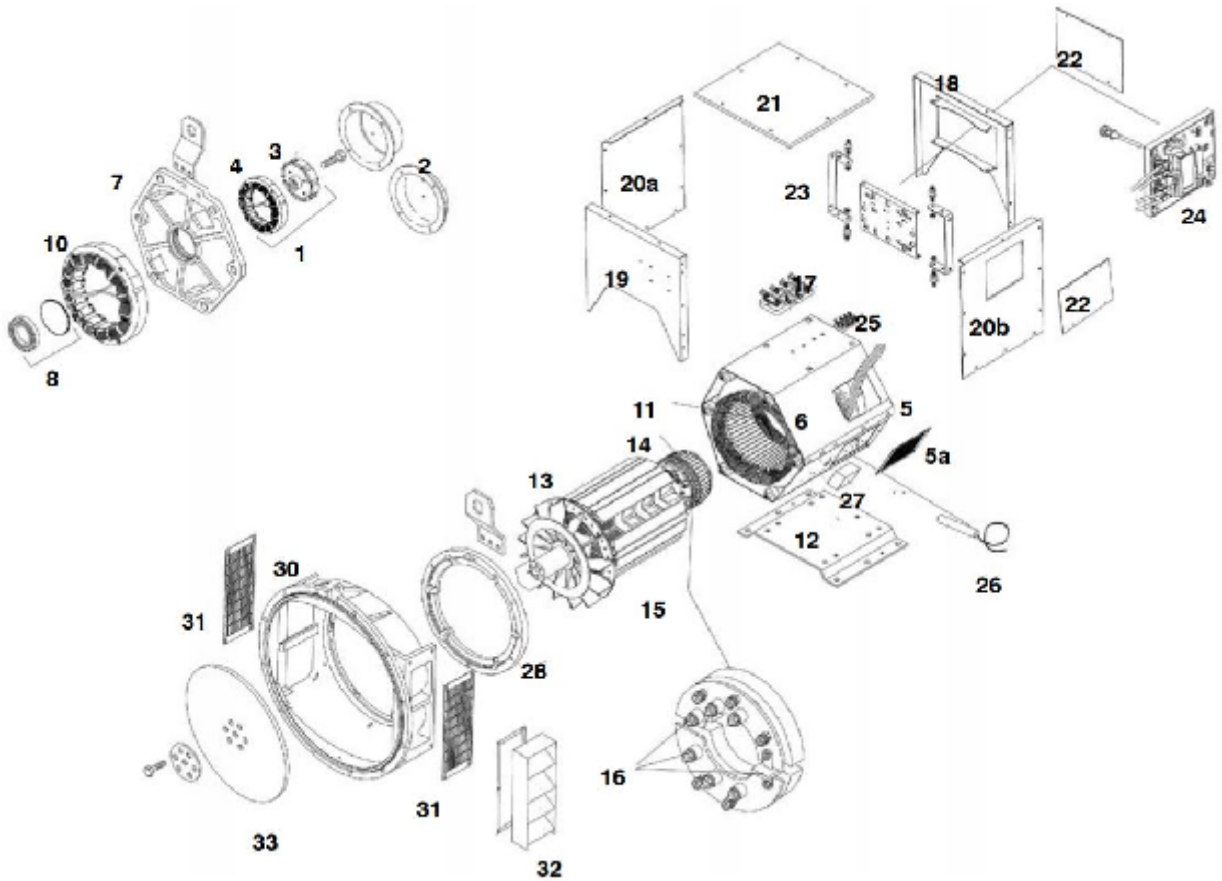
CB Assembly PSS60 277/480V, 346/600V 3 PH



CB Assembly PSS60 277/480V, 346/600V 3 PH Continued.

ITEM NO.	PART NUMBER	DESCRIPTION	QTY.
1	420-000	RHMS 10-24 X .75	4
2	476-000	.25-20X.625 HHB	7
3	479-000	LOCK WASHER, .25" SPLIT	7
4	511-000	#8 FLATWASHER	24
5	512-000	.25 WASHER	7
6	598-000	#10 WASHER	4
7	5315-000	NUT HEX 10-24 NYLON	18
8	7614-000	RHMS 8-32 X .75	2
9	16499-000	UL-DECAL-GROUNDING-WHITE	1
10	16501-000	DECAL-FLOATING NEUTRAL	1
11	16503-000	DECAL-COPPER CONDUCTORS ONLY	1
12	22370-006	TERMINAL SPADE 16-14AWG #5-#6	6
13	23917-000	GROMMET .6875ID X 1	1
14	58684-018	EDGE TRIM 31"	1
15	63941-005	DECAL-CIRCUIT REMAINS ENERGIZED	1
16	64576-009	GENERATOR OUTPUT DECAL	1
17	64576-020	DECAL-GFCI PROTECTED UTILITY 4P	1
18	64872-000	SOC.HCS 10-24 X 3/4 BLK	12
19	80126-002	CT 100:5 PANEL MOUNT	3
20	80623-008	TERMINAL BLOCK, 4PT, 20A	1
21	81097-048	CIR.BRK., 100A-3PL-600V	1
22	91190-000	RHMS 10-24 X 3.00	2
23	92495-000	.25-20 TINNEMAN	7
24	93073-000	CONNECTOR, BOX, 1/2 INCH	1
25	95985-000	NUT HEX #8-32 NYLOK	2
26	97753-017	TERMINAL BLOCK 1	2
27	99826-246	CB BOX PSS60	1
28	99826-247	CB COVER	1

Generator



ITEM	DESCRIPTION	PSS60 -03	PSS60 -04, -17, -18	PSS60-21	QTY
--	COMPLETE GENERATOR END	351930-41	351930-4	350669-4	1
--	STAMFORD MODEL	UCI224F	UCI224F1L	UCI224F	--
--	WINDING	06	311	17	--
24	AVR	350818-2	350818-2	--	1
16	DIODE FWD/REV & VARISTOR KIT	8-100	8-100	--	1
--	FUSES	350005-401	350005-401	--	1

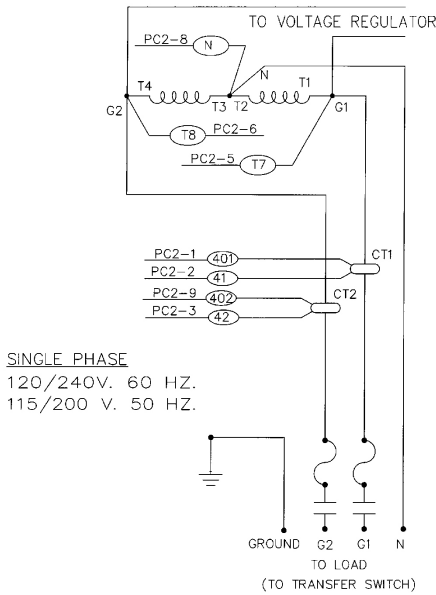
NOTE: GENENDS WITH PMG ADDER USE AVR 8-111

Contact Winco for additional generator parts support.

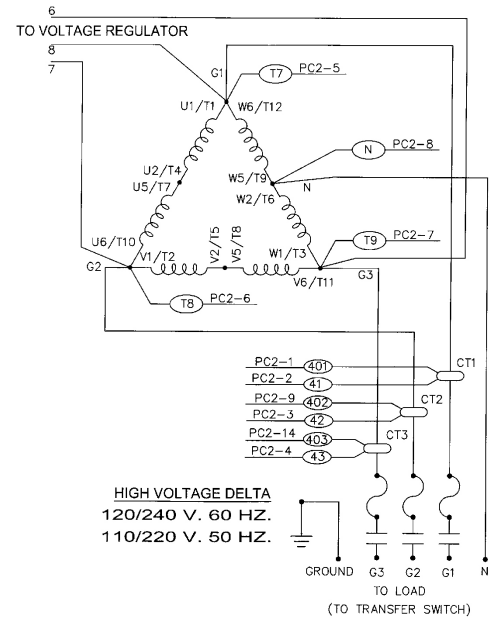
EXPECTED RESISTANCE (Ω)@ 22°C (+/-10%)			
MODEL	UCI224F LEAD 4	UCI224F1L 12 LEAD	UCI224F 12 LEAD
STATOR WINDING (LEAD TO LEAD)	.012	.033	.051
ROTOR WINDING	.83	.83	.83
EXCITER STATOR	20	20	20
EXCITER ROTOR (LEAD TO LEAD)	.156	.156	.156
PMG STATOR (LEAD TO LEAD)	3.8	3.8	3.8

Generator Connections

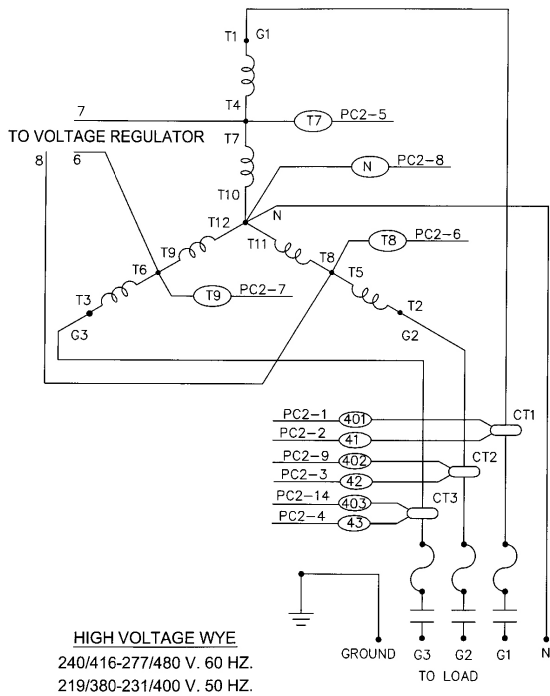
SINGLE PHASE 120/240 VOLTS



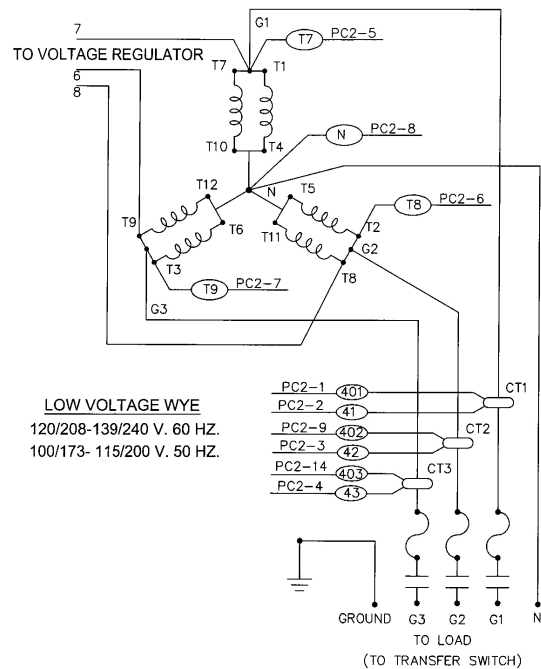
THREE PHASE -DELTA 120/240 VOLTS



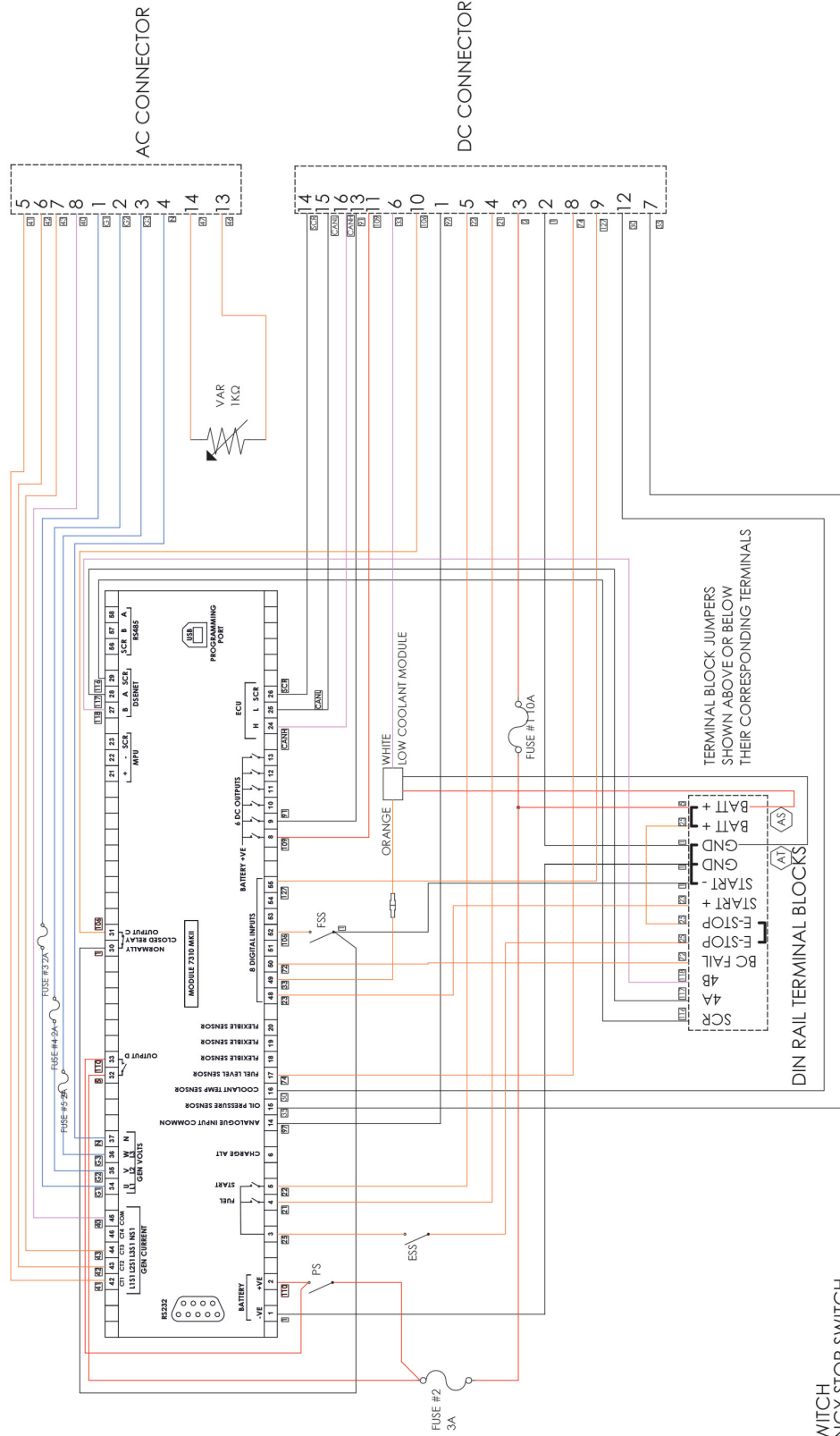
THREE PHASE-HIGH WYE 277/480 VOLTS



THREE PHASE-LOW WYE 120/208 VOLTS



Generator Control Schematic



LEGEND:
 PS: POWER SWITCH
 ESS: EMERGENCY STOP SWITCH
 FSS: FUEL SELECTION SWITCH
 VAR: VOLTAGE ADJUSTMENT RHEOSTAT

Engine Wiring Schematic

