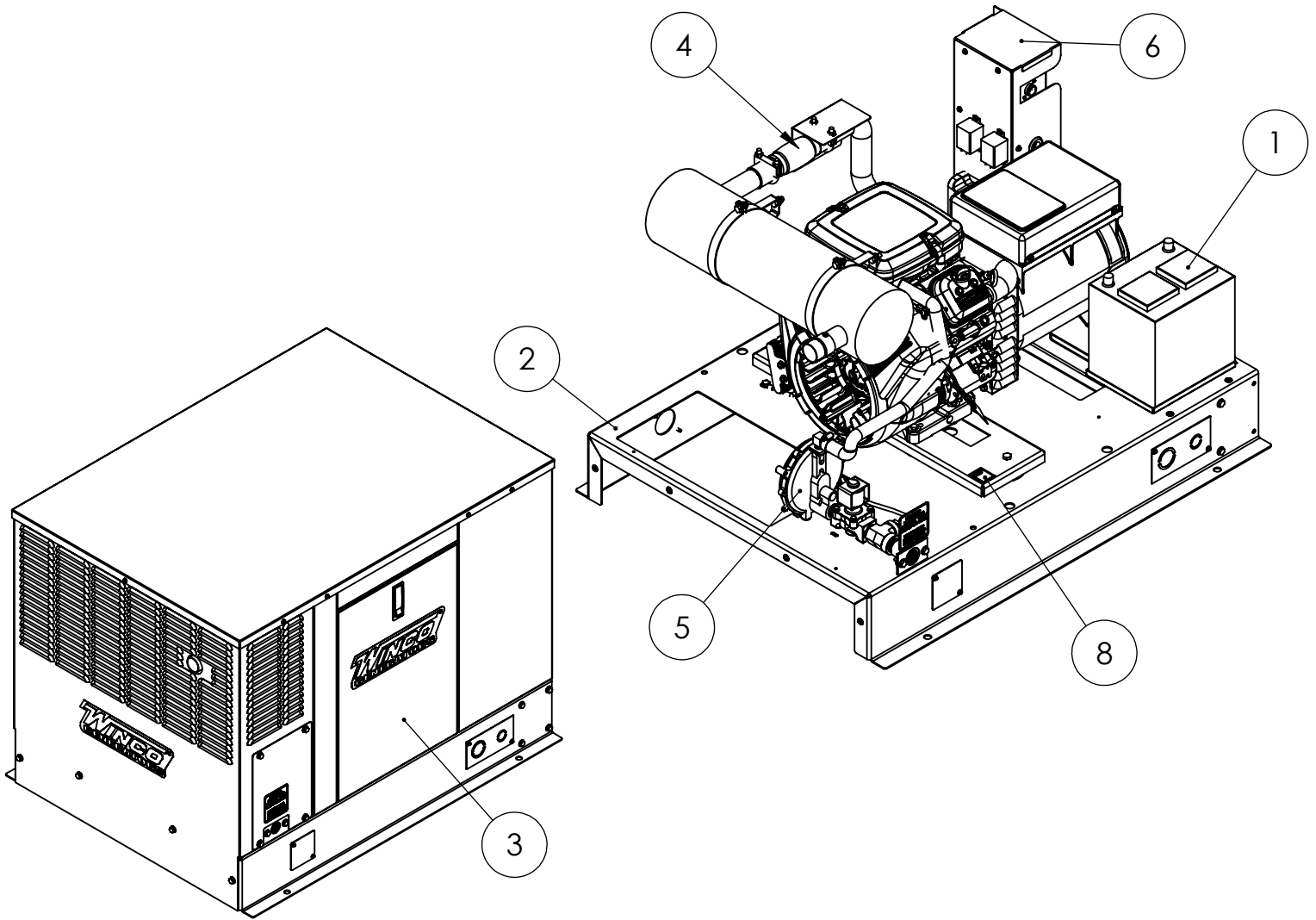


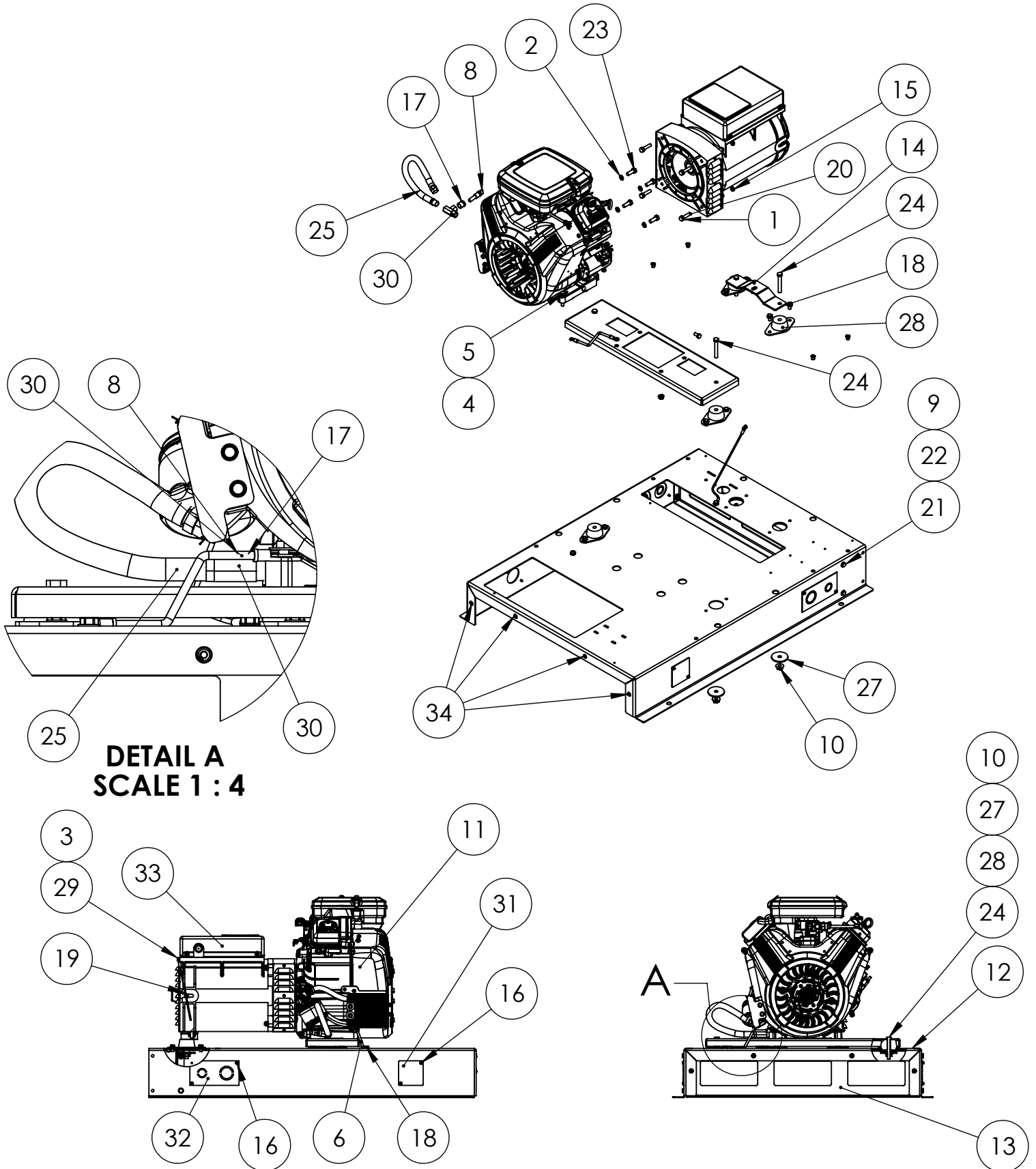
WINCO Service
Phone: 507-357-6831
Email: service@wincogen.com
www.wincogen.com

General Assembly



ITEM NO.	PART NUMBER	DESCRIPTION	QTY.
1	16328-005	BATTERY INSTALL	1
2	16391-013	ENG_GEN_BASE ASSY	1
3	16393-016	HOUSING ASSY	1
4	16394-005	EXHAUST SYSTEM INSTALL	1
5	16397-012	PSS12 FUEL SYSTEM INSTALL	1
6	16477-014	CONTROL TOWER INSTALL	1
7	60710-018	OIL WARNING TAG	1
8	300375	DECAL-FUEL SELECTION	1
9	15715-081	DECAL AND NAMEPLATE INSTALLATION PSS UNITS	1
10	15715-098	DECAL KIT, PACKAGING, AC PSS STYLE, STACK 2	1
11	300515-30	5W-30 OIL PER GALLON	0.45

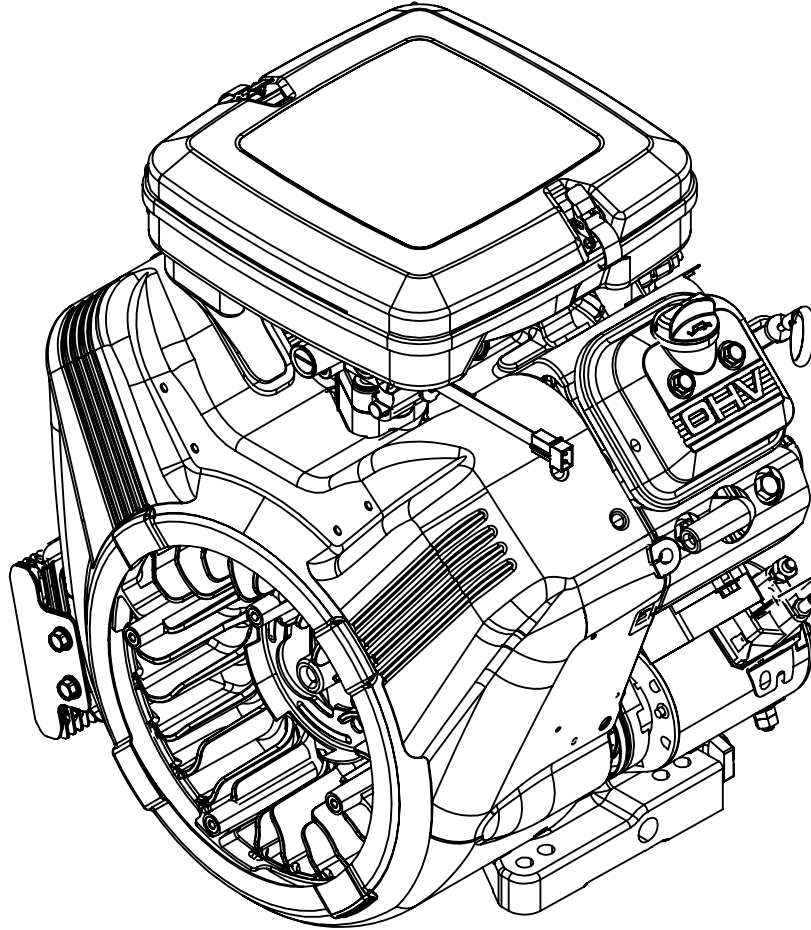
Engine And Generator Assembly



Engine And Generator Assembly

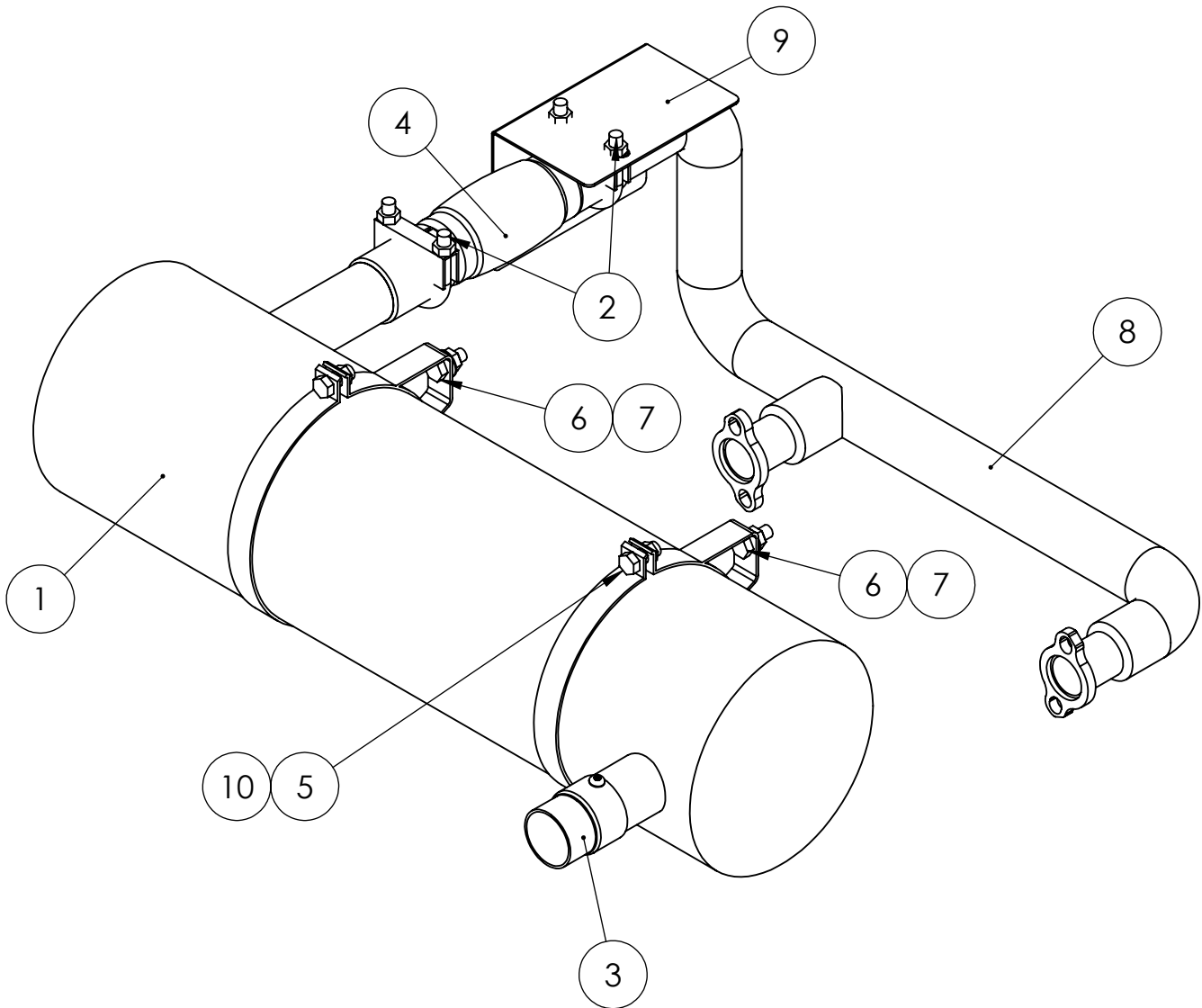
ITEM NO.	PART NUMBER	DESCRIPTION	QTY.
1	480-000	5/16 SPLIT LOCKWASHER	4
2	481-000	LOCK .375 SPLIT	4
3	484-000	LOCKWASHER #10 SPLIT	1
4	526-000	5/16 FLAT WASHER	4
5	9416-000	HHCS .3125-18X1.75 GR5	4
6	9769-165	LEADWIRE ASSEMBLY (GROUND)	1
7	15636-006	ENGINE SUPPORT	1
8	15808-000	TEMPERATURE SWITCH 320R	1
9	16248-000	.25-20 FLANGE NUT	4
10	16250-000	.375-16 FLANGE NUT	5
11	16288-005	ENGINE B&S 389447-1215-E1	1
12	16406-017	BASE	1
13	16406-018	GEN END SUPPORT	1
14	16430-002	GENERATOR SUPPORT	1
15	16446-000	M8-1.25 NYLOCK	4
16	21698-001	TORX PAN HEAD SCREW #10	8
17	56348-000	FITTING, REDUCER, 3/8 X 1/4	1
18	62173-001	SELF TAP.SC. 5/16-18X.5	10
19	64903-004	LEAD WIRE ASSEMBLY	1
20	64908-001	HHCS M8-1.25X35MM 8.8GR ZINC	4
21	65000-001	.25-20X.75 SS HHCS	4
22	65005-000	.25 WASHER SS	4
23	91658-001	.375 - 16 X1 HHB	5
24	91658-007	3/8-16X2.5	4
25	93079-004	OIL DRAIN HOSE 26INCH .375NPT	1
26	96002-016	M8-1.25X16MM	1
27	98806-000	WASHER .406 X 2	4
28	98807-000	SHOCKMOUNT 40 DURO	4
29	98997-010	HHCS M5X10mm	1
30	99967-000	STREET TEE FITTING	1
31	300385-6	LIFTING EYE COVER	2
32	300385-7	LIFTING EYE COVER	2
33	351836-1	GEN END-12.0kW	1
34	352125-1	1/4-20 RIVET NUT 22 GA-10GA	8
35	16249-000	.3125-18 FLANGE	4

Engine



ITEM NO.	PART NUMBER	DESCRIPTION	QTY
1	2-107	AIR FILTER	1
2	2-123	AIR PRE-FILTER	1
3	2-105	OIL FILTER	1
4	300515-31	ENGINE OIL	2 qts
5	2-145	SPARK PLUG	2
7	2-132	STARTER MOTOR	1
8	2-135	STARTER SOLENOID	1
9	2-122	RECTIFIER REGULATOR	1
10	2-129	OIL PRESSURE SWITCH	1
<p>Contact WINCO service or your Briggs and Stratton dealer for full engine part support.</p>			

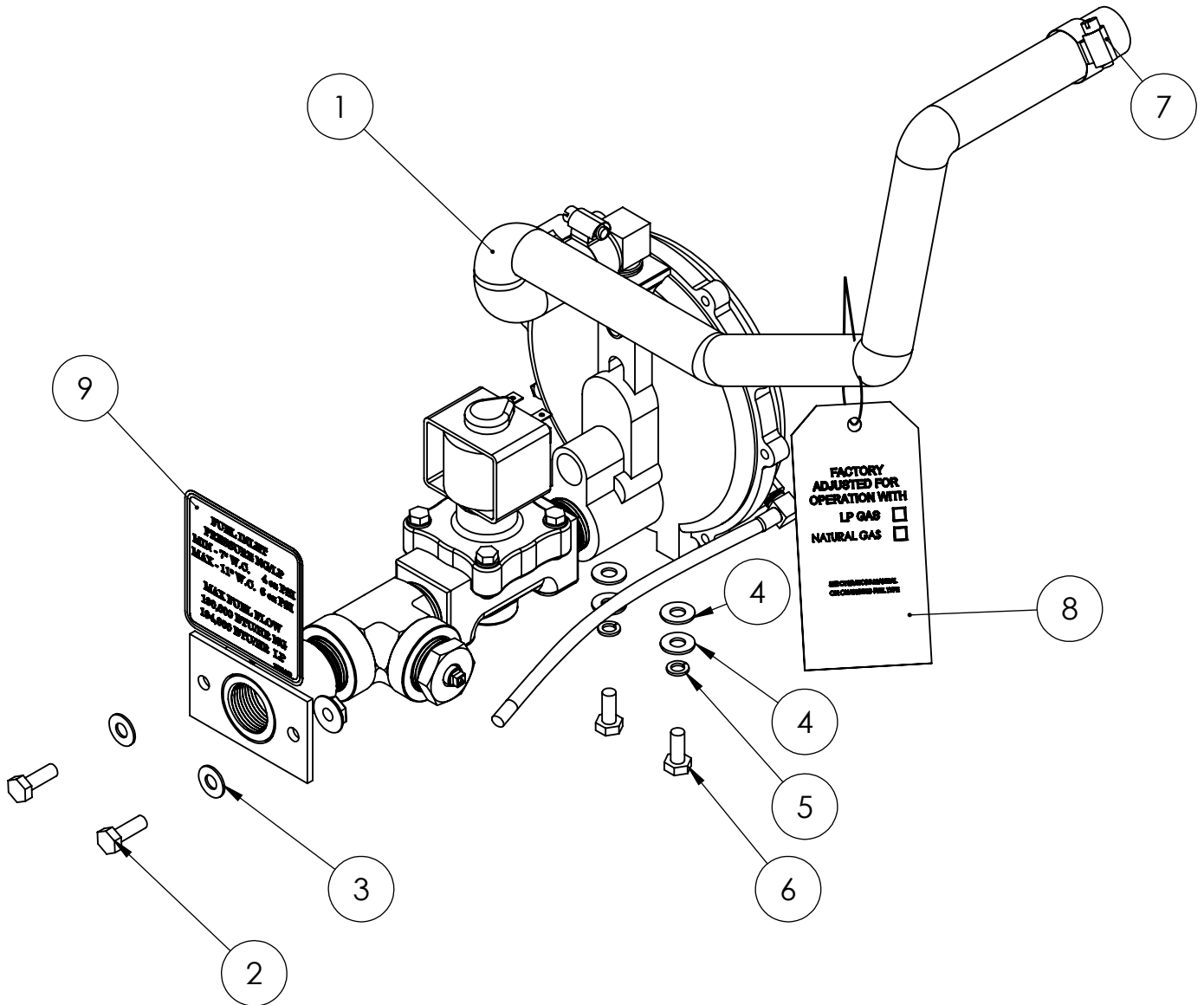
Exhaust Assembly



ITEM NO.	PART NUMBER	DESCRIPTION	QTY.
1	350590-9	MUFFLER 6IN DIA PSS12	1
2	93489-015	1.5ID EXHAUST CLAMP	2
3	16237-001	SPARK ARRESTOR	1
4	16246-002	FLEX 1.5OD IN AND OUT	1
5	350264-18	6IN MUFFLER BRACKET	2
6	467-000	.3125-18X.75 HHB	4
7	16249-000	.3125-18 FLANGE	4
8	16247-010	MANIFOLD ASSEMBLY, B&S PSS12	1
9	15687-082	HEAT SHIELD	1
10	479-000	LOCK WASHER, .25" SPLIT	2
11	21698-001	TORX PAN HEAD SCREW #10	1

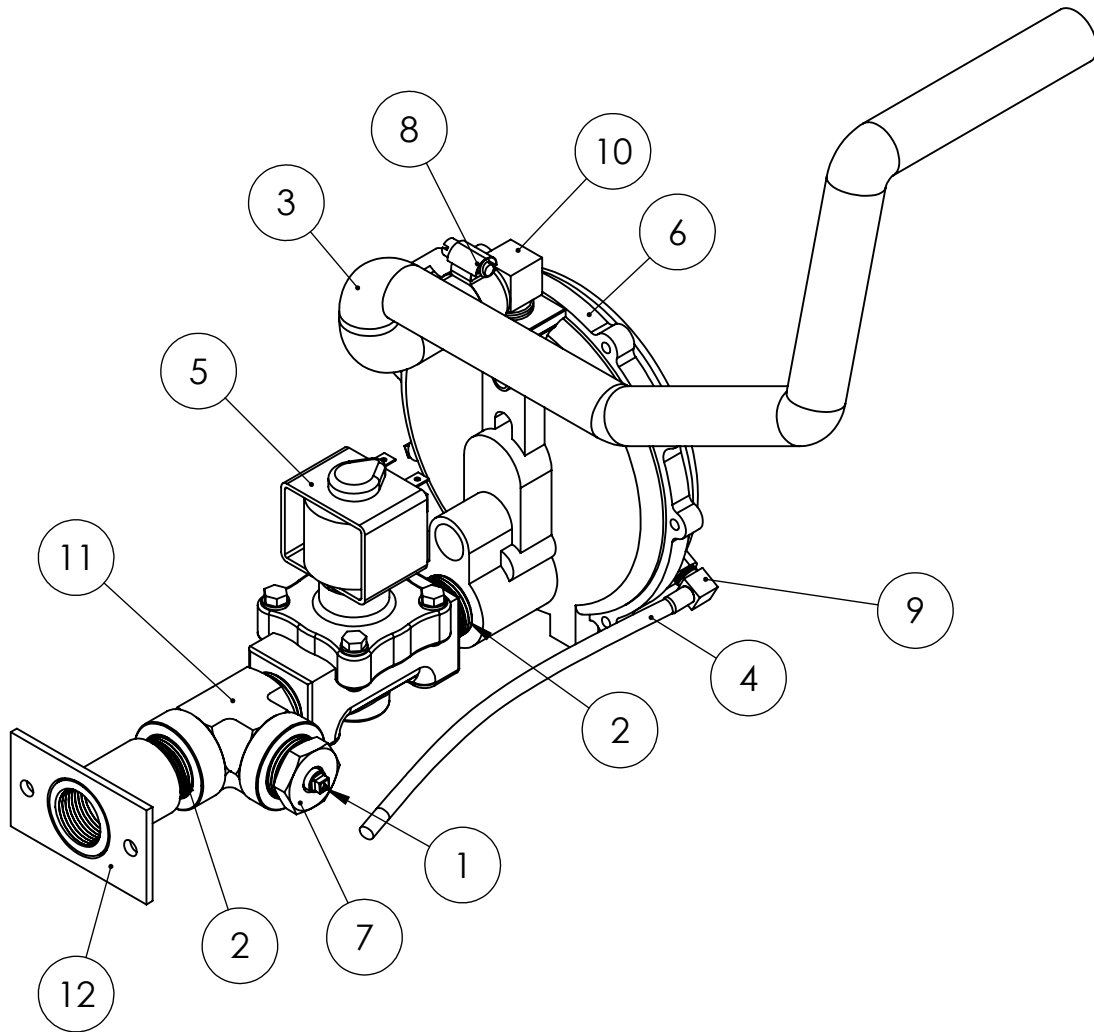


Fuel System



ITEM NO.	PART NUMBER	DESCRIPTION	QTY.
1	64842-020	FUEL REGULATOR ASSEMBLY	1
2	65000-001	.25-20X.75 SS HHCS	2
3	65005-000	.25 WASHER SS	2
4	512-000	.25 WASHER	4
5	479-000	LOCK WASHER, .25" SPLIT	2
6	476-000	.25-20X.625 HHB	2
7	81018-005	HOSE CLAMP 1.0625-.500	1
8	22807-000	FUEL TAG	1
9	15210-018	FUEL PRESSURE DECAL PSS12	1
10	16248-000	.25-20 FLANGE NUT	2

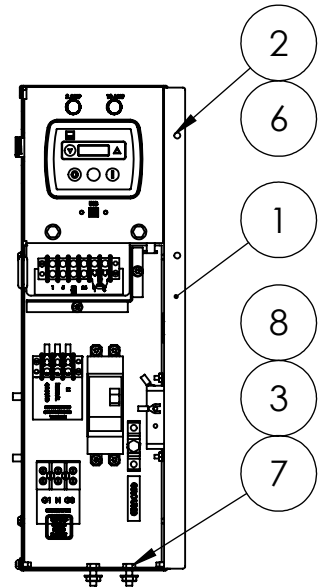
Fuel Regulator Assembly



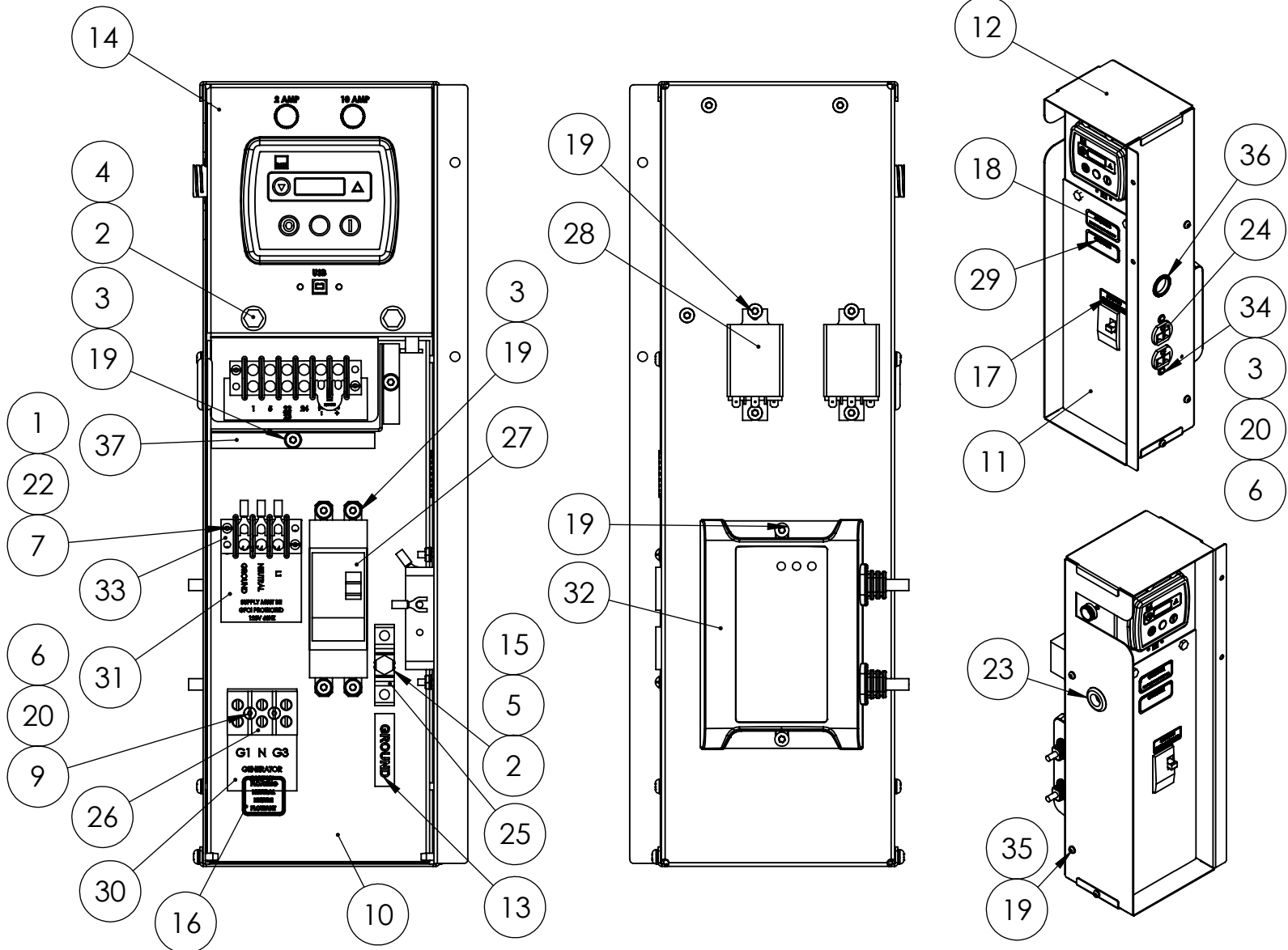
ITEM NO.	PART NUMBER	DESCRIPTION	QTY.
1	644-000	PIPE PLUG .125	2
2	22626-000	PIPE NPL 3/4NPTXCLOSE (1-1/8)	2
3	23048-024	FLEXIBLE HOSE	1
4	40078-004	HOSE .25IN ID RUBBER 11IN	1
5	42942-000	SOLENOID, GAS VALVE, 12VDC, 3/4NPT	1
6	55559-002	REGULATOR, IMPCO KN	1
7	63788-001	HEX REDUCER BUSHING 3/4 NPT M X 1/8 NPT F	1
8	81018-005	HOSE CLAMP 1.0625-.500	1
9	81827-001	1/8" HB 90 DEG	1
10	92382-004	HOSE FIT.EL. 3/8NPT 1/2IN HOSE	1
11	94907-002	PIPE TEE .75X.75X.75 NPT F-F-M	1
12	99085-013	FUEL INLET ASSEMBLY	1
13	16447-015	FUEL SOLENOID HARNESS	1

Control Tower Installation

ITEM NO.	PART NUMBER	DESCRIPTION	QTY.
1	15757-040	CONTROL TOWER ASSEMBLY	1
2	95568-000	THREAD STUD 10-24 X .625	2
3	512-000	.25 WASHER	2
4	23296-170	LEAD WIRE	1
5	15757-042	DC HARNESS	1
6	99671-000	#10-24 HEX NUT	2
7	466-000	.25-20X.75 HHB	2
8	16248-000	.25-20 FLANGE NUT	2



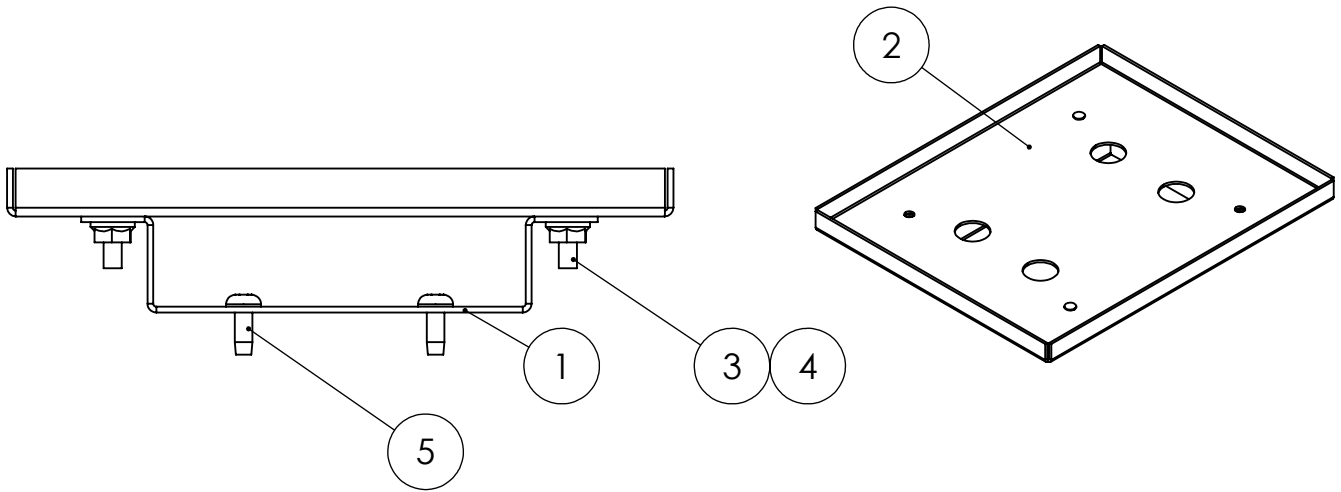
Control Tower Assembly



Control Tower Assembly Continued.

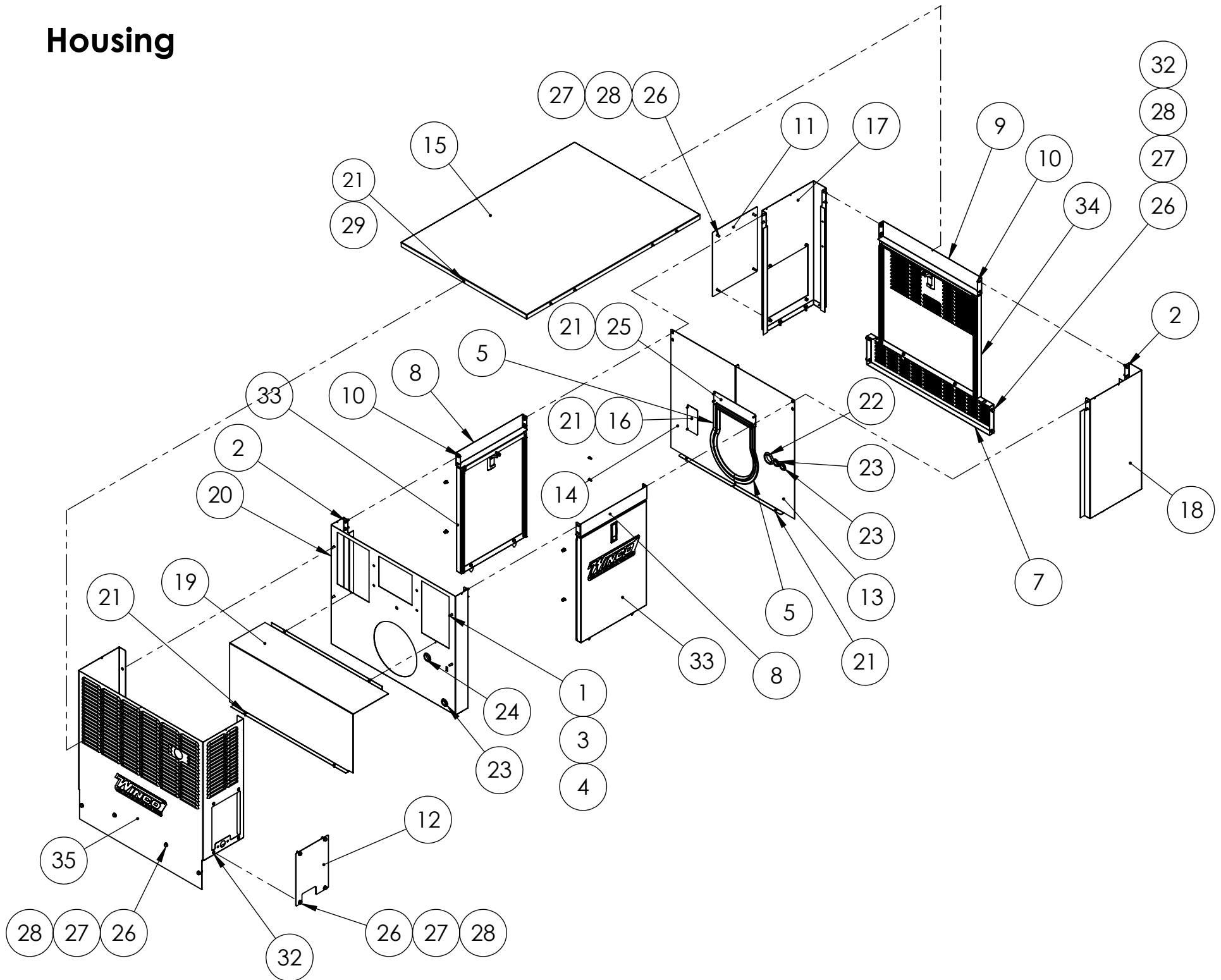
ITEM NO.	PART NUMBER	DESCRIPTION	QTY.
1	394-000	NUT HEX #6-32	2
2	466-000	.25-20X.75 HHB	3
3	511-000	#8 FLAT WASHER	8
4	512-000	.25 WASHER	2
5	4516-000	LOCKWASHER 1/4 EXTERNAL TOOTH	1
6	5113-000	NUT HEX # 8	4
7	7792-000	RHMS 6-32 X .625	2
8	9700-003	A.C. LEAD WIRE ASSEMBLY, PSS12	1
9	10846-000	RHMC 8-32 X 1.5	2
10	15666-008	MLCB PANEL	1
11	15666-014	MLCB COVER	1
12	15667-021	TOWER	1
13	15750-000	GROUND DECAL (WHITE LETTERS)	1
14	15764-018	ENGINE CONTROL ASSY 2-WIRE	1
15	16248-000	.25-20 FLANGE NUT	1
16	16501-000	DECAL-FLOATING NEUTRAL	1
17	16502-001	DECAL-AC POWER DISCONNECT	1
18	16503-000	DECAL-COPPER CONDUCTORS ONLY	1
19	21698-001	TORX PAN HEAD SCREW #10	21
20	21976-000	#8 LOCKWASHER EXTERNAL TOOTH	4
21	22370-035	TERM SPADE, 22-18AWG, #10 STUD	6
22	22989-000	#6 LOCKWASHER	2
23	23917-000	GROMMET .6875ID X 1	1
24	24749-000	RECEPTACLE NEMA 5-15R DUPLEX	1
25	48042-000	TERMINAL, GROUND LUG, 4-14 AWG	2
26	51795-000	3 PT TERMINAL BLOCK	1
27	57030-000	CIR. BRK. 50A-2PL-240V	1
28	59944-002	RELAY, 120VDC, SPDT, 10AMP, FLANGE MOUNT	2
29	63941-005	DECAL-CIRCUIT REMAINS ENERGIZED	1
30	64576-005	DECAL-GENERATOR OUTPUT	1
31	64576-006	DECAL-GFCI PROTECTED UTILITY	1
32	72036-022	BATTERY CHARGER, 12VDC, 1.5AMP, GUEST 2701A	1
33	80623-005	TERMINAL BLOCK, 3PT, 20A	1
34	94000-000	RHMS 8-32X1/2	2
35	96286-002	FLAT WASHER NYLON	13
36	99280-001	CONTINUOUS GROMMET	1
37	300309-3	DC BOX	1

Battery Installation

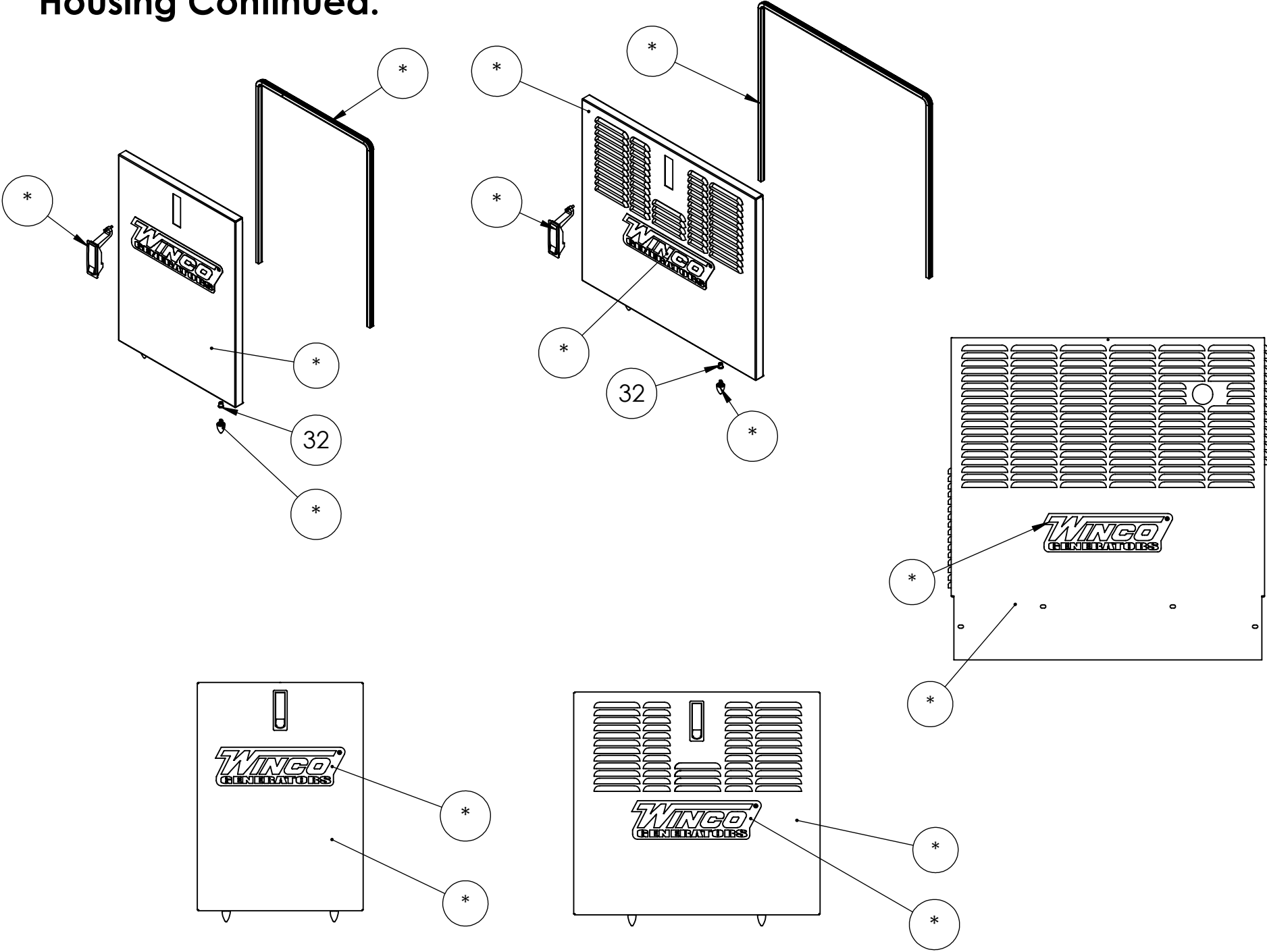


ITEM NO.	PART NUMBER	DESCRIPTION	QTY.
1	300430-4	BATTERY RISER	1
2	300430-5	BATTERY TRAY	1
3	95568-000	THREAD STUD 10-24 X .625	2
4	99671-000	#10-24 HEX NUT	2
5	21698-001	TORX PAN HEAD SCREW #10	4

Housing



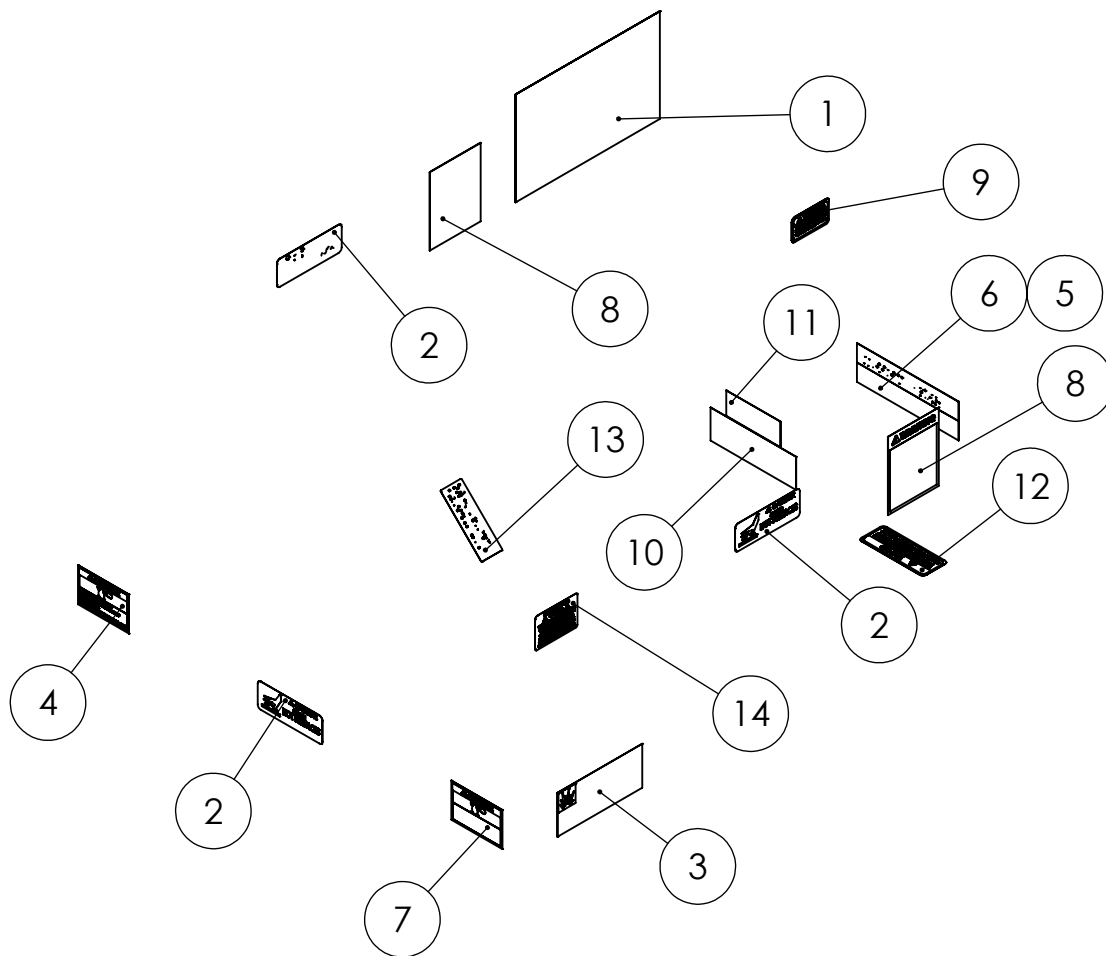
Housing Continued.



Housing Continued.

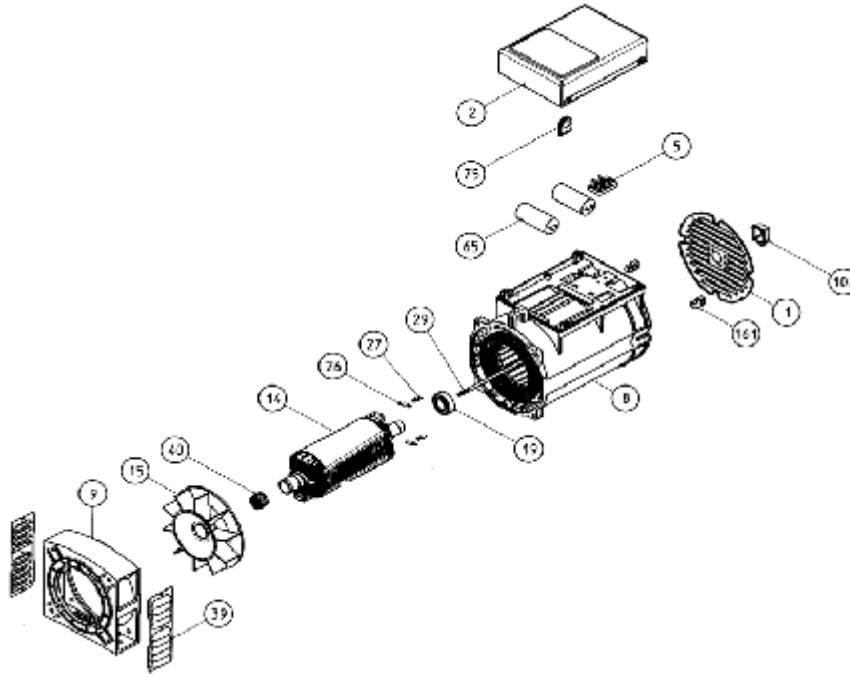
ITEM NO.	PART NUMBER	DESCRIPTION	QTY.
1	466-000	.25-20X.75 HHB	10
2	476-000	.25-20X.625 HHB	12
3	479-000	LOCK WASHER, .25" SPLIT	10
4	512-000	.25 WASHER	14
5	15287-001	AIR SEAL 15.5"	2
6	15287-018	AIR SEAL 8.25"	1
7	15671-012	BACK BOTTOM	1
8	15681-026	SIDE SILL	2
9	15681-027	REAR SILL	1
10	16248-000	.25-20 FLANGE NUT	12
11	16414-017	ACCESS COVER	1
12	16414-018	REGULATOR ACCESS	1
13	16416-005	LT. GENERATOR PARTITION	1
14	16417-005	RT. GENERATOR PARTITION	1
15	16422-013	ROOF	1
16	16440-002	HEATER HOLE COVER	1
17	16464-012	BACK RIGHT CORNER	1
18	16464-013	BACK LEFT CORNER	1
19	16473-007	ENGINE COOL AIR PARTITION	1
20	16473-015	FRONT DIVIDER	1
21	21698-001	TORX PAN HEAD SCREW #10	24
22	23917-004	GROMMET 1.5" ID	1
23	23917-000	GROMMET .6875ID X 1	3
24	62486-000	GROMMET 1 X 1.375	1
25	64916-002	PLATE, GENERATOR TOP	1
26	65000-001	.25-20X.75 SS HHCS	16
27	65003-000	SS LOCK WASHER ID.25 OD.475 TH.07	16
28	65005-000	.25 WASHER SS	16
29	96286-002	FLAT WASHER NYLON	10
30	97290-001	REFLECTIVE FOAM KIT	1
31	99789-018	PSS12 FOAM KIT	1
32	352125-1	1/4-20 RIVET NUT 22 GA-10GA	16
33	99998-655	LEFT SIDE DOOR	2
34	16360-038	REAR DOOR	1
35	16414-019	FRONT	1

Decal Kit



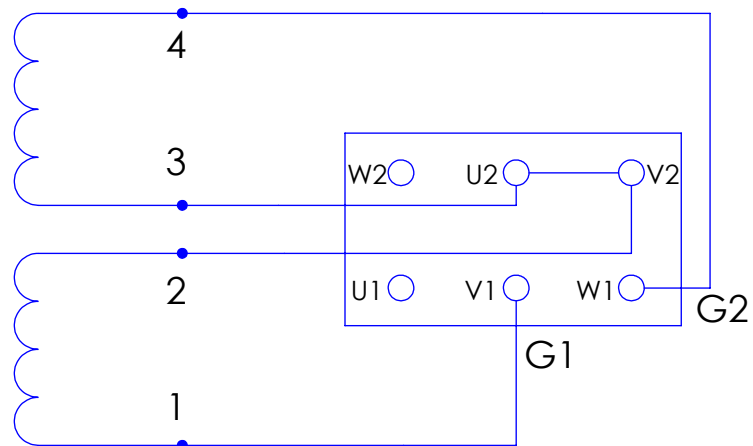
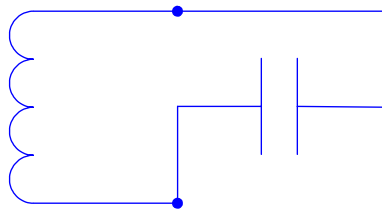
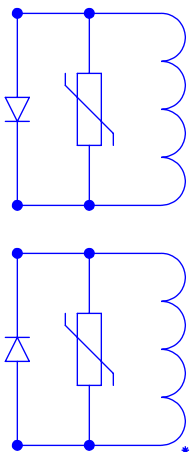
ITEM NO.	PART NUMBER	DESCRIPTION	QTY.
1	63966-005	KIT, NAMEPLATE WINCO	1
2	63941-001	DECAL - HOT SURFACES	3
3	15209-004	DECAL WARNING LABEL JACK	1
4	15209-002	DECAL - DANGER CARBON MONOXIDE	1
5	15209-003	UL-DECAL ELECTRICAL SHOCK CAN KILL	1
6	15209-103	UL-DECAL ELECTRICAL SHOCK CAN KILL	1
7	15209-102	DECAL - DANGER CARBON MONOXIDE	1
8	97813-000	DECAL-WARNING CYCLE CRANK	2
9	63941-004	DECAL FUSE WARNING (ENGLISH)	1
10	15849-000	DECAL-STAND-BY SERVICE	1
11	64891-001	DECAL-CSA, SEPARATE PROTECTION	1
12	63941-003	DECAL-WARNING NO SPARK	1
13	91718-000	DECAL - RFI SPARK COMPLIANCE ICES-002	1
14	15209-036	PROP 65 WARNING DECAL	1

Generator End Parts List

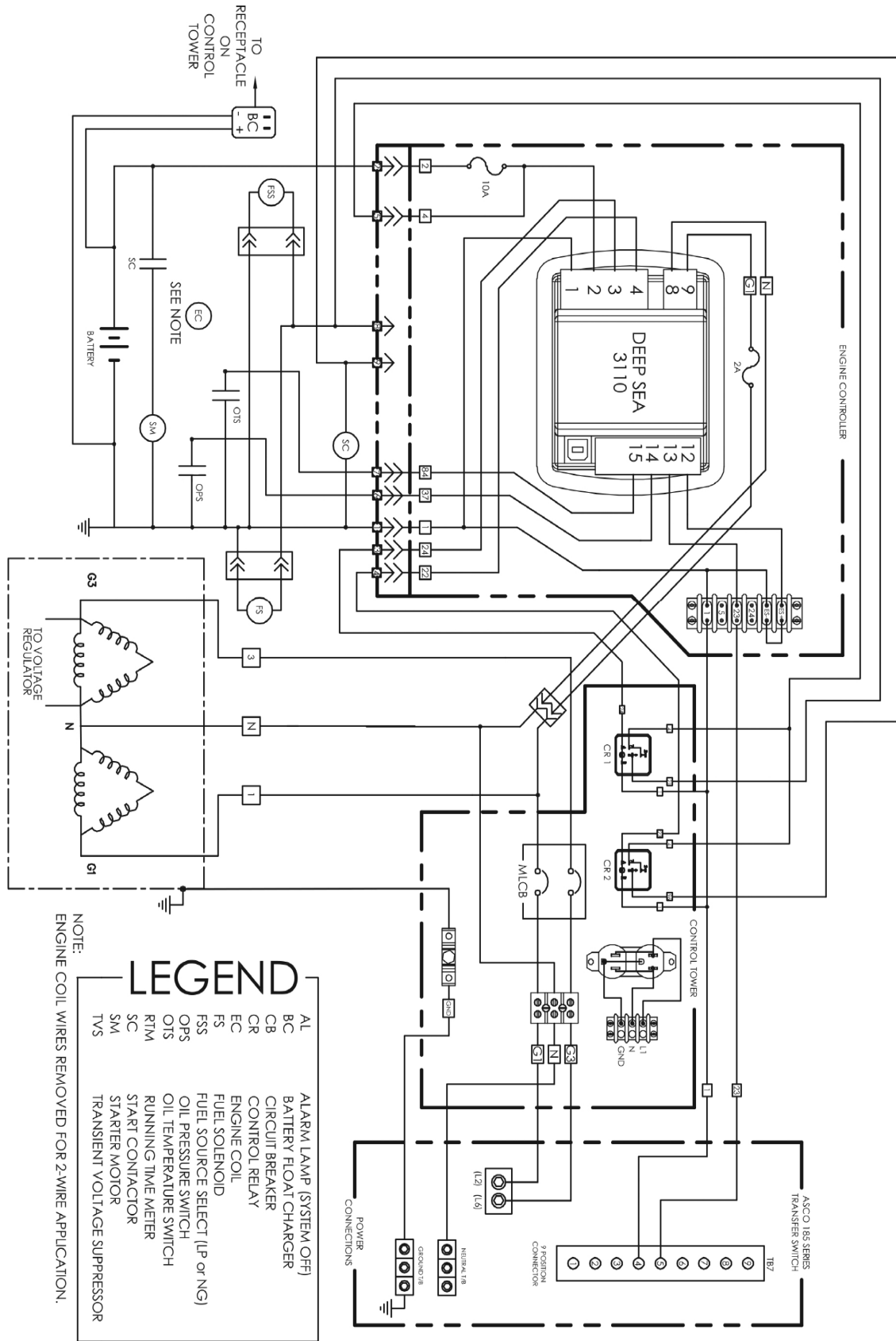


REF #	PART NUMBER	DESCRIPTION	QTY
	351836-1	COMPLETE GENERATOR ASSEMBLY	1
	300323-112	CAPACITOR	2
	300323-207	DIODES	2
	16346-106	VARISTORS	2
	54665-000	BEARING	1
	300323-110	TOLERANCE RING	1
	9-105	END VAP, PLASTIC	1
	16346-131	TERMINAL BLOCK	1
	300323-102	COVER	1

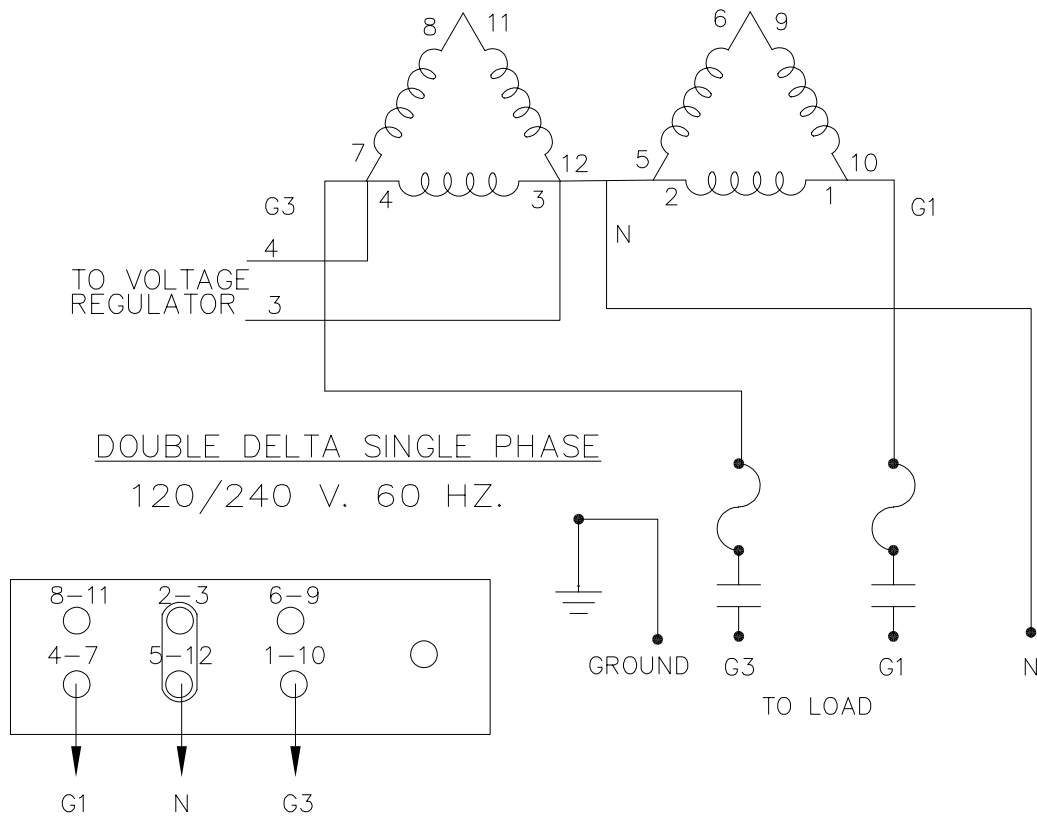
S20FS-160 Expected Resistance (Ω)		
Rotor	Stator	Excitation
6.57	0.124	0.60



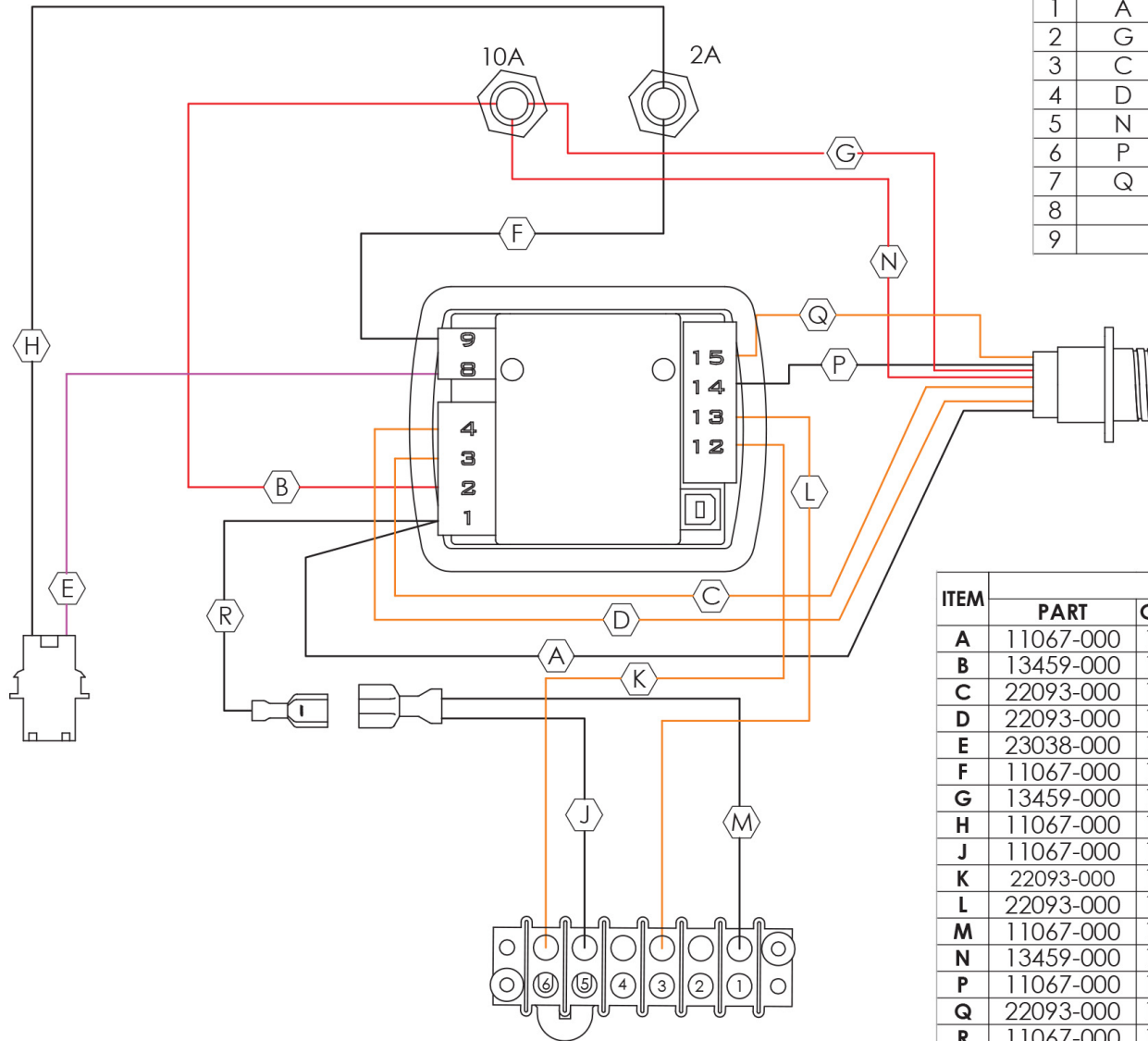
AC & DC Generator Connections



AC Wiring Schematic



Engine Control Assembly



PIN	WIRE	WIRE ID
1	A	1
2	G	2
3	C	21
4	D	22
5	N	5
6	P	37
7	Q	84
8		
9		

ITEM	LEAD WIRE			
	PART	GA	COLOR	ID
A	11067-000	18	BLACK	1
B	13459-000	18	RED	5
C	22093-000	18	YELLOW	21
D	22093-000	18	YELLOW	22
E	23038-000	18	WHITE	N
F	11067-000	18	BLACK	L1
G	13459-000	18	RED	2
H	11067-000	18	BLACK	L1
J	11067-000	18	BLACK	1
K	22093-000	18	YELLOW	25
L	22093-000	18	YELLOW	23
M	11067-000	18	BLACK	1
N	13459-000	18	RED	5
P	11067-000	18	BLACK	37
Q	22093-000	18	YELLOW	84
R	11067-000	18	BLACK	1

