



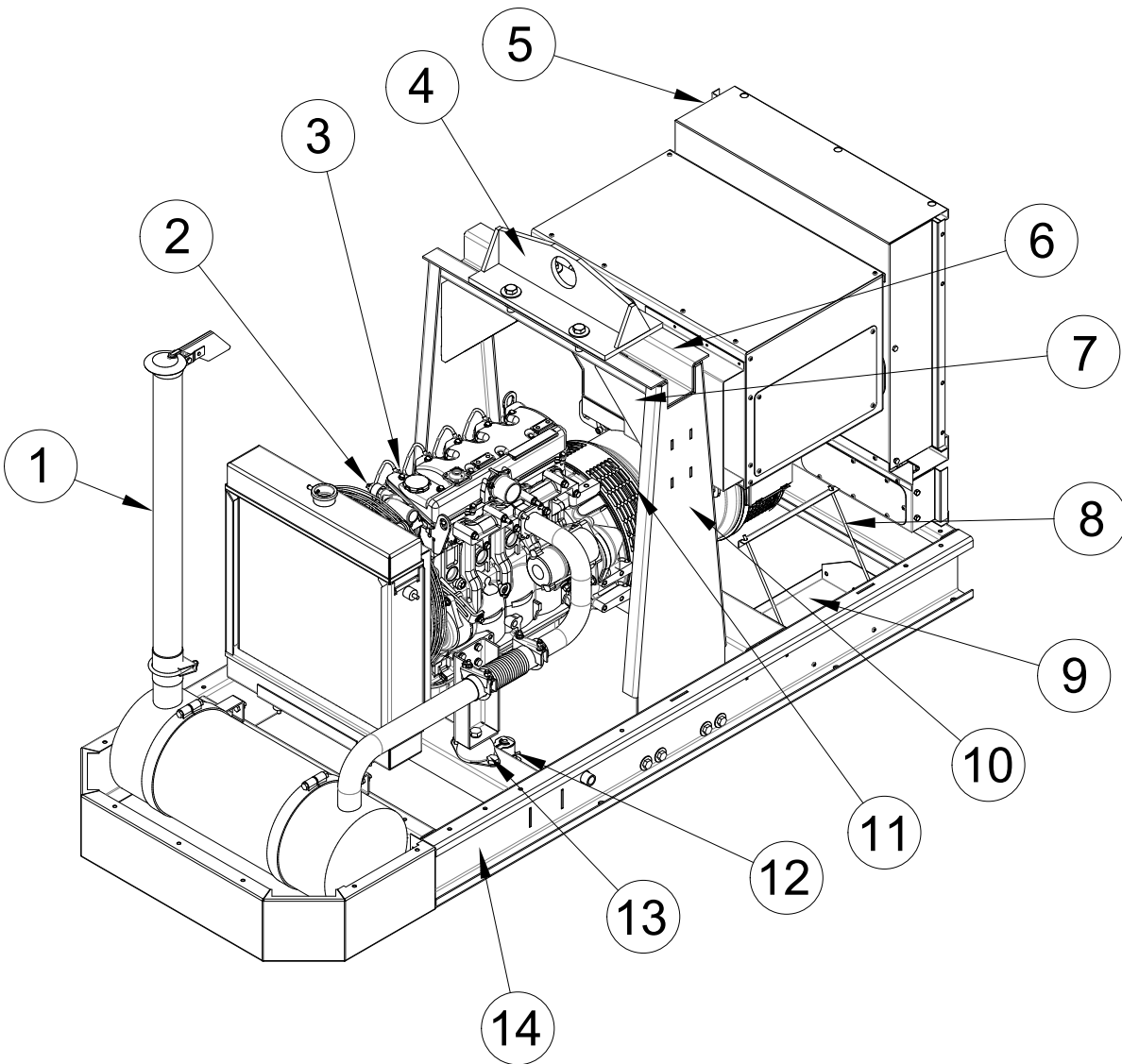
ILLUSTRATED PARTS LIST

RP25/B

WITH DSE 7310 ENGINE CONTROL

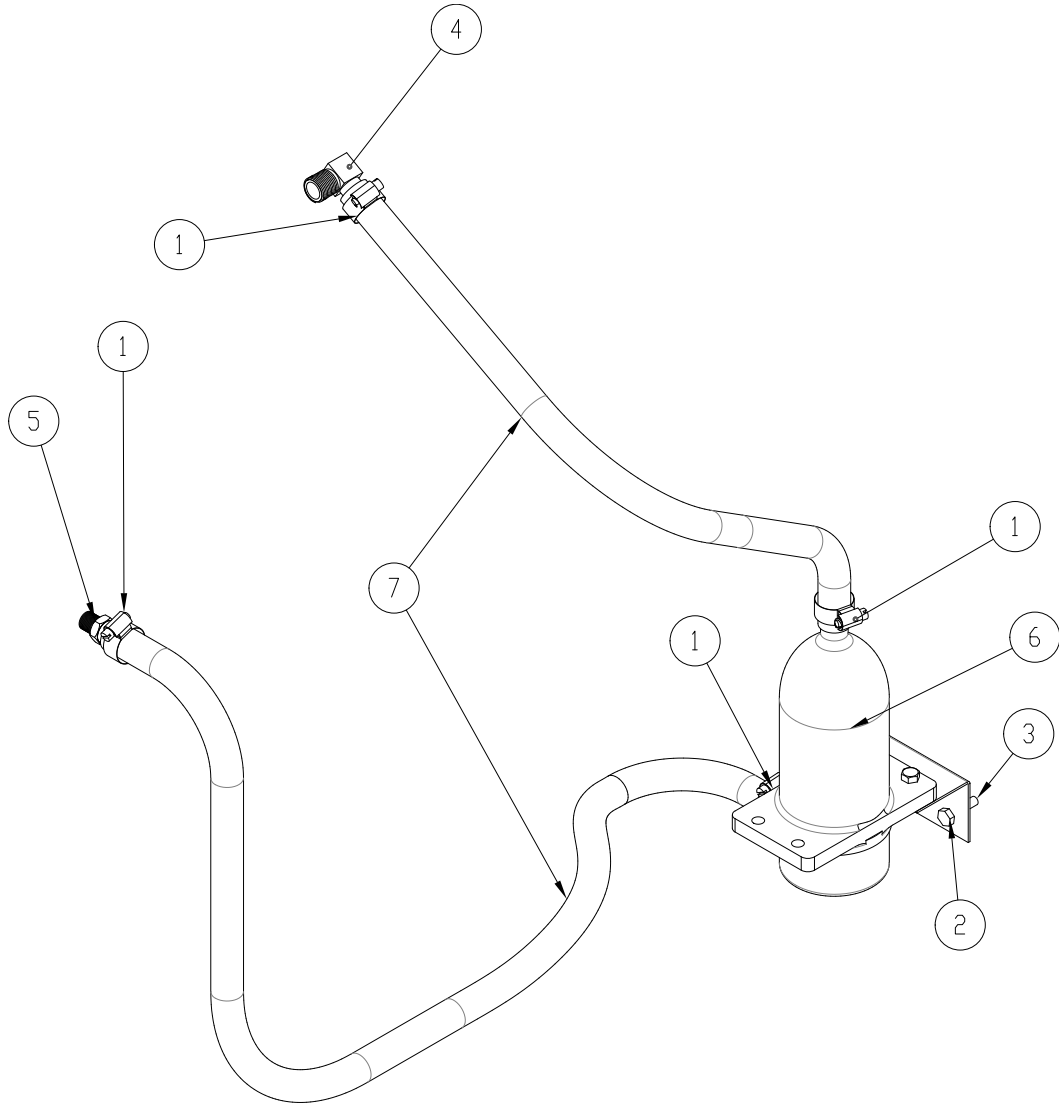
WINCO INC.
225 S. CORDOVA AVE.
LECENTER, MN 56057
507-357-6821
SERVICE DEPT.
507-357-6831
wincogen.com

ENGINE / GENERATOR ASSEMBLY



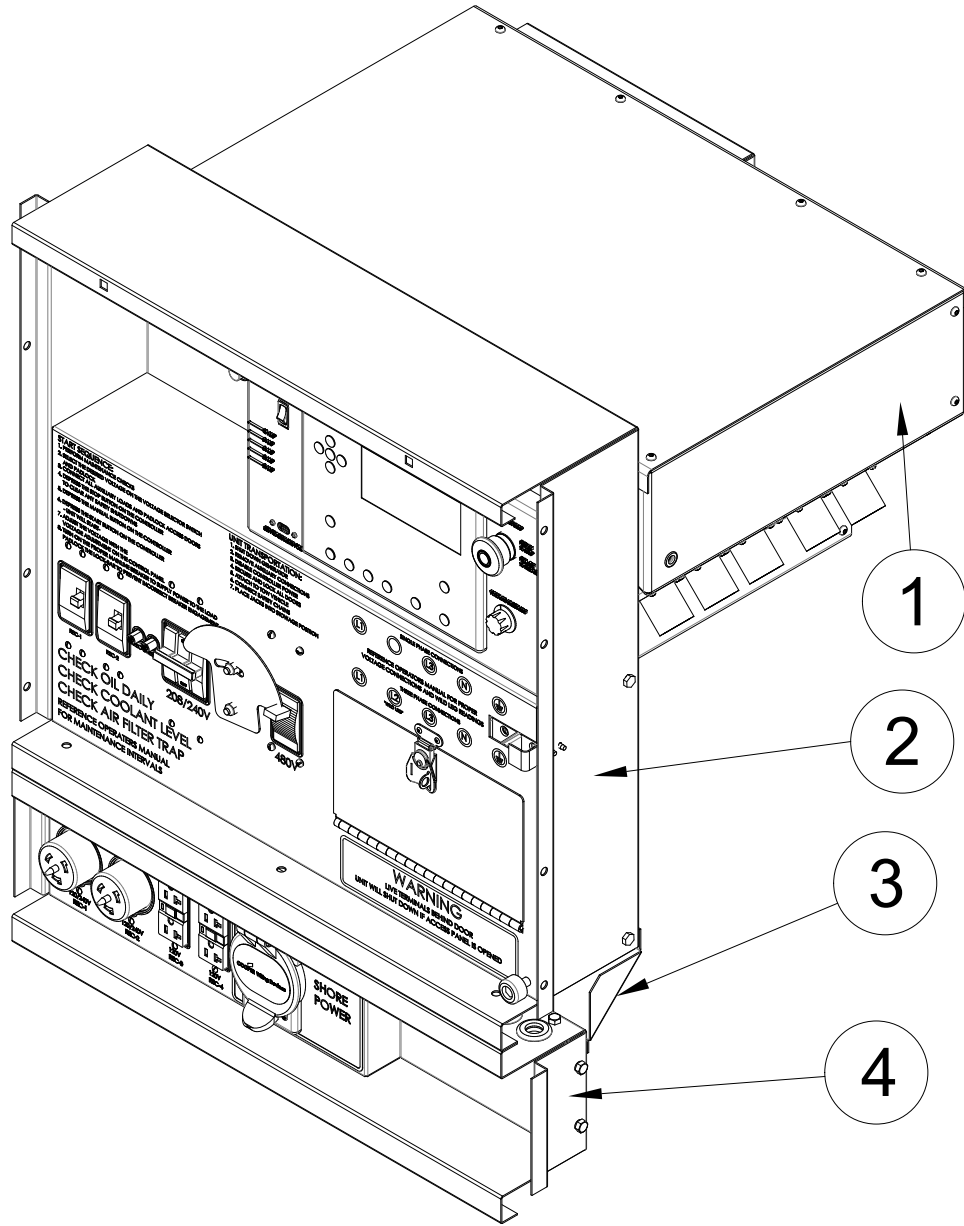
REF #	PART NUMBER	QTY	DESCRIPTION
1	Reference	1	Exhaust Assembly
2	99265-001	1	Water Temperature Sender
3	350001-76	1	Engine, Isuzu 4LE1
4	701025-315	1	Lifting Eye Assembly
5	Reference	1	Control Panel Assembly
6	701025-306S	1	Lifting Bar Cross Member
7	701025-008S	4	Lifting Bar Support Plate
8	350484-1	1	Battery Hold Down Kit
9	705025-001	1	Battery Tray
10	701025-305S	2	Lifting Bar Side Rail
11	350005-018	1	Generator, Stamford Newage PI144F1L
12	80980-000	1	Start Solenoid
13	98956-001	4	Shock Mount
14	701025-100	1	Frame Assembly
NI	99267-003	1	Oil Pressure Sender
NI	98906-012	1	Oil Drain Valve M20-1.5 x 3/8
NI	72036-015	1	Battery Charger
NI	98906-011	1	Oil Drain Valve M12-1.25 x 3/8
NI	2-9445-6641	1*	Oil Filter
NI	2-9065-4910	1*	Fuel Filter
NI	P821575	1**	Air Filter
NI	55505-000	5 Ft	3/8" Fuel Hose
NI	97381-001	1	Decal, Diesel Fuel
NI	63941-003	1	Decal, Battery Compartment
NI	97813-000	3	Decal, Auto-Start Warning
NI	97830-000	2	Decal, Block Wheel Warning
NI	97379-000	3	Decal, Jack Warning
NI	15209-000	1	Decal Set
NI	63941-001	3	Decal, Hot Surface Warning
NI	99951-000	3	Decal, Lock Doors
NI	97382-000	1	Decal, Warning
NI	Not Illustrated		
*	Isuzu Part #		
**	Donaldson Part #		

BLOCK HEATER ASSEMBLY



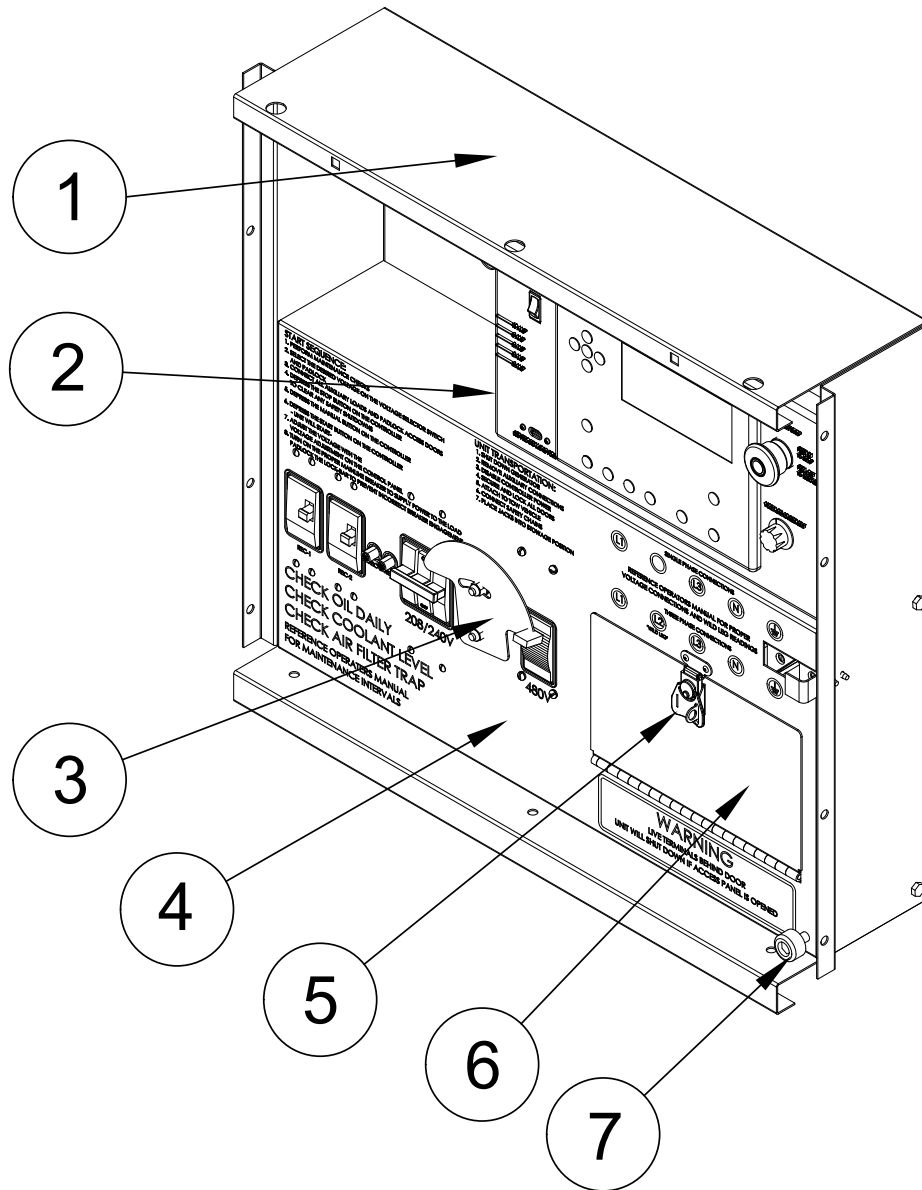
REF #	PART NUMBER	QTY	DESCRIPTION
1	81018-005	4	Hose Clamp
2	439-000	2	1/4-20 X 1" Bolt
3	16428-000	2	1/4-20 Flange Nut
4	92382-000	1	Hose Fitting Elbow
5	350341	1	Hose Fitting
6	80781-003	1	1000W 120V Tank Heater
7	93689-001	6 Ft	5/8" Heater Hose

CONTROL BOX ASSEMBLY



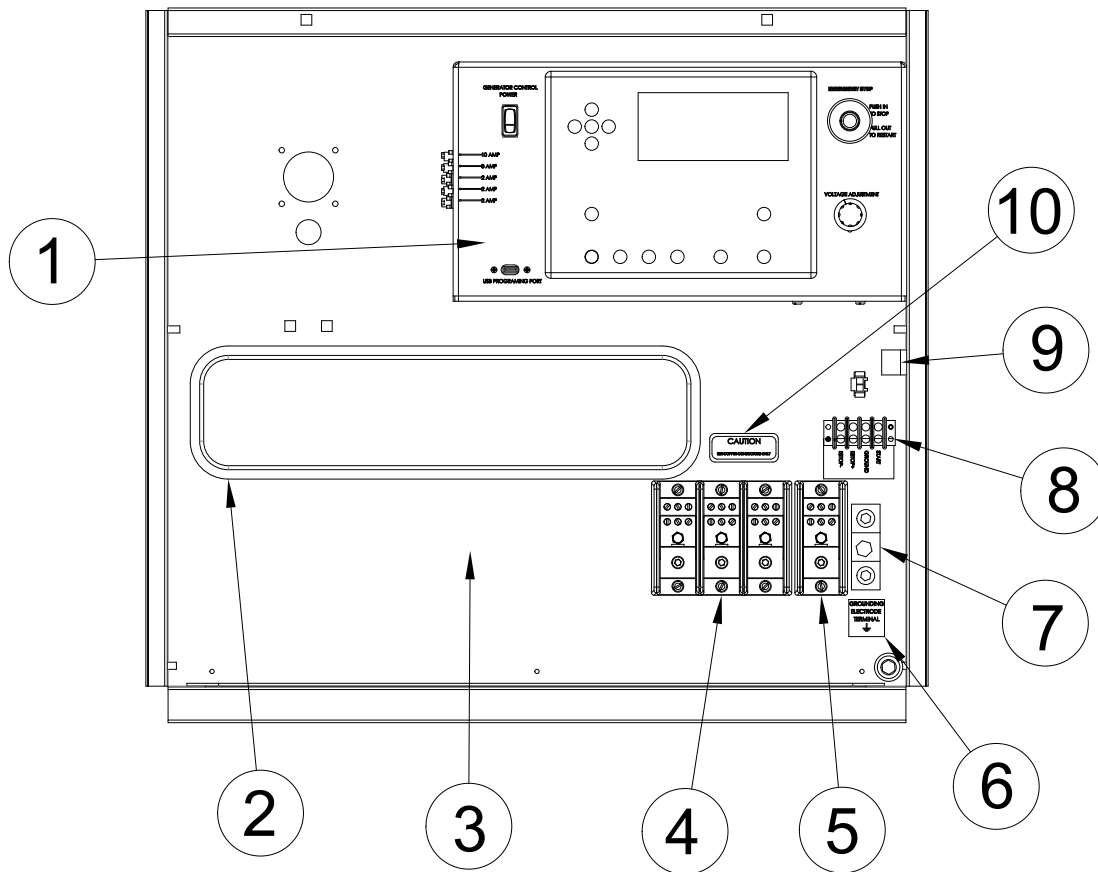
REF #	PART NUMBER	QTY	DESCRIPTION
1	702025-610	1	Switch Assembly
2	702025-005	1	Control Panel Assembly
3	702025-158	1	Protection Baffle
4	702025-605	1	Receptacle Panel Assembly
NI	710025-001	1	Generator Harness
NI	Not Illustrated		

CONTROL PANEL ASSEMBLY



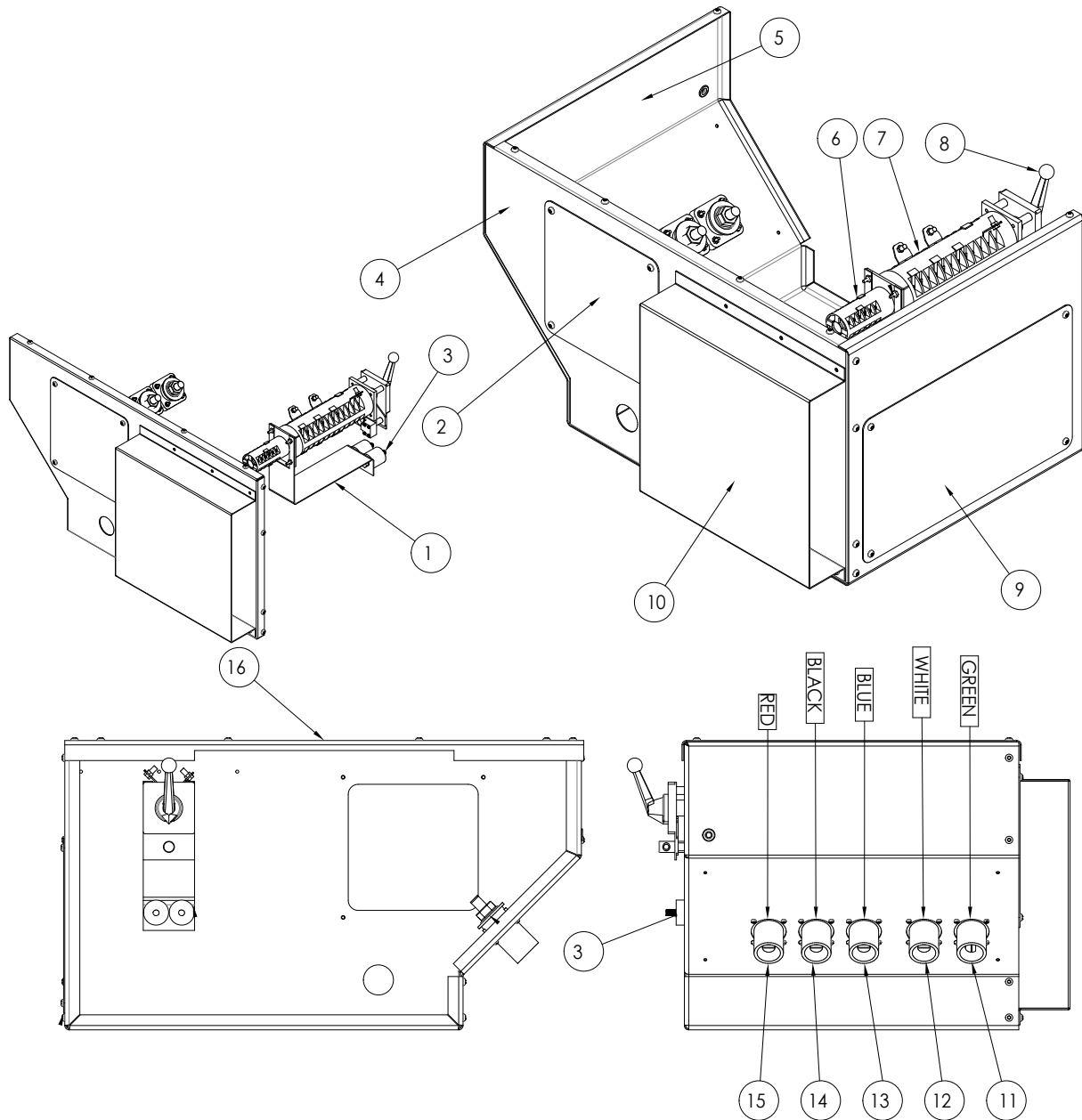
REF #	PART NUMBER	QTY	DESCRIPTION
1	702025-133S	1	Control Box Panel
2	351891-18	1	DSE7310 Control Assembly
3	702025-061S	1	Circuit Breaker Stop
4	702025-034S	1	Circuit Breaker Panel
5	99559-000	1	Rotary Action Latch
6	702025-080S	1	Terminal Block Cover Panel
7	15424-000	1	Shock Mount

CONTROL CABINET ASSEMBLY



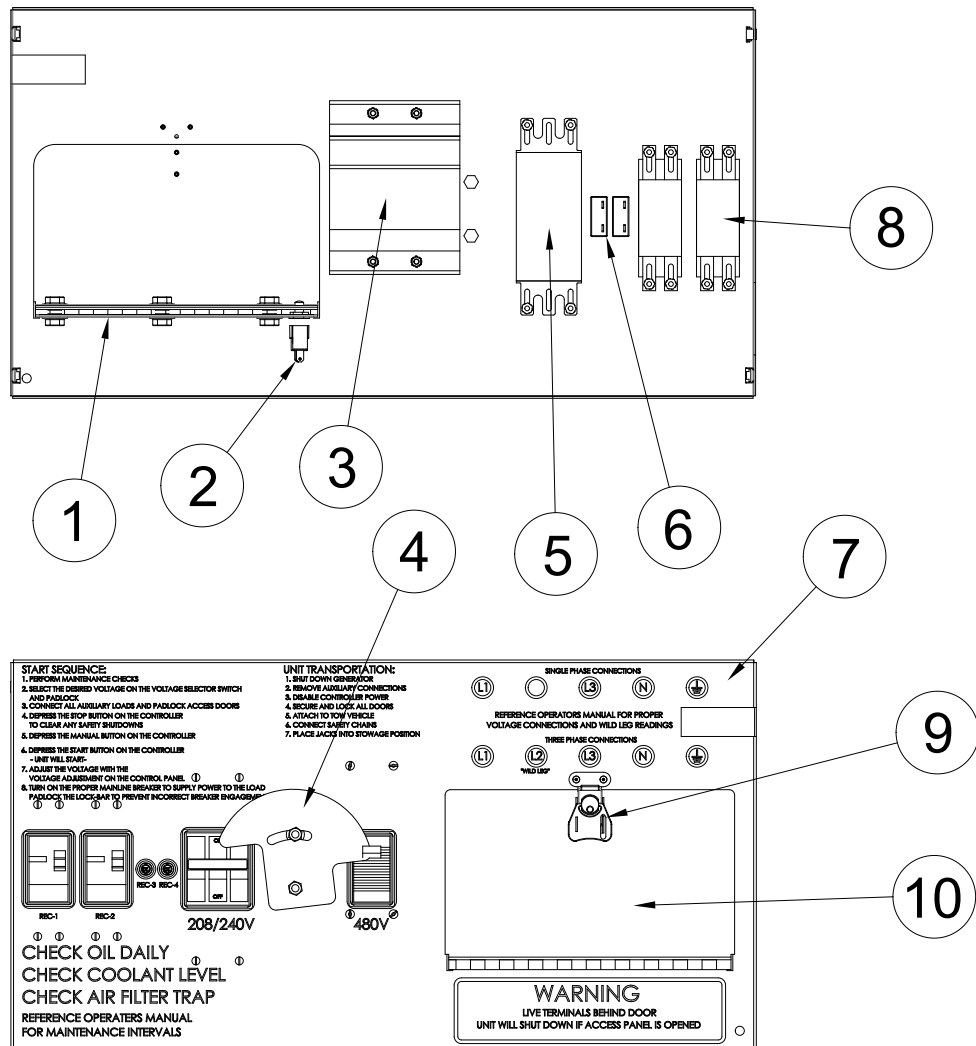
REF #	PART NUMBER	QTY	DESCRIPTION
1	351891-18	1	DSE7310 Control Assembly
2	58684-000	4 FT	Edge Trim
3	702025-025S	1	Control Box Panel
4	97753-012	1	3 Pole 195 Amp Terminal Block
5	97753-013	1	1 Pole 175 Amp Terminal Block
6	16499-000	1	Ground Decal
7	58060-000	2	Ground Lug
8	80623-005	1	DC Terminal Block
9	774025-093	1	Door Stop
10	16503-000	1	Caution Copper Only Decal
NI	59944-017	2*	DPDT 10 Amp Relay
NI	99958-000	1	DC Terminal Block Decal
NI	15424-000	1	Shock Mount
NI	23917-000	1	Grommet
NI	Not Illustrated		
*	Relays used on Rev E		

SWITCH ASSEMBLY



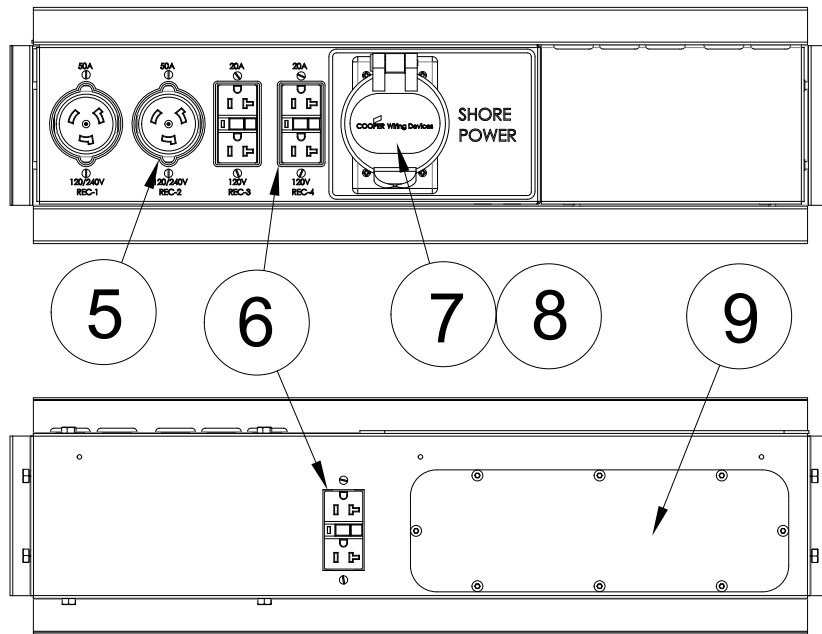
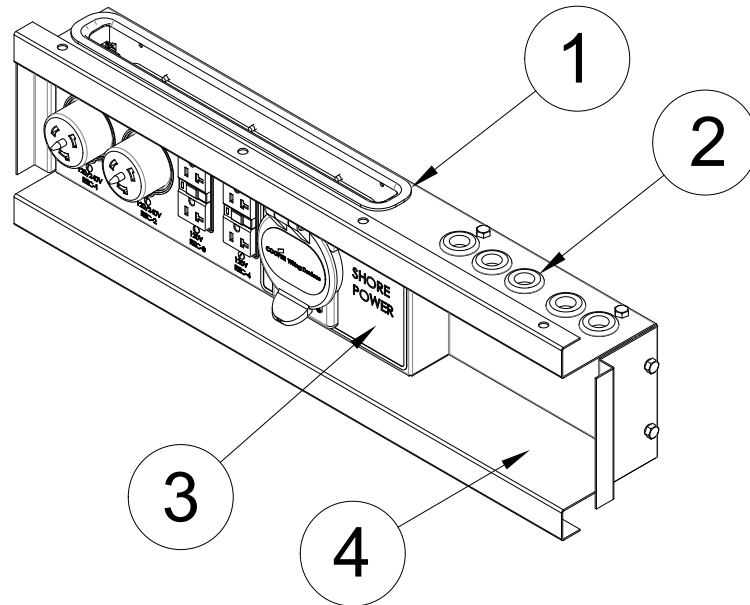
REF #	PART NUMBER	QTY	DESCRIPTION
1	702025-040S	1	Switch Support
2	702025-312S	1	Access Cover
3	64062-000	2	Shock Mount
4	702025-056S	1	Switch Assy Side Panel
5	774025-098S	1	Switch Assembly Mount
6	99898-002AUX	1	Auxiliary Contacts
7	99898-002	1	Voltage Selector Switch
8	99898-002H	1	Selector Switch Handle
9	702025-313S	1	Access Cover
10	702025-086S	1	Document Holder
11	351282-1	1	Green Cam-Lock Connector
12	351282-2	1	White Cam-Lock Connector
13	351282-3	1	Blue Cam-Lock Connector
14	351282-4	1	Black Cam-Lock Connector
15	351282-5	1	Red Cam-Lock Connector
16	702025-048S	1	Switch Assembly Cover
NI	21698-001	28	Torx Screw
NI	45853-000	1	Grommet
NI	Not Illustrated		

CIRCUIT BREAKER PANEL ASSEMBLY



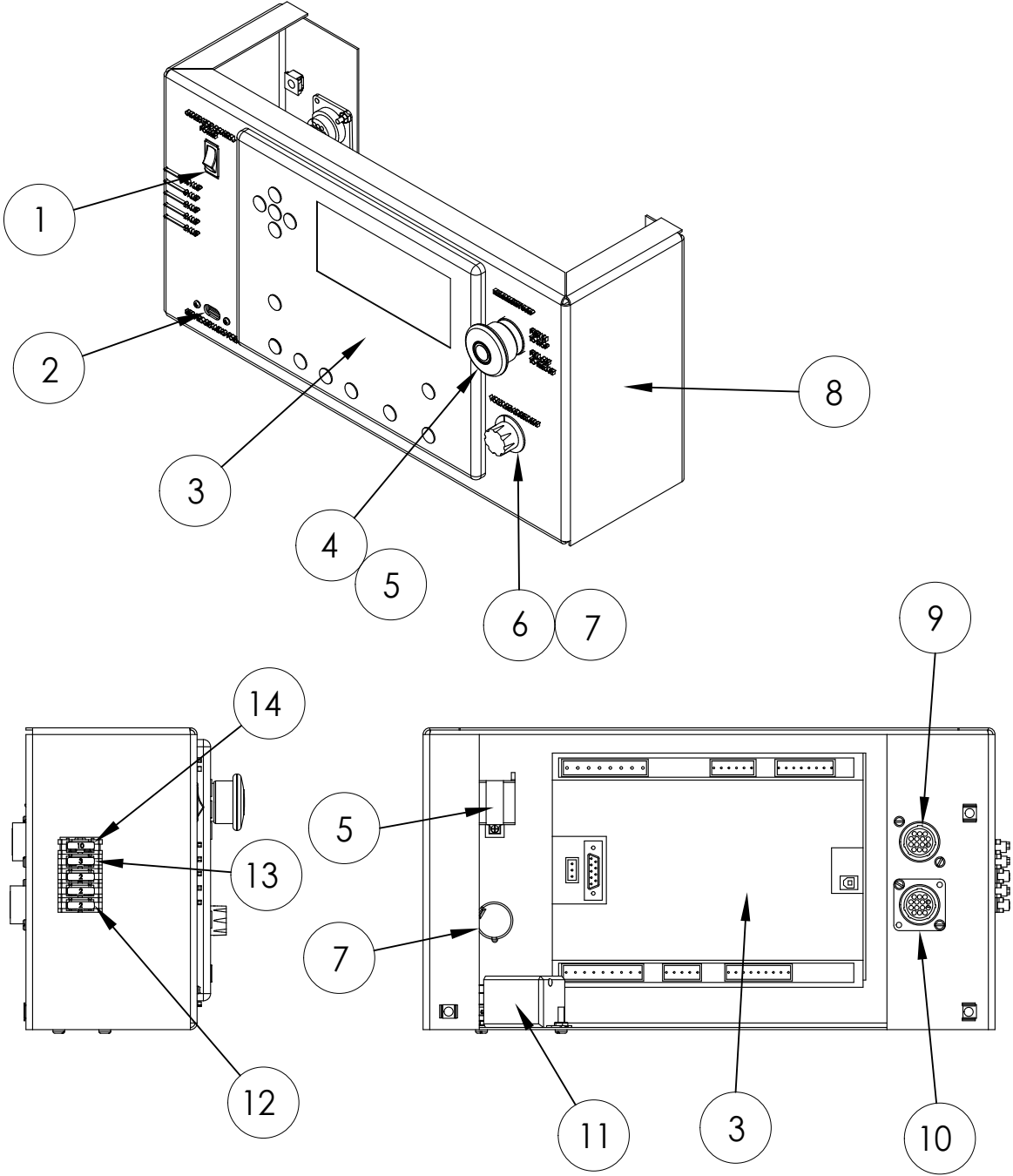
REF #	PART NUMBER	QTY	DESCRIPTION
1	702025-082	1	Hinge
2	71444-001	1	SPST Push Button Switch
3	81097-018	1	3-Pole 30 Amp 480V Breaker
4	702025-061S	1	Circuit Breaker Stop
5	82584-001	1	3-Pole 70 Amp 240V Breaker
6	91286-001	2	20 Amp 1-Pole Breaker
7	702025-034S	1	Circuit Breaker Panel
8	57030-000	2	50 Amp 240V 2-Pole Breaker
9	99559-000	1	Rotary Action Latch
10	702025-080S	1	Terminal Block Cover

RECEPTACLE PANEL ASSEMBLY



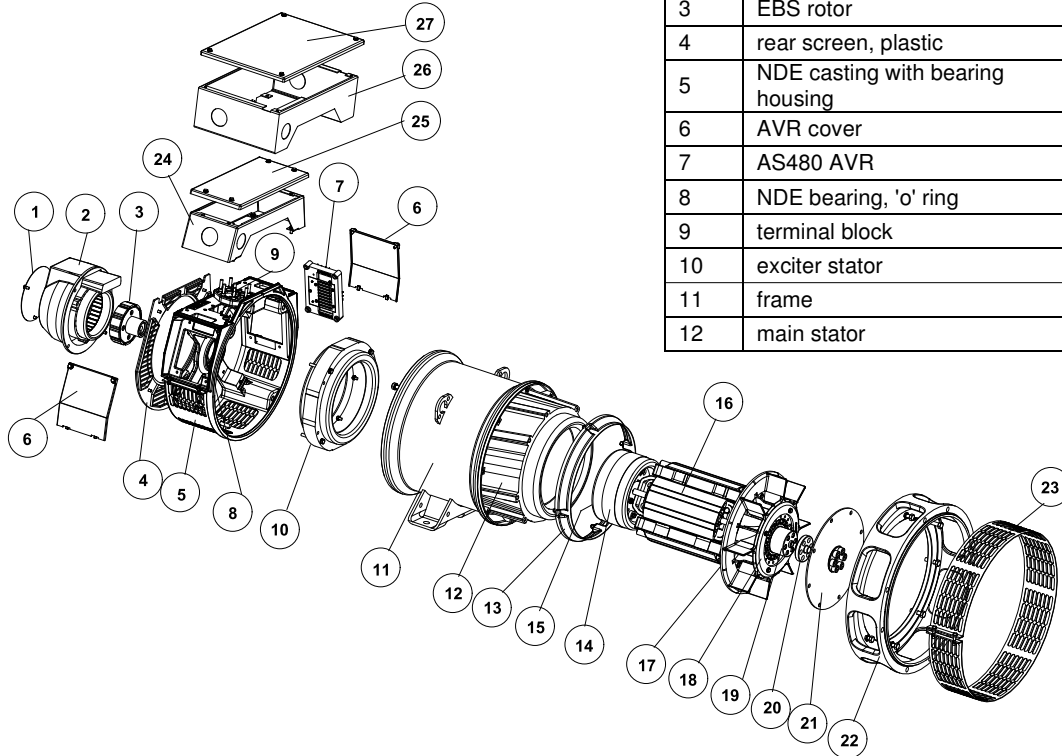
REF #	PART NUMBER	QTY	DESCRIPTION
1	58684-000	30"	Edge Trim
2	23917-000	5	Grommet
3	702025-133S	1	Receptacle Mounting Panel
4	702025-032S	1	Receptacle Rear Panel
5	91889-000	2	50A 125/250V Receptacle
6	15147-003	3	NEMA 5-20R GFCI Recpt.
7	99896-002	1	NEMA 5-15 Reverse Plug
8	99896-001	1	Reverse Plug Cover
9	774025-865S	1	Access Cover

ENGINE CONTROL PANEL ASSEMBLY



REF #	PART NUMBER	QTY	DESCRIPTION
1	64089-000	1	SPST Rocker Switch
2	92844-003	1	USB Cable
3	351112-4	1	DSE7310 Engine Control
4	99783-001	1	Push-Pull Switch
5	99783-002	1	Emergency Stop Switch Contact
6	94394-000	1	Knob
7	97517-001	1	Rheostat
8	351900-6	1	Engine Control Panel
9	96925-002	1	14 Pin Connector
10	96925-006	1	16 Pin Connector
11	59944-002	1	12VDC SPDT Relay
12	95064-102	1	2 Amp ATO-ATC Fuse
13	95064-103	3	3 Amp ATO-ATC Fuse
14	95064-110	1	10 Amp ATO-ATC Fuse
NI	2489-002	6	Panel Mount Fuse Holder
NI	16600-002	1	DSE7310 Label Insert
NI	16601-002	1	Card Insert Winpower
NI	Not Illustrated		

GEN-END ASSEMBLY



item	Description
1	cover, EBS
2	EBS unit
3	EBS rotor
4	rear screen, plastic
5	NDE casting with bearing housing
6	AVR cover
7	AS480 AVR
8	NDE bearing, 'o' ring
9	terminal block
10	exciter stator
11	frame
12	main stator

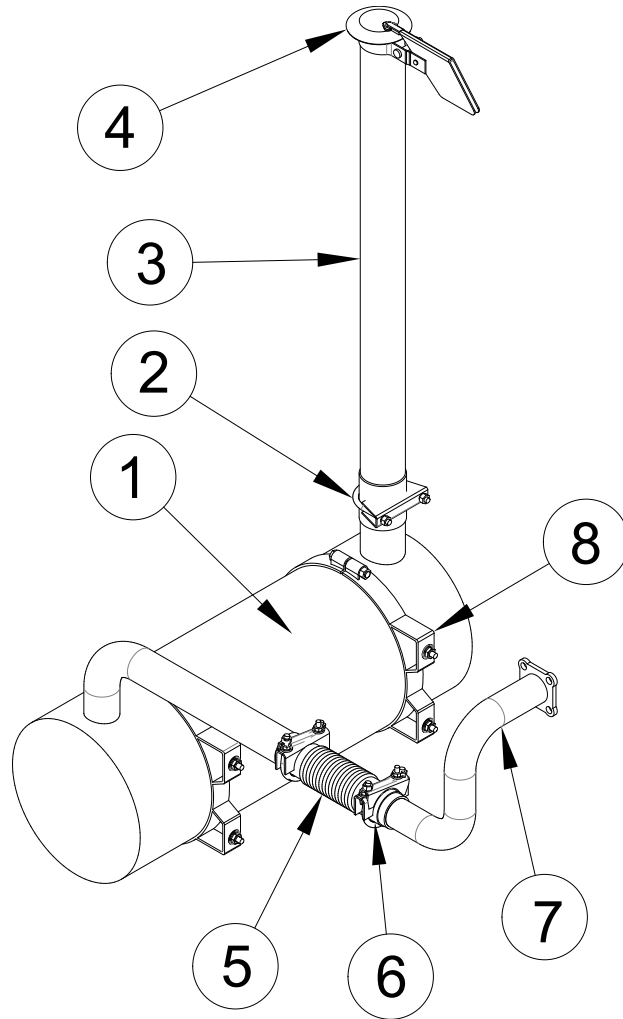
13	air flow baffle
14	exciter rotor
15	rotating rectifier assembly
16	main rotor assembly
17	fan, removable
18	fan hub, fixed
19	shaft
20	shaft spacer
21	coupling disc
22	DE adapter
23	DE screen
24	standard terminal box
25	standard terminal box lid
26	large terminal box
27	large terminal box lid

N.D.E. Non Driven End
D.E. Driven End
A.V.R. Automatic Voltage Regulator

REF #	PART NUMBER	QTY	DESCRIPTION
7	350005-018	1	Complete Generator End
	350818-3	1	Voltage Regulator AS480UL

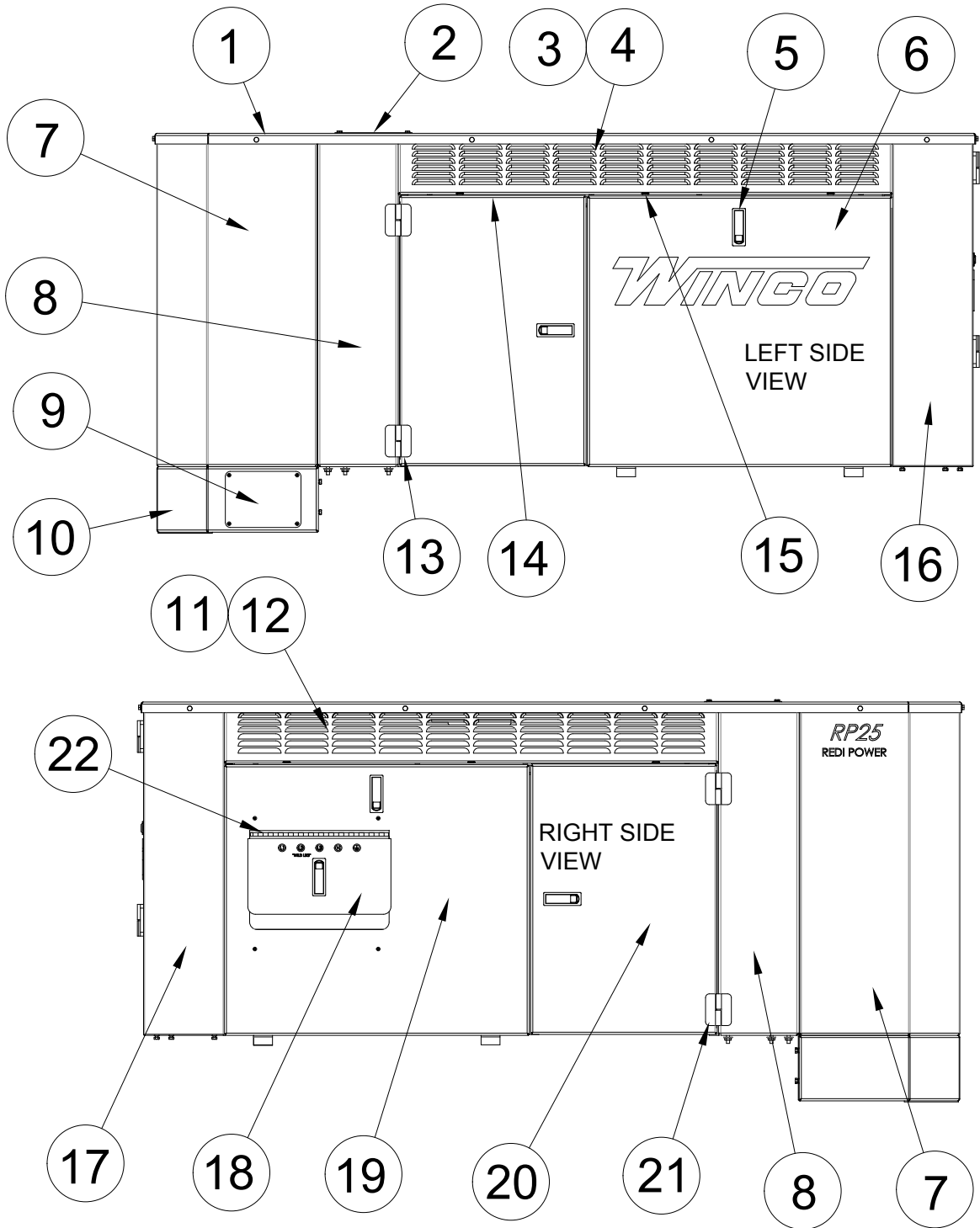
Individual parts may be purchased from Stamford Newage:
<https://www.cumminsgeneratortechnologies.com/en/>

EXHAUST ASSEMBLY



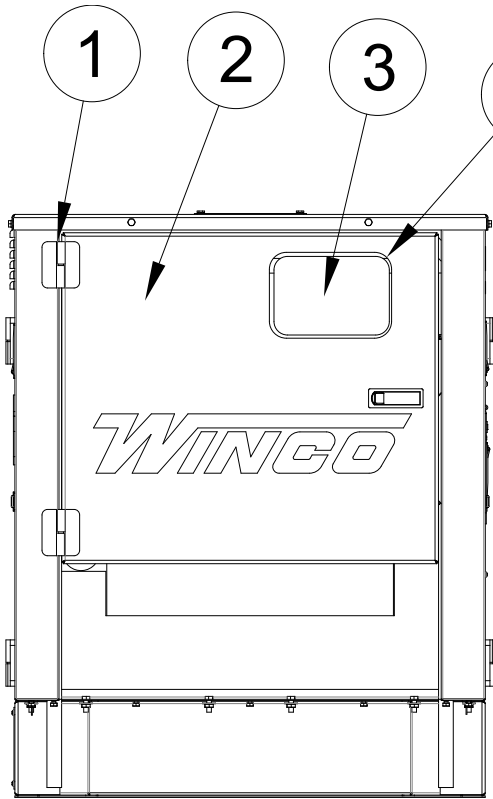
REF #	PART NUMBER	QTY	DESCRIPTION
1	707025-004	1	Muffler
2	93489-007	1	2 3/4" Muffler Clamp
3	707025-008	1	Exhaust Tubing
4	53111-009	1	2 1/2" Rain Cap
5	707025-001	1	Exhaust Flex
6	93489-003	2	2" Exhaust Clamp
7	707025-015	1	Exhaust Elbow
8	350264-1	2	Muffler Mounting Bracket

HOUSING ASSEMBLY

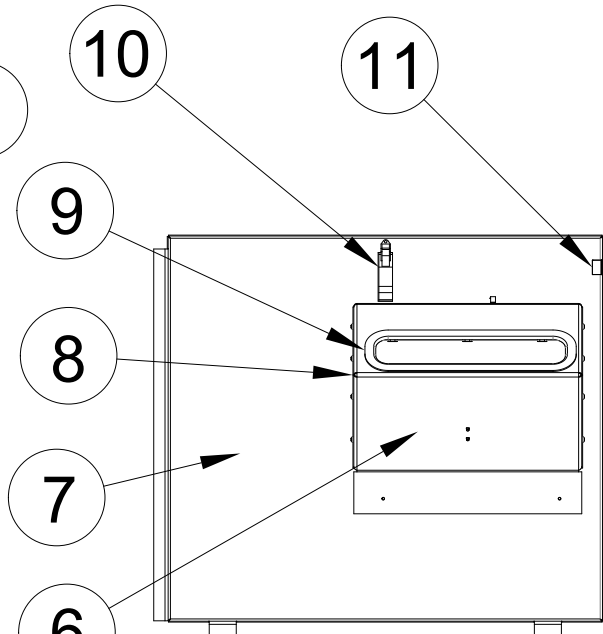


REF #	PART NUMBER	QTY	DESCRIPTION
1	774025-091	1	Roof
2	774025-116S	1	Roof Cover Plate
3	774025-125	1	Left Side Sill
4	774025-076S	1	Left Sill Baffle
5	95229-005	4	Door Latch
6	774025-280S	1	Left Side Panel
7	774025-085S	1	Front Snorkel
8	774025-086	1	Radiator Housing
9	774025-056S	1	Muffler Access Panel
10	774025-070	1	Front Base Section
11	774025-124	1	Right Side Sill
12	774025-076S	1	Right Sill Baffle
13	350054-4	4	Left Lift-off Hinge
14	774025-094S	2	Door Stop
15	774025-095S	2	Door Stop
16	774025-077S	1	Left Rear Corner
17	774025-078S	1	Right Rear Corner
18	774025-117	1	Cam Door Cover
19	774025-180S	1	Right Side Panel
20	774025-183S	2	Door
21	350054-3	2	Right Lift-off Hinge
22	774025-112	1	Hinge
NI	92421-001	12 Ft	3/4" X 3/4" Foam Strip
NI	702025-159	1	Protection Baffle
NI	774025-158	1	Front Baffle
NI	Not Illustrated		

HOUSING ASSEMBLY



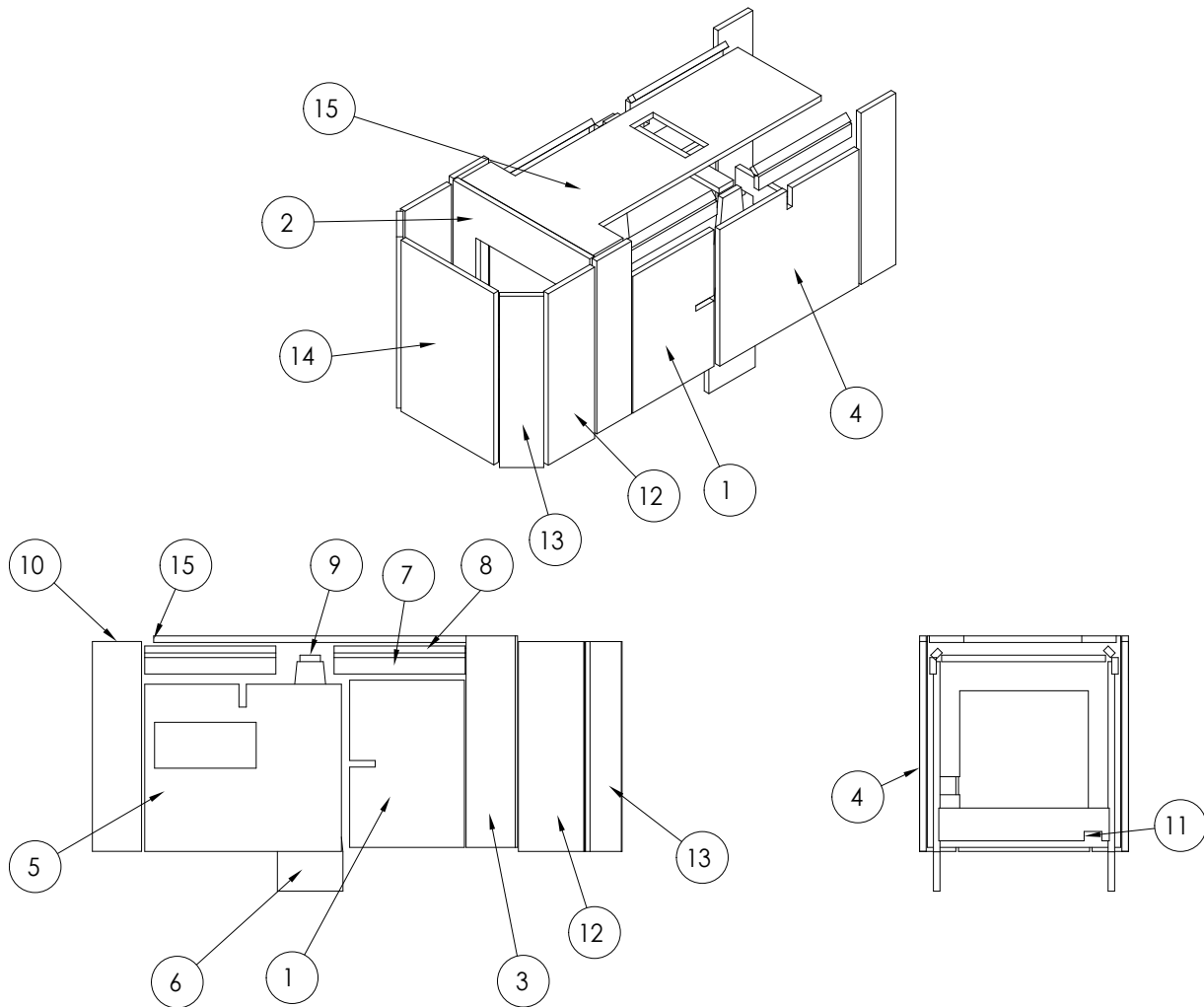
REAR VIEW



SIDE PANEL ASSEMBLY

REF #	PART NUMBER	QTY	DESCRIPTION
1	350054-4	2	Left Lift-off Hinge
2	774025-088S	1	Rear Door
3	351556-1	1	Window Panel
4	351597	2.1 Ft	Weather Strip Window Seal
5	351597-1	2.1 Ft	Locking Strip
6	774025-108S	1	Cam-Lock Panel
7	774025-180S	1	Right Side Panel
8	702025-068S	2	Cam-Lock Side Panel
9	58684-007	30"	Edge Trim
10	71444-001	1	SPST Push Button Switch
11	774025-635	1	Door Stop
NI	774025-685	1	Safety Switch Door Stop
NI	702025-063	1	Safety Harness
NI	Not Illustrated		

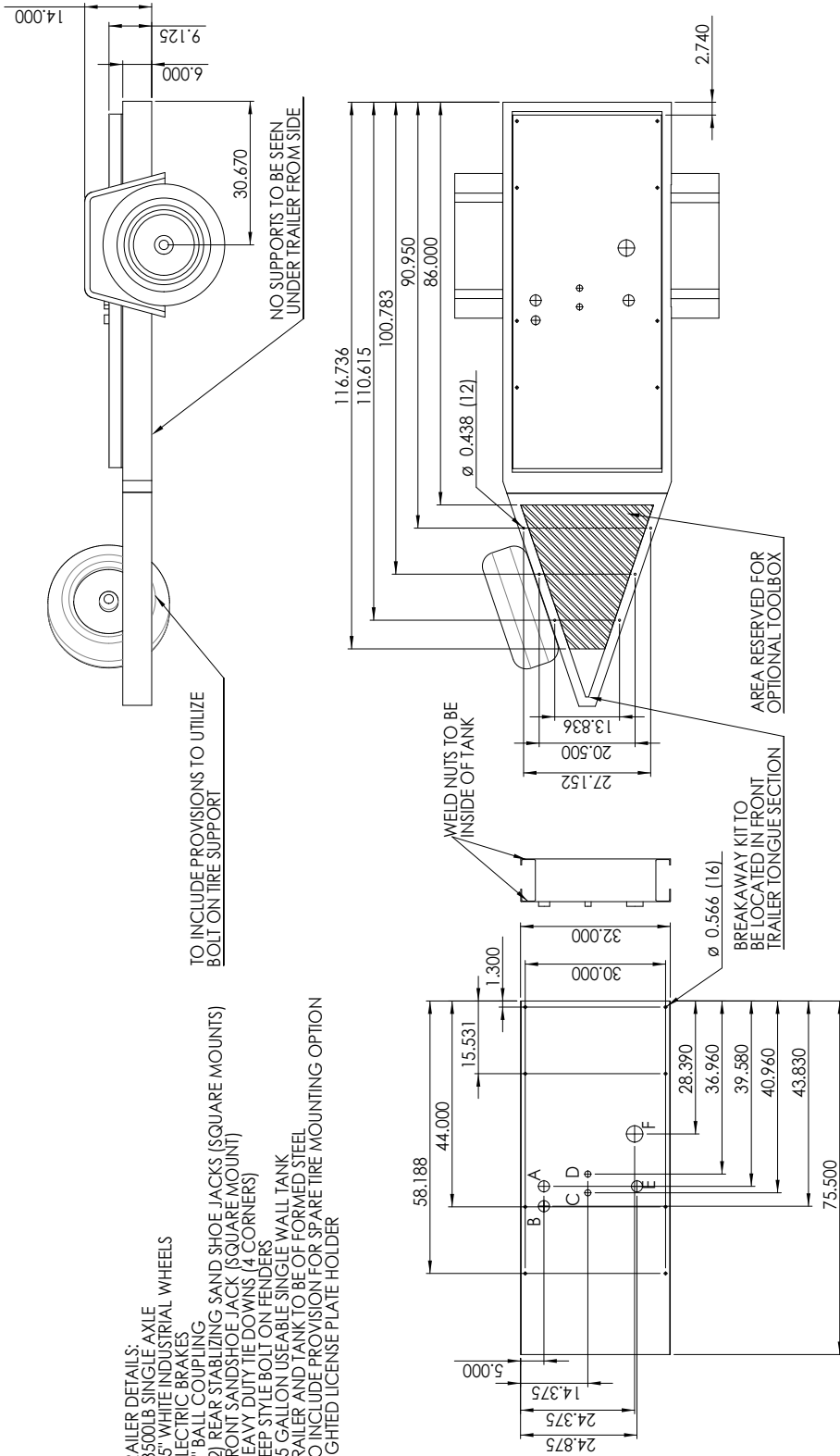
FOAM PARTS



REF #	PART NUMBER	QTY	DESCRIPTION
1	792025-081S	2	Door Foam
2	792025-082S	1	Radiator Foam
3	792025-085S	2	Side Radiator Foam
4	792025-083S	1	Side Panel Foam
5	792025-088S	1	Side Panel Foam
6	792025-300S	2	Lift Support Foam
7	792025-086S	4	Side Sill Baffle Foam
8	792025-087S	4	Sill Foam
9	792025-080S	1	Lift Support Foam
10	792025-078S	2	Rear Corner Foam
11	792025-077S	1	Rear Bottom Foam
12	792025-089S	2	Front Snorkel Foam
13	792025-090S	2	Front Snorkel Foam
14	792025-091S	1	Front Snorkel Foam
15	792025-076S	1	Roof Foam

TRAILER

350041-95-1 Rev. H



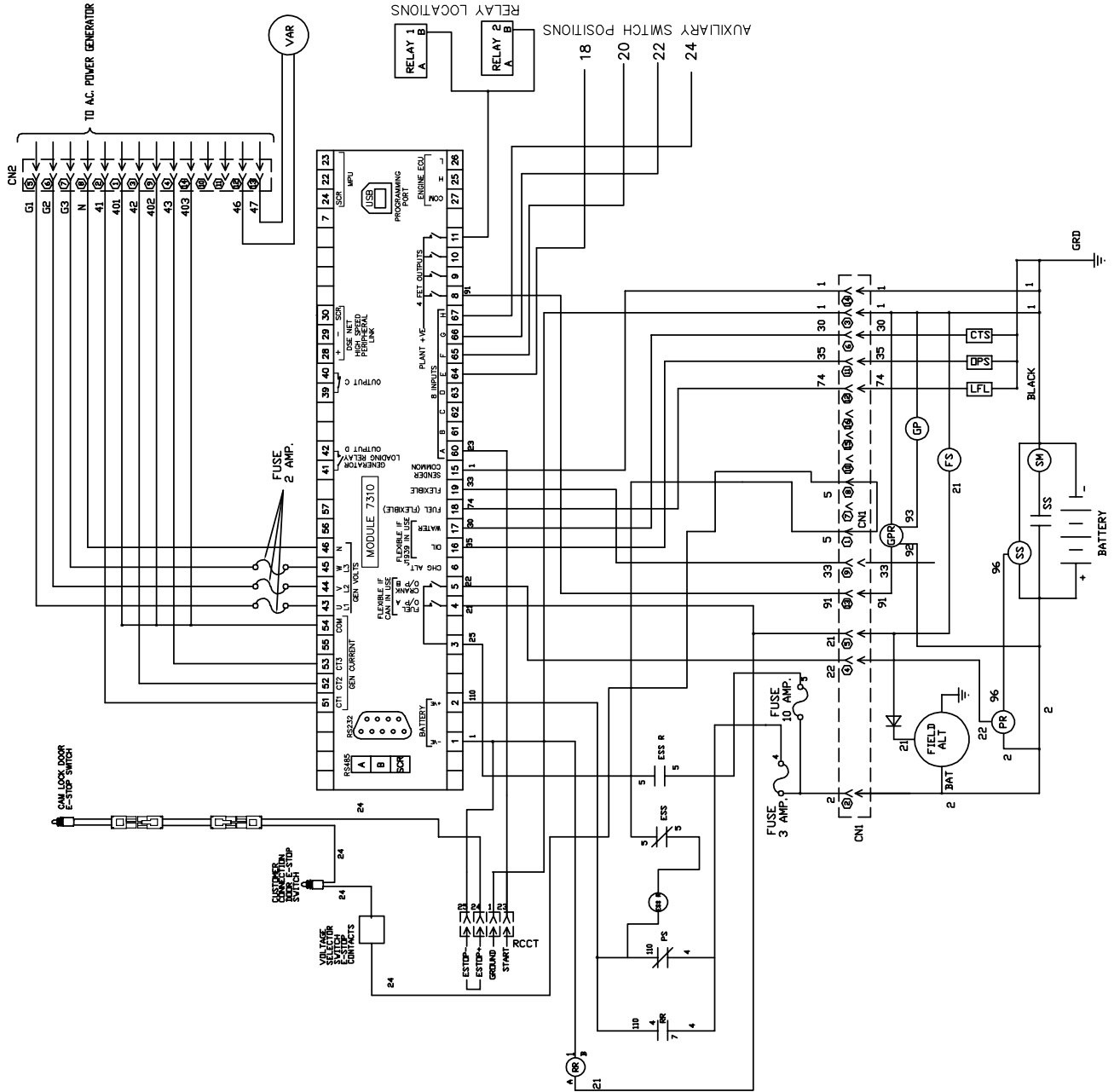
- TRAILER DETAILS:**
- 3500LB SINGLE AXLE
 - 15" WHITE INDUSTRIAL WHEELS
 - ELECTRIC BRAKES
 - 2" BALL COUPLING
 - (2) REAR STABILIZING SAND SHOE JACKS (SQUARE MOUNTS)
 - FRONT SANDSHOE JACK (SQUARE MOUNT)
 - HEAVY DUTY TIE DOWNS (4 CORNERS)
 - JEEP STYLE BOLT ON FENDERS
 - 55 GALLON USEABLE SINGLE WALL TANK
 - TRAILER AND TANK TO BE OF FORMED STEEL
 - TO INCLUDE PROVISION FOR SPARE TIRE MOUNTING OPTION
 - LIGHTED LICENSE PLATE HOLDER

- TANK SPECIFICATIONS:**
- A: 1.5" NPT FOR FUEL LEVEL GAUGE W/ELECTRONIC SENDER
 - B: 2" NPT FOR FUEL FILL W/ 6" EXTENSION
 - C: 1" NPT X .50 NPT FOR FUEL SUPPLY W/ DIP TUBE
 - D: 1" NPT X .50 NPT FOR FUEL RETURN
 - E: 2" NPT NORMAL VENT PLUGGED
 - F: 3" NPT PLUGGED

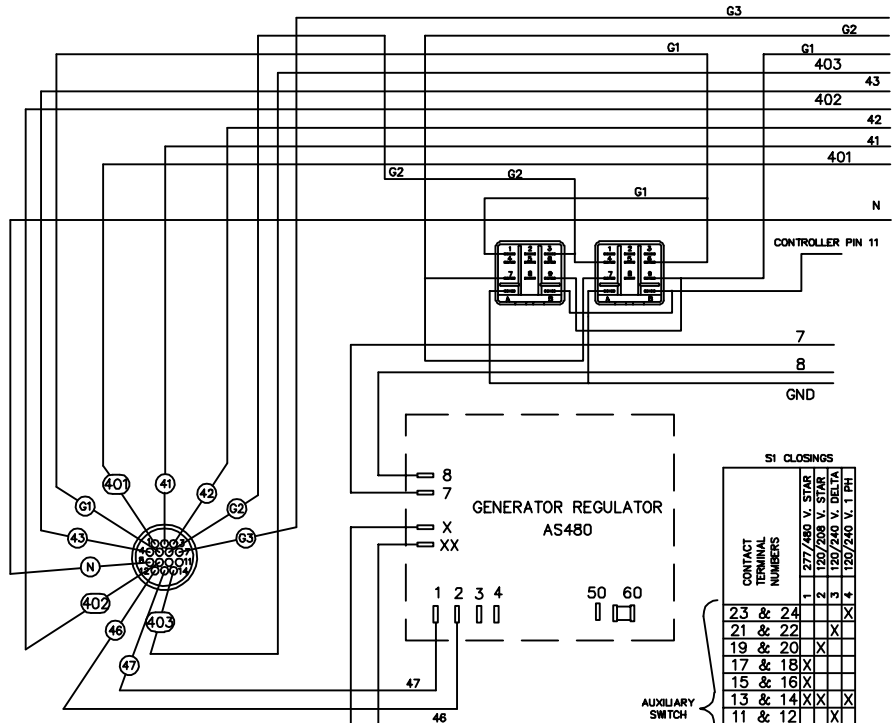
DC ELECTRICAL SCHEMATIC LEGEND

AFI	AIR FILTER INDICATOR
ALT	ALTERNATOR
CN1	16 PIN (LARGE CONNECTOR) ENGINE CONTROL HARNESS
CN2	14 PIN GENERATOR HARNESS
CN3	16 PIN (SMALL CONNECTOR) CONTROL PANEL HARNESS
CTS	COOLANT TEMPERATURE SENDER
ESS	EMERGENCY STOP SWITCH
FS	FUEL SOLENOID
GRD	GROUND (CHASSIS OR FRAME)
GP	ENGINE GLOW PLUGS
GPR	ENGINE GLOW PLUGS RELAY(50AMP)
LCL	LOW COOLANT LEVEL
LFL	LOW FUEL LEVEL
OPS	OIL PRESSURE SENDER
RCCT	REMOTE CUSTOMER CONNECTION TERMINALS
RR	RUN RELAY
SM	ENGINE STARTER MOTOR
SS	START SOLENOID
VAR	VOLTAGE ADJUSTMENT RHEOSTAT
PR	PILOT RELAY
PS	POWER SWITCH
IA	AUX INPUT A
IB	AUX INPUT B
IC	AUX INPUT C
ID	AUX INPUT D
IE	AUX INPUT E
OE	AUX OUTPUT E
OF	AUX OUTPUT F
OG	AUX OUTPUT G
ESS R	EMERGENCY STOP RELAY

DC ELECTRICAL SCHEMATIC



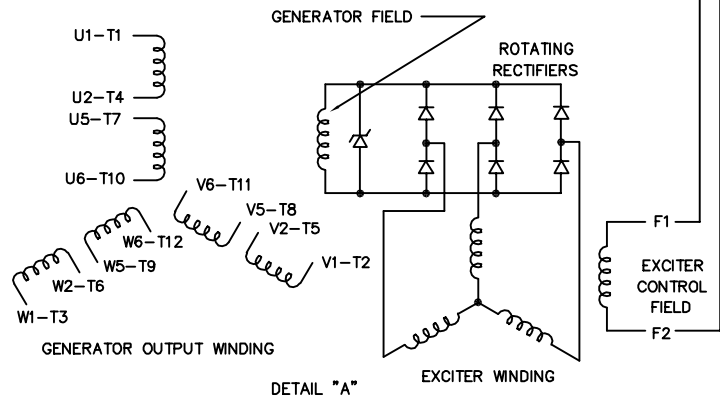
GENERATOR WIRING



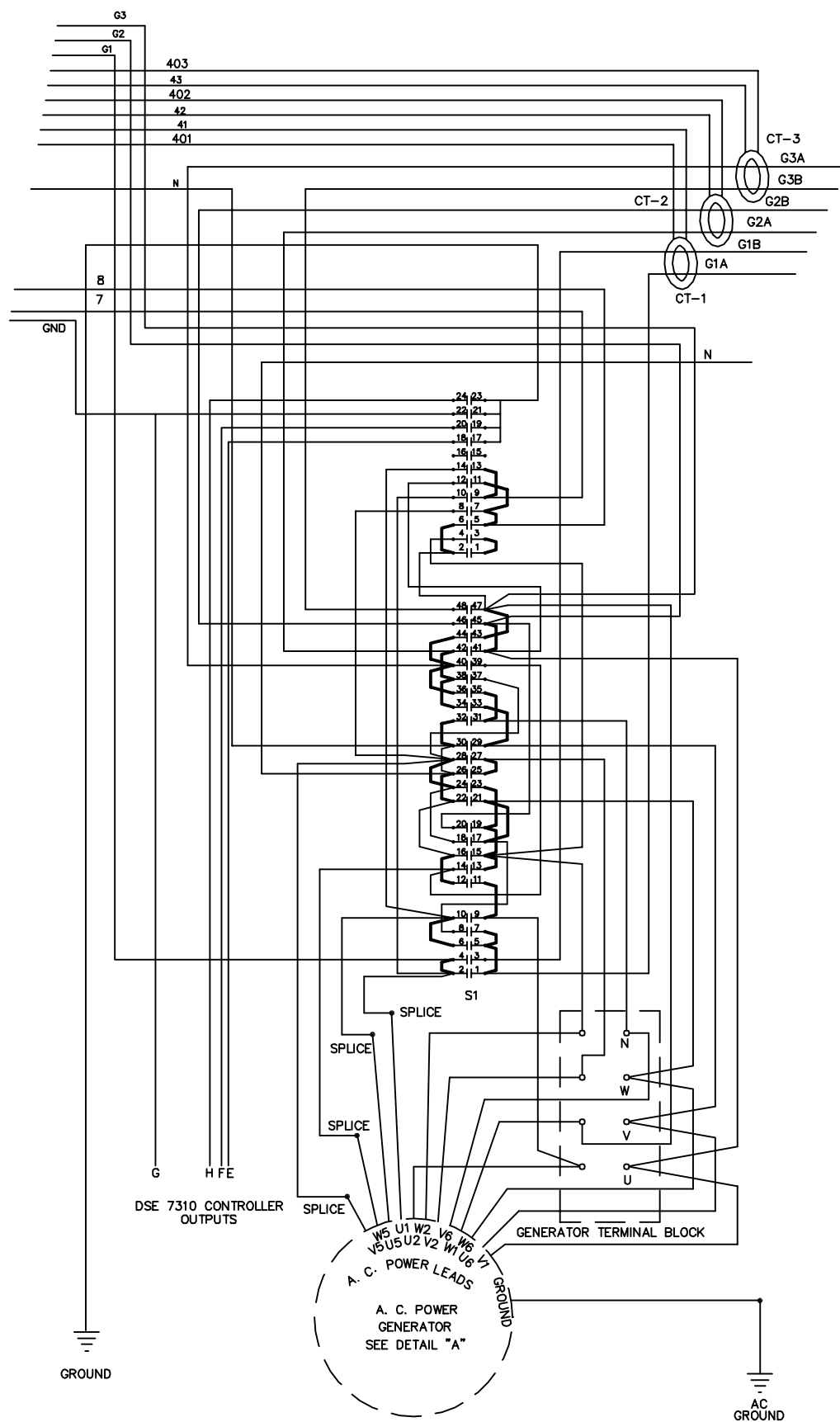
**AC INTERFACE
CONNECTOR
TO DSE-7310**

SI CLOSINGS

CONTACT TERMINAL NUMBERS	1 377/480 V. STAR	2 120/208 V. STAR	3 120/240 V. DELTA	4 120/240 V. 1 PH
23 & 24			X	X
21 & 22			X	X
19 & 20	X	X		
17 & 18	X	X		
15 & 16	X	X		
13 & 14	X	X	X	X
11 & 12	X	X	X	X
9 & 10	X	X	X	X
7 & 8	X	X	X	X
5 & 6	X	X	X	X
3 & 4	X	X	X	X
1 & 2	X	X	X	X
47 & 48	X	X	X	X
45 & 46	X	X	X	X
43 & 44	X	X	X	X
41 & 42	X	X	X	X
39 & 40	X	X	X	X
37 & 38	X	X	X	X
35 & 36	X	X	X	X
33 & 34	X	X	X	X
31 & 32	X	X	X	X
29 & 30	X	X	X	X
27 & 28	X	X	X	X
25 & 26	X	X	X	X
23 & 24	X	X	X	X
21 & 22	X	X	X	X
19 & 20	X	X	X	X
17 & 18	X	X	X	X
15 & 16	X	X	X	X
13 & 14	X	X	X	X
11 & 12	X	X	X	X
9 & 10	X	X	X	X
7 & 8	X	X	X	X
5 & 6	X	X	X	X
3 & 4	X	X	X	X
1 & 2	X	X	X	X



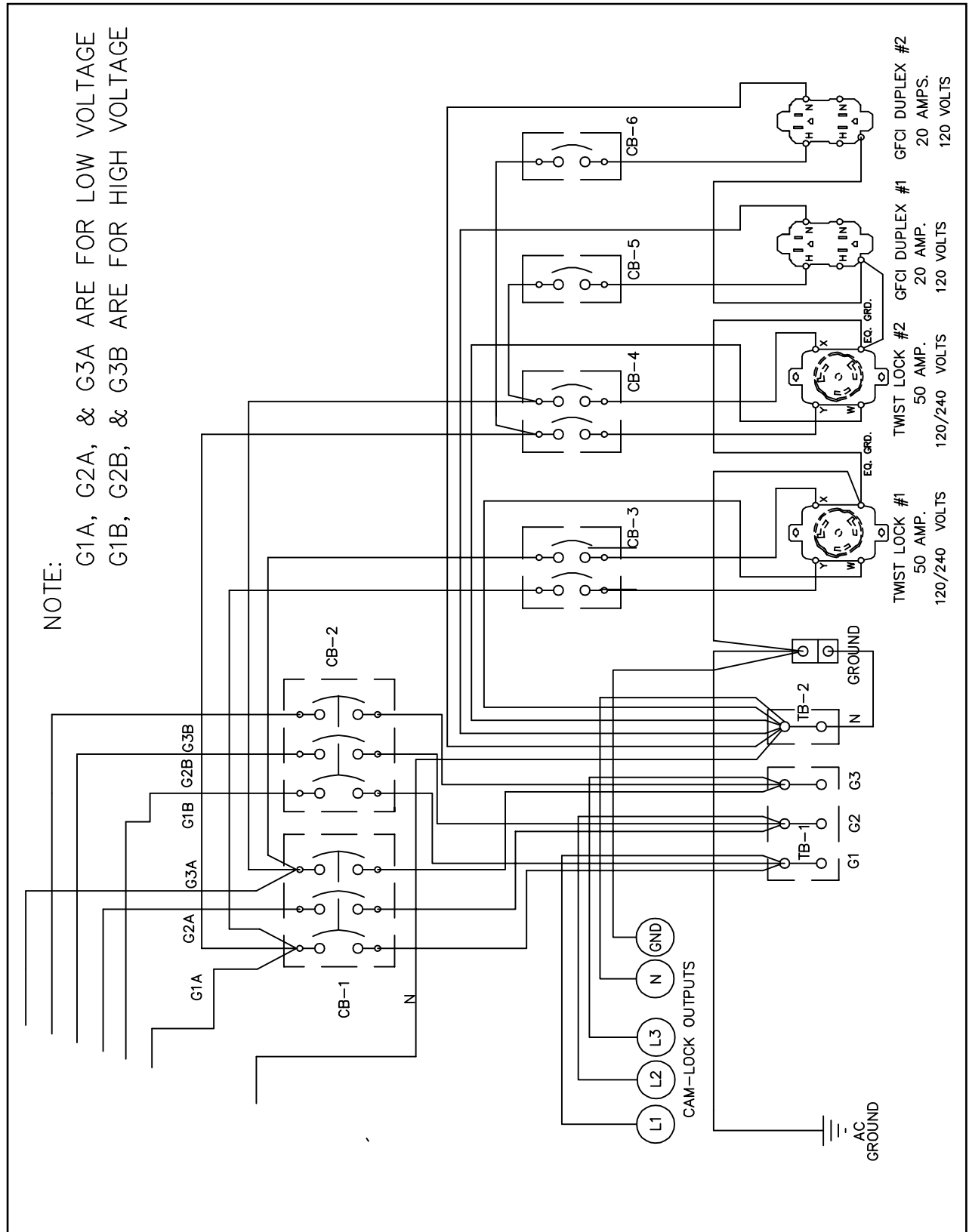
VOLTAGE SELECTOR SWITCH WIRING



CIRCUIT BREAKER/FULL POWER TERMINAL BLOCK WIRING

NOTE:

G1A, G2A, & G3A ARE FOR LOW VOLTAGE
G1B, G2B, & G3B ARE FOR HIGH VOLTAGE



TWIST LOCK #1 50 AMP. 120/240 VOLTS
 TWIST LOCK #2 50 AMP. 120/240 VOLTS
 TWIST LOCK #3 50 AMP. 120/240 VOLTS
 GFCI DUPLEX #1 20 AMPS. 120 VOLTS
 GFCI DUPLEX #2 20 AMPS. 120 VOLTS