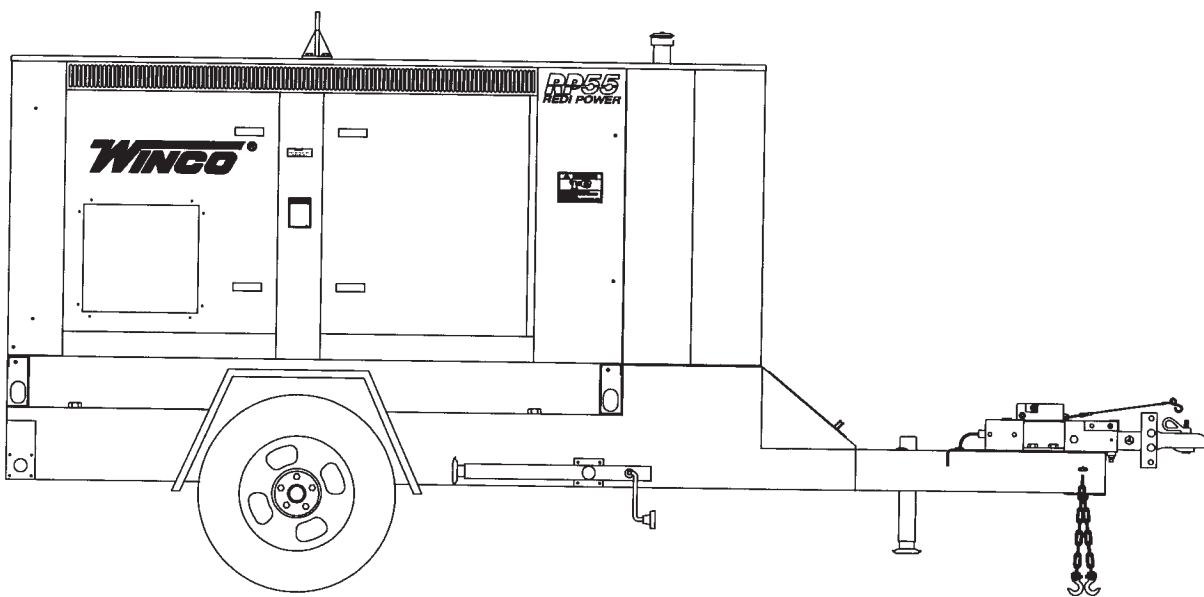


WINCO INC[®]

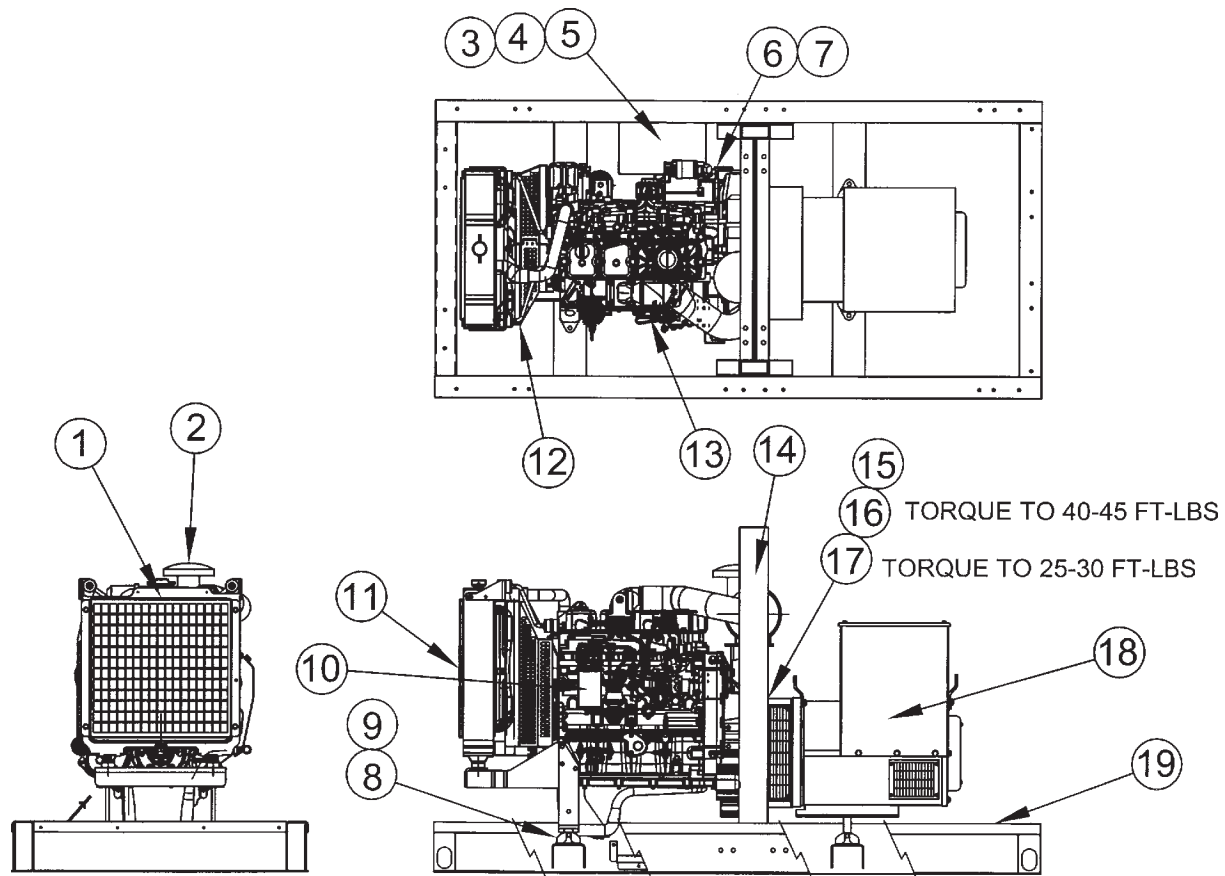
*A Division of **DTE** Dyna Technology Inc*

ILLUSTRATED PARTS LISTS

PP55 REDI POWER



ENGINE & GENERATOR ASSEMBLY



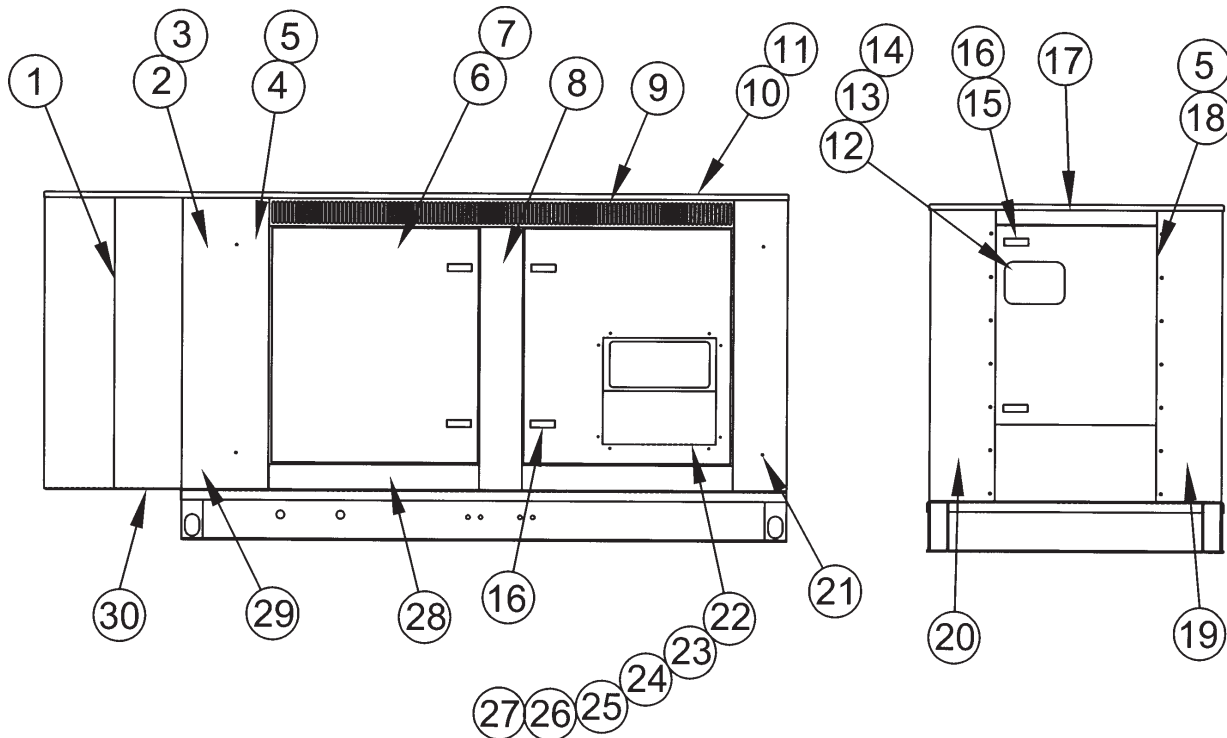
<u>REF #</u>	<u>PART NUMBER</u>	<u>QTY</u>	<u>DESCRIPTION</u>
1	92421-000	6.5 FT	Foam Strip 1.5" thick
2	8031211*	1	Air Filter
3	350110-5	1	Battery Tray
4	96580-009	1	Positive Battery Cable
5	96580-007	1	Negative Battery Cable
6	80980-000	1	Start Solenoid
7	350740	1	Solenoid Mounting Bracket
8	98956-002	4	Shock Mount
9	350720-3	2	Mounting Spacer
10	504107584*	1	Fuel Filter
11	350001-60	1	Engine, Iveco Model NEF 45AM1 TIER 2
12	99252-006	1	Radiator Drain Kit
13	80781-003	1	Block Heater
14	99163-005	1	Lifting Eye Weldment
15	97436-10	20	SLW M10

<u>REF #</u>	<u>PART NUMBER</u>	<u>QTY</u>	<u>DESCRIPTION</u>
16	96003-40	12	HHCS M10-1.5 X 40 (Bell Housing)
17	96003-025	8	HHCS M10-1.5 X 25 (Fly Wheel)
18	350003-703	1	Generator, Stamford Newage Model UCI224E
19	99886-000	1	Base Weldment
NI	99288-004	1	Battery Hold Down Kit
NI	2992242*	1	Oil Filter
NI	99267-001	1	Oil Pressure Sender
NI	99265-001	1	Coolant Temperature Sender
NI	351901-2	1	Engine Harness
NI	98906-014	1	Oil Drain Valve
NI	300349-1	1	Oil Drain Adapter
NI	98906-005	1	Block Heater Drain
NI	16287-000	1	Battery Tender
NI	300553	1	Coolant Recovery Kit
NI	300349-5	1	Oil Pressure Sender Adapter
NI	80781-009	1	Engine Coolant Heater
NI	92212-003	1	Eye Weldment
NI	2992242*	1	Oil Filter
NI	350818	1	Voltage Regulator
NI	Not Illustrated		
*	Iveco Part Number		

FUEL SYSTEM KIT

<u>REF #</u>	<u>PART NUMBER</u>	<u>QTY</u>	<u>DESCRIPTION</u>
1	351944	1	Fuel Tank Wiring Harness
2	94319-008	2	Hose Fitting
3	55505-000	10 FT	Hose, 3/8" ID
4	81018-009	4	Hose Clamp

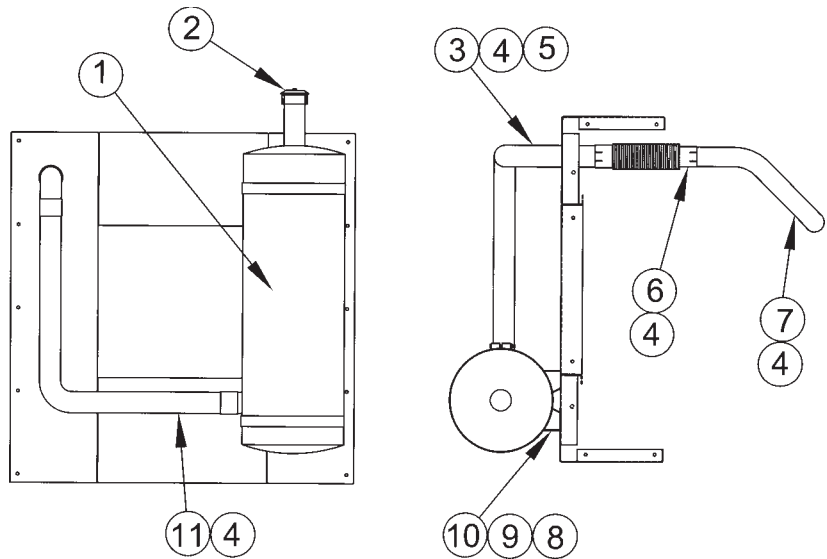
HOUSING ASSEMBLY



REF #	PART NUMBER	QTY	DESCRIPTION
1	99891-002	1	Front Extension
2	99888-000	1	Left Front Corner Post
3	99891-001	1	Radiator Top
4	99901-000	4	Door Hinge
5	62912-001	39.1 FT	.875" Wide Foam Strip
6	99892-000	2	Front Door
7	99902-000	2	Door Stop
8	99890-000	2	Middle Door Housing
9	99894-000	1	Left Door Top
10	99900-000	1	Roof
11	99923-000	1	Access Panel
12	351556-1	1	Window Panel
13	351597-1	2.1 FT	Window Locking Strip
14	351597	2.1 FT	Window Weather Strip
15	99892-003	1	Rear Door
16	95229-005	10	Door Latch
17	99889-001	1	Top Rear Door
18	99901-001	1	Rear Hinge
19	99899-001	1	Right Rear Corner Post
20	99899-000	1	Left Rear Corner Post

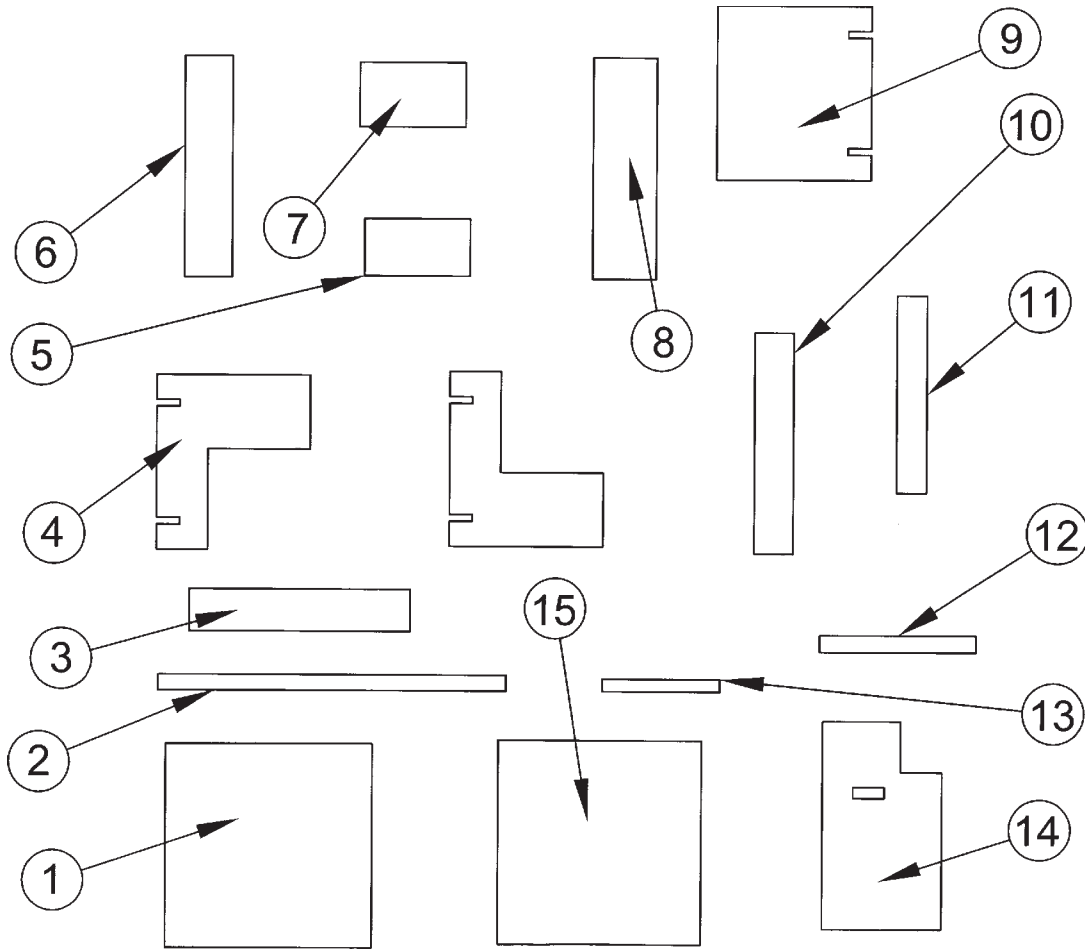
REF #	PART NUMBER	QTY	DESCRIPTION
21	15424-000	8	Rubber Foot
22	99892-001	1	Left Rear Door
23	99895-000	2	Side Baffle
24	99895-001	2	Side Baffle
25	99895-002	2	Rear Baffle
26	99909-000	2	Intake Screen
27	99910-000	4	Screen Holder
28	99889-000	4	Bottom Door
29	99891-000	1	Radiator Bottom
30	99893-000	1	Snorkel Bottom
NI	99888-001	1	Right Front Corner Post
NI	99894-001	1	Right Door Top
NI	99911-000	1	Foam Kit
NI	99892-002	1	Right Rear Door
NI	Not Illustrated		

EXHAUST ASSEMBLY



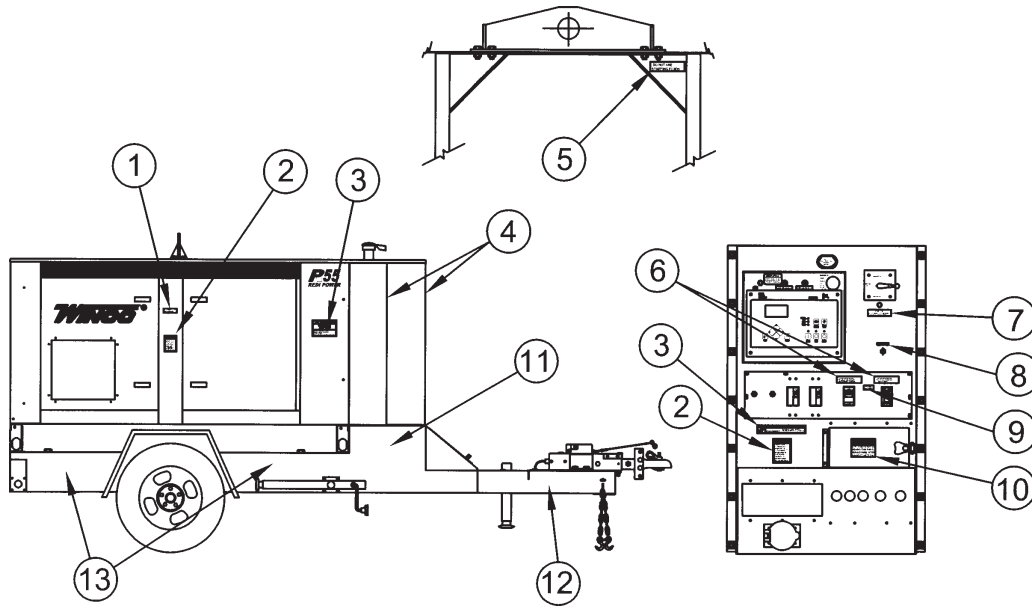
REF #	PART NUMBER	QTY	DESCRIPTION
1	99884-000	1	Muffler
2	53111-006	1	Rain Cap
3	99885-001	1	90° Elbow
4	93489-007	5	Muffler Clamp (2.75")
5	99512-001	10 FT	Exhaust Wrap
6	350079-62	1	Flex Exhaust (2.25")
7	99885-000	1	Exhaust Outlet
8	93484-002	2	Muffler Mounting Bracket
9	467-000	4	HHCS 5/16 - 18 X 3/4
10	16249-000	4	FN 5/16 - 18
11	99885-002	1	Exhaust Elbow

FOAM PARTS



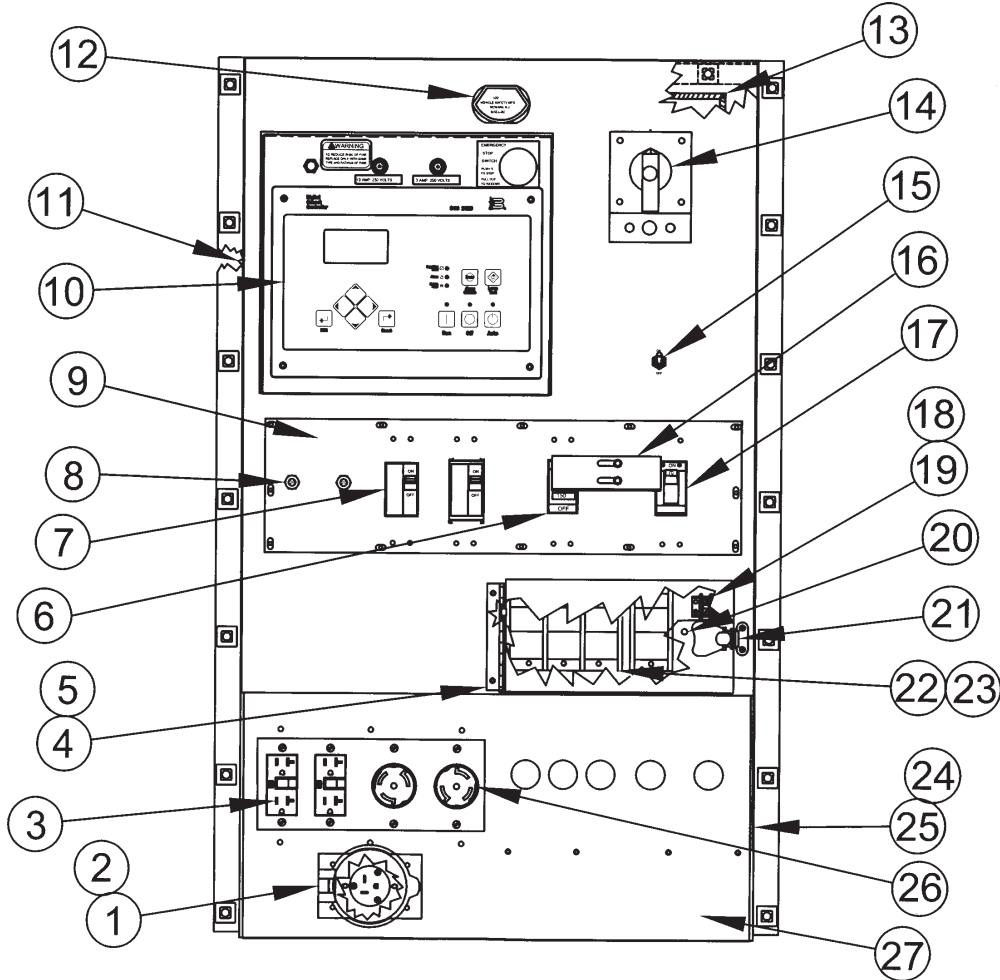
<u>REF #</u>	<u>PART NUMBER</u>	<u>QTY</u>	<u>DESCRIPTION</u>
1	99911-013	1	Front Roof
2	99911-008	2	Top Door
3	99911-016	2	Rear Corner Post
4	99911-006	1	Left Side Door
5	99911-003	1	Radiator Top
6	99911-001	2	Front Corner Post
7	99911-002	1	Radiator Bottom
8	99911-004	2	Front Side
9	99911-005	2	Front Door
10	99911-010	2	Rear Side
11	99911-011	2	Mid. Door
12	99911-009	4	Bottom Door
13	99911-017	1	Top Rear Door
14	99911-015	1	Rear Control
15	99911-014	1	Rear Roof

DECAL INSTALLATION



REF #	PART NUMBER	QTY	DESCRIPTION
1	99951-000	3	Lock Doors Decal
2	97813-000	3	Auto Start Decal
3	15209-000	2	UL Decal Set
4	63941-001	3	Hot Surface Decal
5	97382-000	1	Warning Decal
6	98468-000	2	CB Adjustment Decal
7	99949-000	1	Voltage Selector Warning
8	99947-000	1	DC Lights Decal
9	16502-001	1	AC Power Disconnect
10	97738-000	1	Warning Decal
11	97381-000	1	Diesel Fuel Decal
12	97830-000	2	Block Wheels Decal
13	97379-000	4	Jack Warning Decal
NI	63966-006	1	Nameplate
NI	63941-003	1	Battery Compartment
NI	99948-000	1	Terminal Connections

CONTROL PANEL ASSEMBLY

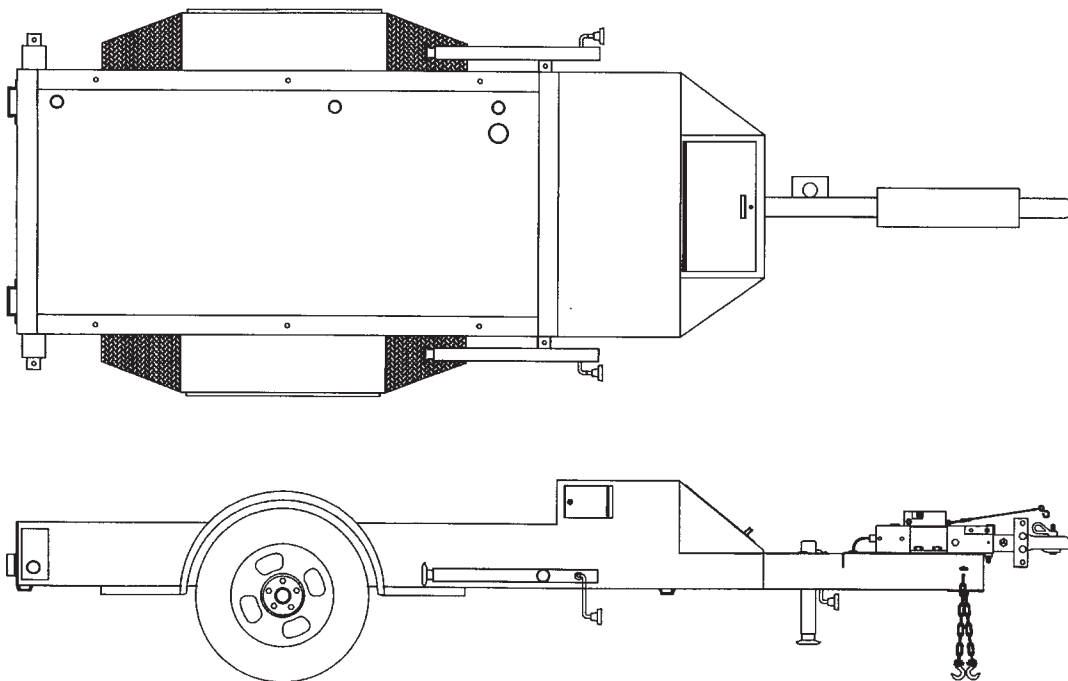


REF #	PART NUMBER	QTY	DESCRIPTION
1	99896-000	1	Reverse Plug (prior to February 2009)
	99896-002	1	Reverse Plug (after February 2009)
2	99869-001	1	Reverse Plug Cover with Gas
3	15147-001	2	20A, 125V GFCI Receptacle
4	99919-000	1	Safety Door
5	99931-000	1	Safety Door Hinge
6	81096-003	1	150A Circuit Breaker
7	57030-000	2	50A Circuit Breaker
8	91286-001	2	20A Circuit Breaker
9	99921-000	1	Circuit Breaker Cover Panel
10	351855-1	1	Engine Control Module Basler DGC-2020
11	99922-000	1	Basler Control Access Cover
12	99897-000	1	Panel Light
13	58684-000	2.33 FT	Edge Trim
14	99898-000	1	Selector Switch
15	71216-002	1	SPDT Switch

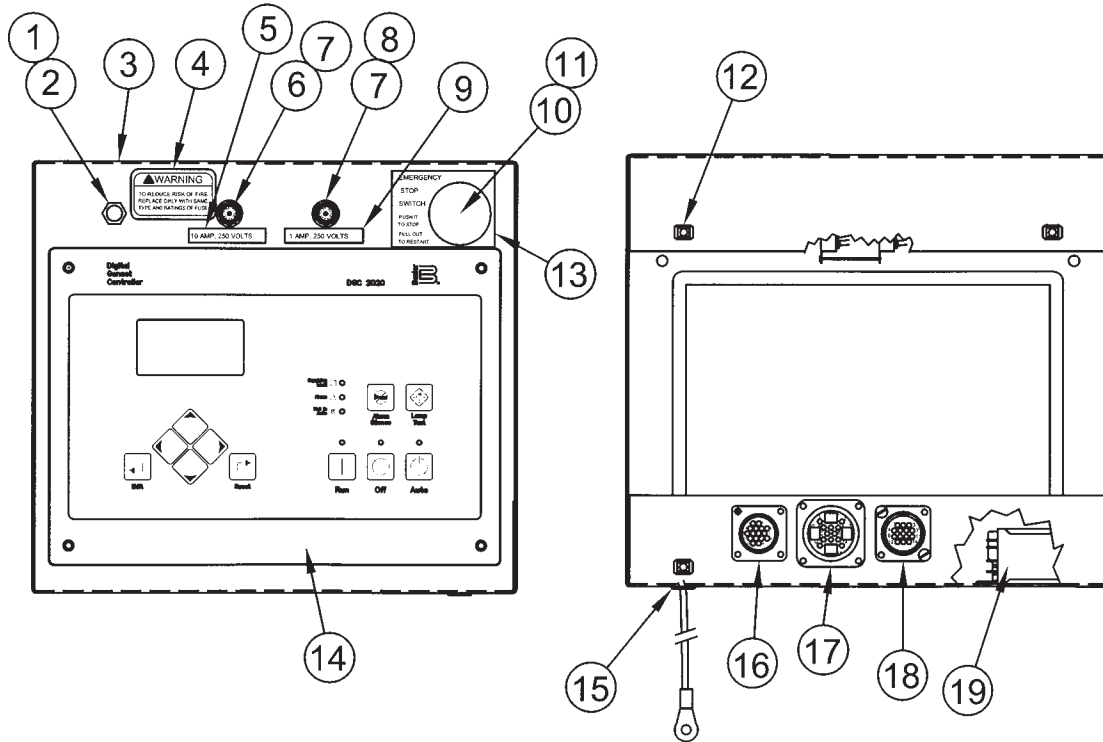
<u>REF #</u>	<u>PART NUMBER</u>	<u>QTY</u>	<u>DESCRIPTION</u>
16	99929-000	1	Interlock Bar
17	81097-005	1	70A Circuit Breaker
18	80623-008	1	4 Spot Terminal Strip
19	71444-001	1	Safety Door Switch
20	48042-000	1	Ground Lug
21	99559-000	1	Latch
22	97753-004	1	Terminal Block
23	97753-005	1	Terminal Block
24	99907-000	1	Terminal Box
25	99928-000	1	Terminal Box Side
26	91889-001	2	50A, 480V Twist Lock Receptacle
27	99904-000	1	Control Box Cover Panel
NI	99930-000	1	Interlock Bar Spacer
NI	99920-002	1	Receptacle Box
NI	99905-000	1	Control Box Rear Panel
NI	80124-008	3	Transformer
NI	351901-2	1	Engine Control Harness
NI	Not Illustrated		

TRAILER ASSEMBLY

MADE BY ZIERKE BUILT MANUFACTURING
WINNEBAGO, MN 56098

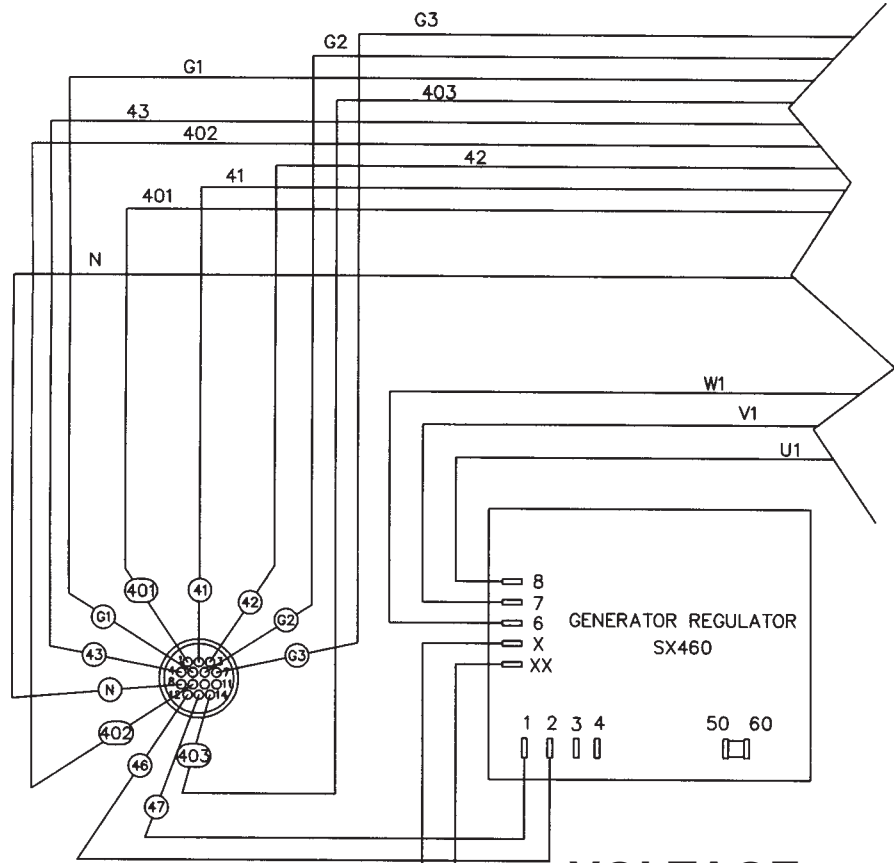


ENGINE CONTROL ASSEMBLY



<u>REF #</u>	<u>PART NUMBER</u>	<u>QTY</u>	<u>DESCRIPTION</u>
1	97517-001	1	Voltage Adjusting Rheostat
2	94394-000	1	Knob
3	99937-000	1	Control Box Front Panel
4	63941-004	1	Fuse Rating Decal
5	15983-006	1	10A Fuse Decal
6	95064-006	1	10A Fuse
7	2489-001	1	Fuse Holder
8	95064-003	1	1A Fuse
9	15983-005	1	1A Fuse Decal
10	99783-001	1	Emergency Stop Switch
11	99783-002	1	E-Stop Switch
12	92495-000	4	1/4 - 20 Retainer Nut
13	63941-006	1	Emergency Stop Decal
14	351855-1	1	Basler DGC-2020 Engine Control
15	45853-000	1	Grommet
16	96925-006	1	16 Pin Connector
17	96925-003	1	16 Pin Connector
18	96925-002	1	14 Pin Connector
19	59944-003	1	Relay
NI	300542	1	Battery Mounted in Back of DGC2020
NI	Not Illustrated		

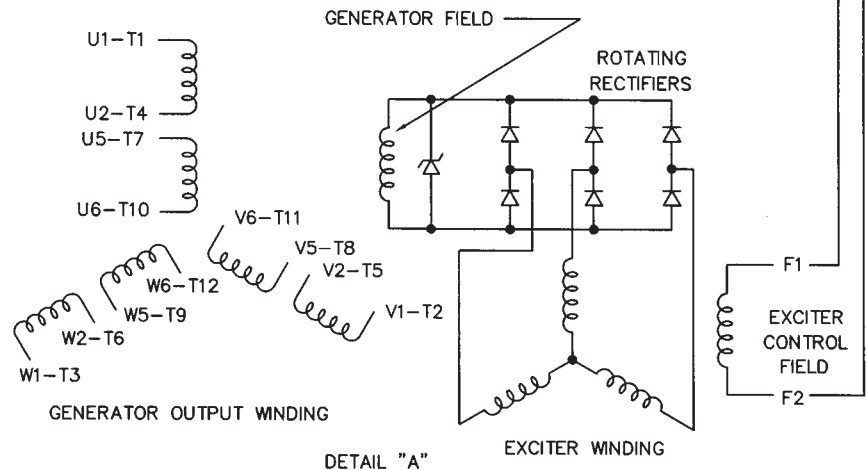
GENERATOR WIRING



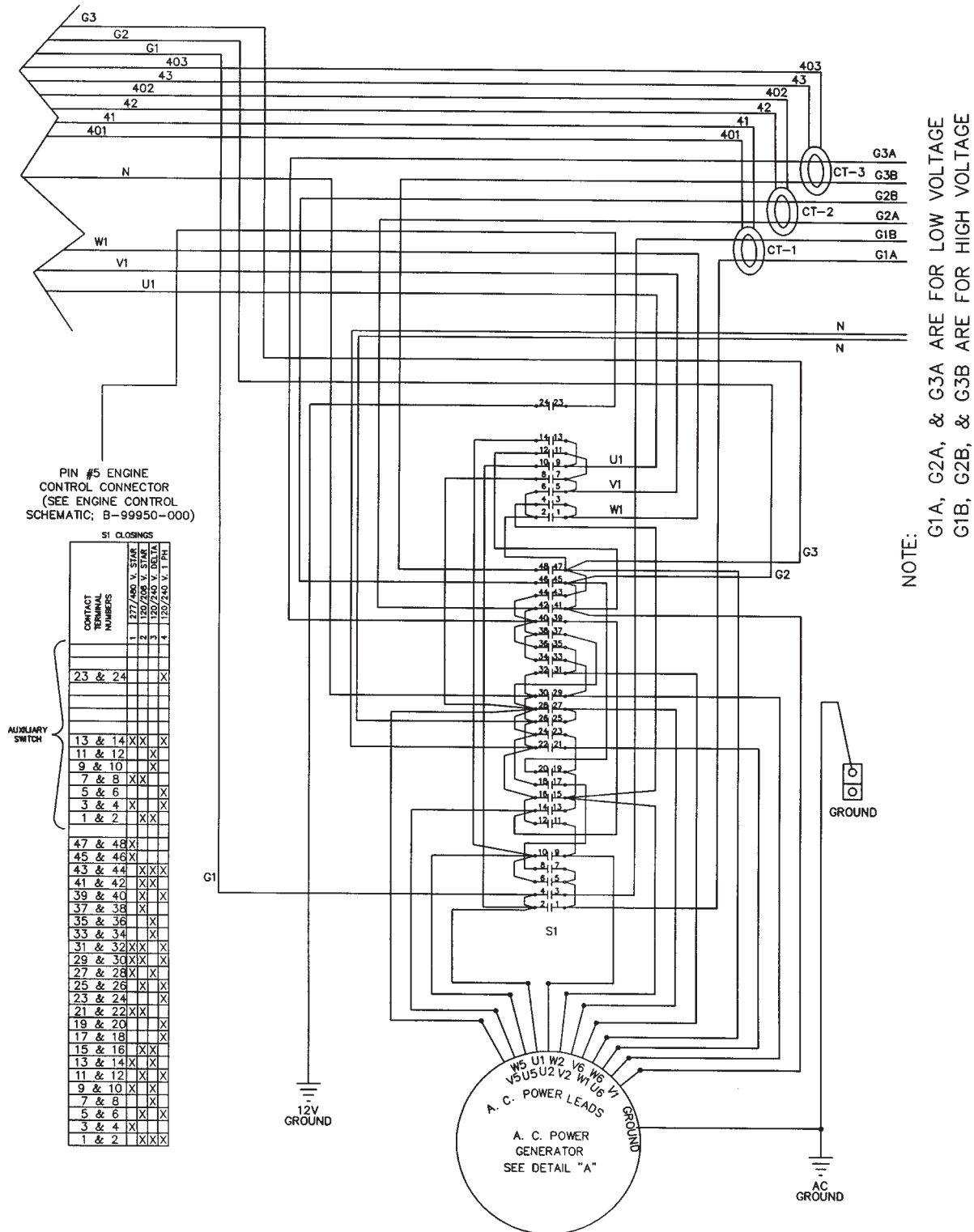
**AC INTERFACE
CONNECTOR
TO DGC-2020**

**VOLTAGE
REGULATOR**

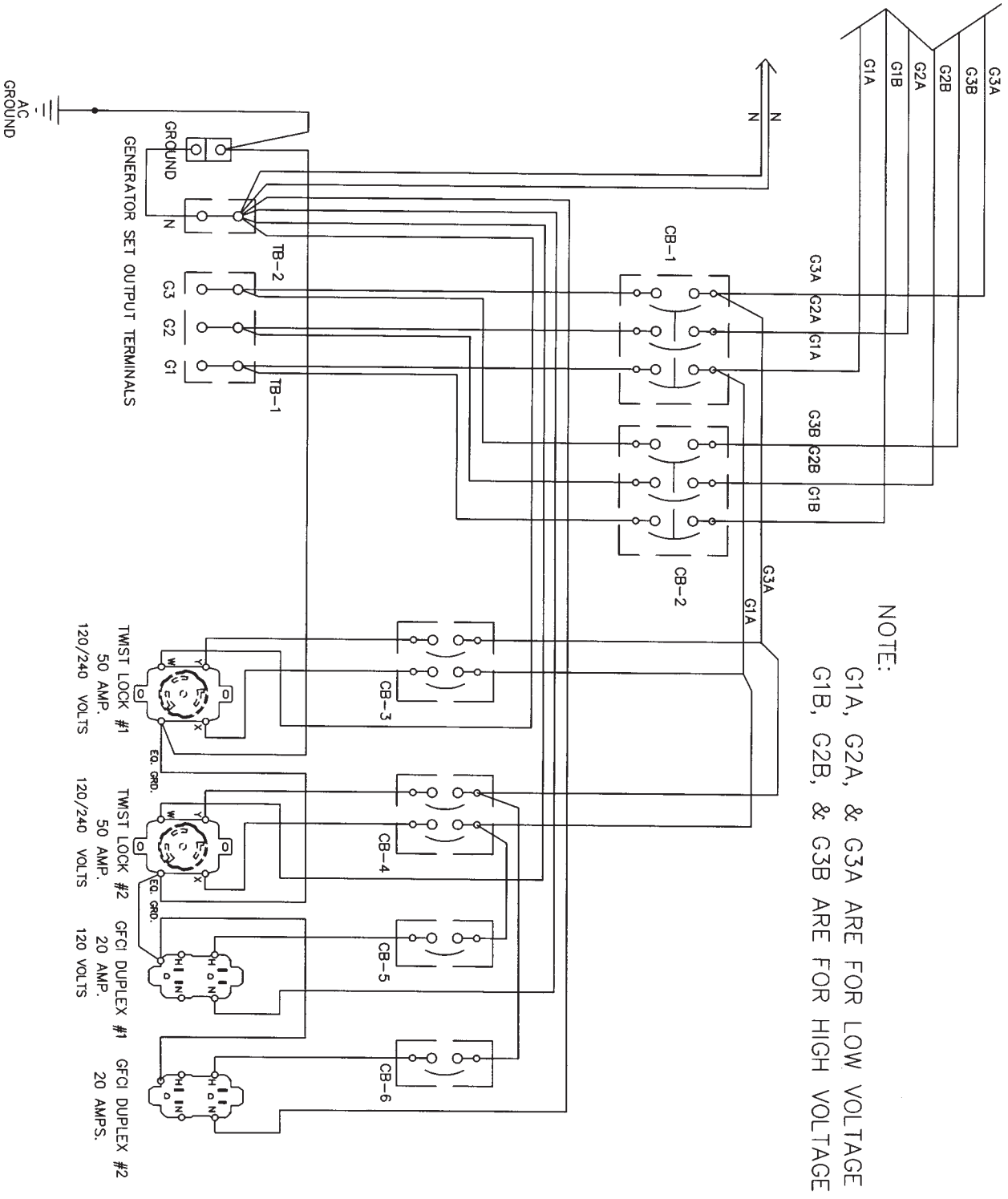
**GENERATOR
WIRING
DIAGRAM**



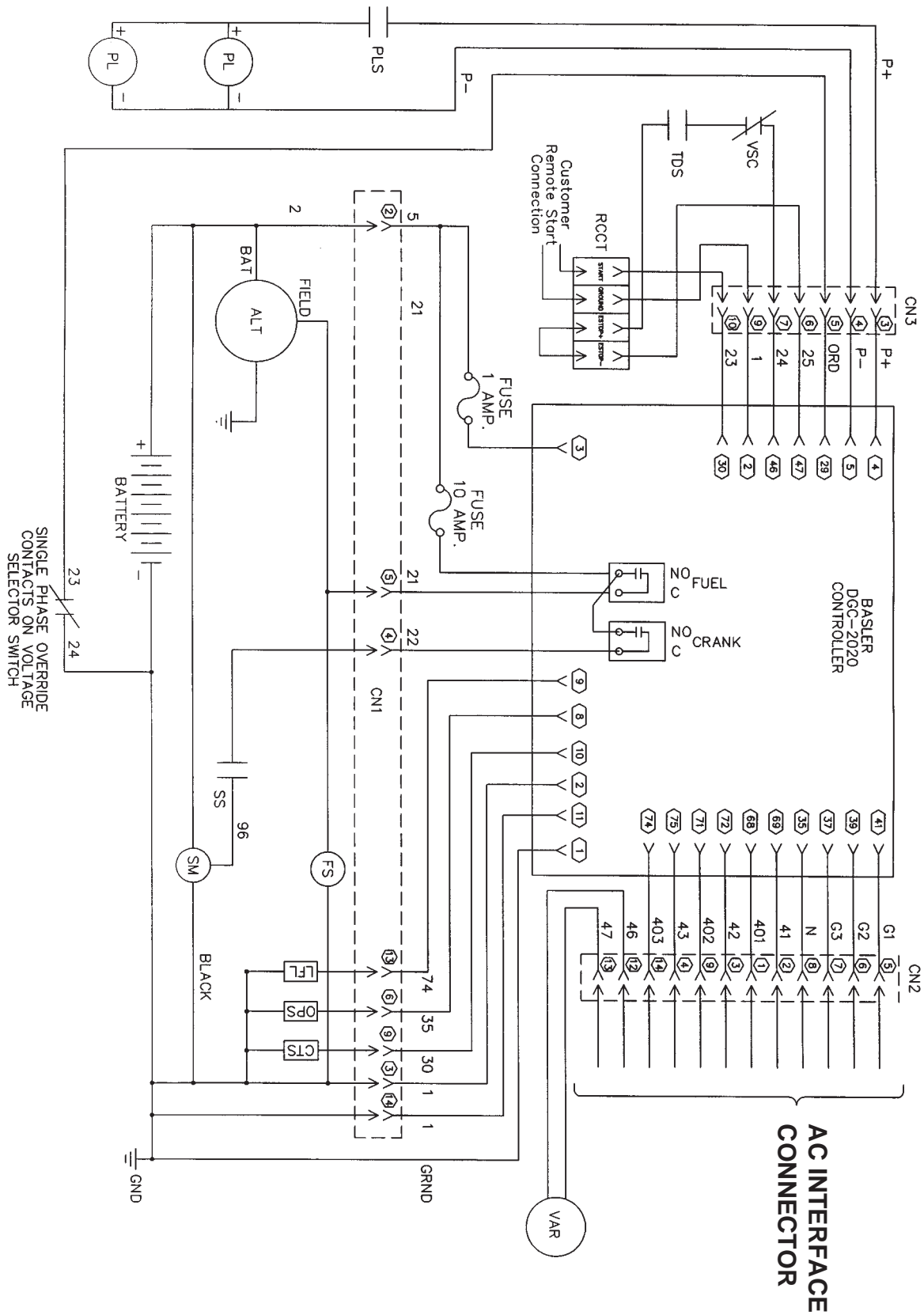
VOLTAGE SELECTOR SWITCH WIRING



CIRCUIT BREAKER/FULL POWER

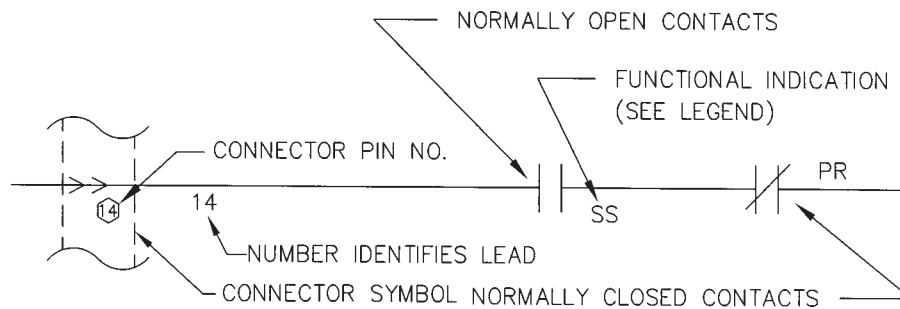


DC ELECTRICAL SCHEMATIC

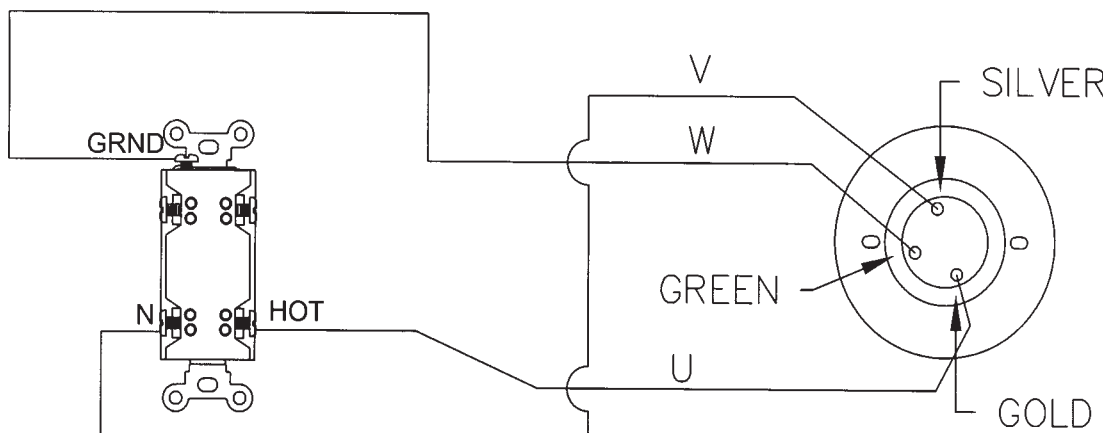


DC ELECTRICAL SCHEMATIC LEGEND

ALT	ALTERNATOR
CN1	16 PIN (LARGE CONNECTOR) ENGINE CONTROL HARNESS
CN2	14 PIN GEN END HARNESS
CN3	16 PIN (SMALL CONNECTOR) CONTROL PANEL HARNESS
CR	CRANK RELAY
CTS	COOLANT TEMPERATURE SENDER
FS	FUEL SOLENOID
GND	GROUND (CHASSIS OR FRAME)
LFL	LOW FUEL LEVEL
OPS	OIL PRESSURE SENDER
PL	PANEL LIGHT
PLS	PANEL LIGHT SWITCH
RCCT	REMOTE CUSTOMER CONNECTIONS TERMINAL
SM	ENGINE STARTER MOTOR
SS	ENGINE STARTER MOTOR SOLENOID
TDS	TERMINAL DOOR SWITCH
VAR	VOLTAGE ADJUSTMENT RHEOSTAT
VSC	VOLTAGE SELECTOR SAFETY CUT-OUT

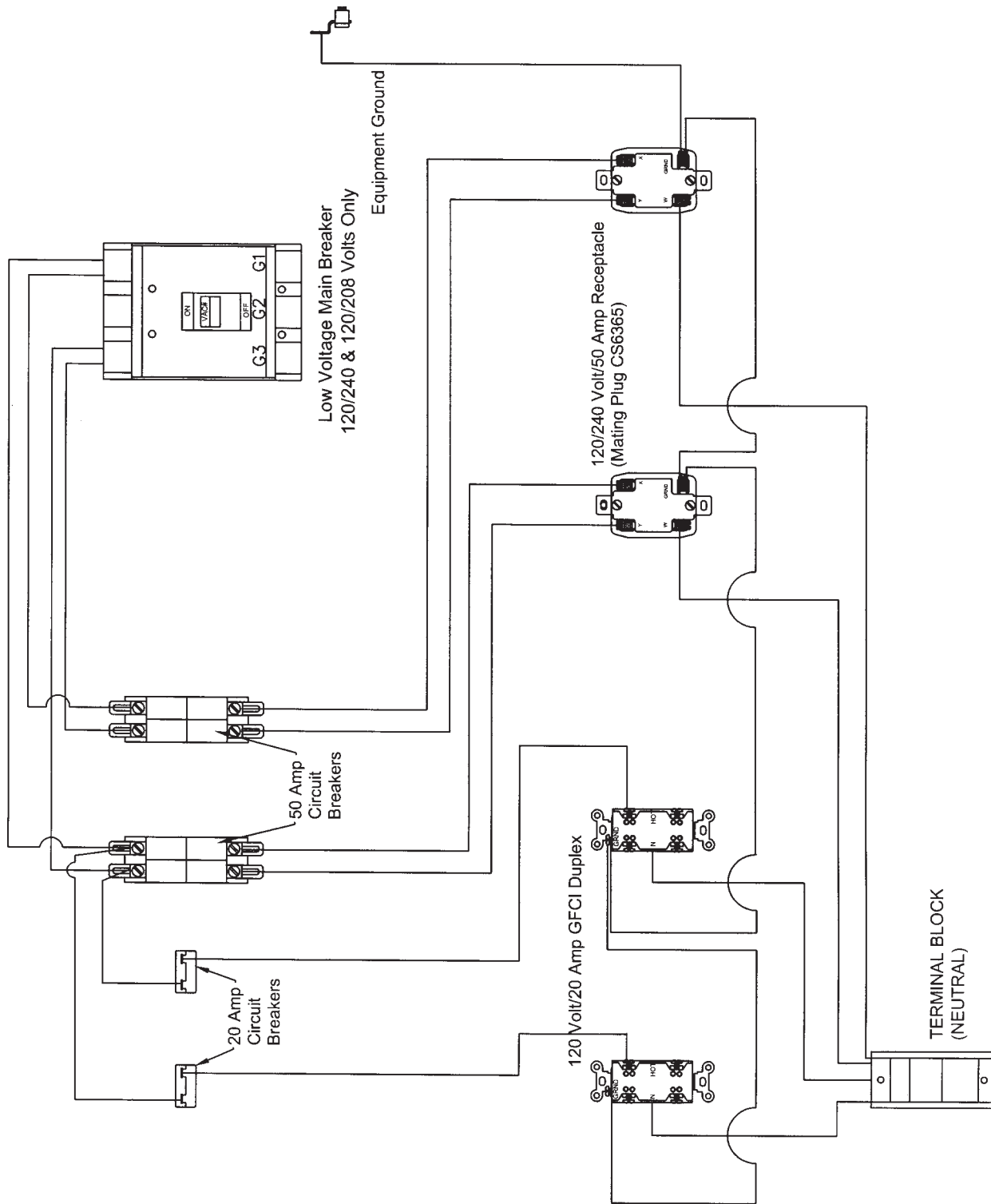


SHORE POWER CONNECTION



FOR BATTERY TENDER &
BLOCK HEATER

RECEPTACLE WIRING



WINGO INC
A Division of **DTE** Dyna Technology Inc
225 South Cordova Avenue
Le Center MN 56057
507-357-6831