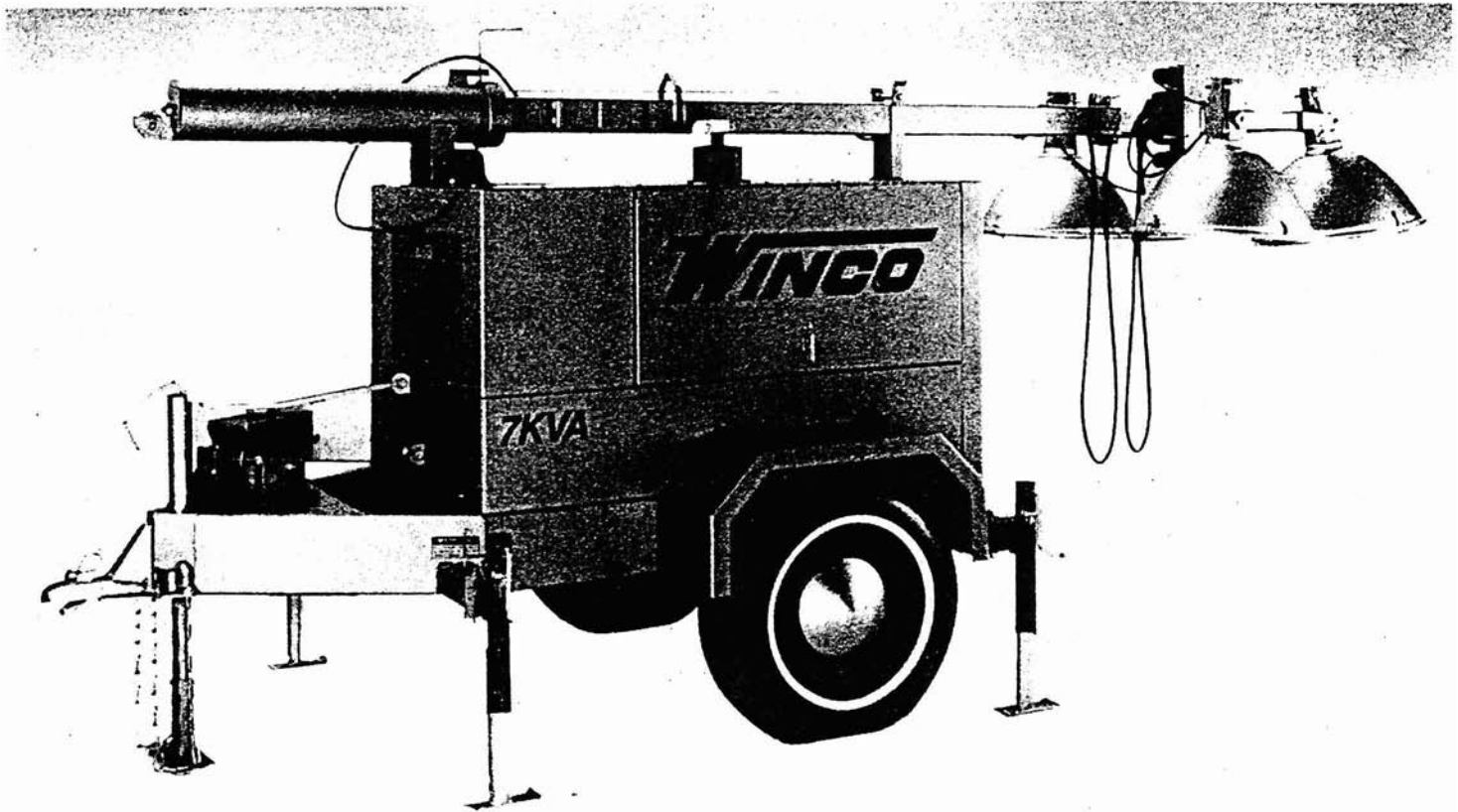


WINCO ILLUSTRATED PARTS LIST

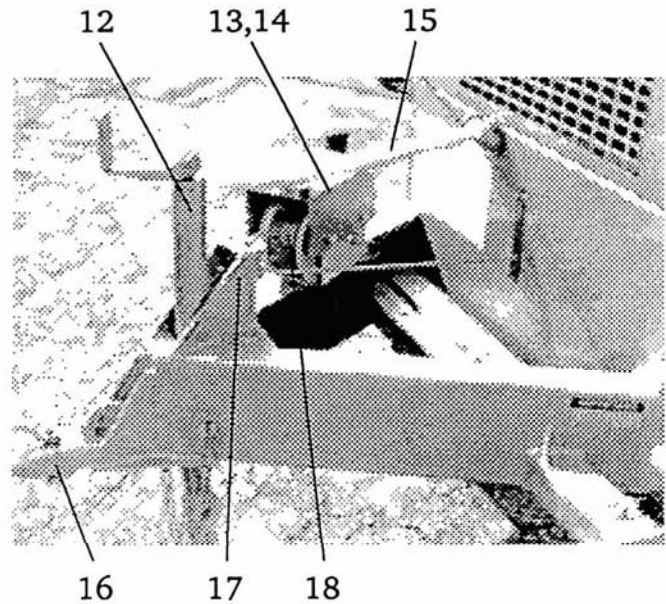
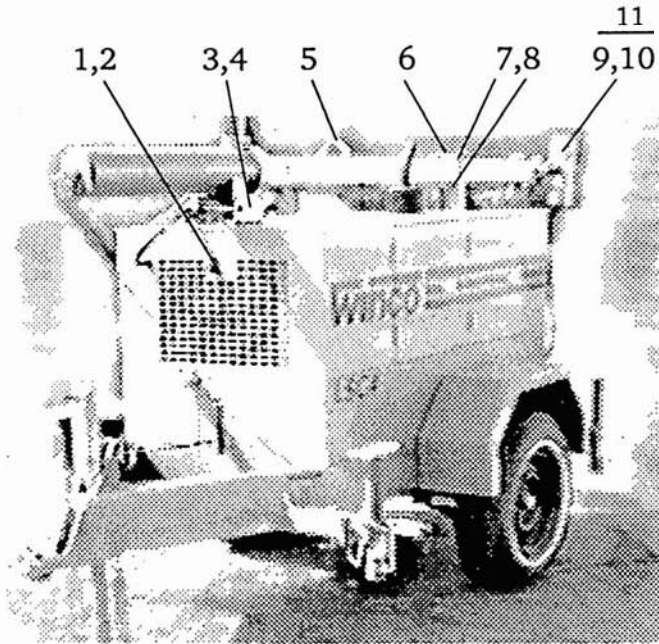
MODEL - LSC4-MH/A



INDEX	PAGE
TOWER	2, 5
LIGHT FIXTURE	3
HOUSING	4
TRAILER	2, 3
CONTROL BOX	6, 7
GENERATOR	8, 9
ENGINE	9, 10, 11
SCHEMATICS	12, 13

ILLUSTRATION 1 - TOWER ASSEMBLY

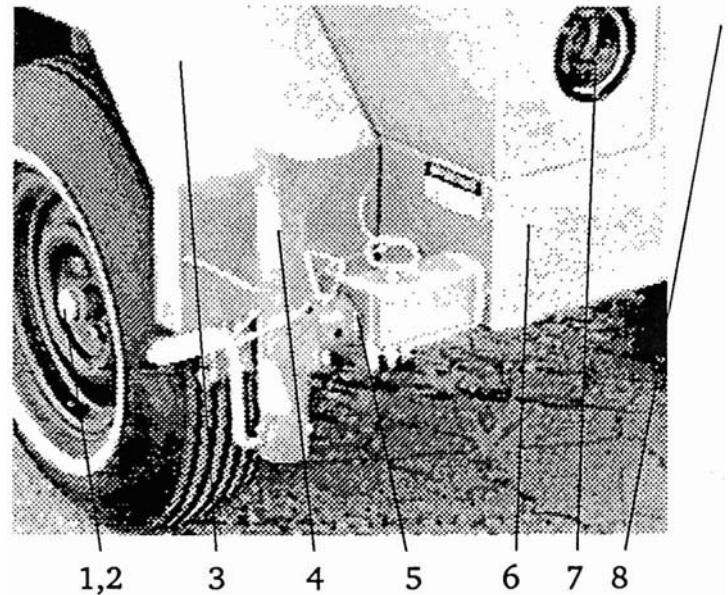
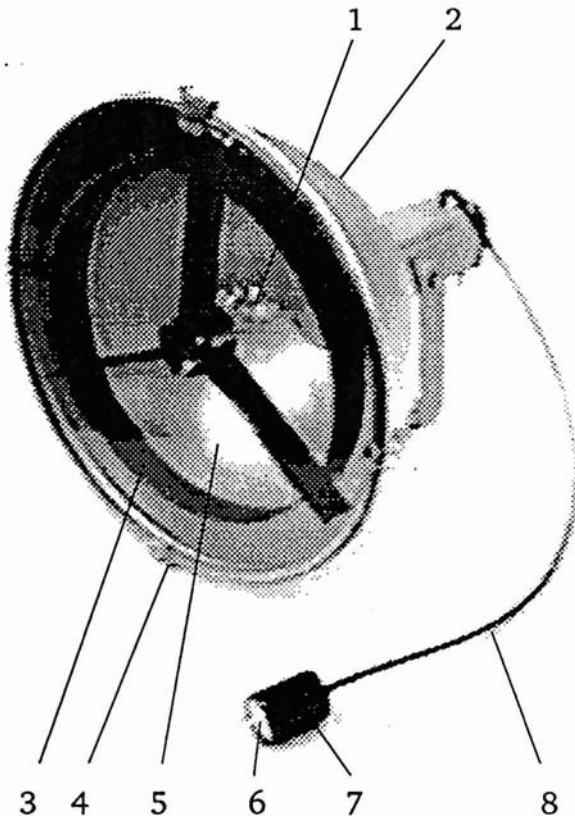
ILLUSTRATION 2 - HITCH MOUNTED PARTS



REF	DESCRIPTION	PART #	QTY
01	BUMPER - RUBBER	96959-000	1
02	SPRING	8909-000	1
03	TOWER PIVOT BRACKET	98293-000	1
04	TOWER PIVOT PIN	98431-000	1
05	TOWER ASS'Y. COMPLETE	96928-002	1
06	CLEVIS PIN WELDMENT	96802-001	1
07	TOWER SUPPORT WELDMENT	98205-000	1
08	RUBBER FOOT	20191-000	2
09	TERMINAL BOX	97938-001	1
10	RECEPTACLE - L9-20R	97907-000	4
11	TOWER WIRING ASS'Y.	98426-000	1
12	JACKSTAND ASS'Y.	98239-000	1
13	WINCH COVER BODY	98437-000	1
14	WINCH COVER END	98438-000	1
15	PIVOT BAR WELDMENT	96693-000	1
16 N.I.	PINTLE RING ADAPTER	91912-000	1
17	PULLEY(LONG)	96541-000	1
18	WINCH ASS'Y.	96804-000	1

ILLUSTRATION 3 - LAMP ASSEMBLY

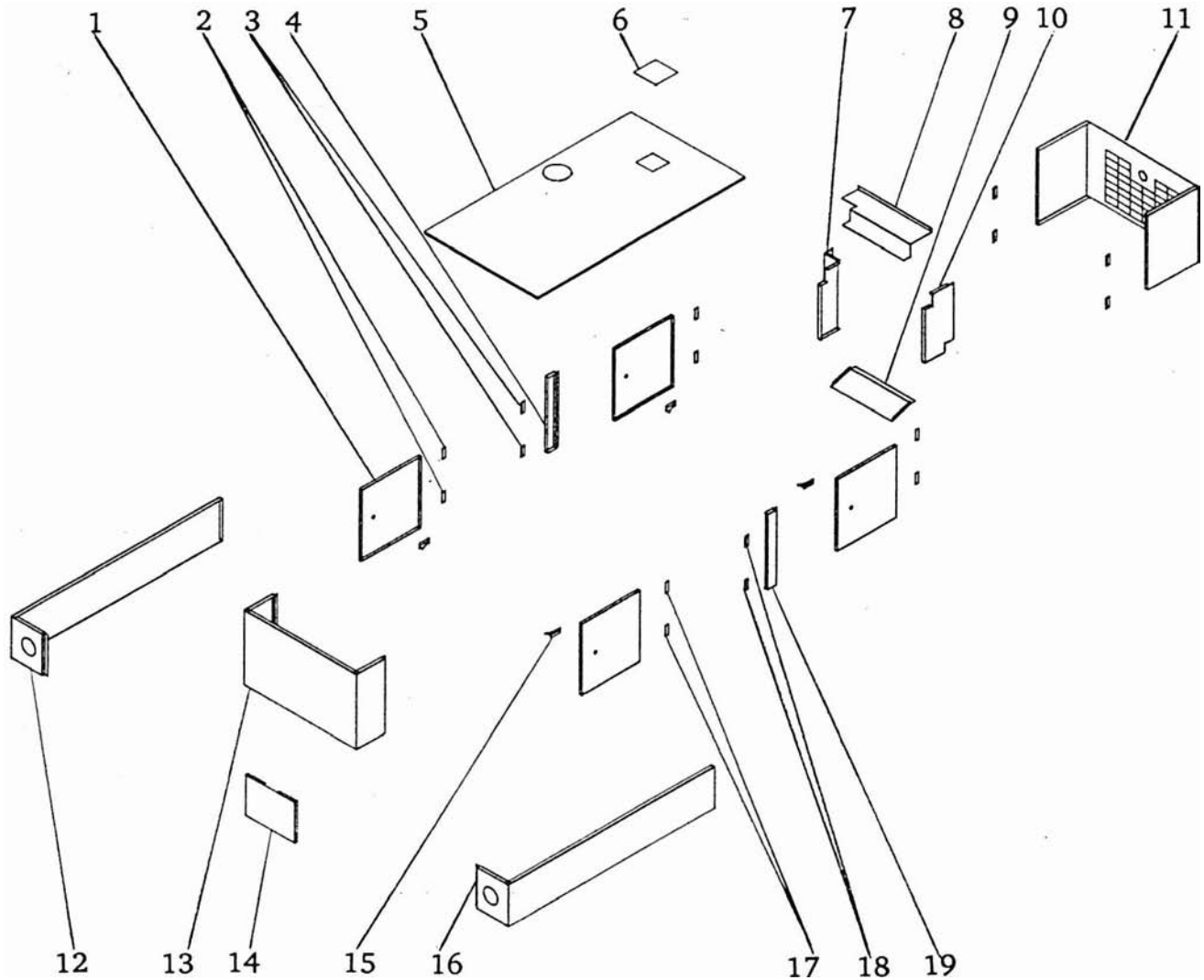
ILLUSTRATION 4 - TRAILER ASSEMBLY



REF	DESCRIPTION	PART #	QTY
ALL	FIXTURE & LAMP ASS'Y.	96944-003	1
01	LAMP - 1000 W MH	96941-001	1
02	LAMP FIXTURE ASS'Y. (Includes 4 & 5)	96938-701	1
03	LAMP SUPPORT	96940-000	1
04	LENS & FRAME ASS'Y.	96938-013	1
05	REFLECTOR	96938-011	1
06	PLUG - NEMA L9-20P	97909-000	1
07	COVER	97910-000	1

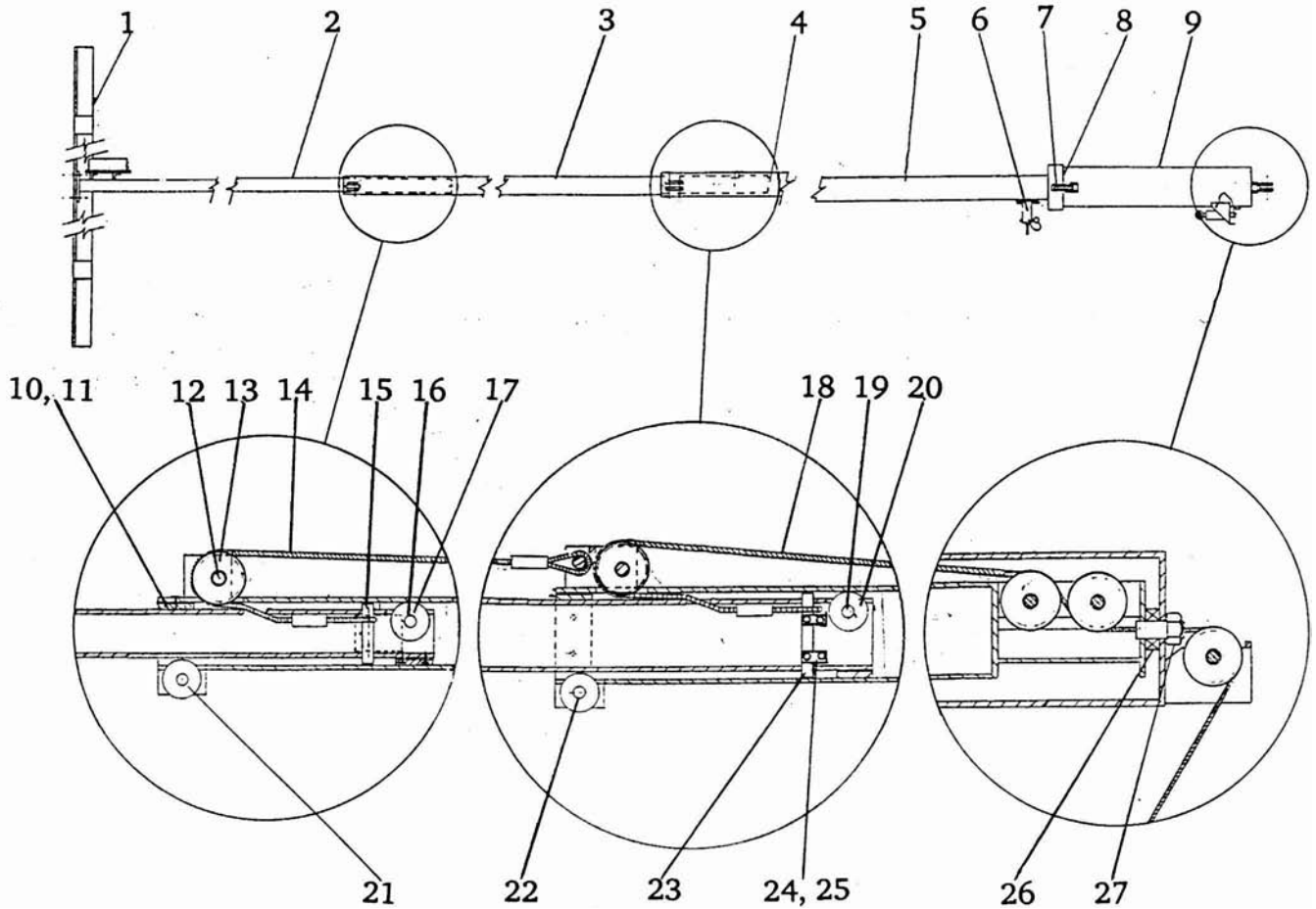
REF	DESCRIPTION	PART #	QTY
01	AXLE ASS'Y.	92414-001	1
02	TIRE & RIM ASS'Y.	92477-000	2
03	FENDER	98265-000	2
04	JACK - 2000 LB.	97887-000	4
05	OUTRIGGER ARM WELDMENT	97890-001	4
06	TRAILER SHELL WELDMENT	98234-000	1
07	STOP & TURN LIGHT	95710-000	2
08	LICENSE LIGHT (not illustrated)	95807-000	1

ILLUSTRATION 5 - HOUSING ASSEMBLY



REF	DESCRIPTION	PART #	QTY	REF	DESCRIPTION	PART #	QTY
01	DOOR ONLY - W/O HADWAR	98206-000	4	11	FRONT PANEL-HOUSING	98193-000	1
02	HINGE - LEFT SIDE	95719-003	4	12	SIDE PANEL-HOUSING	98216-001	1
03	HINGE W/PIN - LEFT SIDE	95719-004	4	13	REAR PANEL-HOUSING	98217-000	1
04	MULLION/JAMB - LEFT SIDE	98336-001	1	14	CLOSURE PANEL	98335-000	1
05	ROOF PANEL	98201-000	1	15	LATCH W/LOCK	95229-003	4
06	RADIATOR DOOR	62026-000	1	16	SIDE PANEL-HOUSING	98216-002	1
07	BAFFLE - RAD. LEFT SIDE	98369-000	1	17	HINGE - RIGHT SIDE	95719-001	4
08	BAFFLE - RAD. TOP	98368-000	1	18	HINGE W/PIN - RIGHT SIDE	95719-002	4
09	BAFFLE - RAD. LOWER	96810-000	1	19	MULLION/JAMB - RIGHT SIDE	98336-000	1
10	BAFFLE - RAD. RIGHT SIDE	98370-000	1				

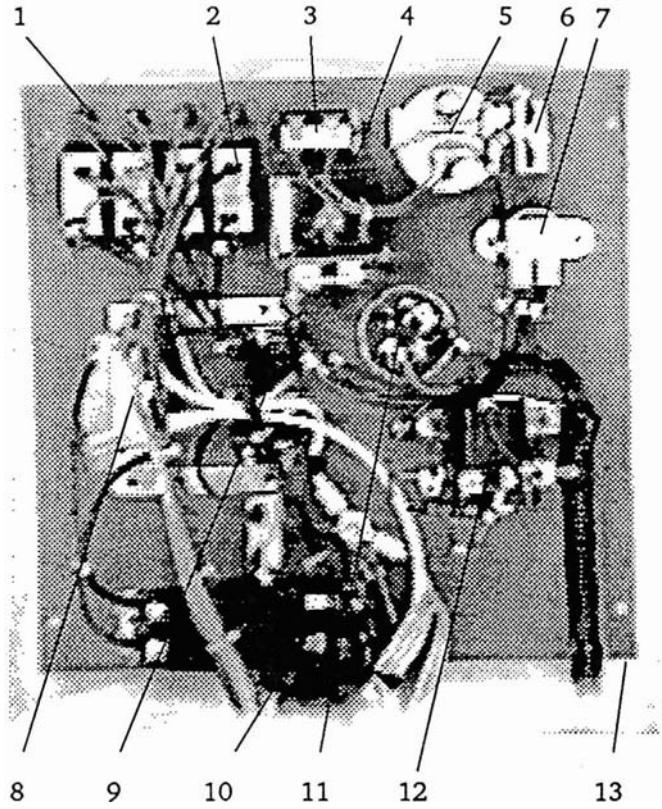
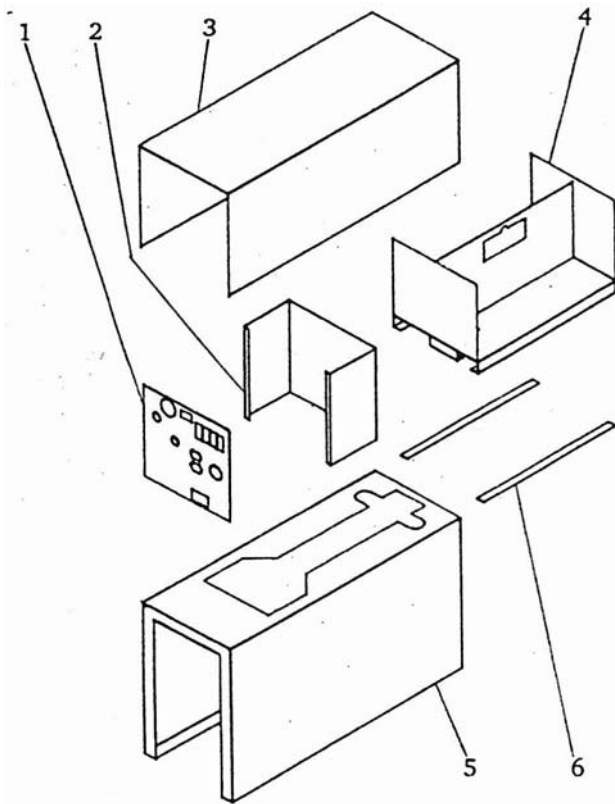
ILLUSTRATION 6 - TOWER ASSEMBLY



REF	DESCRIPTION	PART #	QTY	REF	DESCRIPTION	PART #	QTY
ALL	TOWER ASSEMBLY COMPLE	96928-002	1	15	PIN	96610-002	1
01	T-BAR WELDMENT	96689-001	1	16	PIN	96793-002	1
02	TOWER WELDMENT - 2"	96668-000	1	17	ROLLER	97354-001	2
03	TOWER WELDMENT - 3"	96622-000	1	18	CABLE	96838-001	1
04	STOP WELDMENT	96612-000	1	19	PIN	96793-003	1
05	TOWER WELDMENT - 4"	96619-000	1	20	ROLLER	97354-002	2
06	LATCH	96677-001	1	21	CLEVIS PIN	97356-001	1
07	HANDLE	96676-000	1	22	CLEVIS PIN	97356-002	1
08	LINER PAD	96589-000	1	23	PIN	96610-001	1
09	HOUSING WELDMENT	96673-000	1	24	PAD	96621-000	2
10	PAD	96599-000	11	25	SHIM	96597-000	2
11	SHIM	96598-000	11	26	THRUST BEARING	95929-000	1
12	CLEVIS PIN	96857-001	6	27	LOCKNUT	62232-000	1
13	PULLEY	96935-000	5				
14	CABLE ASS'Y.	96839-000	1				

ILLUSTRATION 7 - CONTROL/BALLAST CAB.

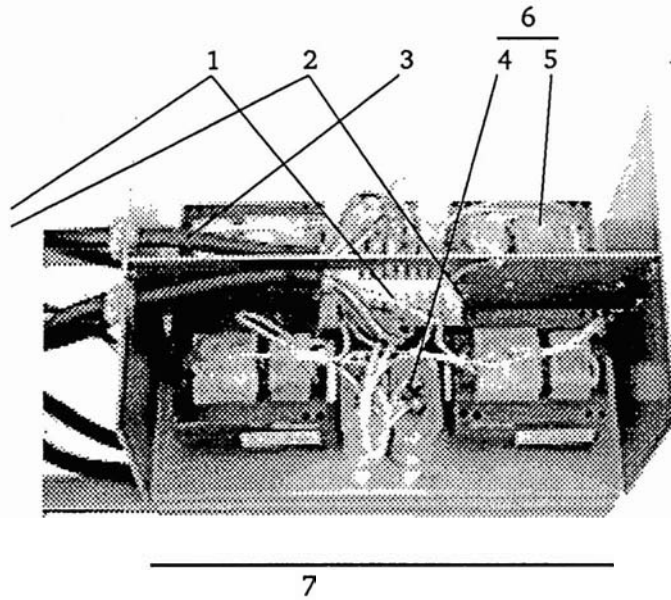
ILLUSTRATION 8 - CONTROL PANEL



REF	DESCRIPTION	PART #	QTY
01	FRONT PANEL (BARE)	98428-000	1
02	LINER-CONTROL BOX	98211-000	1
03	COVER-CONTROL BOX	98231-000	1
04	BALLAST TRAY WELDMENT	98199-000	1
05	SUPPORT	98200-000	1
06	SLIDE-BALLAST TRAY	98423-000	2

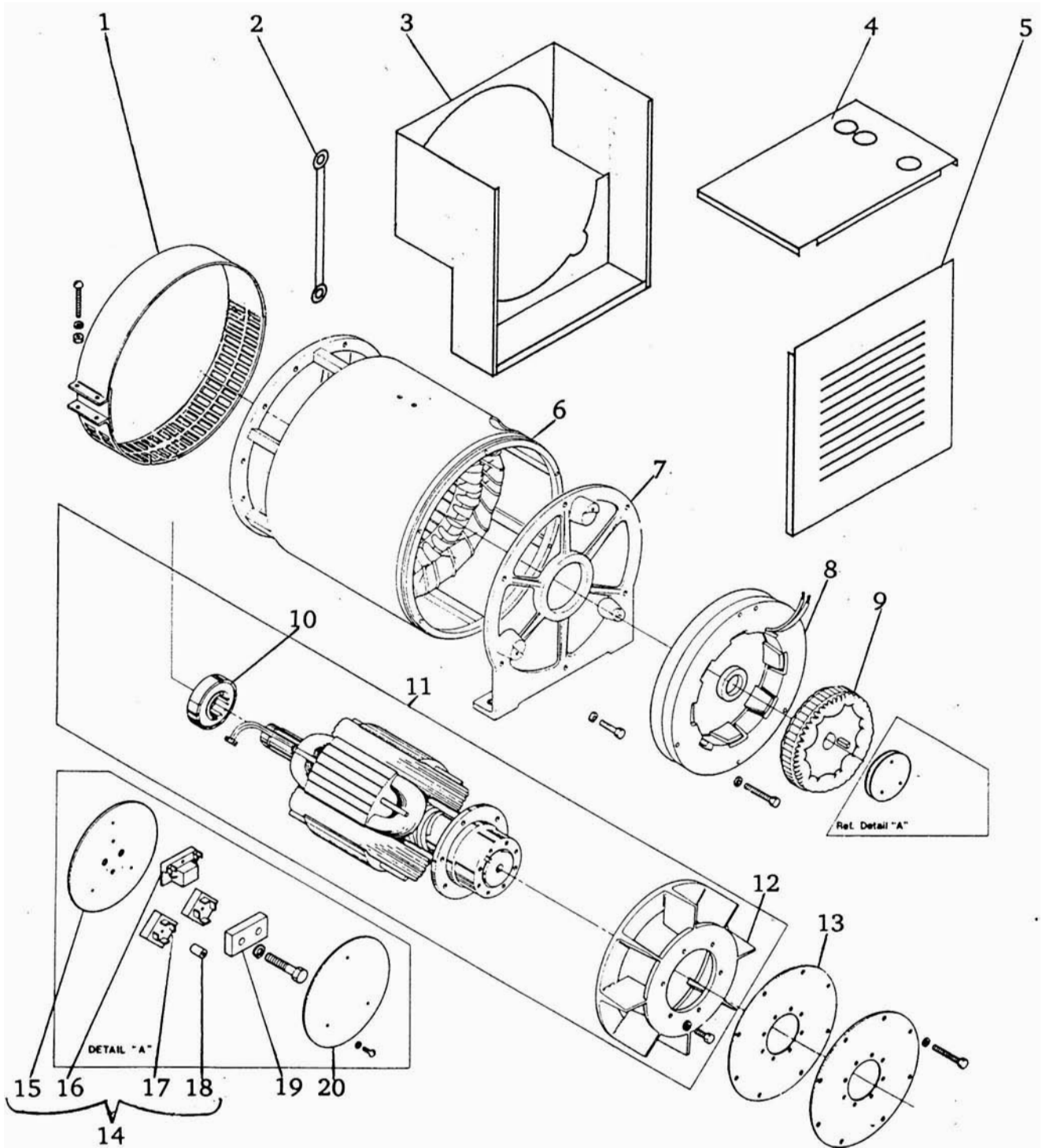
REF	DESCRIPTION	PART #	QTY
ALL	CONTROL PANEL ASSEMBLY	98429-400	1
01	LAMP 240V GREEN	57991-002	4
02	CIR.BRK. 15A 1PL W/LIG	94387-003	4
03	ELAP.TIME MTR. 4-40DC	58166-006	1
04	SAFETY LATCH.RELAY	91688-001	1
05	FUEL GAUGE	95648-000	1
06	CIR.BRK. 15A-1PL	91286-000	2
07	GLOW PLUG INDICATOR	96577-002	1
08	RECEPT NEMA L14-30R	97360-000	1
09	RECEPT NEMA 5-15R	24749-000	1
10	CIR.BRK. 30A-2PL-240V	57030-002	1
11	START SWITCH	72252-001	1
12	SOLENOID 12VDC	80980-000	1
13	FRONT PANEL (BARE)	98428-000	1

ILLUSTRATION 9 - BALLAST ASSEMBLY



REF	DESCRIPTION	PART #	QTY
01	TERMINAL BLOCK-600 V	98407-000	16
02	END MOUNT-TERM.BLOCK	98408-000	2
03	CORD	98312-000	14'
04	CAPACITOR-24mfd,450VAC	96946-00X	4
05	TRANSFORMER - MH	96946-00Y	4
06	BALLAST SET - MH	96946-000	4
07	BALLAST ASSY.W/O CORDS	98424-000	1

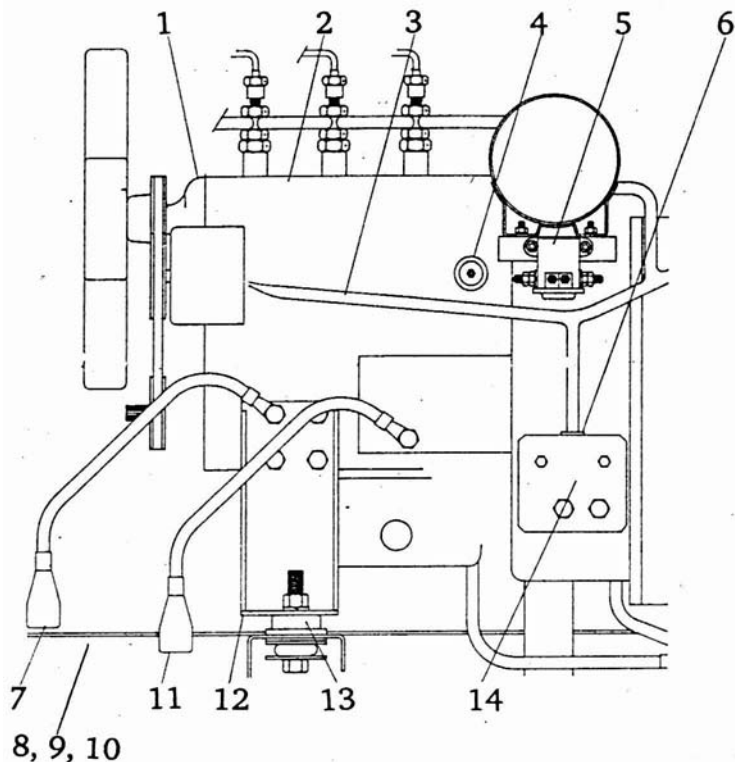
ILLUSTRATION 10 - GENERATOR ASSEMBLY



GENERATOR (CONTINUED)

ILLUSTRATION 11 - ENGINE, MOUNT, AND DC ELECTRICAL SYSTEM

REF	DESCRIPTION	PART #	QTY
01	COVER FORMED	91337-000	1
02	GROUND STRAP	95231-000	1
03	WELDED BOX ASS'Y.	92145-002	1
04	TOP COVER	92146-000	1
05	FRONT COVER	92152-000	1
06	STATOR, BAR, AND RING AS	91527-029	1
07	END BRACKET MACHINED	91517-001	1
08	EXCITOR STATOR ASS'Y.	91665-001	1
09	EXCITOR ROTOR WOUND	91442-000	1
10	BEARING	91627-000	1
11	MAIN ROTOR ASS'Y.	91528-005	1
12	IMPELLER	94558-000	1
13	ADAPTER DRIVE DISK	91523-000	2
14	ROTATING RECTIFIER ASS	91413-000	1
15	RETAINER	91412-000	1
16	SURGE SUPPRESSOR	91455-000	1
17	RECTIFIER BRIDGE	91452-000	2
18	SPACER - #10-32X3/4	91454-001	3
19	EXCITOR BAR	93616-000	1
20	COVER - ROT. RECTIFIER	91411-001	1



REF	DESCRIPTION	PART #	QTY
01	TEMPERATURE SWITCH	98409-000	1
02	ENGINE-KUBOTA D950-BG	96577-001	1
03	ENGINE WIRING HARNESS	97334-003	1
04	OIL PRESSURE SWITCH	98410-000	1
05	START SOLENOID-12 VDC	80980-000	1
06	CONNECTER	96577-004	1
07	NEG.BAT.CABLE-1GA,12"	53220-040	1
08	BATTERY - 12V,610A	80765-001	1
09	BATTERY HOLD-DOWN	75111-002	1
10	BOLT-BAT.HOLD-DOWN	75112-000	2
11	POS.BAT.CABLE-1GA,18"	53220-039	1
12	ENGINE FOOT WELDMENT	96617-000	2
13	VIBRATION MOUNT	96603-000	4
14	VOLTAGE REGULATOR-12V	96577-005	1

ILLUSTRATION 12 - AIR FILTER & FUEL SYSTEM

REF	DESCRIPTION	PART #	QTY
1	AIR FILTER	97275-001	1
2	AIR INLET HOOD	97277-002	1
3	ELBOW - 90 DEG.	97278-001	1
4	TUBE - AIR INLET	97295-000	1
5	ELBOW - 90 DEG.	97812-000	1

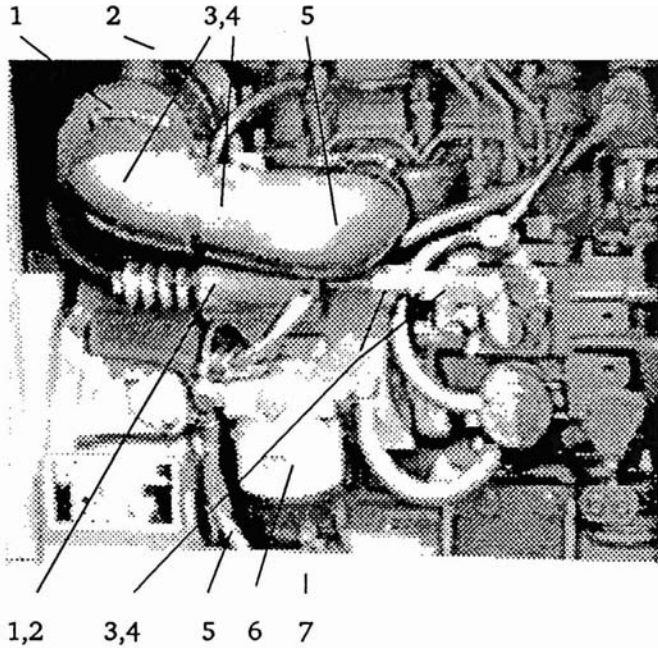


ILLUSTRATION 13 - FUEL SYSTEM

REF	DESCRIPTION	PART #	QTY
01	SOLENOID W/O CONNECTOR	95864-001	1
02	SOLENOID W/ CONNECTOR	97302-400	1
03	YOKE	97301-002	1
04	LINK	96637-001	1
05	HOSE 1/4 I.D.NEOPRENE	40078-000	61"
06	FUEL FILTER	97303-000	1
07a	ELECTRIC FUEL PUMP W/O CON.	81332-001	1
07b	ELECTRIC FUEL PUMP W/ CONN.	97340-000	1
08	FUEL TANK - 18 GAL.	98307-000	1
09	FUEL LEVEL SENDER	98433-000	1
10	ELBOW	98435-000	2
11	BUSHING - RUBBER	62409-000	2
12	HOSE-1/4 ID(not shown)	63466-000	16"
13	PICKUP(not shown)	63465-000	2
14	FUEL CAP	98434-000	1
15	TANK STRAP WELDMENT	98392-000	3
16	WEB - NYLON	93691-000	72"

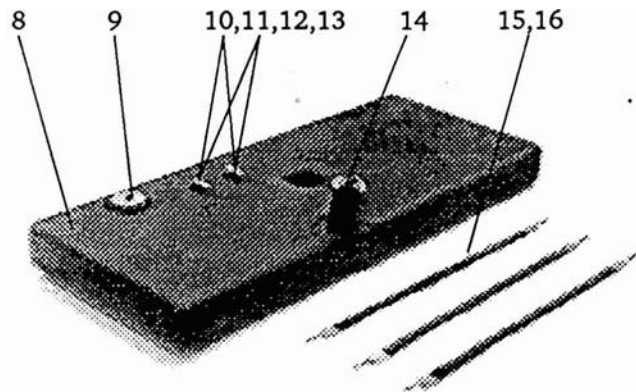
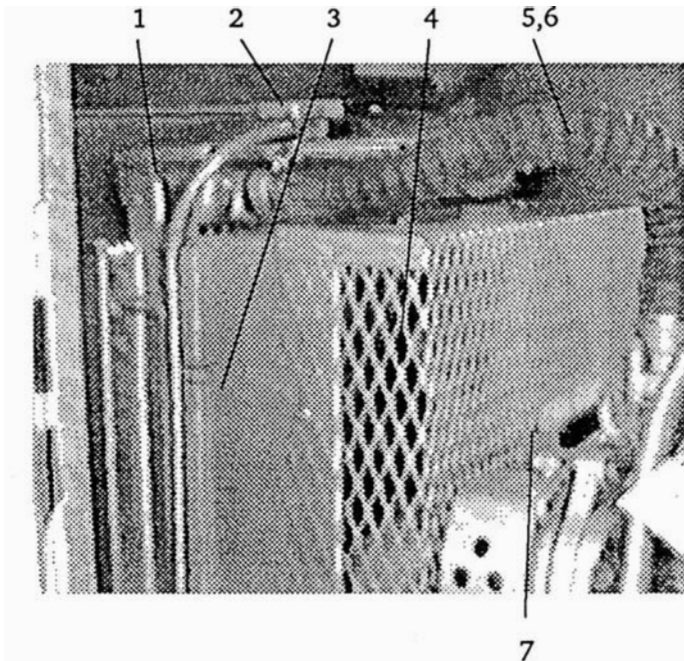
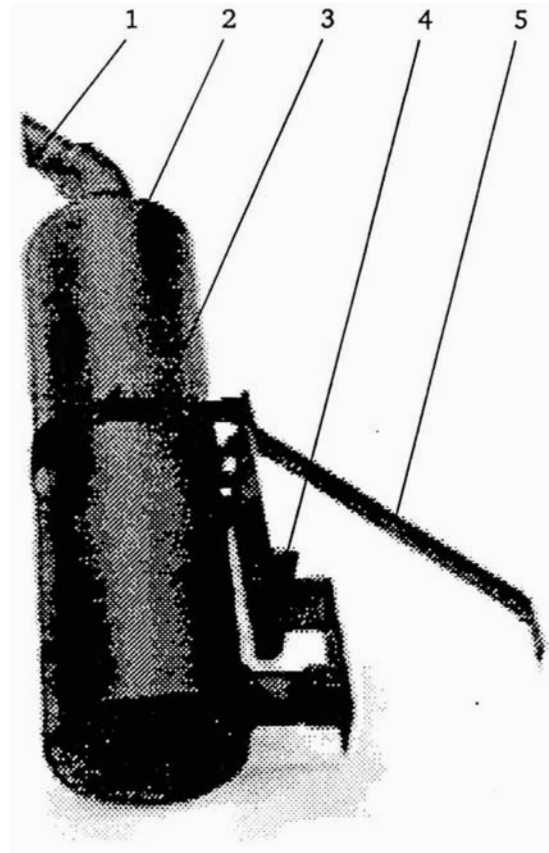


ILLUSTRATION 14 - COOLING SYSTEM



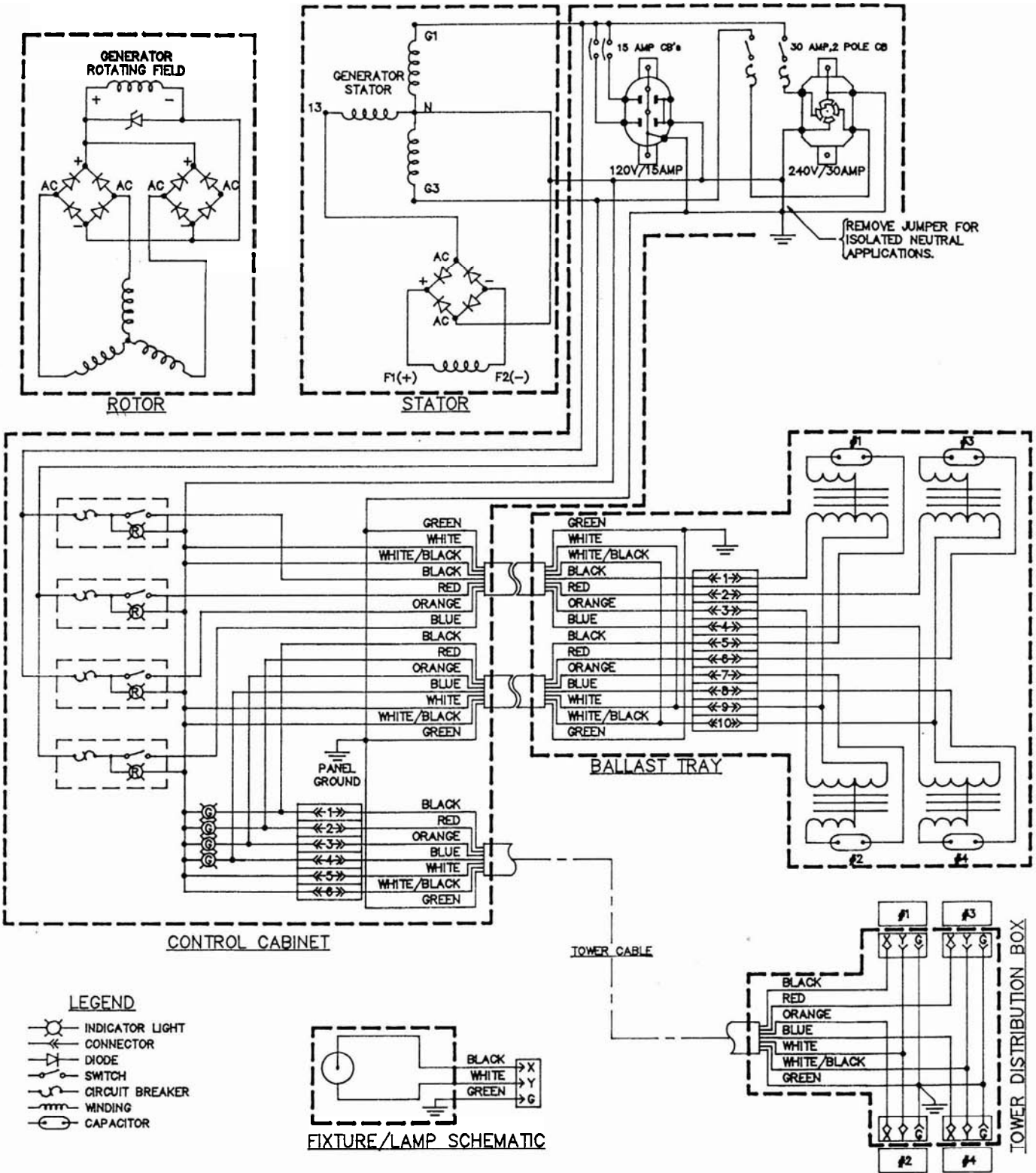
REF	DESCRIPTION	PART #	QTY
1	RADIATOR	97343-000	1
2	RADIATOR CAP	92713-000	1
3	FAN SHROUD	96791-000	1
4	FAN GUARD	96863-000	1
5	HOSE-UPPER	92979-016	1
6	HOSE-LOWER(not shown)	92979-015	1
	FAN SPACER	95854-001	1
	PETCOCK VALVE(not show)	93824-001	1

ILLUSTRATION 15 - EXHAUST SYSTEM

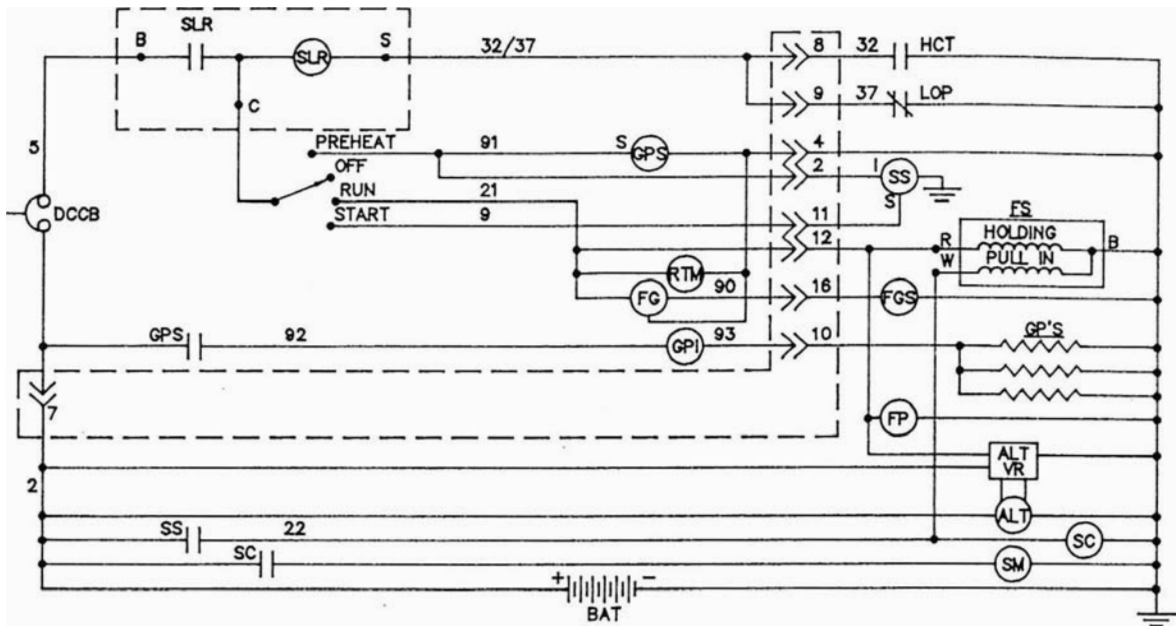


REF	DESCRIPTION	PART #	QTY
1	TAIL PIPE	98467-000	1
2	MUFFLER - RESIDENTIAL	96125-000	1
3	BRACKET	93484-008	1
4	BRACKET WELDMENT	98455-000	1
5	BRACE	98456-000	1

AC SCHEMATIC DIAGRAM - # 97392-002

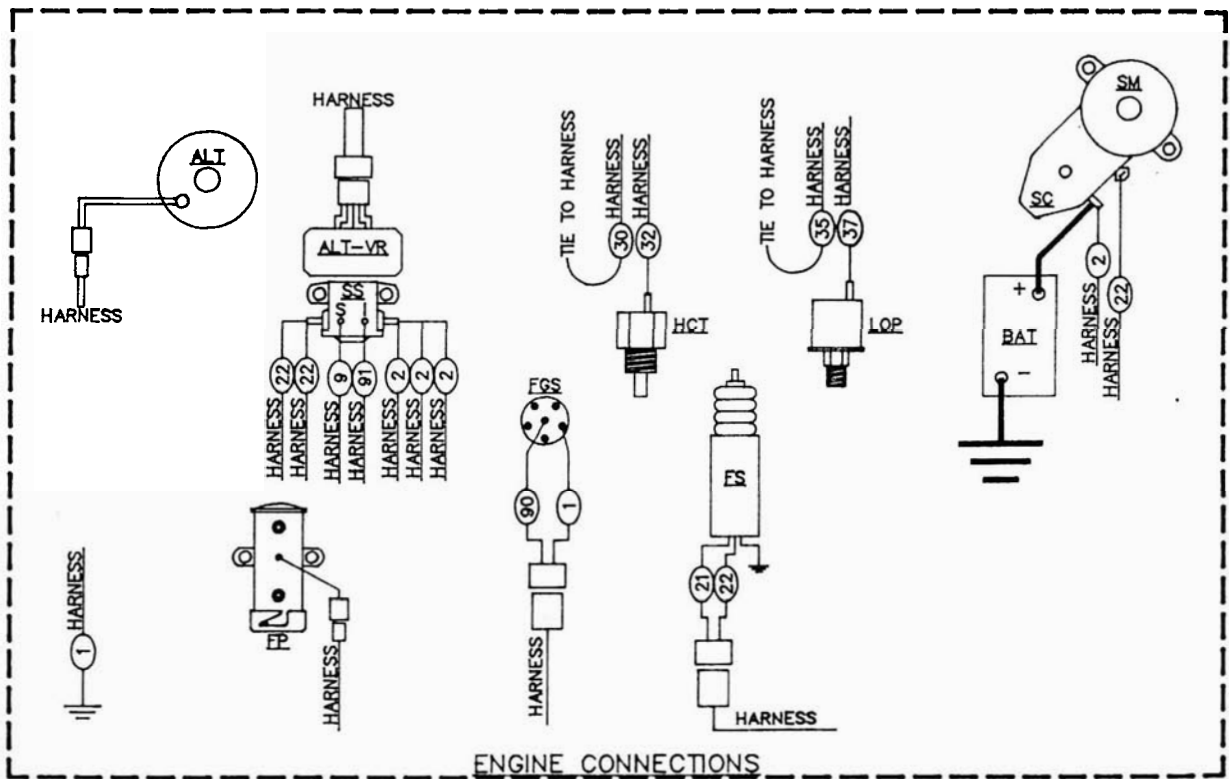


DC SCHEMATIC DIAGRAM - # 98446-000



LEGEND

ALT	ALTERNATOR	GPI	GLOW PLUG INDICATOR
ALT-VR	ALTERNATOR VOLT-REGULATOR	GPS	GLOW PLUG SOLENOID
BAT	BATTERY	HCT	HIGH COOLANT TEMP. SWITCH
DCCB	DC CIRCUIT BREAKER	LOP	LOW OIL PRESSURE SWITCH
FG	FUEL GAUGE	CN	CONNECTOR - ENGINE
FGS	FUEL GAUGE SENDER	RTM	RUNNING TIME METER
FP	FUEL PUMP	SC	START CONTACTOR
FS	FUEL RACK SOLENOID	SLR	SAFETY LATCHING RELAY
GND	GROUND	SM	STARTING MOTOR
GP'S	GLOW PLUGS	SS	START SOLENOID



UNIT MODEL SERIES	LSC4-MH/A
AC RESIDUAL VOLTS	35 VAC L-L
12 VDC SEP. EX.	200 VAC L-L
EXCITER FIELD RESIST.	2.6 OHMS
EXCITER ARM PER PHASE	0.35 OHMS
MAIN FIELD RESISTANCE	2.6 OHMS
MAIN STATOR PER COIL	0.28 OHMS
WINDING SPEC (SS#)	1362
ARM CONNECTION (AC#)	347
AC GENERATOR WIRING	98451-000
AC CONTROL PANEL WIRING	98429-000
AC BALLAST WIRING	98424-000
AC TOWER WIRING-MH	98430-000
ENGINE CONTROL WIRING	98429-000
DC CONTROL PANEL WIRING	98429-000
AC SCHEMATIC COMPLETE	97392-002
DC SCHEMATIC COMPLETE	98446-000

REV DC 9297-1