

WINCO[®] INC

ILLUSTRATED PARTS LIST

EC75PSB4G-17/A



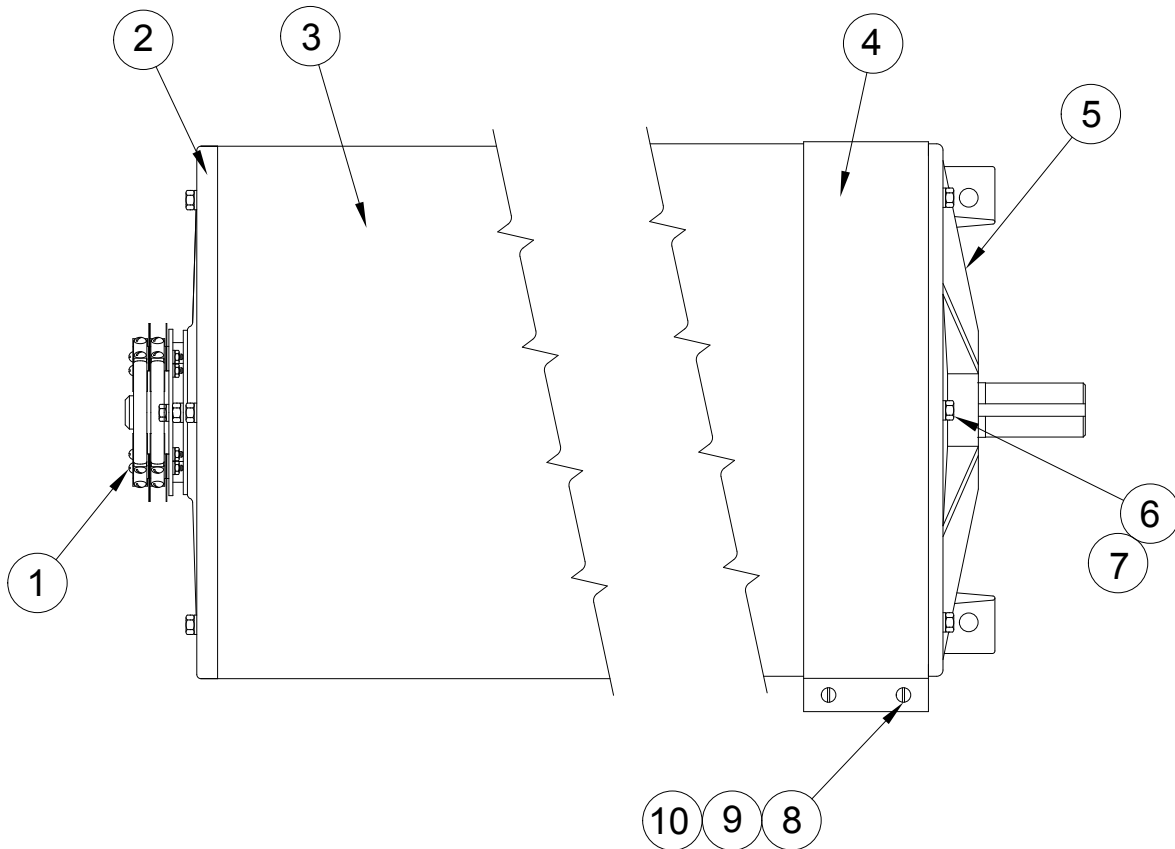
**WINCO INC.
225 S. CORDOVA AVE.
LECENTER, MN 56057
507-357-6821
SERVICE DEPT.
507-357-6831
www.wincogen.com**

COMPLETE ASSEMBLY



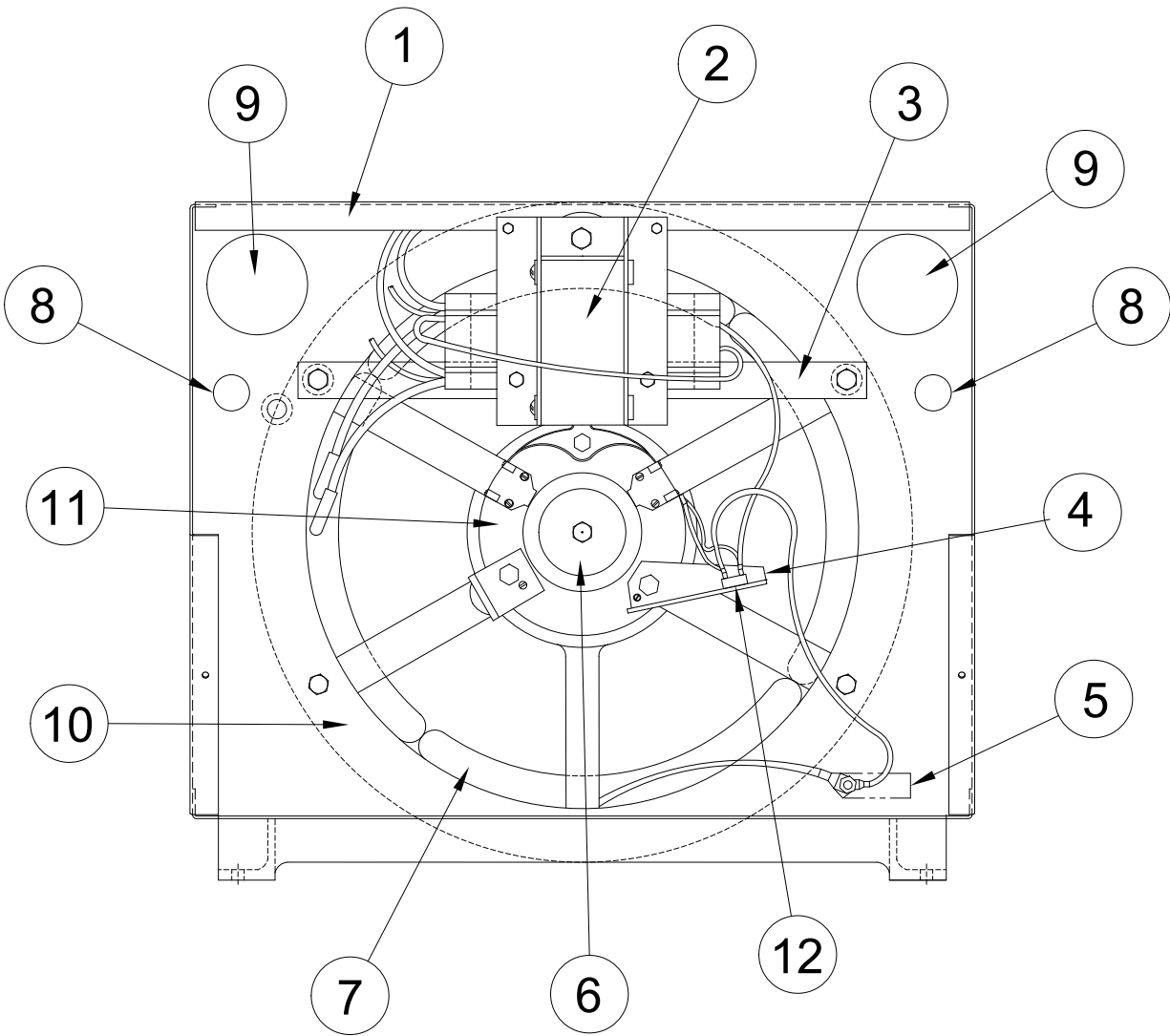
REF #	PART NUMBER	QTY	DESCRIPTION
1	64582-000	1	3/8" x 3/8" x 3" Key
2	91381-001	1	Drive End Bracket
3	91137-700	1	Eye Bolt
4	91337-000	1	Cooling Air Screen
5	91293-001	1	Complete Stator Assembly
6	98969-000	1	Louvered Cover
NI	15750-001	1	Ground Decal
NI	91327-000	1	Winco Decal
NI	Not Illustrated		

STATOR & END BRACKET ASSEMBLY

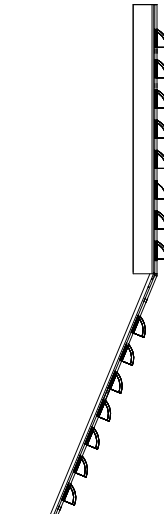
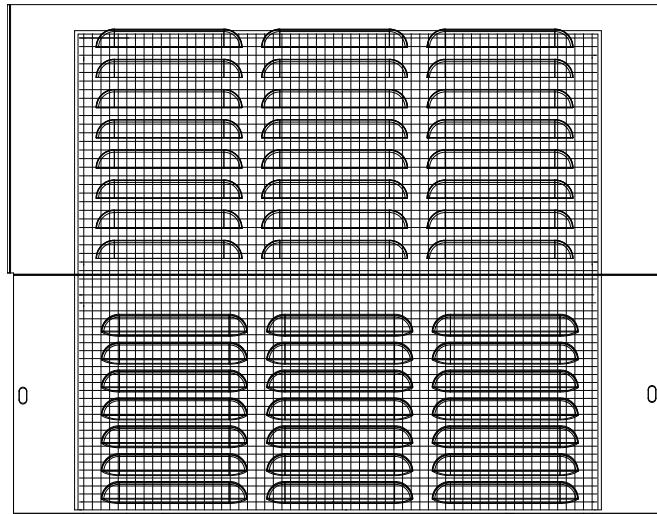


REF #	PART NUMBER	QTY	DESCRIPTION
1	91251-000	1	Brush Holder Assembly
2	91212-000	1	Machined End Bracket
3	91293-001	1	Complete Stator Assembly
4	91337-000	1	Cooling Air Screen
5	31381-001	1	Drive End Bearing Bracket
6	91256-000	6	7/16"-14 X 1 3/4" Bolt
7	90570-000	6	7/16"-14 Lock Washer
8	639-000	2	1/4"-20 X 1 1/2" Round Head Bolt
9	479-000	2	1/4" Lock Washer
10	638-000	2	1/4"-20 Hex Nut

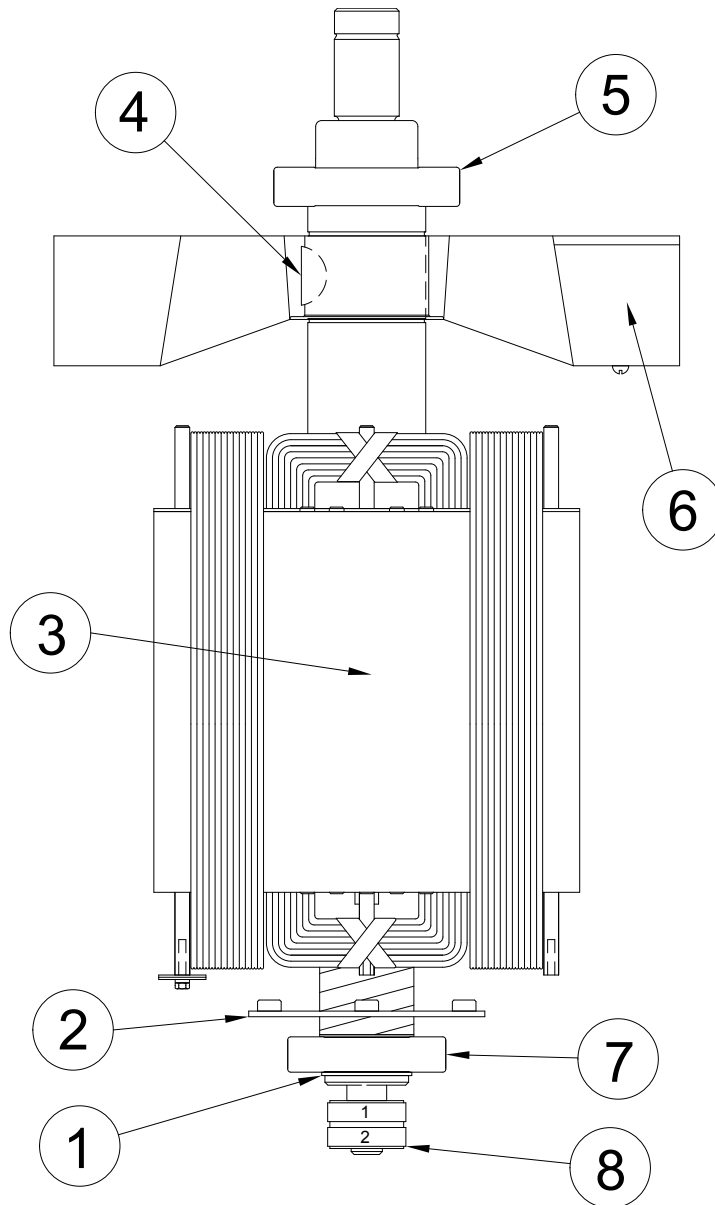
END COVER ASSEMBLY



REF #	PART NUMBER	QTY	DESCRIPTION
1	98832-000	1	Control Box
2	91397-002	1	Transformer
3	91242-000	1	Strap
4	91178-000	1	Bracket Assembly
5	15750-001	1	Ground Decal
6	91304-001	1	Complete Rotor Assembly
7	91293-001	1	Complete Stator Assembly
8	15102-001	2	7/8" Hole Plug
9	15102-002	2	2 1/2" Hole Plug
10	91212-000	1	Machined End Bracket
11	91251-000	1	Brush Holder Assembly
12	91452-000	1	Bridge Rectifier
see below	98969-000	1	Louvered Cover

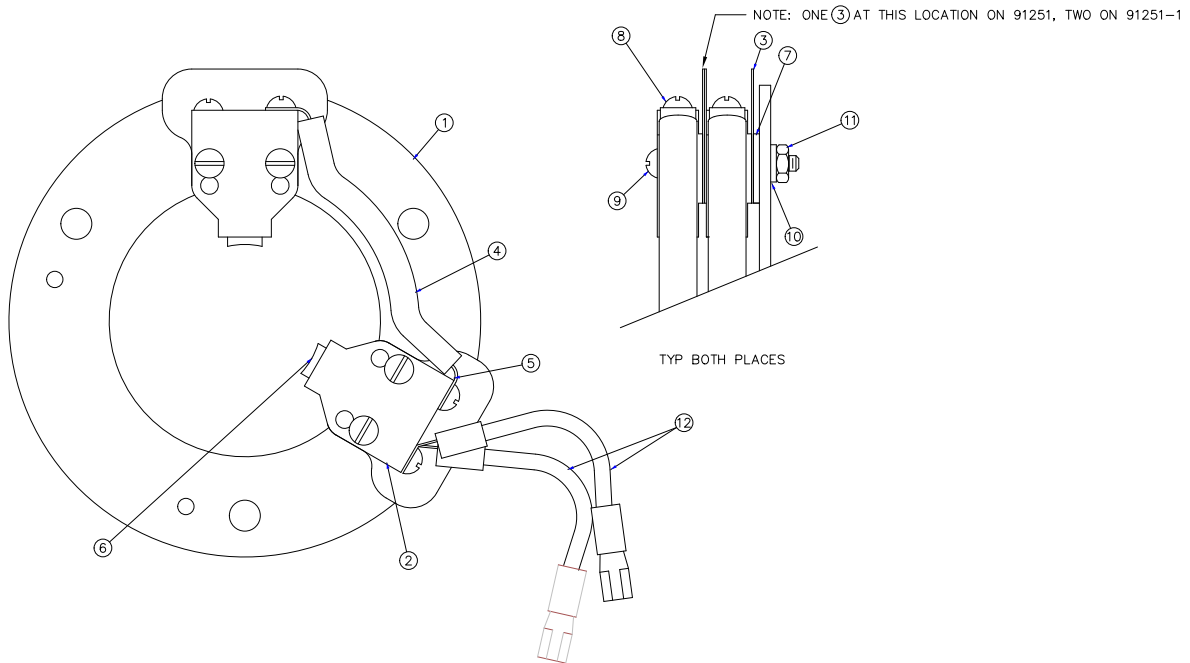


COMPLETE ROTOR ASSEMBLY



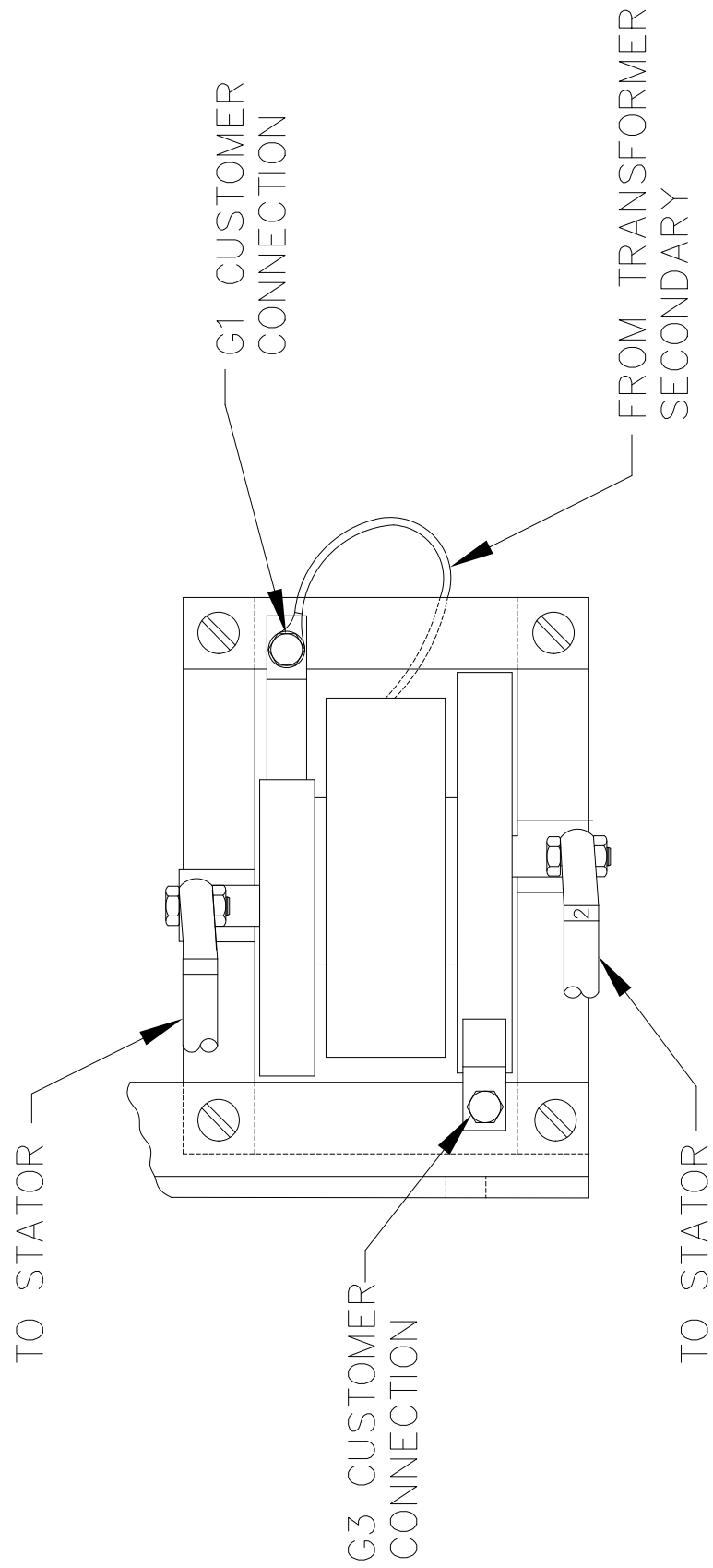
REF #	PART NUMBER	QTY	DESCRIPTION
1	91238-000	1	Retaining Ring
2	91196-000	1	Retainer Ring Assembly
3	91304-001	1	Complete Rotor Assy. Includes Bearings & Fan
4	91158-000	1	Woodruff Key
5	93174-000	1	Bearing
6	91101-000	1	Impellor (Fan)
7	91111-000	1	Bearing
8	55088-000	1	Slip Rings
NI	91136-000	2	Retainer Ring for Fan
NI	Not Illustrated		

BRUSH HOLDER ASSEMBLY

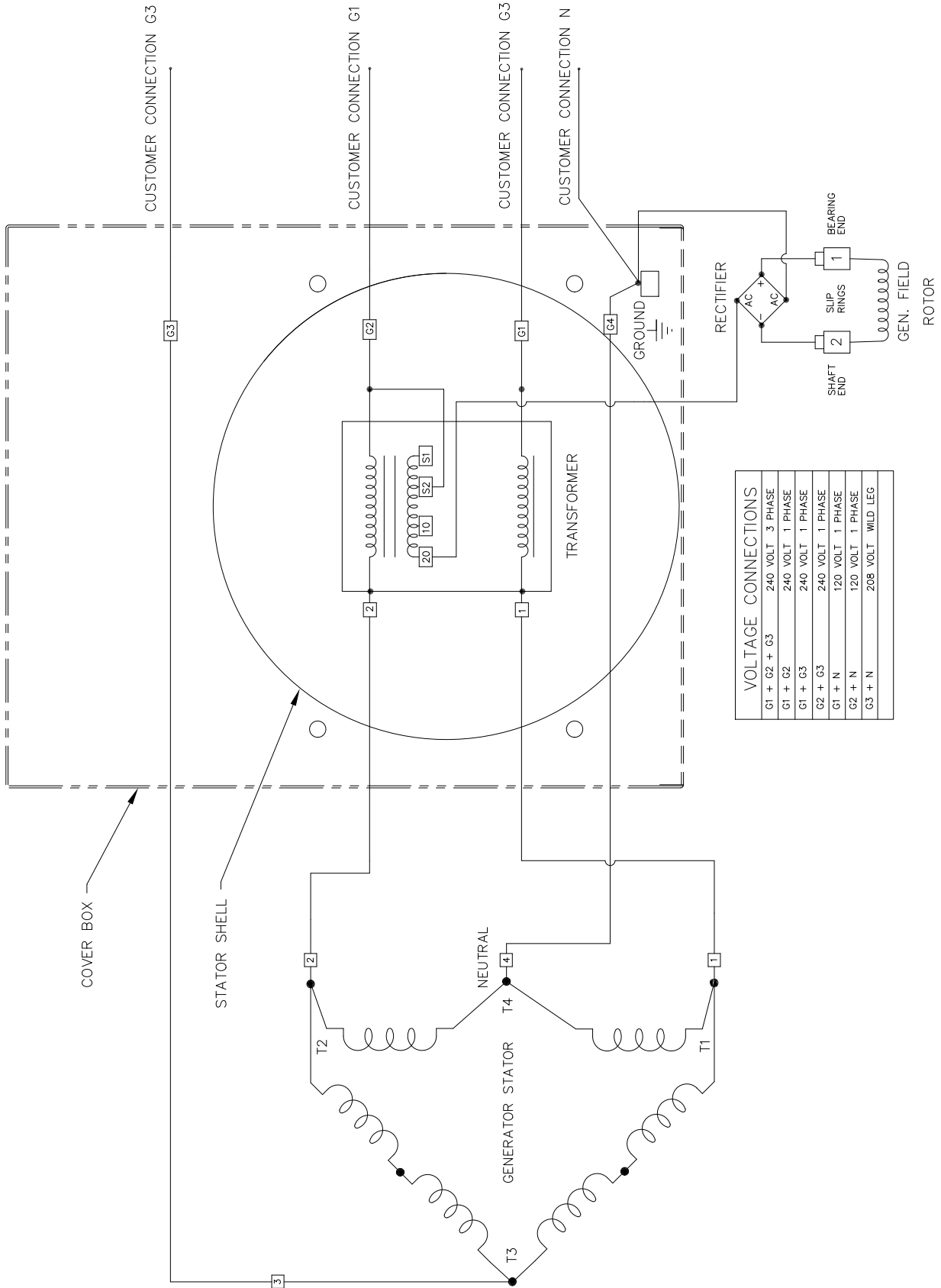


REF #	PART NUMBER	QTY	DESCRIPTION
1	91211-002	1	Ring
2	59690-000	4	Brush Holder
3	59688-000	4	Barrier Spacer
4	46024-009	2	Sleeving
5	41378-013	2	Copper Strap
6	23607-000	4	AC Brush
7	23532-000	2	Fiber Spacer
8	40746-000	8	8-32 x 5/16" Screw
9	10846-000	4	8-32 x 1 1/2" Screw
10	6376-000	4	# 8 Lock Washer
11	5113-000	4	8-32 Hex Nut
12	52125-120	2	Lead-Wire Assy. 12 Awg

TRANSFORMER CONNECTIONS

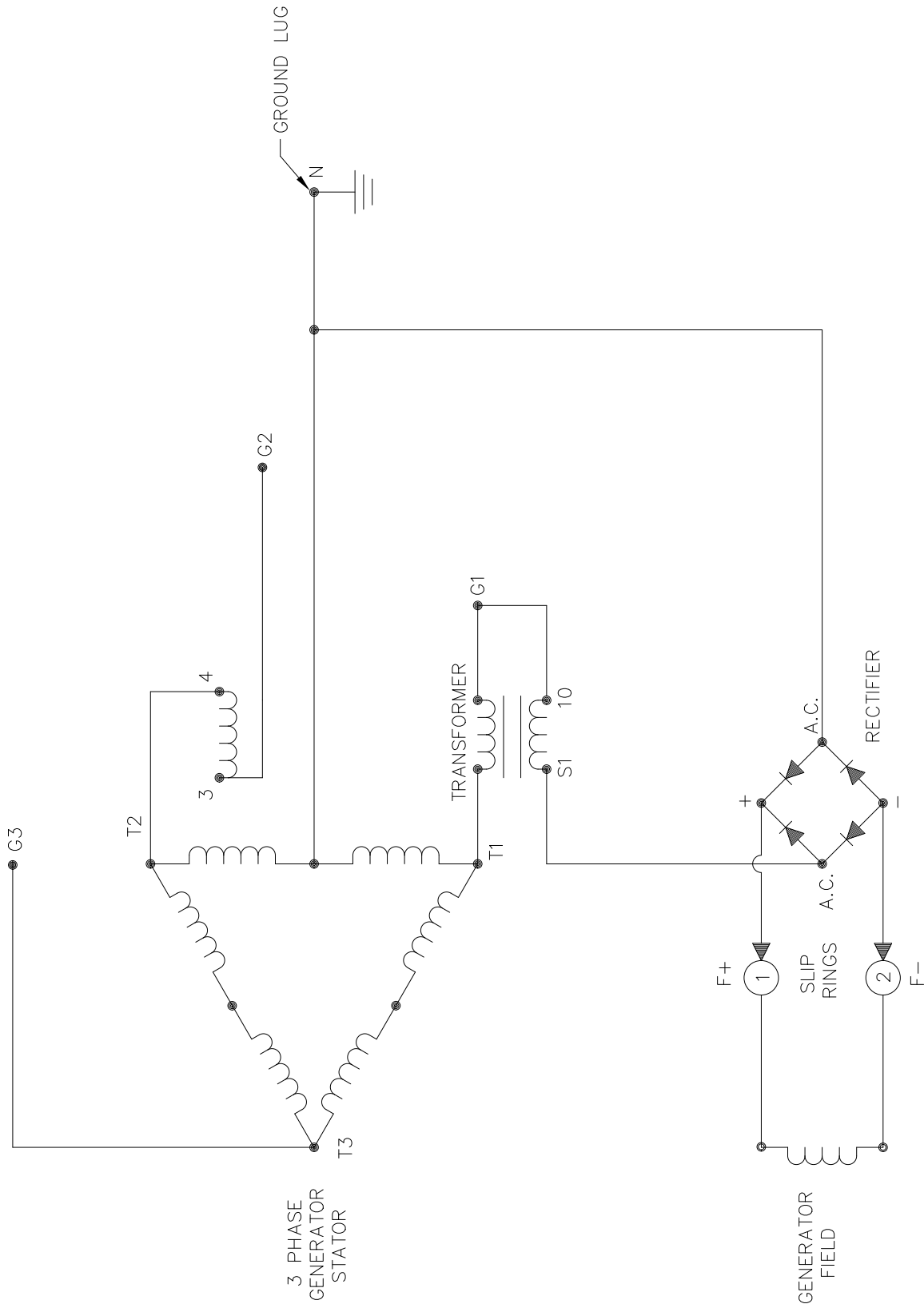


WIRING DIAGRAM



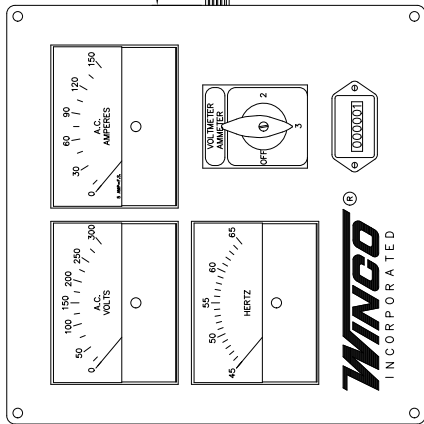
VOLTAGE CONNECTIONS		
G1 + G2 + G3	240 VOLT	3 PHASE
G1 + G2	240 VOLT	1 PHASE
G1 + G3	240 VOLT	1 PHASE
G2 + G3	240 VOLT	1 PHASE
G1 + N	120 VOLT	1 PHASE
G2 + N	120 VOLT	1 PHASE
G3 + N	208 VOLT	WILD LEG

WIRING SCHEMATIC

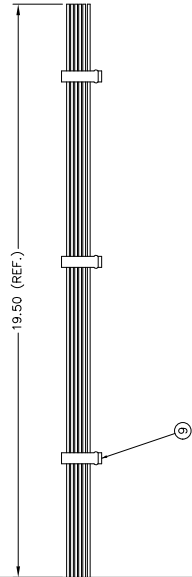
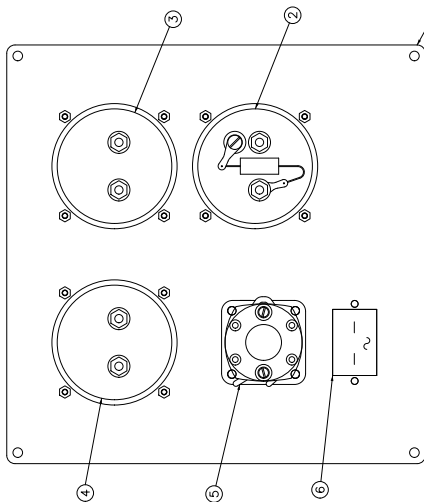


OPTIONAL CONTROL PANEL ASSEMBLY

FRONT VIEW



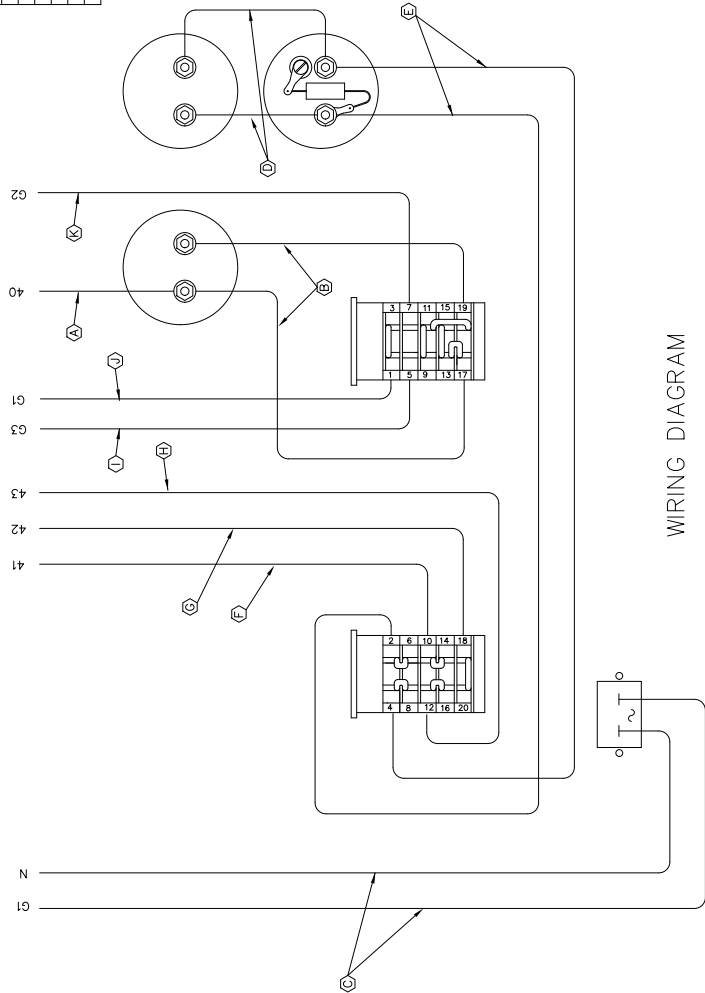
REAR VIEW



LEAD WIRE TABLE

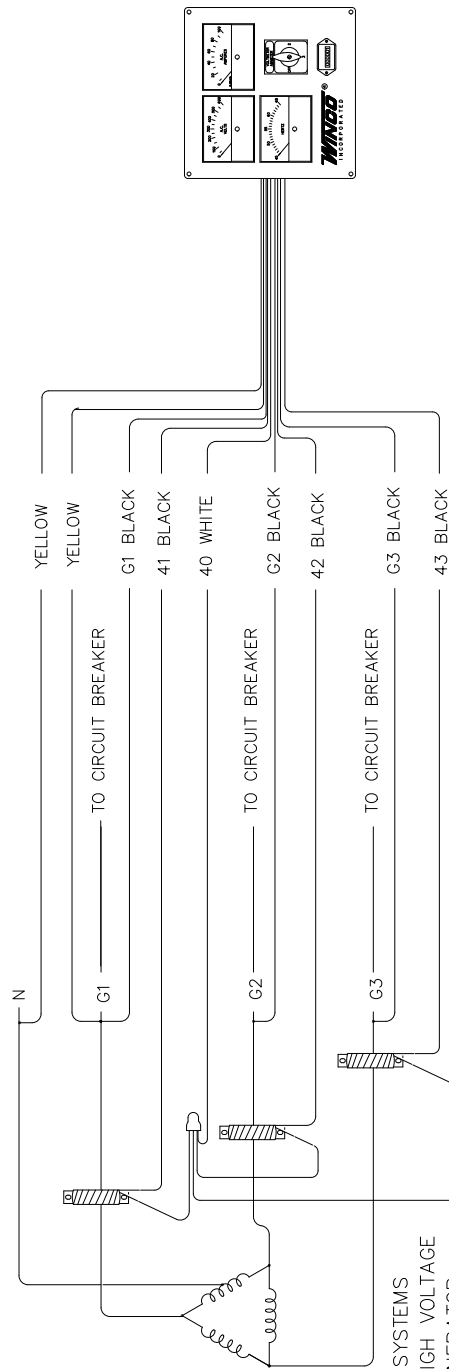
ITEM	LEAD WIRE	LEAD NO.	LENGTH	QTY.	"A" END	"B" END	REMARKS
A	A-23038-0	24.50"	1	A-81963-1	3/8"	STRIP	40
B	A-13459-0	7.00"	2	A-81963-1	3/8"	STRIP	---
C	A-22093-0	27.00"	2	A-81963-1	3/8"	STRIP	---
D	A-13459-0	3.00"	2	A-81963-1	3/8"	STRIP	---
E	A-13459-0	9.00"	2	A-81963-1	3/8"	STRIP	---
F	A-11067-0	24.00"	1	NONE	3/8"	STRIP	41
G	A-11067-0	24.00"	1	NONE	3/8"	STRIP	42
H	A-11067-0	24.00"	1	NONE	3/8"	STRIP	43
I	A-11067-0	27.00"	1	NONE	3/8"	STRIP	G3
J	A-11067-0	26.00"	1	NONE	3/8"	STRIP	G1
K	A-11067-0	27.00"	1	NONE	3/8"	STRIP	G2

15	B-99356-000	1	INSTALLATION SCHEMATIC (SEE NOTE 2.)				
14	100,047-710	1	BOX (SEE NOTE 1.)				
13	A-11067-000	1267 FT	LEADWIRE 18 GA. (BLACK)				
12	A-23038-000	26 FT	LEADWIRE 18 GA. (WHITE)				
11	A-22093-000	45 FT	LEADWIRE 18 GA. (YELLOW)				
10	A-13459-000	317 FT	LEADWIRE 18 GA. (RED)				
9	A-48975-011	13	TIE WRAP				
8	A-81963-001	10	LUG				
7	B-99358-000	1	CURRENT TRANSFORMER ASSEMBLY (SEE NOTE 1.)				
6	A-59168-001	1	ELAPSED TIME METER				
5	A-99003-000	1	VOLTMETER, AMMETER SELECTOR SWITCH				
4	A-99271-002	1	AMMETER, A.C. 0-150A SCALE				
3	A-99270-003	1	VOLTMETER, A.C. 0-300V SCALE; 0-300 MOVEMENT				
2	A-99272-002	1	FREQUENCY METER				
1	A-99352-000	1	PANEL				
ITEM	PART NO.	QUAN.	DESCRIPTION				



WIRING DIAGRAM

OPTIONAL CONTROL PANEL ASSEMBLY WIRING



120/240 VOLT
THREE PHASE

G1-N = 120 VOLT
G2-N = 120 VOLT
G1-G3 = 240 VOLT

WARNING:

WHEN INSTALLING THREE PHASE 240 VOLT SYSTEMS
BE SURE YOU KNOW WHICH LEAD IS THE HIGH VOLTAGE
LEG (208 VOLT LINE TO NEUTRAL). THE GENERATOR
NORMALLY CARRIES THE HIGH VOLTAGE ON THE G3 LEAD.