

WINCO[®] INC

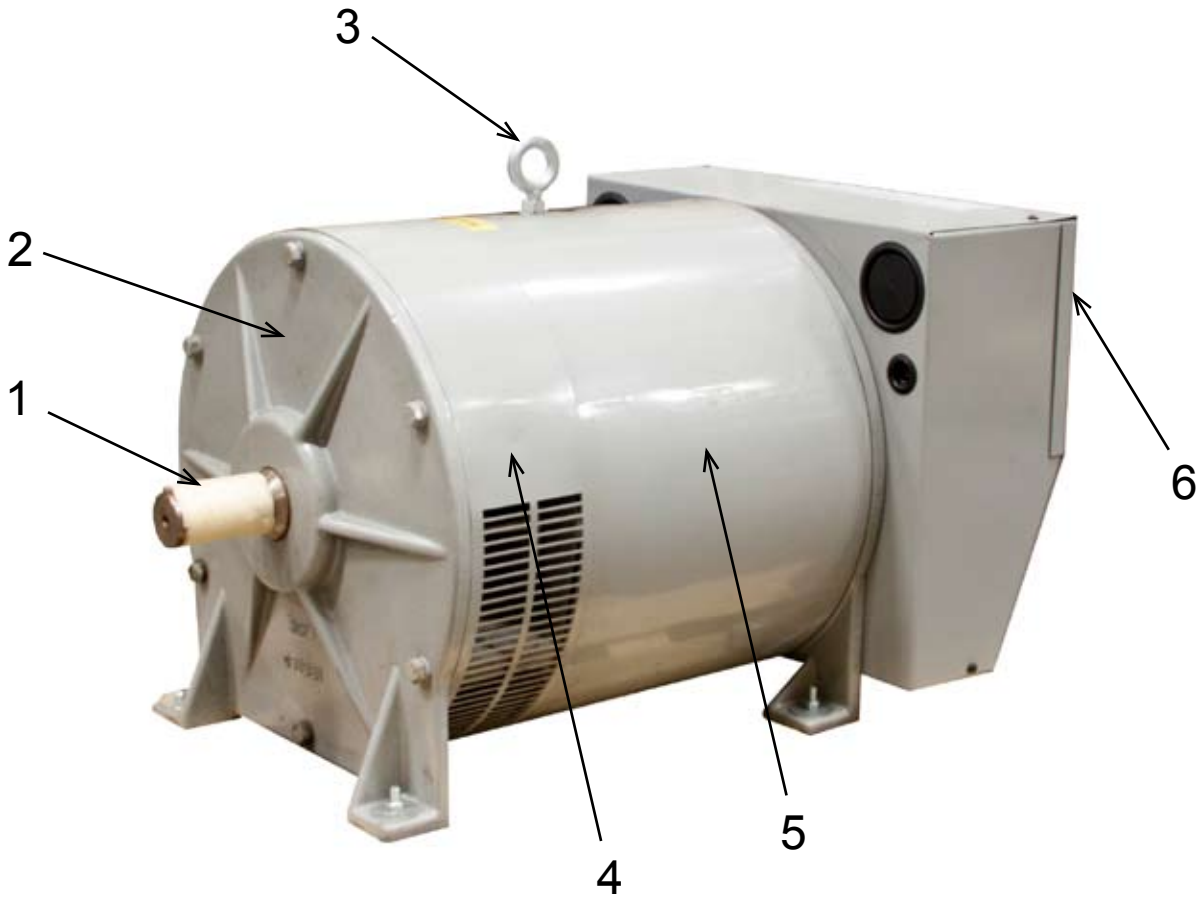
ILLUSTRATED PARTS LIST

EC35PSB4G-3/A



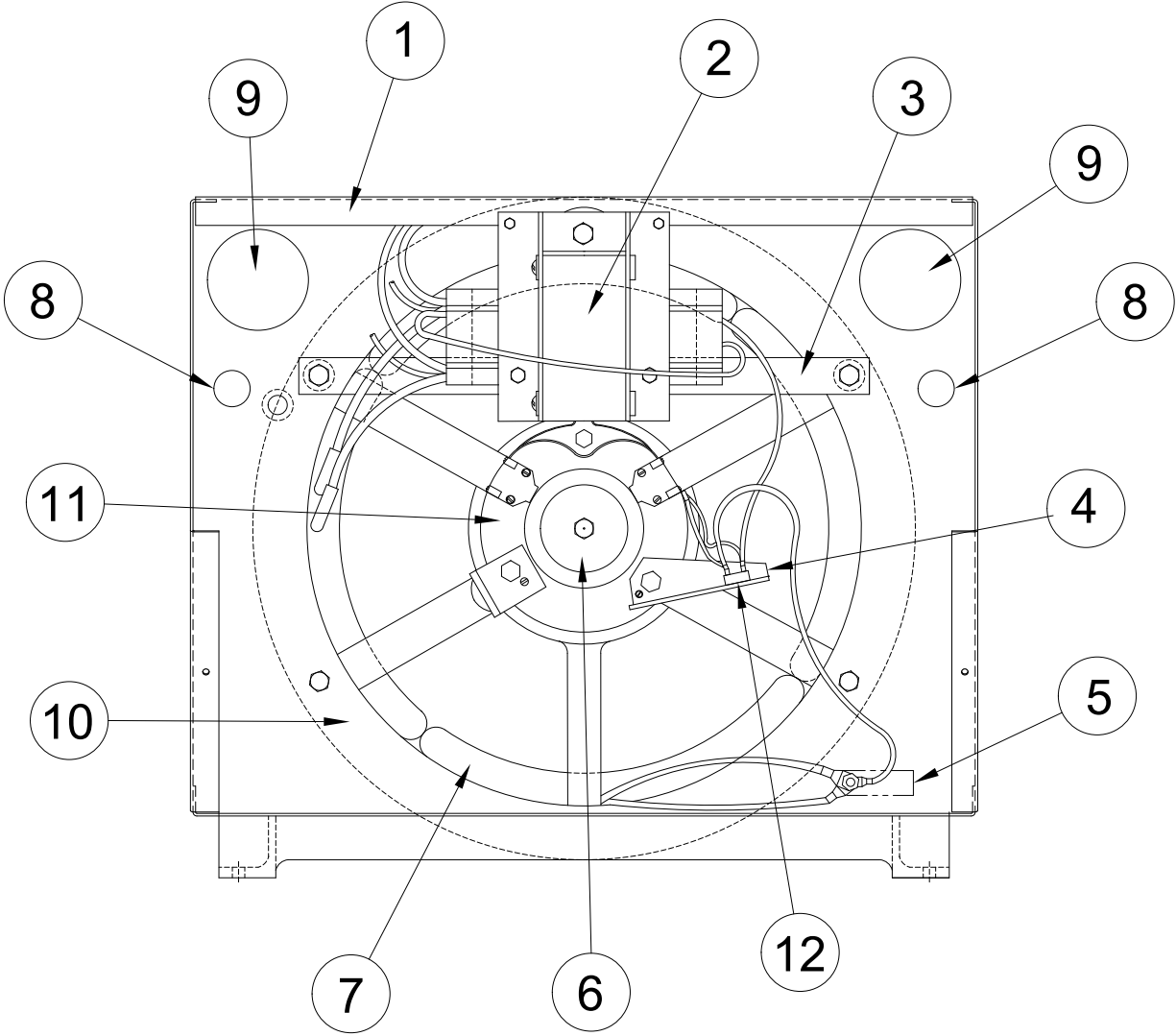
**WINCO INC.
225 S. CORDOVA AVE.
LECENTER, MN 56057
507-357-6821
SERVICE DEPT.
507-357-6831
www.wincogen.com**

COMPLETE ASSEMBLY

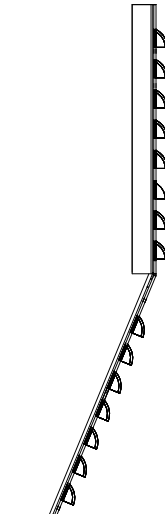
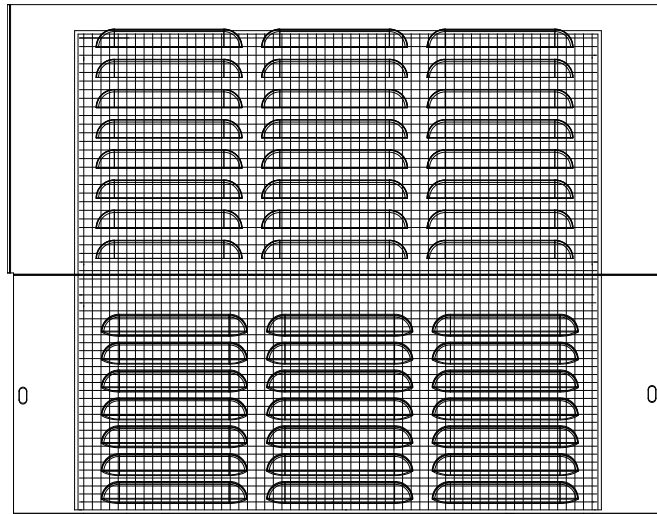


REF #	PART NUMBER	QTY	DESCRIPTION
1	64582-000	1	3/8" x 3/8" x 3" Key
2	91381-001	1	Machined End Bracket
3	91137-700	1	Eye Bolt
4	91337-000	1	Cooling Air Screen
5	91148-000	1	Stator Bar & Ring Assembly
6	98969-000	1	Louvered Cover

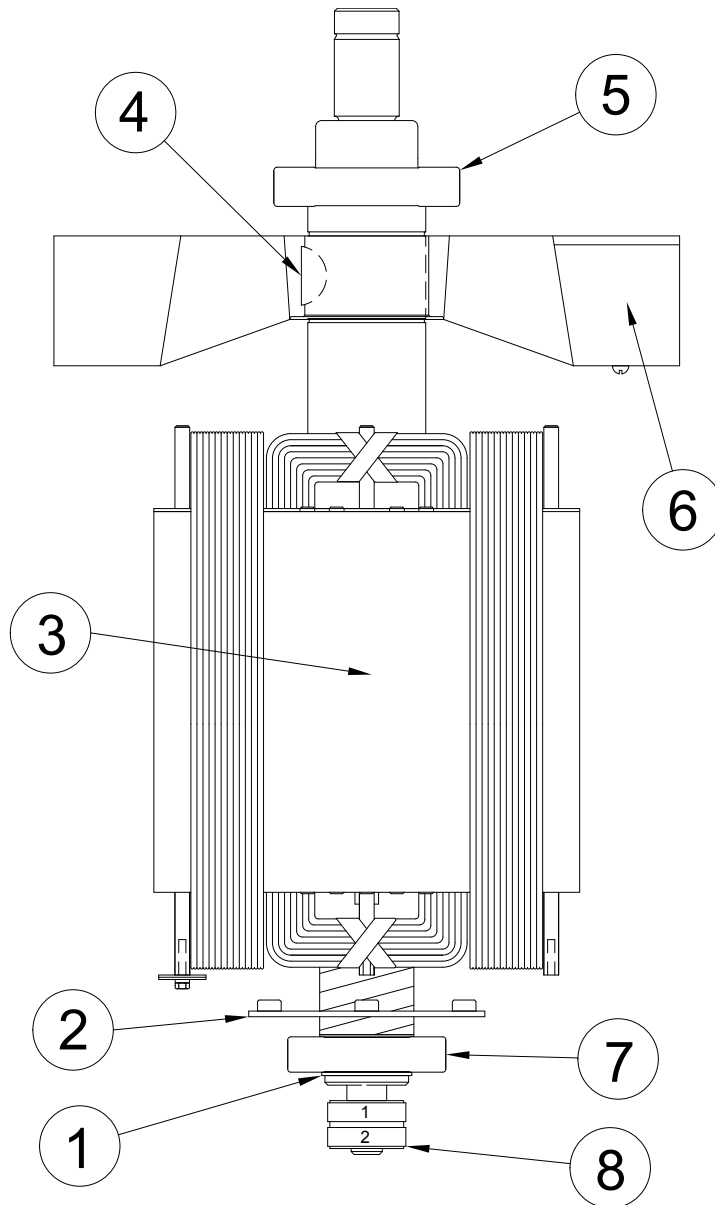
END COVER ASSEMBLY



REF #	PART NUMBER	QTY	DESCRIPTION
1	98832-000	1	Control Box
2	99774-000	1	Transformer
3	91242-000	1	Strap
4	91178-000	1	Bracket Assembly
5	15750-001	1	Ground Decal
6	91237-001	1	Rotor Assembly
7	91148-000	1	Stator Assembly
8	15102-001	2	7/8" Hole Plug
9	15102-002	2	2 1/2" Hole Plug
10	91212-000	1	End Bracket
11	91251-000	1	Brush Holder Assembly
12	91452-000	1	Bridge Rectifier
see below	98969-000	1	Louvered Cover

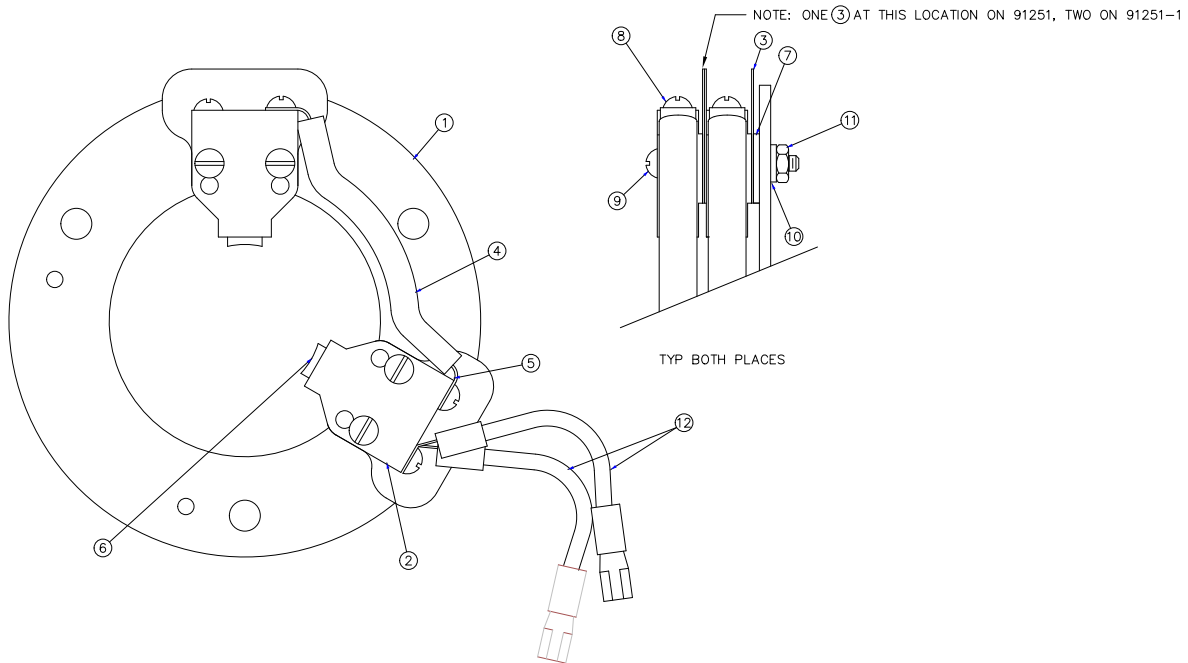


COMPLETE ROTOR ASSEMBLY



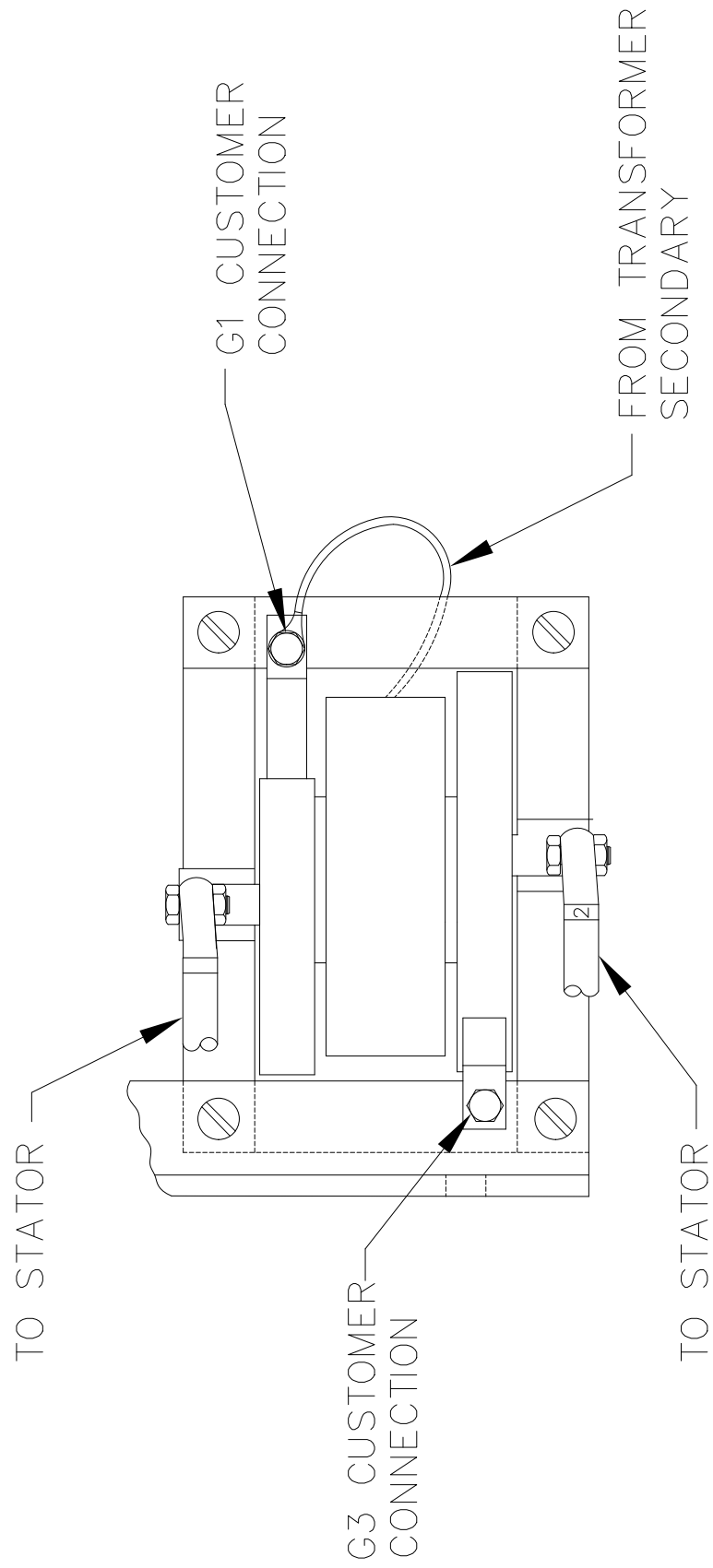
REF #	PART NUMBER	QTY	DESCRIPTION
1	91238-000	1	Retaining Ring
2	91196-000	1	Retainer Ring Assembly
3	91237-001	1	Complete Rotor Assy. Includes Bearings & Fan
4	91158-000	1	Woodruff Key
5	93174-000	1	Bearing
6	91101-000	1	Impellor (Fan)
7	91111-000	1	Bearing
8	55088-000	1	Slip Rings
NI	91136-000	2	Retainer Ring for Fan
NI	Not Illustrated		

BRUSH HOLDER ASSEMBLY

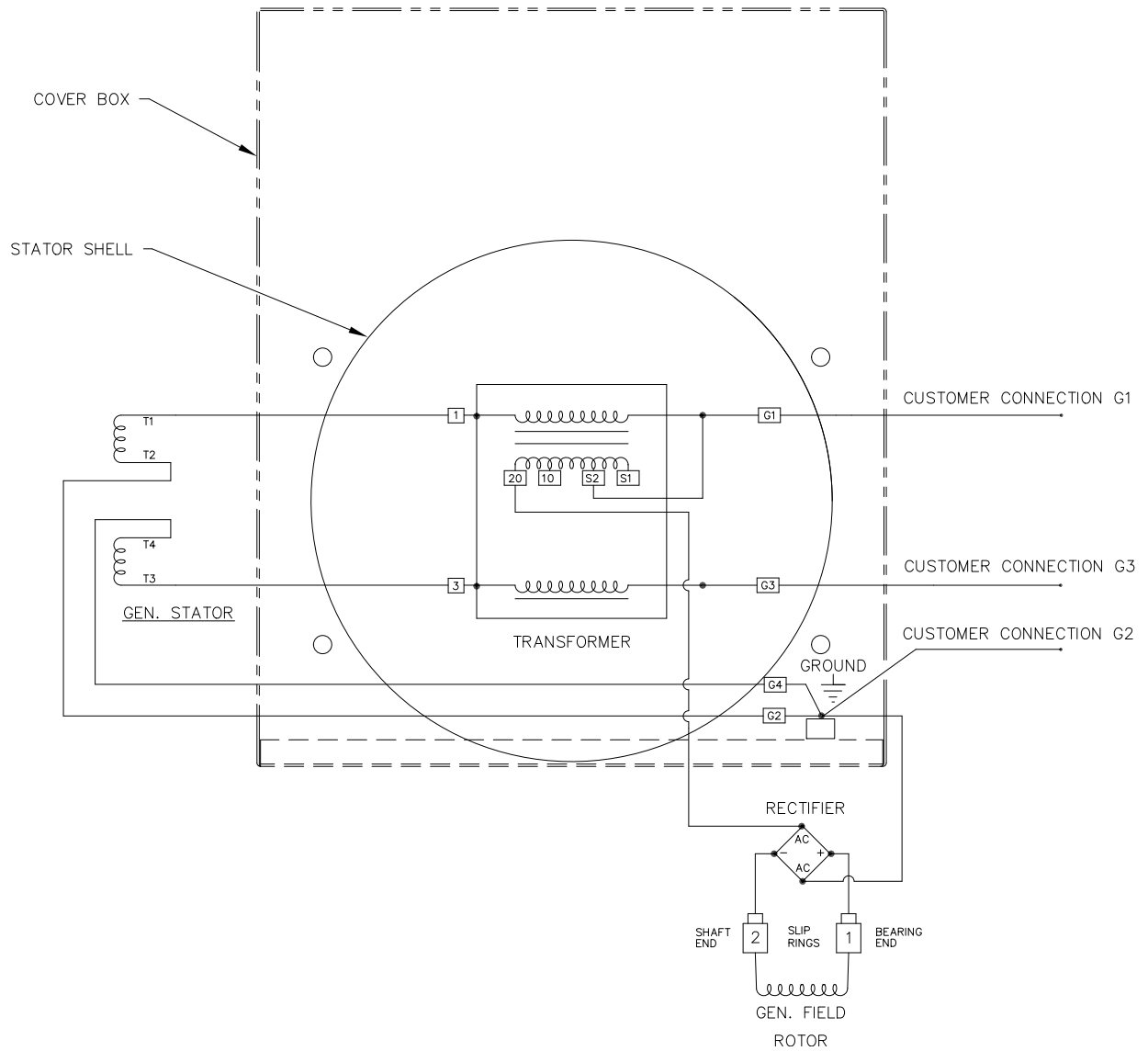


REF #	PART NUMBER	QTY	DESCRIPTION
1	91211-002	1	Ring
2	59690-000	4	Brush Holder
3	59688-000	4	Barrier Spacer
4	46024-009	2	Sleeving
5	41378-013	2	Copper Strap
6	23607-000	4	AC Brush
7	23532-000	2	Fiber Spacer
8	40746-000	8	8-32 x 5/16" Screw
9	10846-000	4	8-32 x 1 1/2" Screw
10	6376-000	4	# 8 Lock Washer
11	5113-000	4	8-32 Hex Nut
12	52125-120	2	Lead-Wire Assy. 12 Awg

TRANSFORMER CONNECTIONS

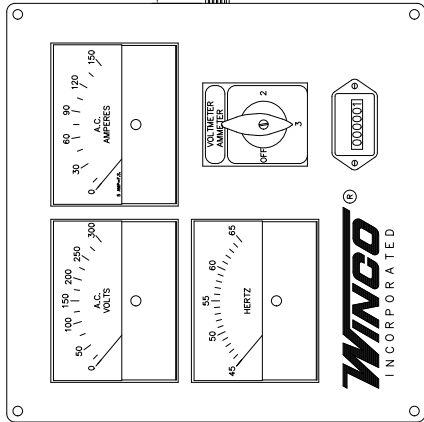


WIRING DIAGRAM

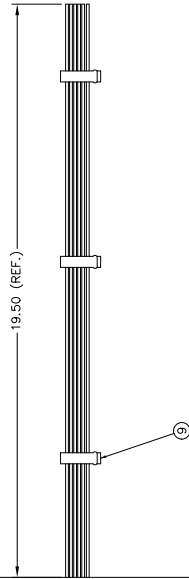
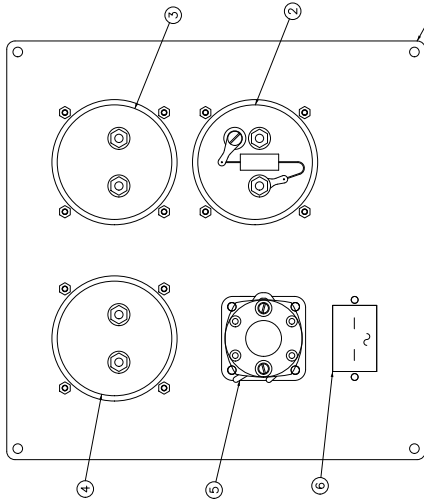


OPTIONAL CONTROL PANEL ASSEMBLY

FRONT VIEW



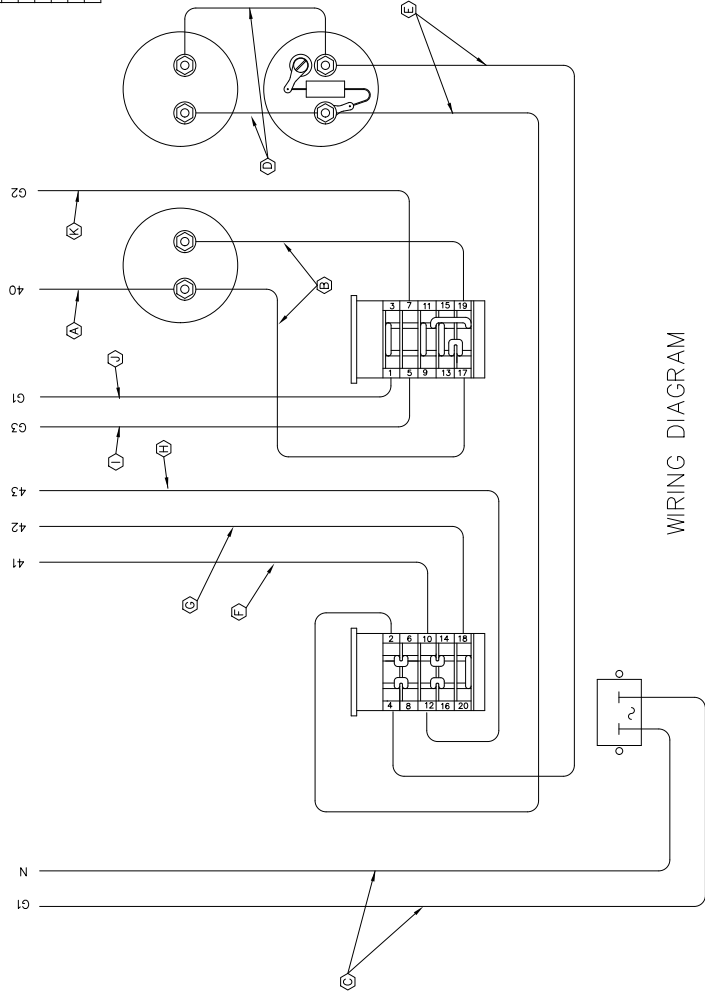
REAR VIEW



ITEM	LEAD WIRE	LEAD NO.	LENGTH	QTY.	"A" END			"B" END			REMARKS
					TERM.	LUG	STRIP	TERM.	LUG	STRIP	
A	A-23038-0	24.50"	1	A-81963-1	3/8"	NONE	3/8"	NONE	3/8"	40	
B	A-13459-0	7.00"	2	A-81963-1	3/8"	NONE	3/8"	NONE	3/8"	---	
C	A-22093-0	27.00"	2	A-81963-1	3/8"	NONE	3/8"	NONE	3/8"	---	
D	A-13459-0	3.00"	2	A-81963-1	3/8"	NONE	3/8"	A-81963-1	3/8"	---	
E	A-13459-0	9.00"	2	A-81963-1	3/8"	NONE	3/8"	NONE	3/8"	---	
F	A-11067-0	24.00"	1	NONE	3/8"	NONE	3/8"	NONE	3/8"	41	
G	A-11067-0	24.00"	1	NONE	3/8"	NONE	3/8"	NONE	3/8"	42	
H	A-11067-0	24.00"	1	NONE	3/8"	NONE	3/8"	NONE	3/8"	43	
I	A-11067-0	27.00"	1	NONE	3/8"	NONE	3/8"	NONE	3/8"	G3	
J	A-11067-0	26.00"	1	NONE	3/8"	NONE	3/8"	NONE	3/8"	G1	
K	A-11067-0	27.00"	1	NONE	3/8"	NONE	3/8"	NONE	3/8"	G2	

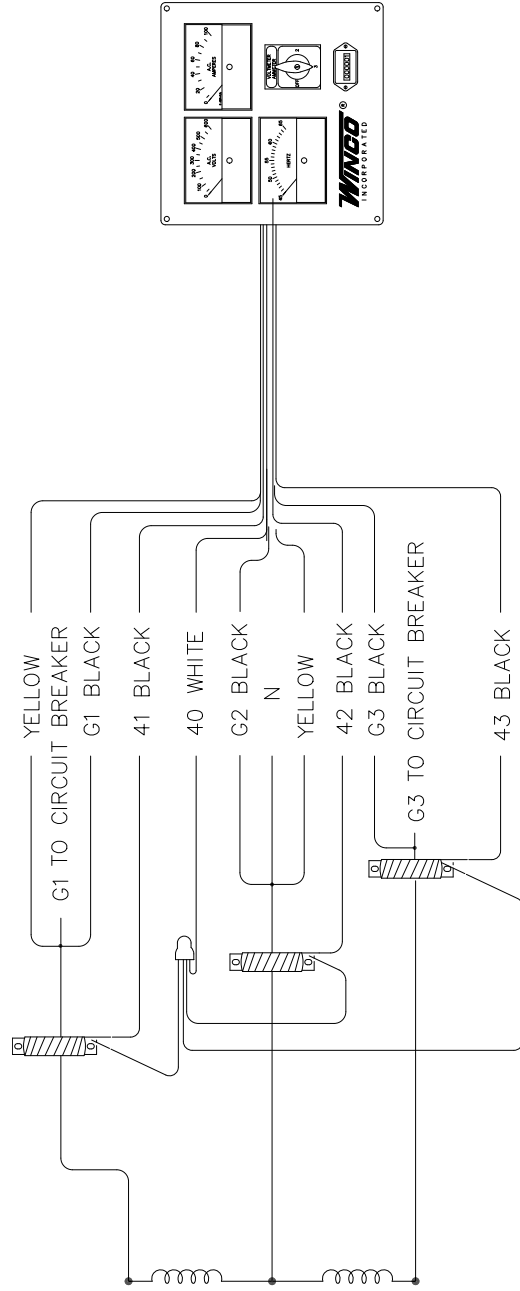
LEAD WIRE TABLE

15	B-99356-000	1	INSTALLATION SCHEMATIC (SEE NOTE 2.)								
14	100,047-710	1	BOX (SEE NOTE 1.)								
13	A-11067-000	1267 FT	LEADWIRE 18 GA. (BLACK)								
12	A-23038-000	26 FT	LEADWIRE 18 GA. (WHITE)								
11	A-22093-000	45 FT	LEADWIRE 18 GA. (YELLOW)								
10	A-13459-000	317 FT	LEADWIRE 18 GA. (RED)								
9	A-48975-011	13	TIE WRAP								
8	A-81963-001	10	LUG								
7	B-99358-000	1	CURRENT TRANSFORMER ASSEMBLY (SEE NOTE 1.)								
6	A-59168-001	1	ELAPSED TIME METER								
5	A-99003-000	1	VOLTMETER, AMMETER SELECTOR SWITCH								
4	A-99271-002	1	AMMETER, A.C. 0-150A SCALE								
3	A-99270-003	1	VOLTMETER, A.C. 0-300V SCALE; 0-300 MOVEMENT								
2	A-99272-002	1	FREQUENCY METER								
1	A-99352-000	1	PANEL								
ITEM	PART NO.	QTY.	DESCRIPTION								



WIRING DIAGRAM

OPTIONAL CONTROL PANEL ASSEMBLY WIRING



120/240 VOLT
SINGLE PHASE

G1-N = 120 VOLT
G3-N = 120 VOLT
G1-G3 = 240 VOLT