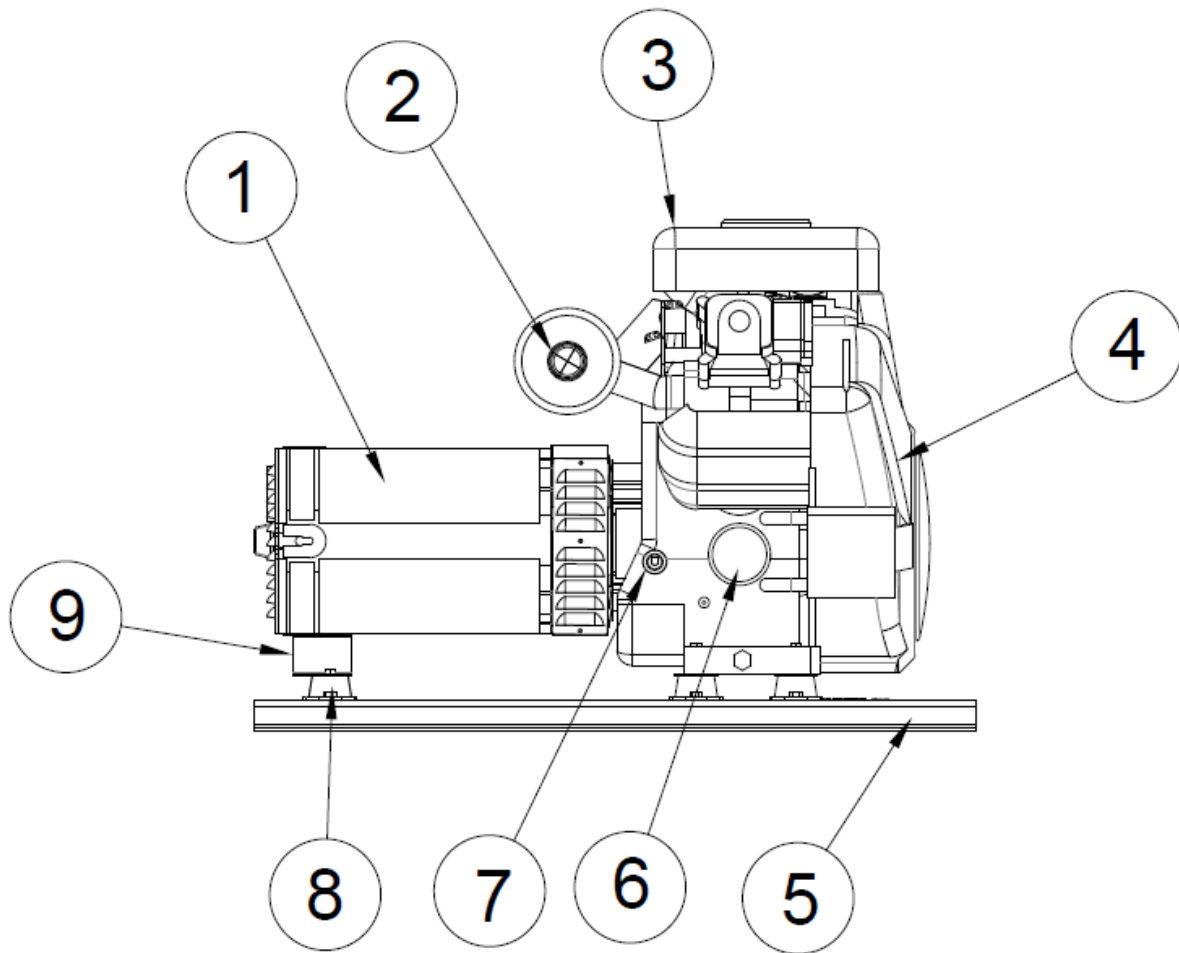


Generator Specifications:

|           |            |
|-----------|------------|
| Stator    | 0.056 OHMS |
| Rotor     | 8.04 OHMS  |
| Cap Leads | 0.41 OHMS  |

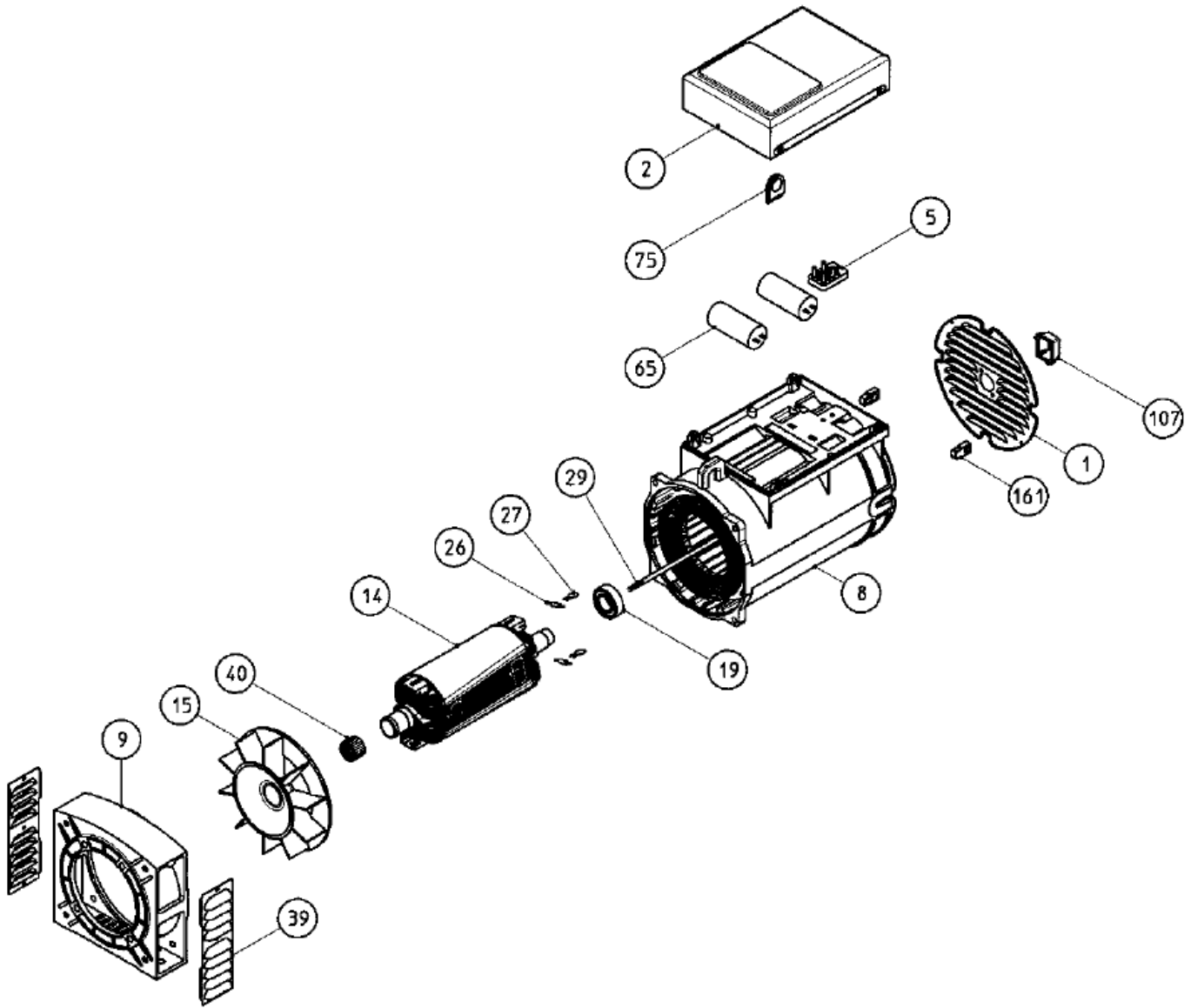
# ENGINE / GENERATOR ASSEMBLY



| REF # | PART NUMBER | QTY  | DESCRIPTION                                       |
|-------|-------------|------|---|
| 1     | 16428-002   | 1    | Generator MeccAlte<br>Model: S20F-230/A           |
| 2     | 16237-002   | 1    | Spark Arrestor                                    |
| 3     | 692519      | 1*   | Air Filter  |
| 4     | 16427-006   | 1    | Engine Briggs & Stratton<br>Model: 543477-0002-J1 |
| 5     | 19018-100   | 1    | Base  |
| 6     | 842921      | 1*   | Oil Filter  |
| 7     | 841281      | 1*   | Oil Pressure Switch                               |
| 8     | 98807-000   | 6    | Shock Mount                                       |
| 9     | 16335-006   | 1    | Generator Support                                 |
| NI    | 300349      | 1    | Oli Drain Valve                                   |
| NI    | 300349-1    | 1    | Oil Drain Valve Adapter                           |
| NI    | 62286-000   | 1 FT | 1/2" Hose   |
| NI    | 15144-014   | 1    | Engine Baffle                                     |

Notes: NI - Not Illustrated; \* Briggs & Stratton Part

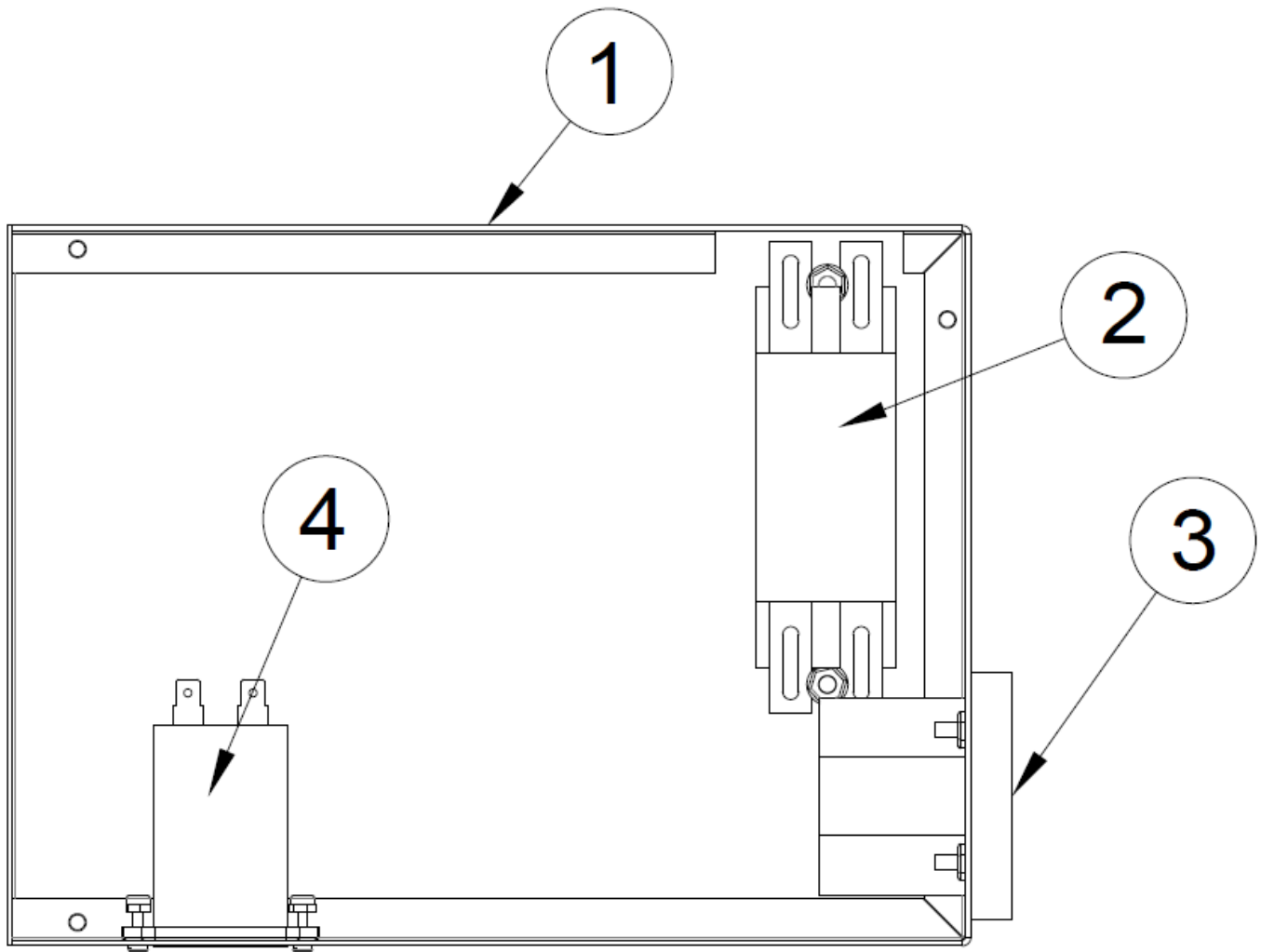
# GENERATOR ASSEMBLY



| REF # | PART NUMBER | QTY | DESCRIPTION                 |
|-------|-------------|-----|-----------------------------|
|       | 16428-002   | 1   | Complete Generator Assembly |
| 19    | 54665-000   | 1   | Bearing                     |
| 26    | 300323-207  | 2   | Diode                       |
| 27    | 300323-208  | 2   | Varistor                    |
| 65    | 300323-112  | 1   | 31.5 $\mu$ 425VAC Capacitor |
| 65    | 300323-212  | 2   | 35 $\mu$ 425VAC Capacitor   |

Individual parts not listed here may be obtained from [www.meccalte.com](http://www.meccalte.com). WINCO Inc sells the complete generator end or the individual parts listed above.

# RECEPTACLE PANEL ASSEMBLY

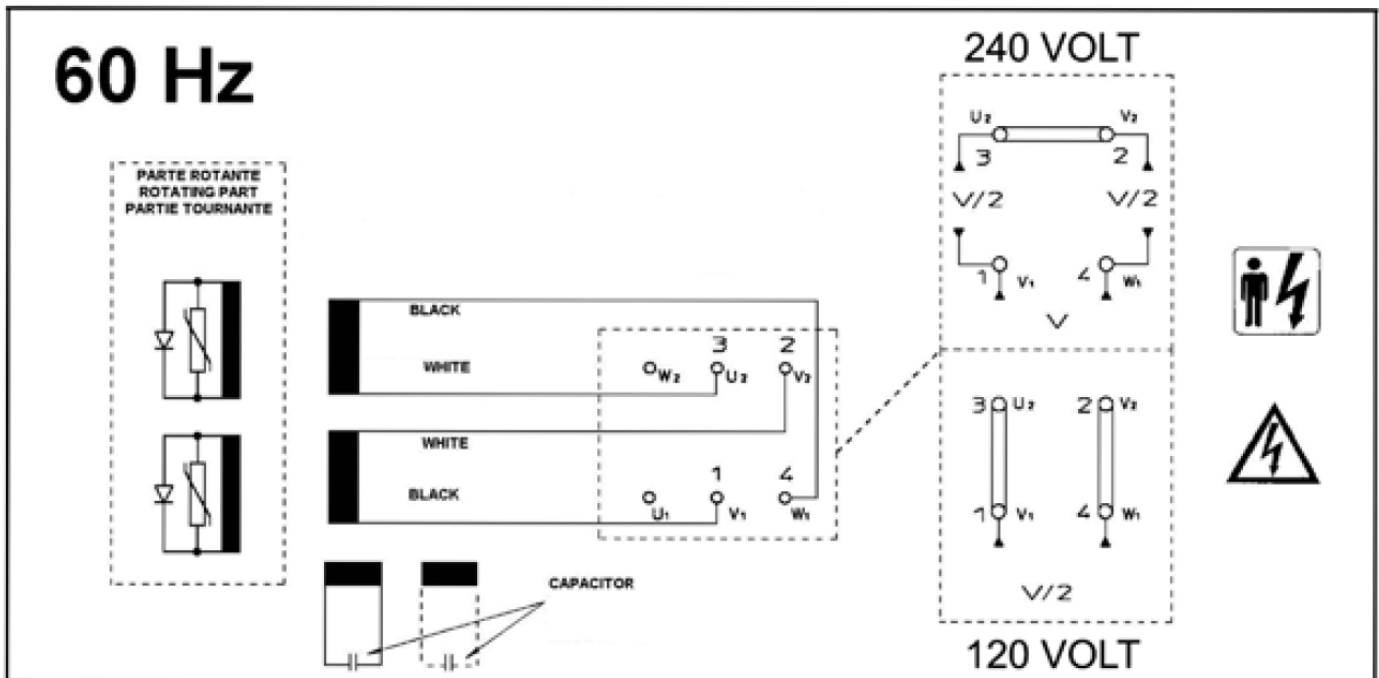


| REF #                       | PART NUMBER | QTY | DESCRIPTION                   |
|-----------------------------|-------------|-----|-------------------------------|
| 1                           | 19018-204   | 1   | Receptacle Box                |
| 2                           | 57030-005   | 1   | 60 Amp 2-Pole Circuit Breaker |
| 3                           | 300136      | 1   | 60 Amp Receptacle             |
| 4                           | 58166-001   | 1   | Running Time Meter            |
| NI                          | 19018-205   | 1   | Receptacle Box Cover          |
| Notes: NI - Not Illustrated |             |     |                               |

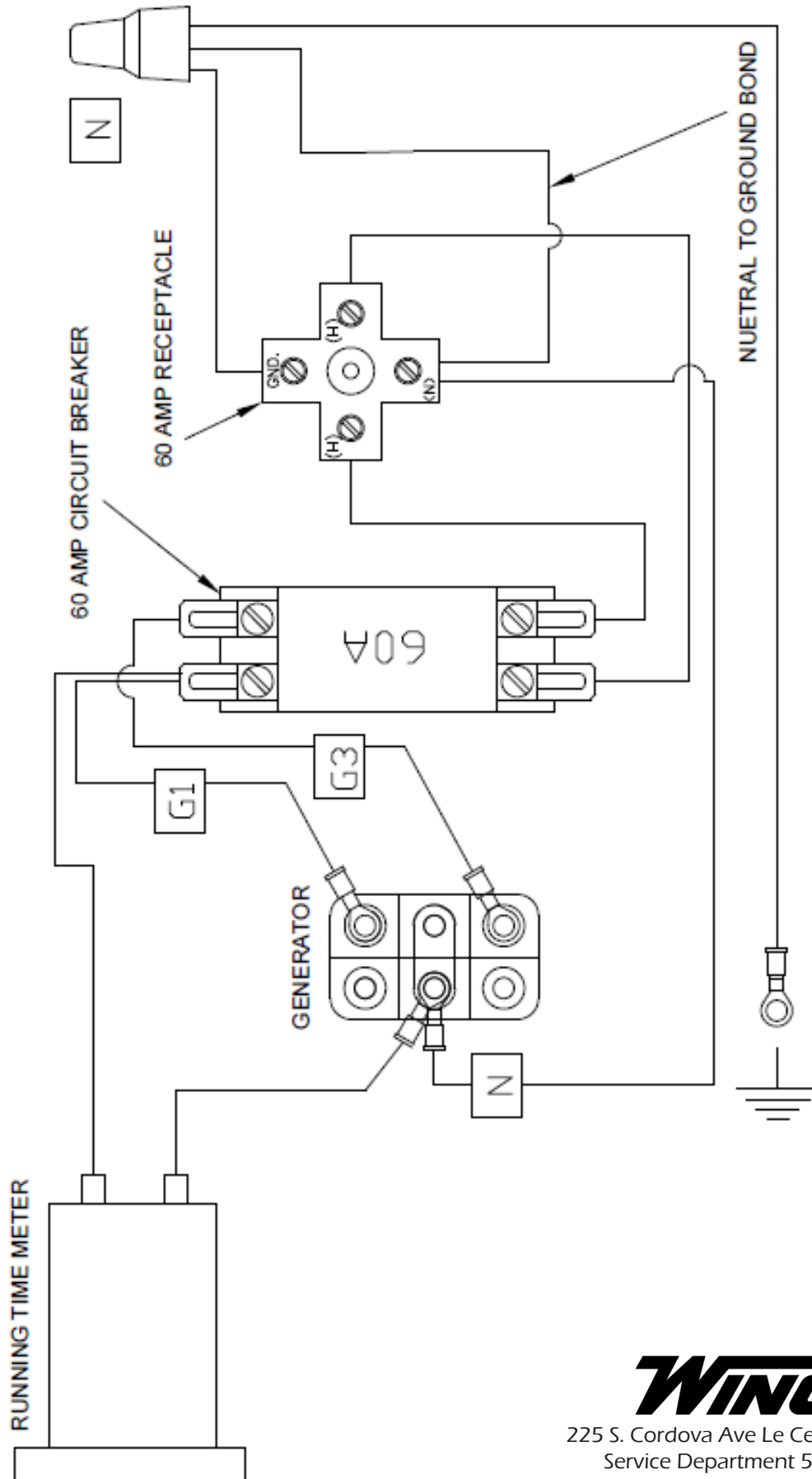
# DECALS

| REF # | PART NUMBER | QTY | DESCRIPTION              |
|-------|-------------|-----|--------------------------|
| 1     | 15209-013   | 1   | Fuel Type Gasoline Decal |
| 2     | 63941-001   | 2   | Hot Surfaces Decal       |
| 3     | 64918-000   | 2   | CO Danger Decal          |
| 4     | 15209-000   | 1   | Decal Set                |

## AC SCHEMATIC



# WIRING DIAGRAM



**WINCO**<sup>®</sup>

225 S. Cordova Ave Le Center, MN 56057  
 Service Department 507-357-6831  
 wincogen.com