

WINPOWER[®]

Powr-Pak[®]

ILLUSTRATED PARTS LIST

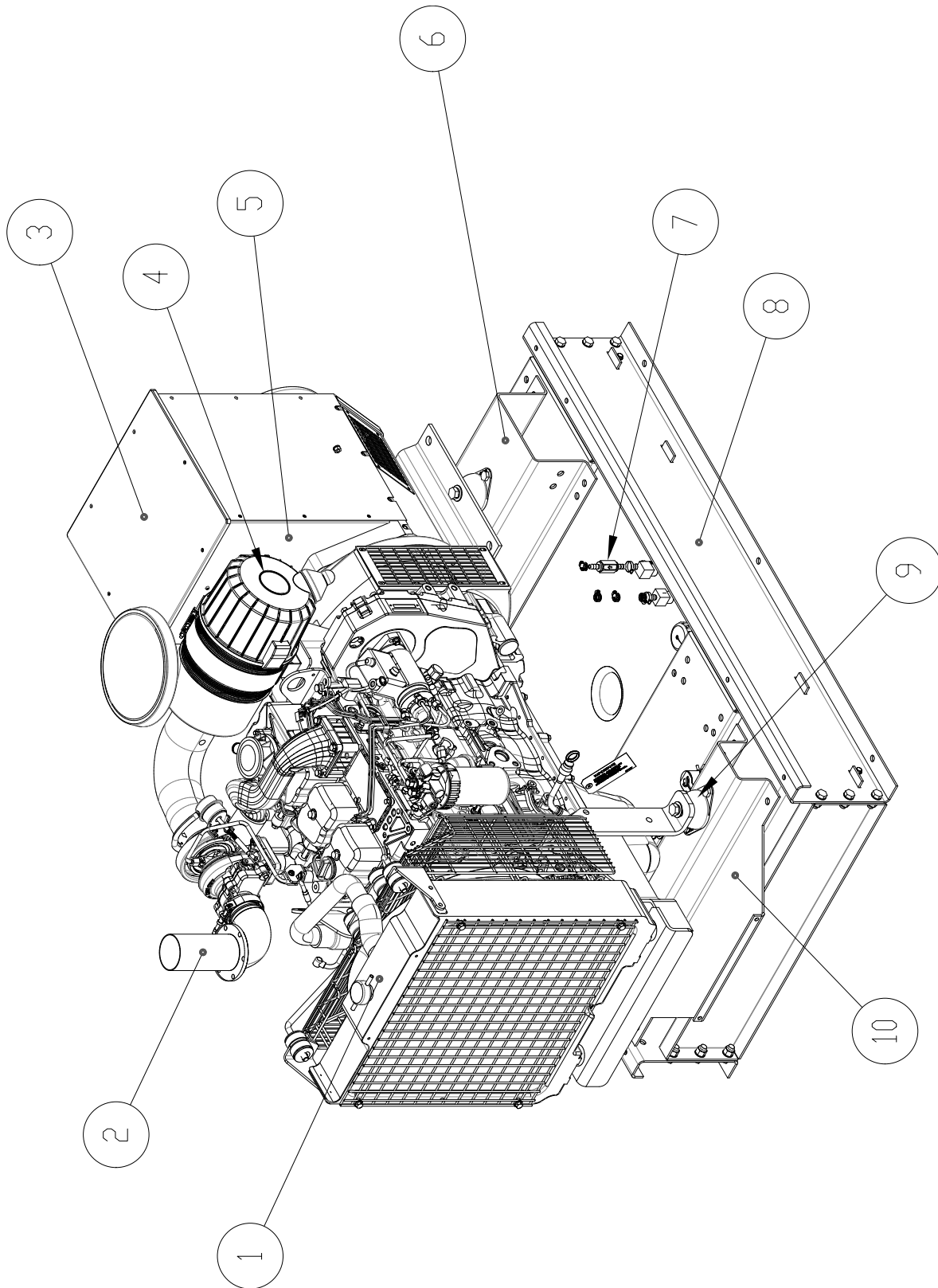
DE45F4

WITH KEY-START CONTROL

**Part numbers 8451101-031, 8451101-041,
8451101-171**

**WINCO INC.
225 S. CORDOVA AVE.
LE CENTER, MN 56057
(507) 357-6821
SERVICE DEPT.
(507) 357-6831
wincogen.com**

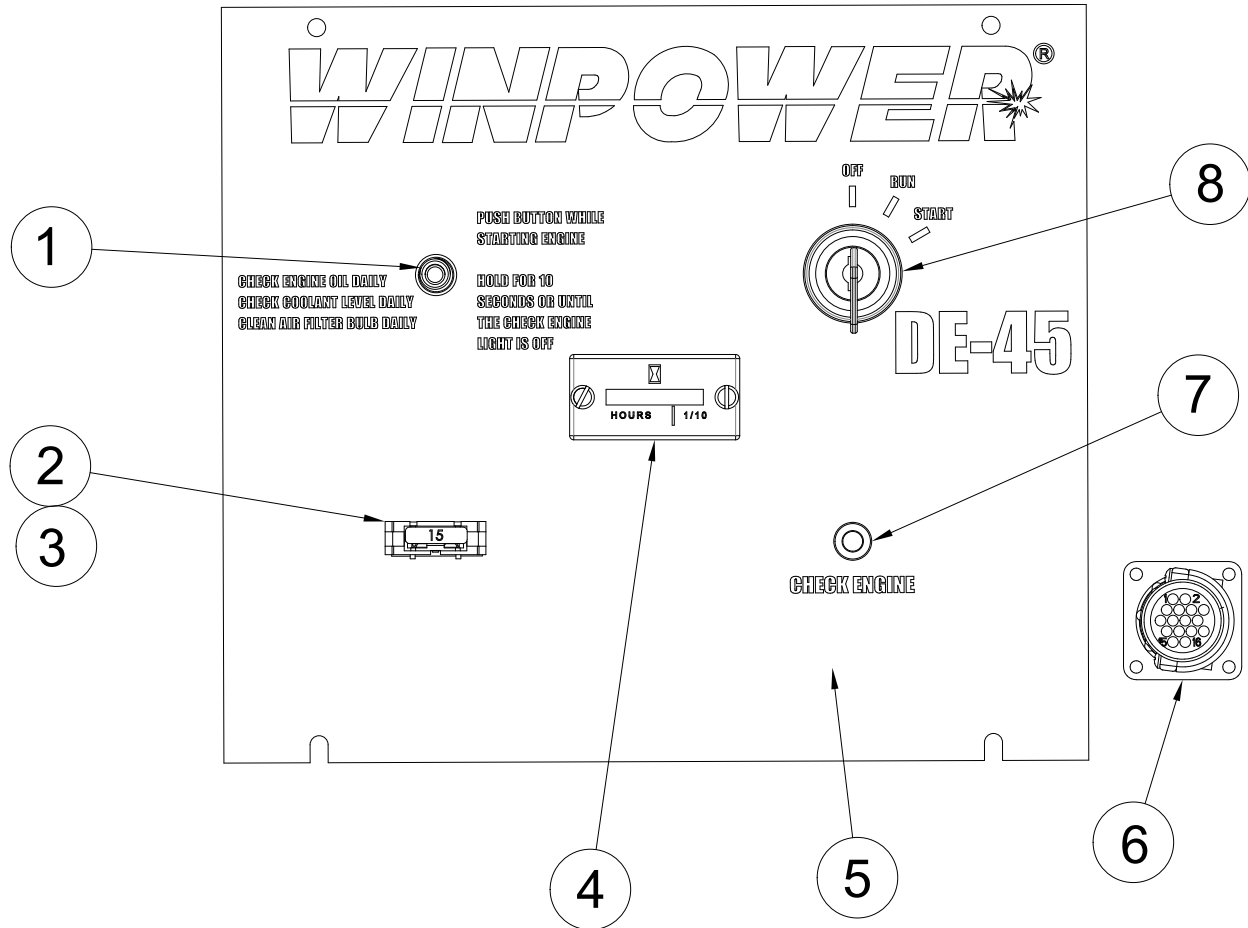
ENGINE / GENERATOR ASSEMBLY



REF #	PART NUMBER	QTY	DESCRIPTION
1	350001-74	1	Engine, Iveco NEF45SM1X
2	807045-000	1	Exhaust Pipe with Flange
3	350003-702	1	Stamford Newage Generator Model: UCI224D1L
4	8031211	1	Primary Air Filter
4A	8031565	1	Secondary Air Filter Element
5	SEE TABLE	1	Front Gen Panel Assembly
6	802051-030	1	Back Cross Member
7	95895-001	1	Check Valve
8	8150000-000	1	Fuel Tank Base
9	15424-000	4	Shock Mount
10	802050-030	1	Front Cross Member
NI	2992242	1*	Oil Filter
NI	350484-6	1	Battery Hold Down Kit
NI	22097-009	1	Battery Positive (+) Cable
NI	22097-014	1	Battery Negative (-) Cable
NI	350818	1	SX460 Voltage Regulator
NI	504107584	1*	Fuel Filter
*	Iveco Part #		
NI	Not Illustrated		

WINPOWER MODEL #	WINPOWER PART #	DESCRIPTION
DE45F4-03/1	802045-200	Front Gen Panel Assembly
DE45F4-04/1	802056-020	Front Gen Panel Assembly
DE45F4-017/1	802056-020	Front Gen Panel Assembly

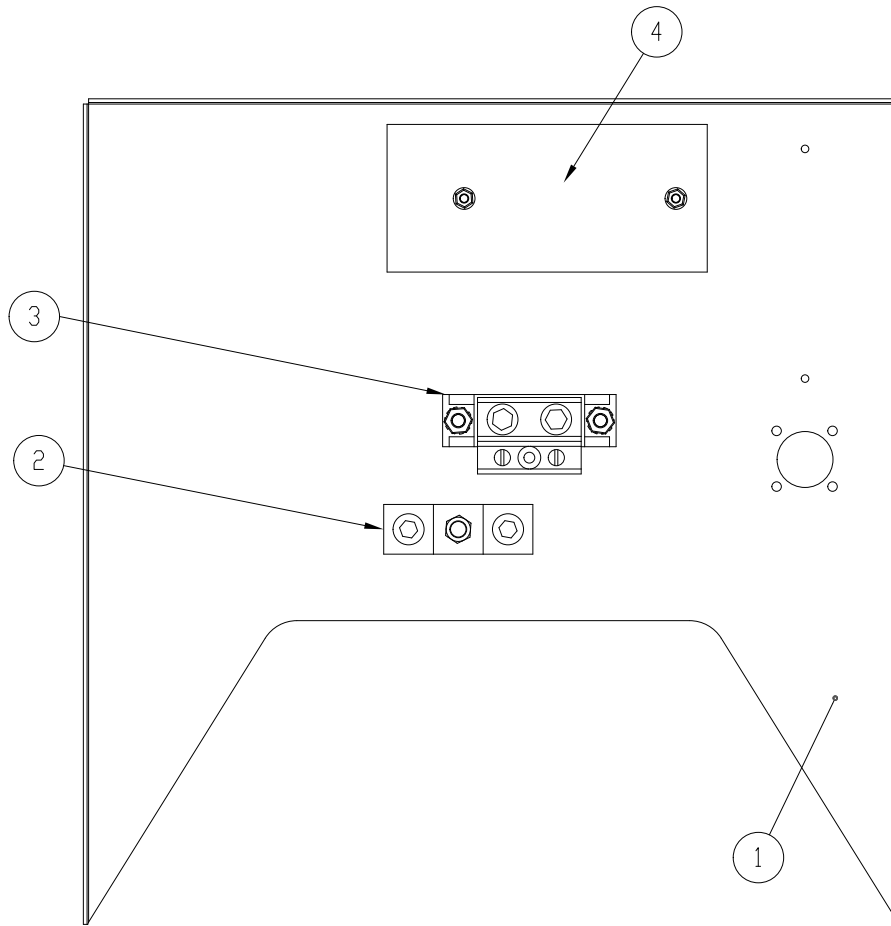
KEY-START CONTROL PANEL ASSEMBLY



REF #	PART NUMBER	QTY	DESCRIPTION
1	91688-001	1	Safety Latching Relay
2	2489-002	1	Panel Mount Fuse Holder
3	95064-115	1	15 Amp Fuse
4	58166-006	1	4-40 VDC Running Time Meter
5	802061-020	1	Key-Start Control Panel
6	96925-006	1	16 Pin Connector
7	57991-007	1	Red Indicator Light
8	72252-001	1	Start Switch (on)-off-on-(on)

Note: Complete Panel Assembly sold as part # 802057-020

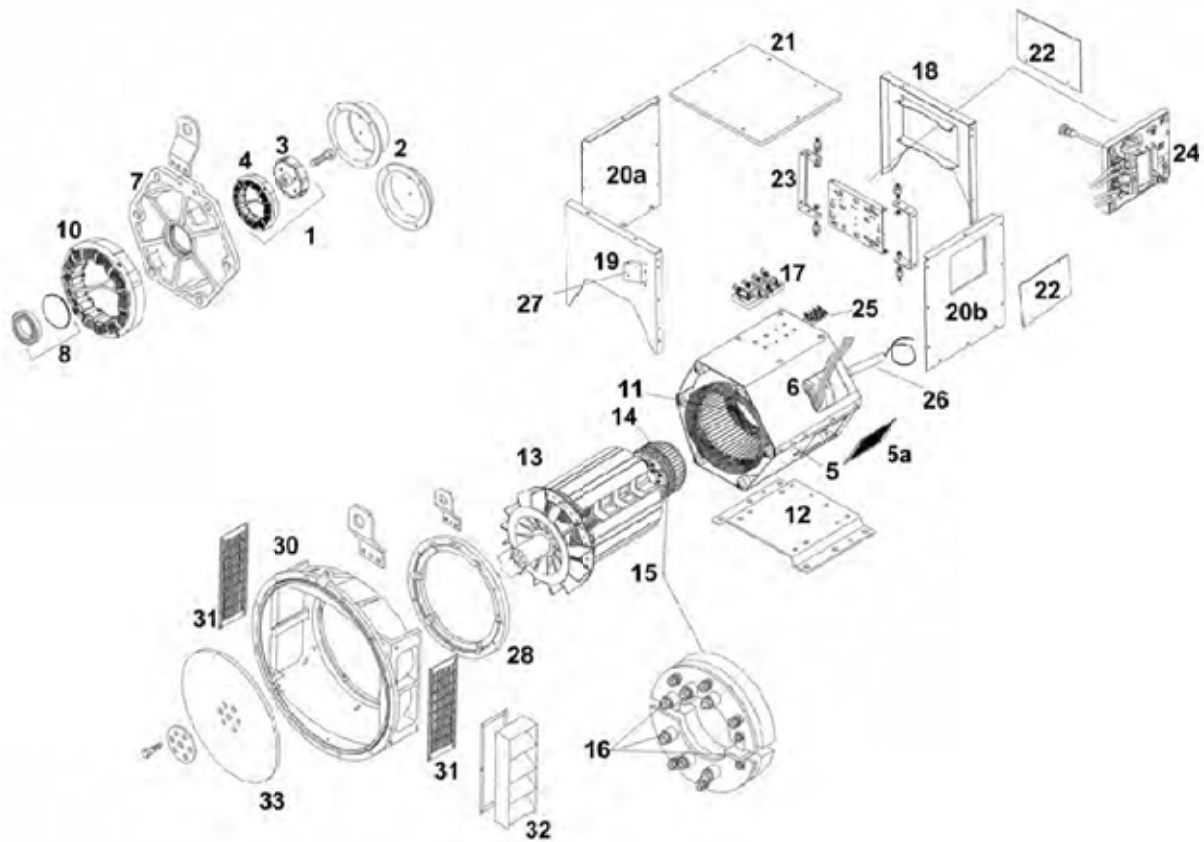
CIRCUIT BREAKER ASSEMBLY



REF #	PART NUMBER	QTY	DESCRIPTION
1	SEE TABLE	1	Circuit Breaker Panel
2	58060-000	2	Ground Lug
3	350124-4	1	Neutral Block
4	SEE TABLE	1	Circuit Breaker
NI	810045-001	1	1 Phase Lead Wire Group
NI	810045-000	1	3 Phase Lead Wire Group

WINPOWER MODELS	PART NUMBER	DESCRIPTION
DE45F4-03/1 (120/240) Single Phase	352404-000 91447-009	CIRCUIT BREAKER PANEL 175 AMP 2-POLE BREAKER
DE45F4-04/1 (120/208) Three Phase	802053-030 81096-003	CIRCUIT BREAKER PANEL 150 AMP 3-POLE BREAKER
DE45F4-017/1 (120/240) Three Phase	802053-030 81096-003	CIRCUIT BREAKER PANEL 150 AMP 3-POLE BREAKER

GENERATOR END



GENERATOR SPECIFICATIONS:

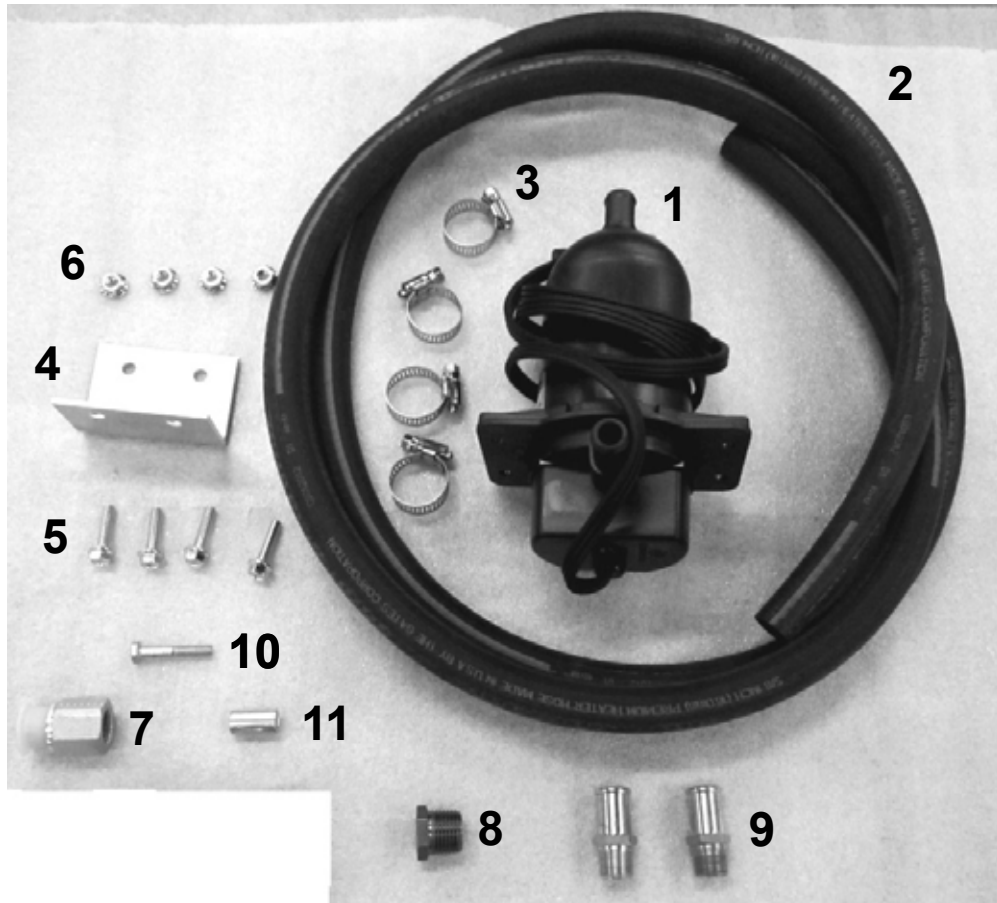
MODEL: UCI224D1L

COMPONENT	RESISTANCE VALUES
STATOR	0.065 Ohms
MAIN ROTOR	0.64 Ohms
EXCITER STATOR	21 Ohms
EXCITER ROTOR	0.142 Ohms

For a complete Stamford Newage manual and parts list for the generator-end use the following link to download it.

<https://www.cumminsgeneratortechnologies.com/en/>

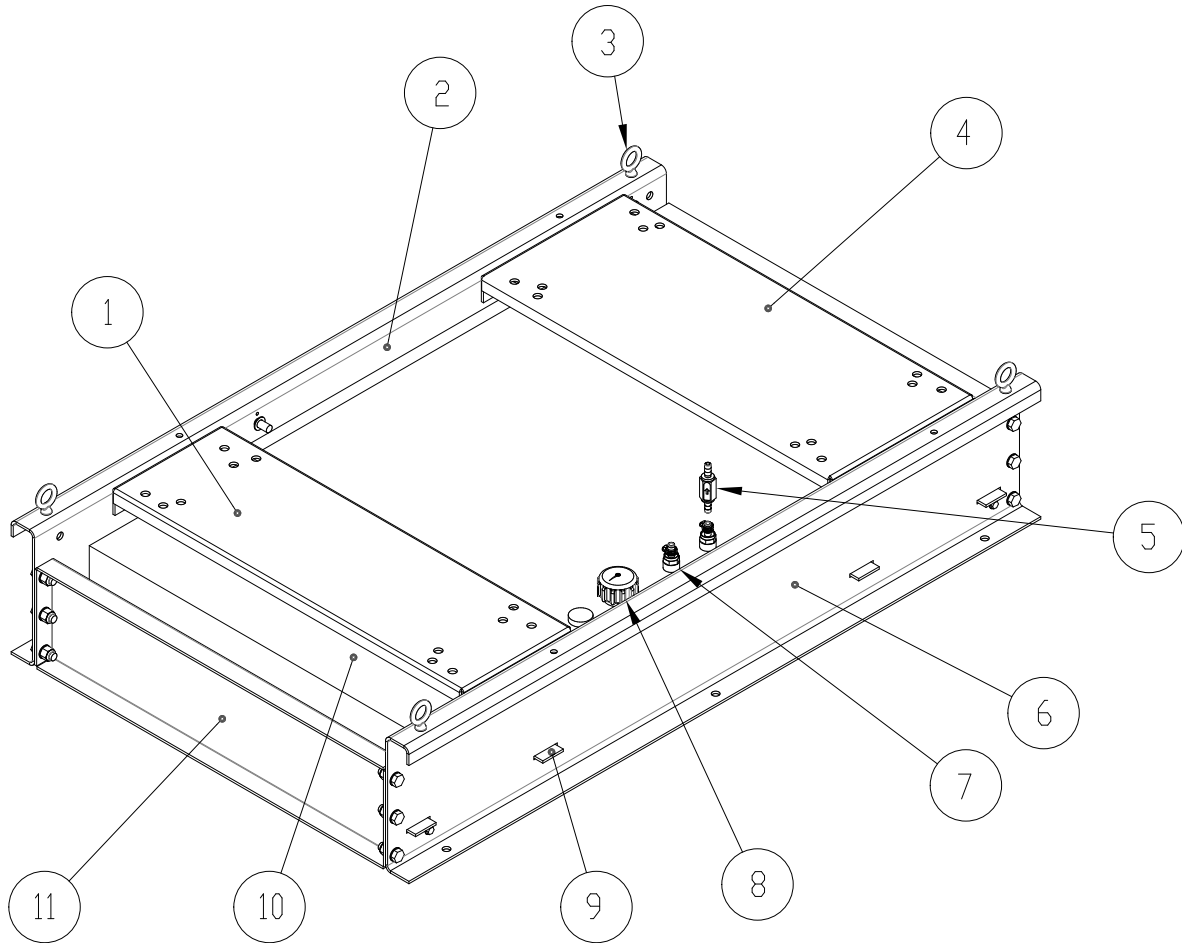
BLOCK HEATER KIT (OPTIONAL)



COMPONENT & HARDWARE LIST

REF. #	PART #	DESCRIPTION	QTY.
1	80781-003	1000 Watt 120 Volt Heater	1
2	93689-001	5/8" I.D. Hose	8 FT.
3	81018-005	Hose Clamp	4
4	Reference	Mounting Bracket	1
5	Reference	Bolt	4
6	Reference	Nut	4
7	300349-9	Adapter	1
8	56372-000	Reducer	1
9	92388-000	Hose Fitting	2
10	75139-035	Bolt	1
11	62825-003	Spacer	1

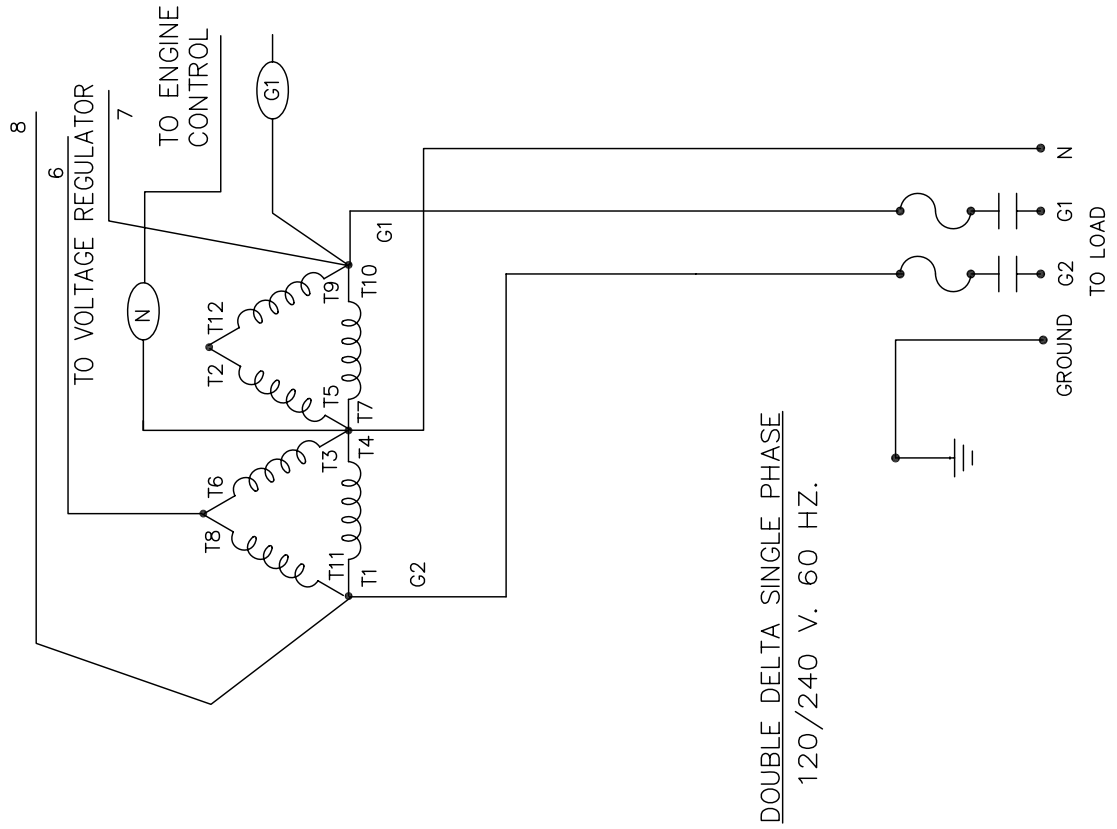
FUEL TANK KIT (OPTIONAL)



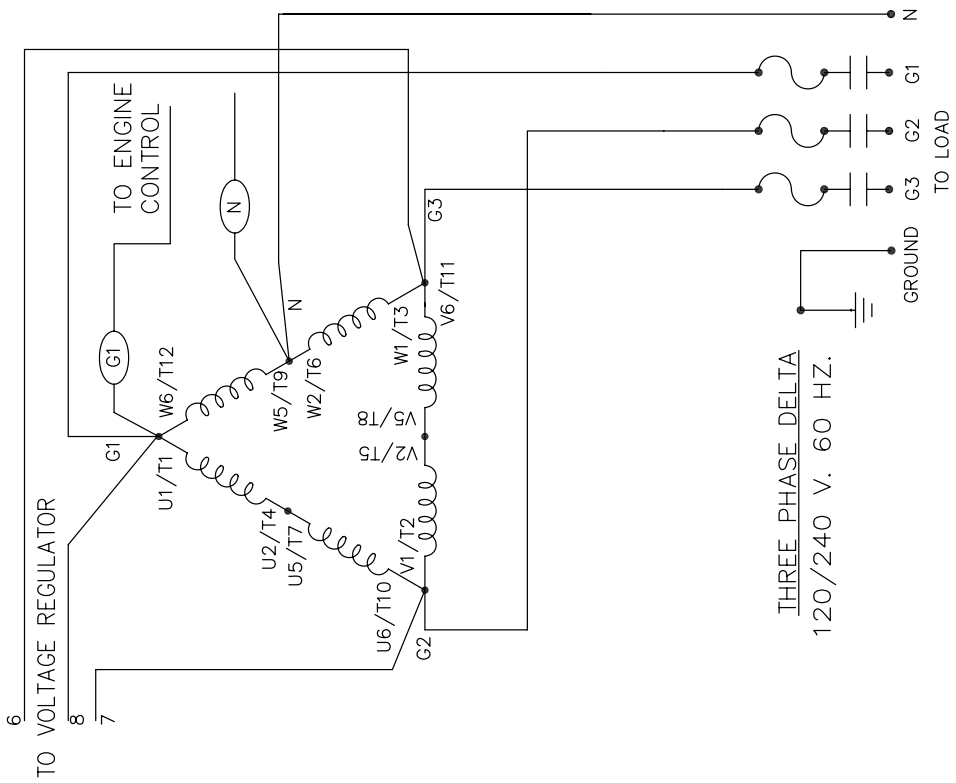
REF #	PART NUMBER	QTY	DESCRIPTION
1	815000-005S	1	Engine Cross Member
2	815000-001S	1	Left Rail
3	51559-001	4	Eye Bolt
4	815000-006S	1	Generator Cross Member
5	95895-001	1	Check Valve
6	815000-002S	1	Right Side Rail
7	94319-008	2	Hose Fitting
8	62396-003	1	Fuel Cap with Gauge
9	815000-004S	2	Tank Support
10	350041-99	1	32 Gallon Plastic Fuel Tank
11	815000-003S	2	End Cap
NI	815000-451	4	Tank Foam
NI	55505-000	8 FT	Fuel Hose
NI	81018-009	6	Hose Clamp
NI	92421-001	6 FT	¾" Foam Strip
NI	Not Illustrated		

AC WIRING SCHEMATICS

120/240 Single Phase

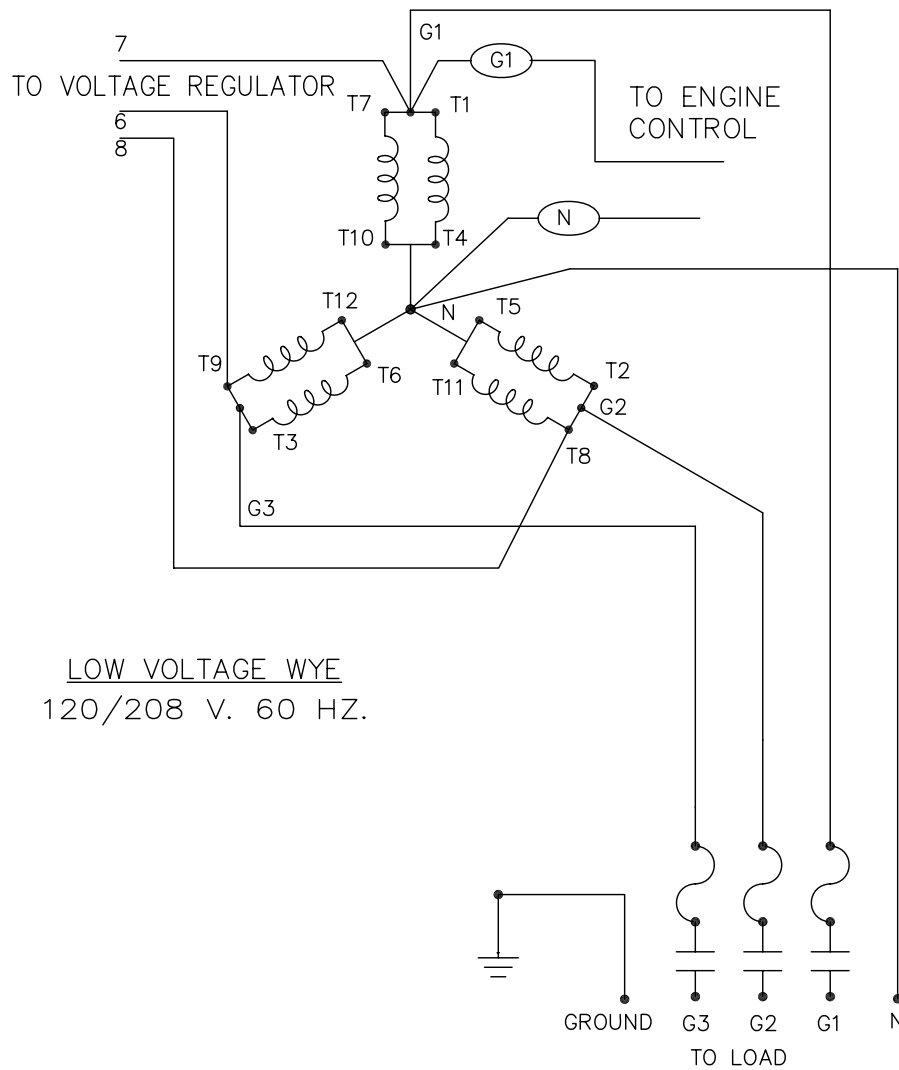


120/240 Three Phase



AC WIRING SCHEMATIC

120/208 Three Phase



WIRING DIAGRAM KEY-START CONTROL

