

WINPOWER[®]

Powr-Pak[®]

ILLUSTRATED PARTS LIST

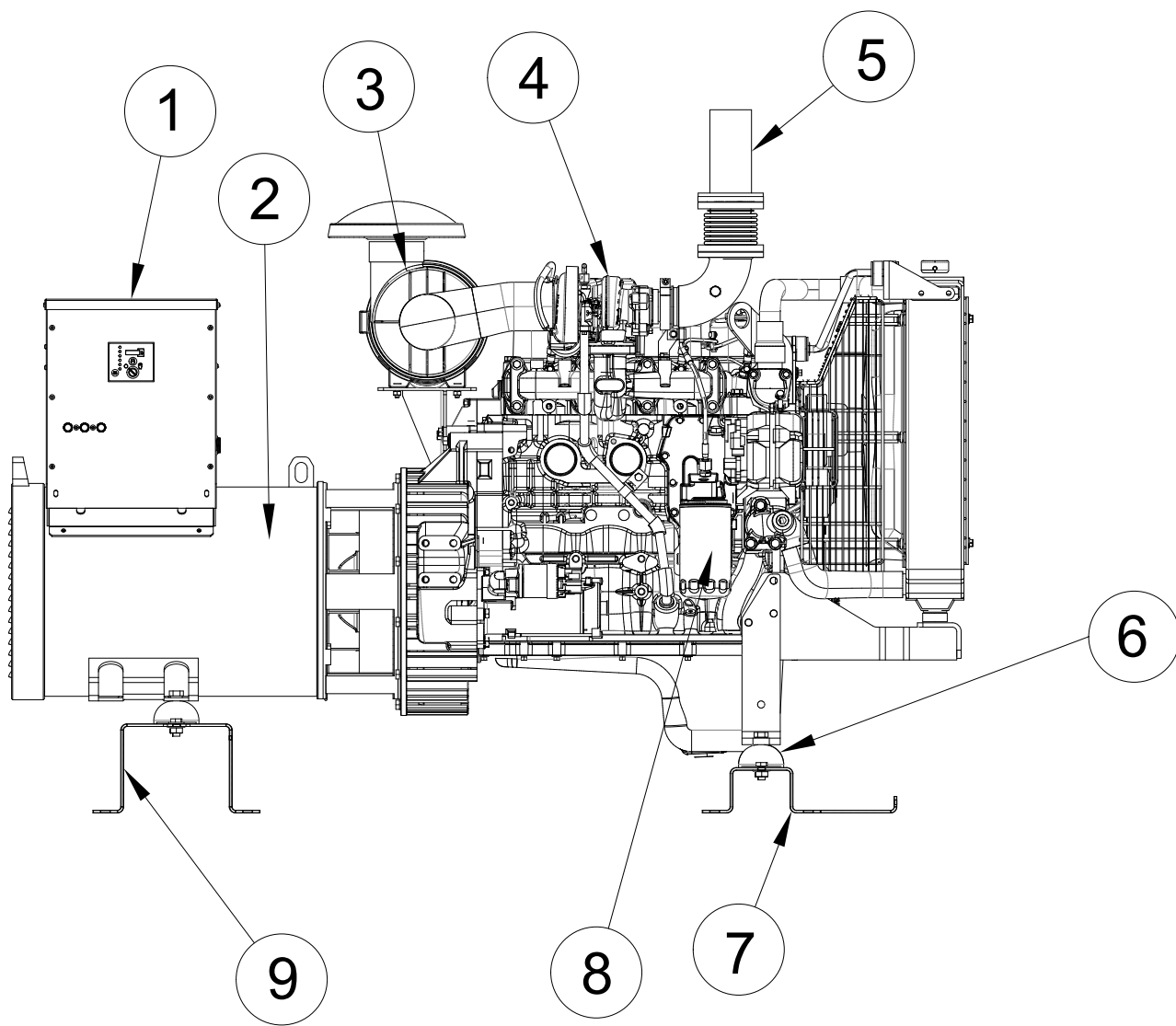
DE45I4

**WITH DSE 702 CONTROL
WITH KEY-START CONTROL
WITH DSE 3110 CONTROL**



**WINCO INC.
225 S. CORDOVA AVE.
LE CENTER, MN 56057
(507) 357-6821
SERVICE DEPT.
(507) 357-6831
wincogen.com**

ENGINE / GENERATOR ASSEMBLY

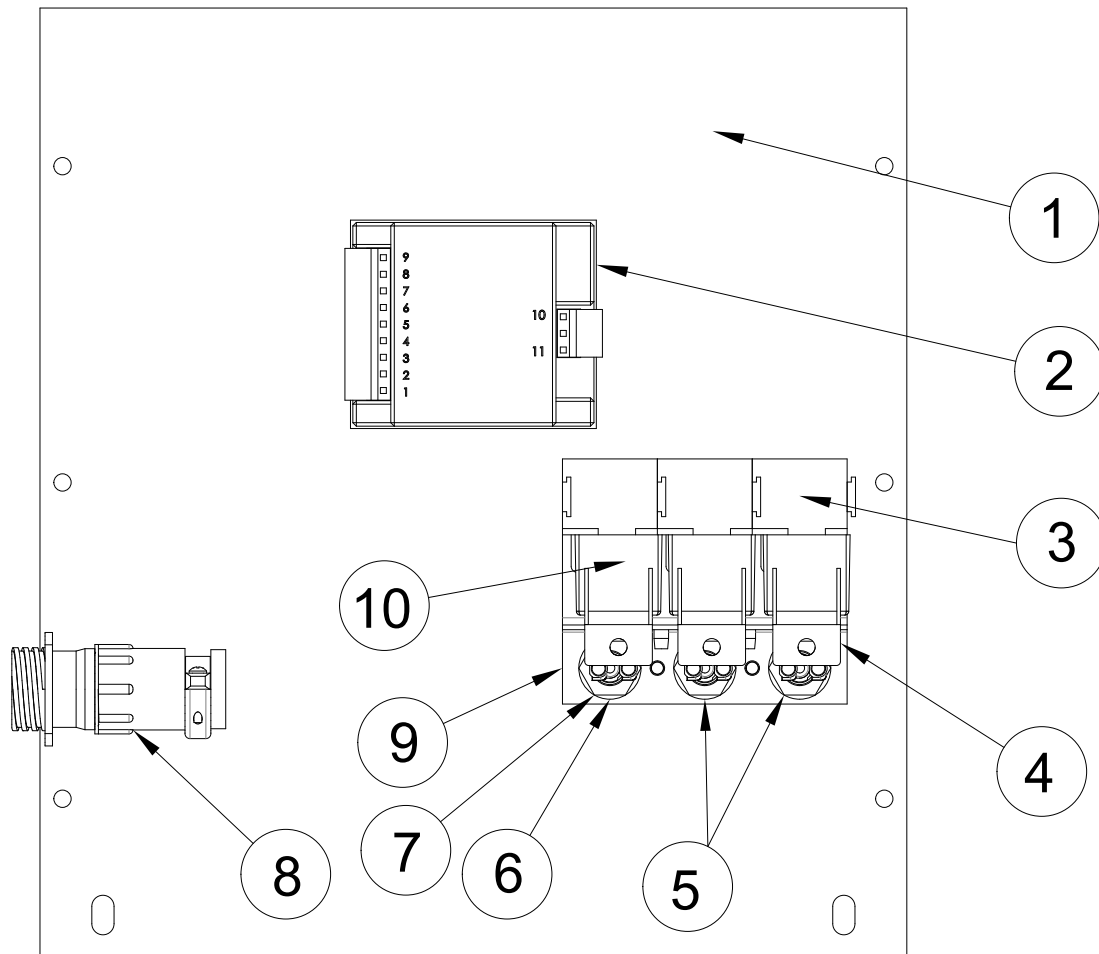


REF #	PART NUMBER	QTY	DESCRIPTION
1	SEE TABLE	1	Control Panel Assembly
2	SEE TABLE	1	Mecc Alte Spa Generator
3	8031211	1	Primary Air Filter
3	8031265	1	Secondary Air Filter Element
4	350001-74	1	Engine, Iveco NEF45SM1X
5	807045-000	1	Exhaust Pipe with Flange
6	98956-002	4	Shock Mount
7	801045-001S	1	Front Cross Member
8	2992242	1*	Oil Filter
9	801045-002S	1	Rear Cross Member
NI	350484-6	1	Battery Hold Down Kit
NI	22097-009	1	Battery Positive (+) Cable
NI	22097-014	1	Battery Negative (-) Cable
NI	811045-000	1	Engine Harness
NI	16428-412	1	DSR Voltage Regulator
NI	504107584	1*	Fuel Filter
*	Iveco Part #		
NI	Not Illustrated		

WINPOWER MODEL #	WINPOWER PART #	DESCRIPTION
DE45I4 (w / DSE702)	802045-100	DSE702 Control Panel Assy.
DE45I4 (w / Key-start)	802045-105	Key-start Control Panel Assy.
DE45I4 (w / DSE3110)	802045-101	DSE3110 Control Panel Assy.

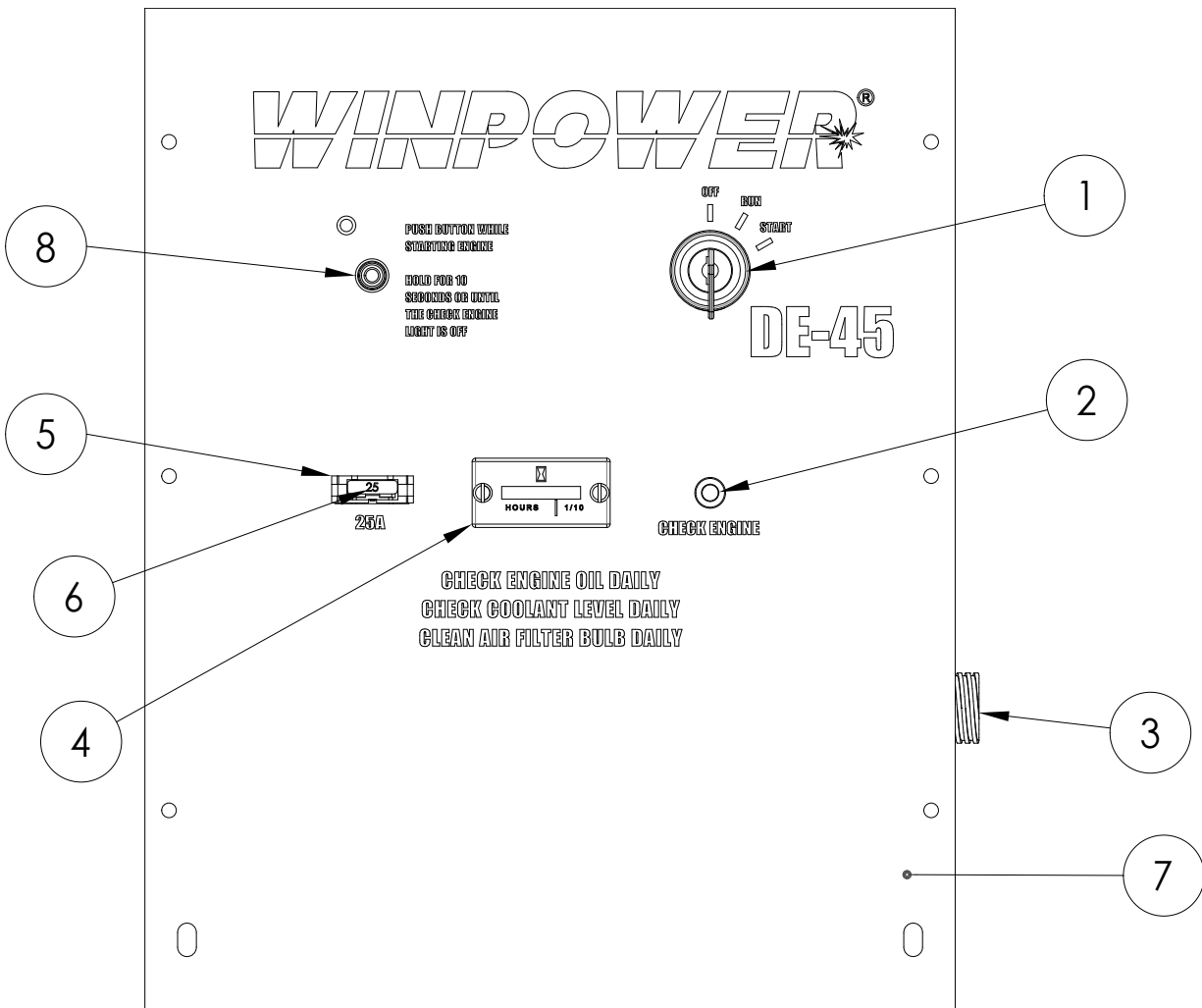
MODEL #	MECC ALTE SPA MODEL #	WINPOWER PART #
Single Phase: DE45I4-A (120/240)	ECO32-1L/4 4-LEAD	351836-9
Three Phase: DE45I4-D (120/208) DE45I4-J (120/240) DE45I4-L (277/480)	ECO32-1L/4 12-LEAD	351836-3

DSE702 CONTROL PANEL ASSEMBLY



REF #	PART NUMBER	QTY	DESCRIPTION
1	802045-000	1	Control Panel
2	351115-1	1	DSE702 Control
3	59270-001	3	5 Pin Relay Connector
4	802020-005	1	Relay Bracket
5	95064-008	2	2 Amp Fuse
6	95064-005	1	25 Amp Fuse
7	2489-001	3	Fuse Holder
8	96925-006	1	16 Pin Connector
9	59944-016	3	SPDT Relay
NI	802020-008	1	Relay Hold Down Bracket
NI	99555-001	1	Strain Relief Adapter
NI	Not Illustrated		

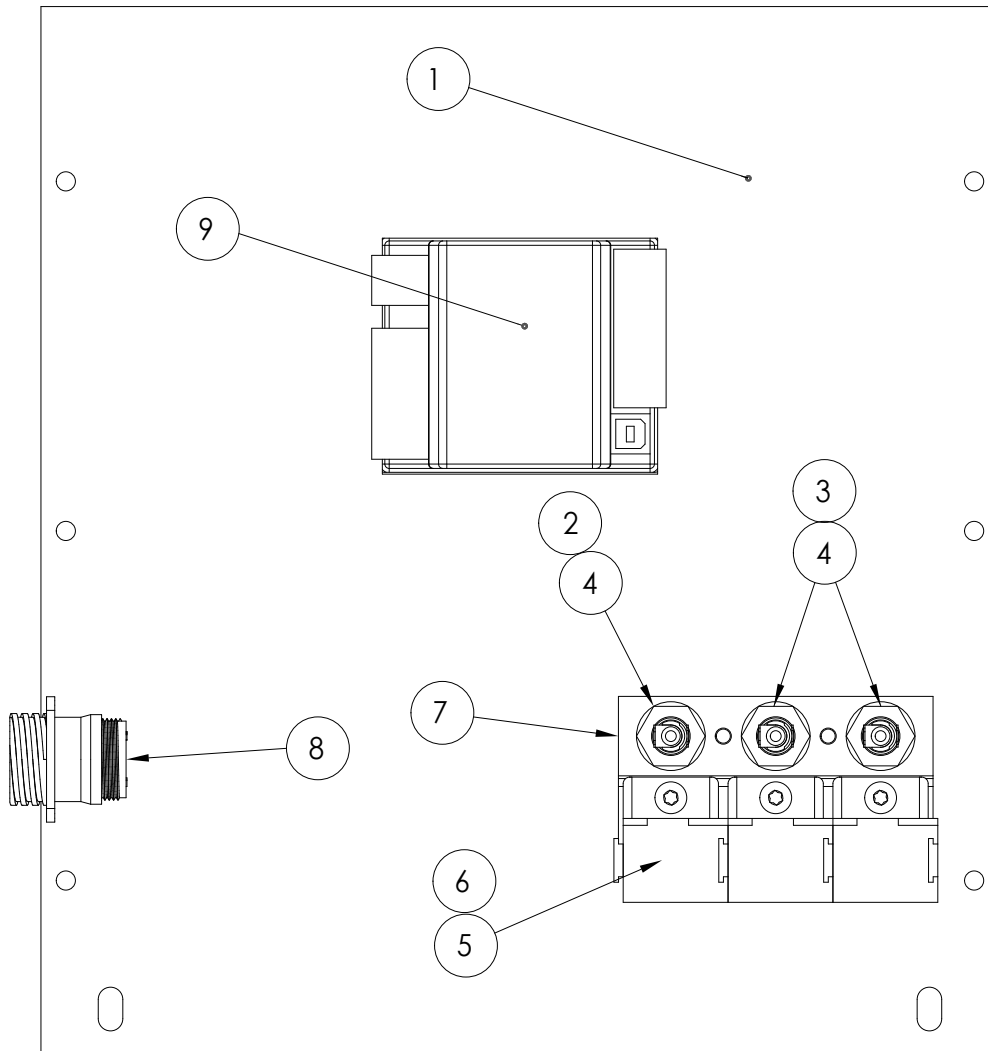
KEY-START CONTROL PANEL ASSEMBLY



REF #	PART NUMBER	QTY	DESCRIPTION
1	72252-001	1	Start Switch (on)-off-on-(on)
2	57991-007	1	Red Indicator Light
3	96925-006	1	16 Pin Connector
4	58166-006	1	4-40 VDC Running Time Meter
5	2489-002	1	Panel Mount Fuse Holder
6	95064-125	1	25 Amp Fuse
7	802045-050	1	Key-Start Control Panel
8	91688-001	1	Safety Latching Relay

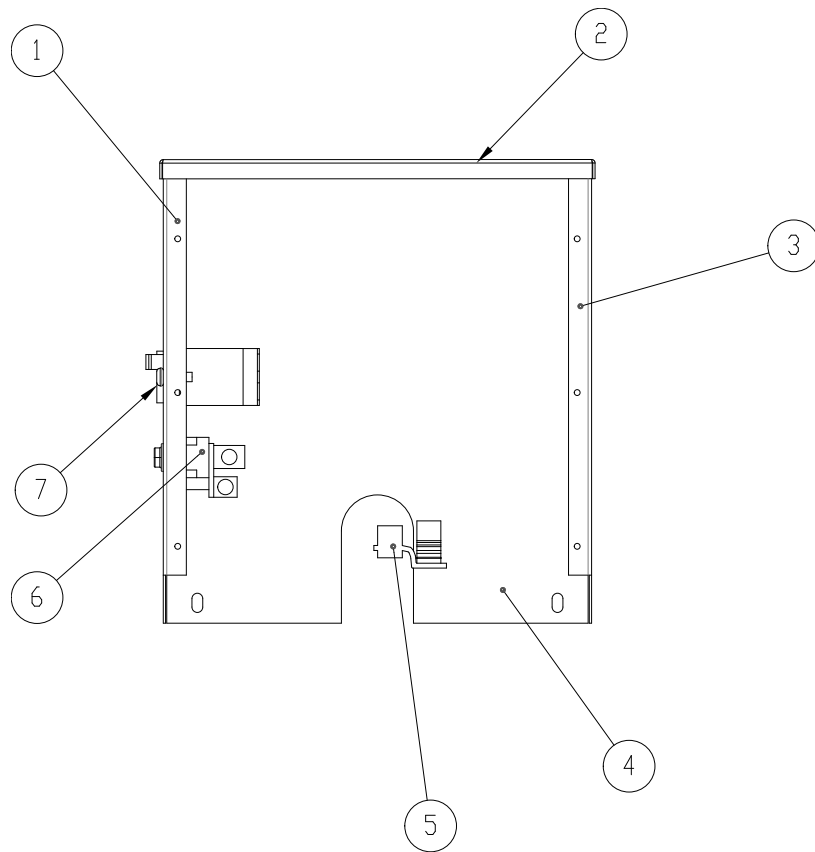
Note: Complete Panel Assembly sold as part # 802045-105

DSE3110 CONTROL PANEL ASSEMBLY



REF #	PART NUMBER	QTY	DESCRIPTION
1	802045-010	1	Control Panel
2	95064-005	1	25 Amp Fuse
3	95064-008	2	2 Amp Fuse
4	2489-001	3	Fuse Holder
5	59270-001	3	5 Pin Relay Connector
6	59944-016	3	SPDT Relay
7	802020-012	1	Relay Bracket
8	96925-006	1	16 Pin Connector
9	351112-5	1	DSE3110 Control
NI	802020-011	1	Relay Bracket
NI	99555-001	1	Strain Relief Adapter
NI	Not Illustrated		

CIRCUIT BREAKER ASSEMBLY

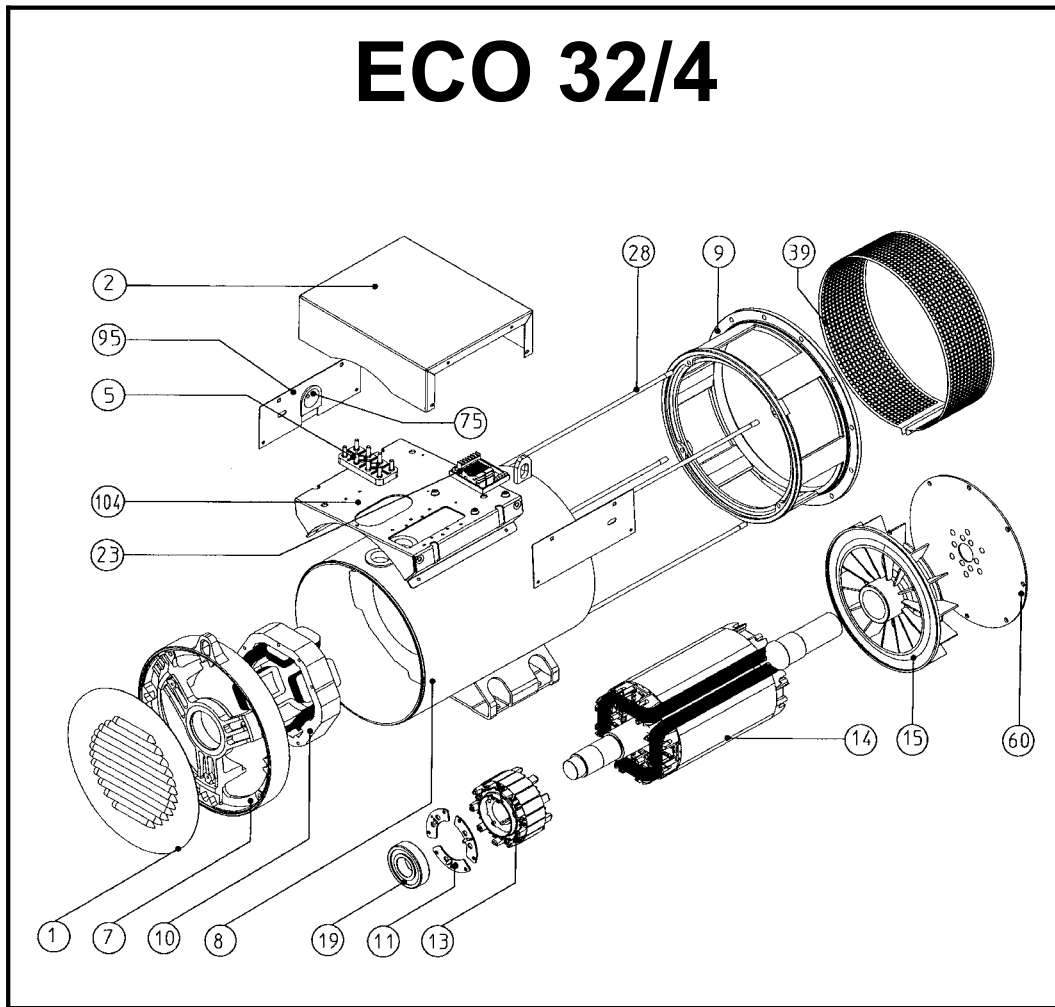


REF #	PART NUMBER	QTY	DESCRIPTION
1	SEE TABLE	1	Circuit Breaker Panel
2	802045-004S	1	Cover
3	802045-002S	1	Front Panel
4	802045-001S	1	Connection Panel
5	58060-000	2	Ground Lug
6	350124-4	1	Neutral Block
7	SEE TABLE	1	Circuit Breaker

WINPOWER MODELS	PART NUMBER	DESCRIPTION
DE4514-A (120/240) Single Phase	802045-005S 91447-009	CIRCUIT BREAKER PANEL 175 AMP 2-POLE BREAKER
DE4514-D (120/208) Three Phase	802045-003S 81096-003	CIRCUIT BREAKER PANEL 90 AMP 3-POLE BREAKER
DE4514-J (120/240) Three Phase	802045-003S 81096-002	CIRCUIT BREAKER PANEL 125 AMP 3-POLE BREAKER
DE4514-L (277/480) Three Phase	802045-006S 81097-005	CIRCUIT BREAKER PANEL 70 AMP 3-POLE BREAKER

GENERATOR END

ECO 32/4



GENERATOR SPECIFICATIONS:

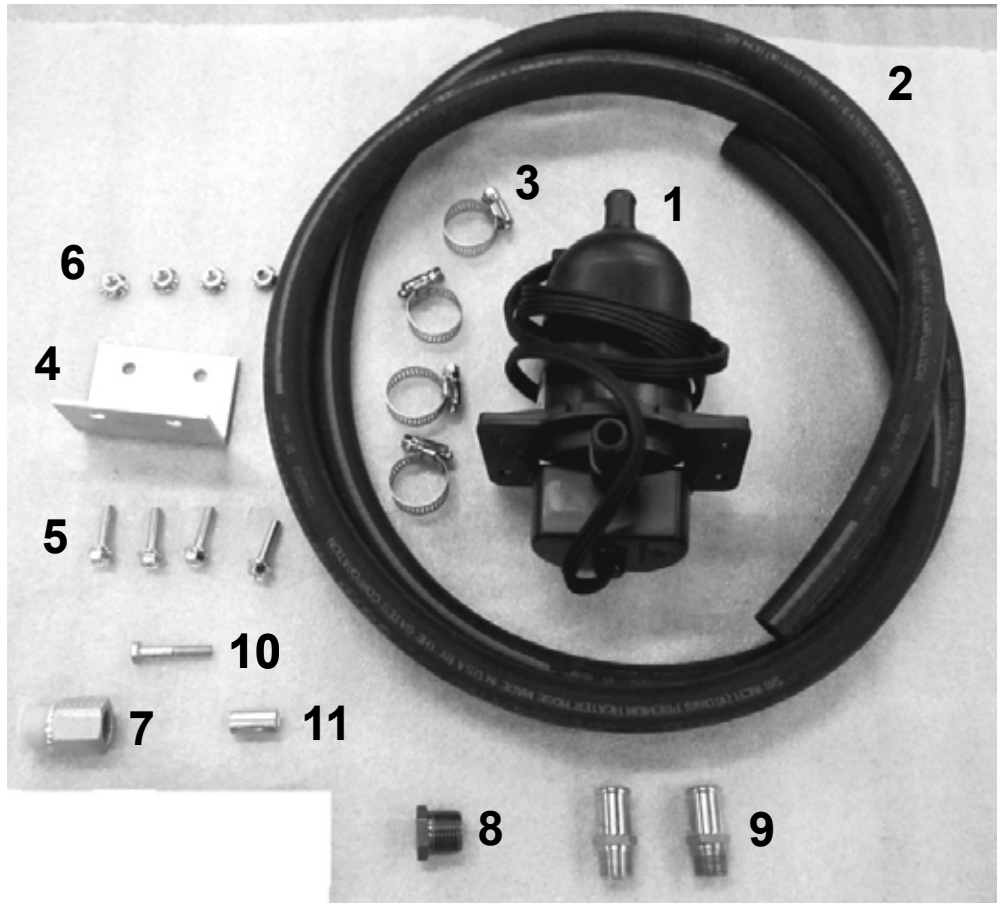
MODEL: ECO32-1L/4

COMPONENT	RESISTANCE VALUES
STATOR	0.061 Ohms
ROTOR	2.473 Ohms
AUXILIARY	0.993 Ohms
EXCITER STATOR	11.35 Ohms
EXCITER ROTOR	0.442 Ohms

For a complete Mecc Alte Spa Manual for the generator-end use the following link to download it from the Winco website.

http://www.wincogen.com/Winco_downloads.html#genend

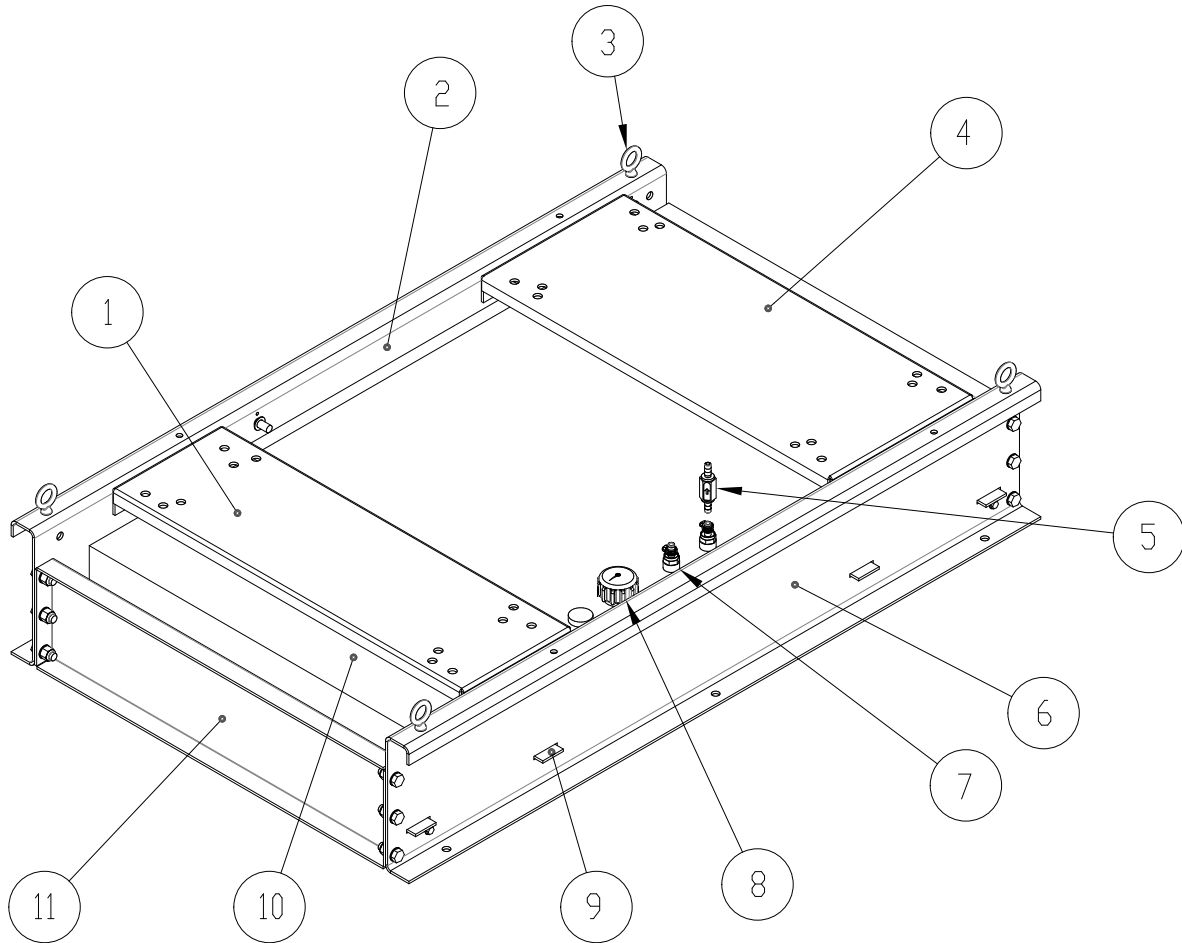
BLOCK HEATER KIT (OPTIONAL)



COMPONENT & HARDWARE LIST

REF. #	PART #	DESCRIPTION	QTY.
1	80781-003	1000 Watt 120 Volt Heater	1
2	93689-001	5/8" I.D. Hose	8 FT.
3	81018-005	Hose Clamp	4
4	Reference	Mounting Bracket	1
5	Reference	Bolt	4
6	Reference	Nut	4
7	300349-9	Adapter	1
8	56372-000	Reducer	1
9	92388-000	Hose Fitting	2
10	75139-035	Bolt	1
11	62825-003	Spacer	1

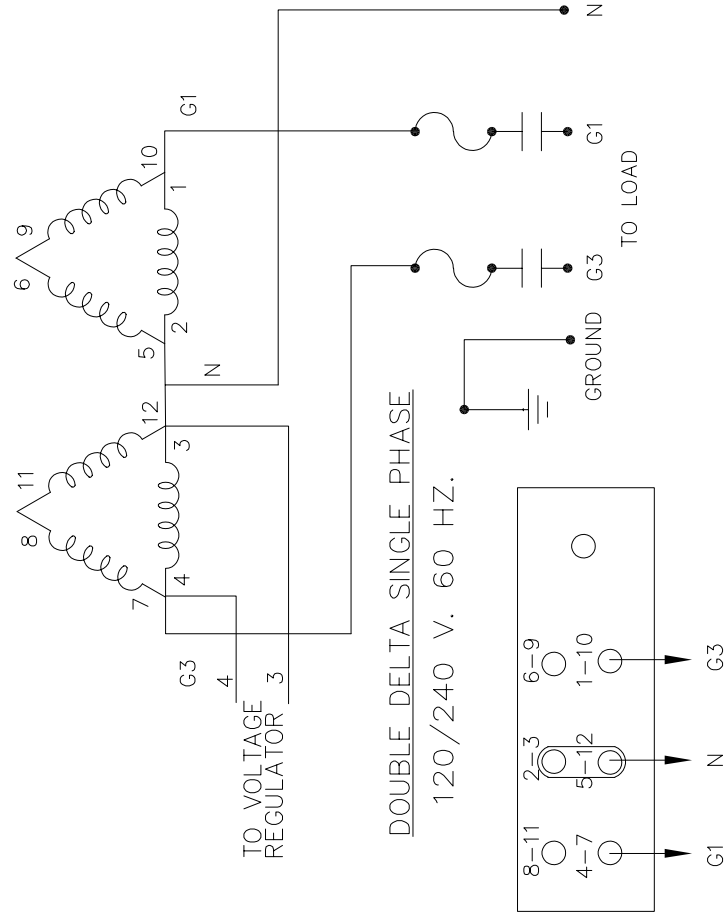
FUEL TANK KIT (OPTIONAL)



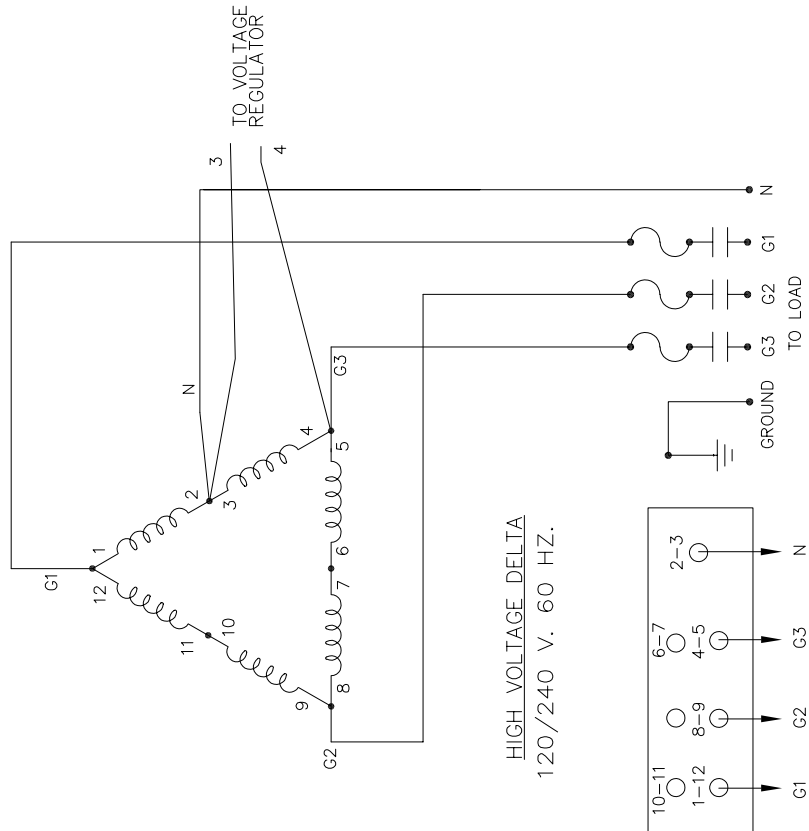
REF #	PART NUMBER	QTY	DESCRIPTION
1	815000-005S	1	Engine Cross Member
2	815000-001S	1	Left Rail
3	51559-001	4	Eye Bolt
4	815000-006S	1	Generator Cross Member
5	95895-001	1	Check Valve
6	815000-002S	1	Right Side Rail
7	94319-008	2	Hose Fitting
8	62396-003	1	Fuel Cap with Gauge
9	815000-004S	2	Tank Support
10	350041-99	1	32 Gallon Plastic Fuel Tank
11	815000-003S	2	End Cap
NI	815000-451	4	Tank Foam
NI	55505-000	8 FT	Fuel Hose
NI	81018-009	6	Hose Clamp
NI	92421-001	6 FT	3/4" Foam Strip
NI	Not Illustrated		

AC WIRING SCHEMATICS

120/240 Single Phase

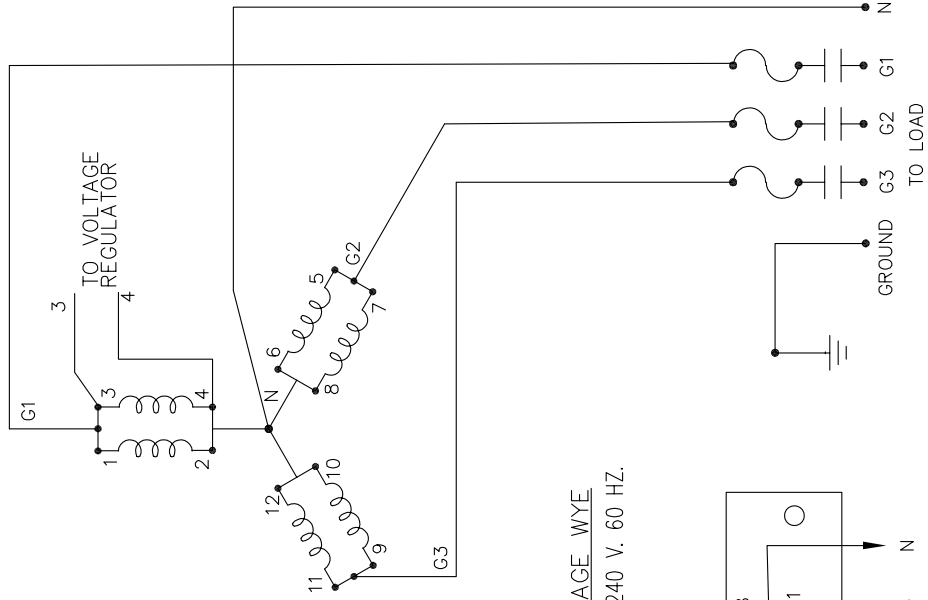


120/240 Three Phase

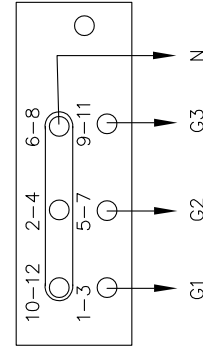


AC WIRING SCHEMATICS

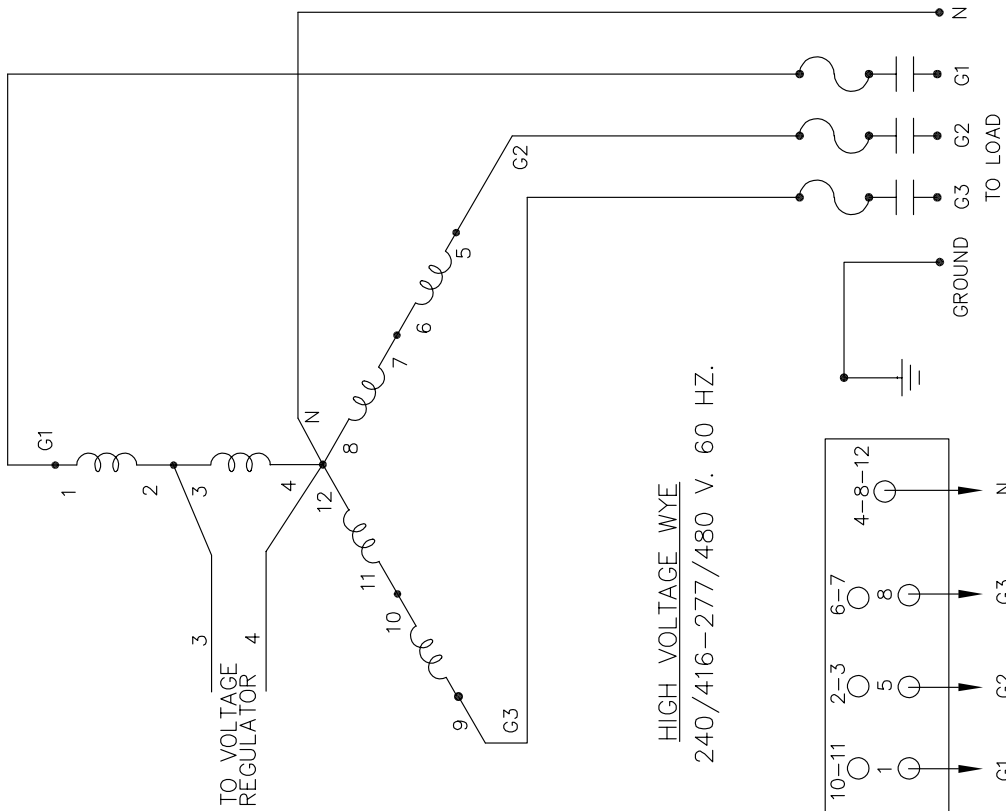
277/480 Three Phase



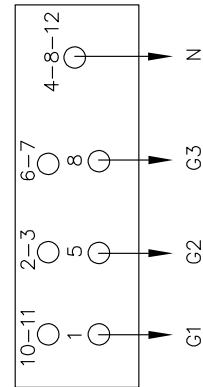
LOW VOLTAGE WYE
120/208-139/240 V. 60 HZ.



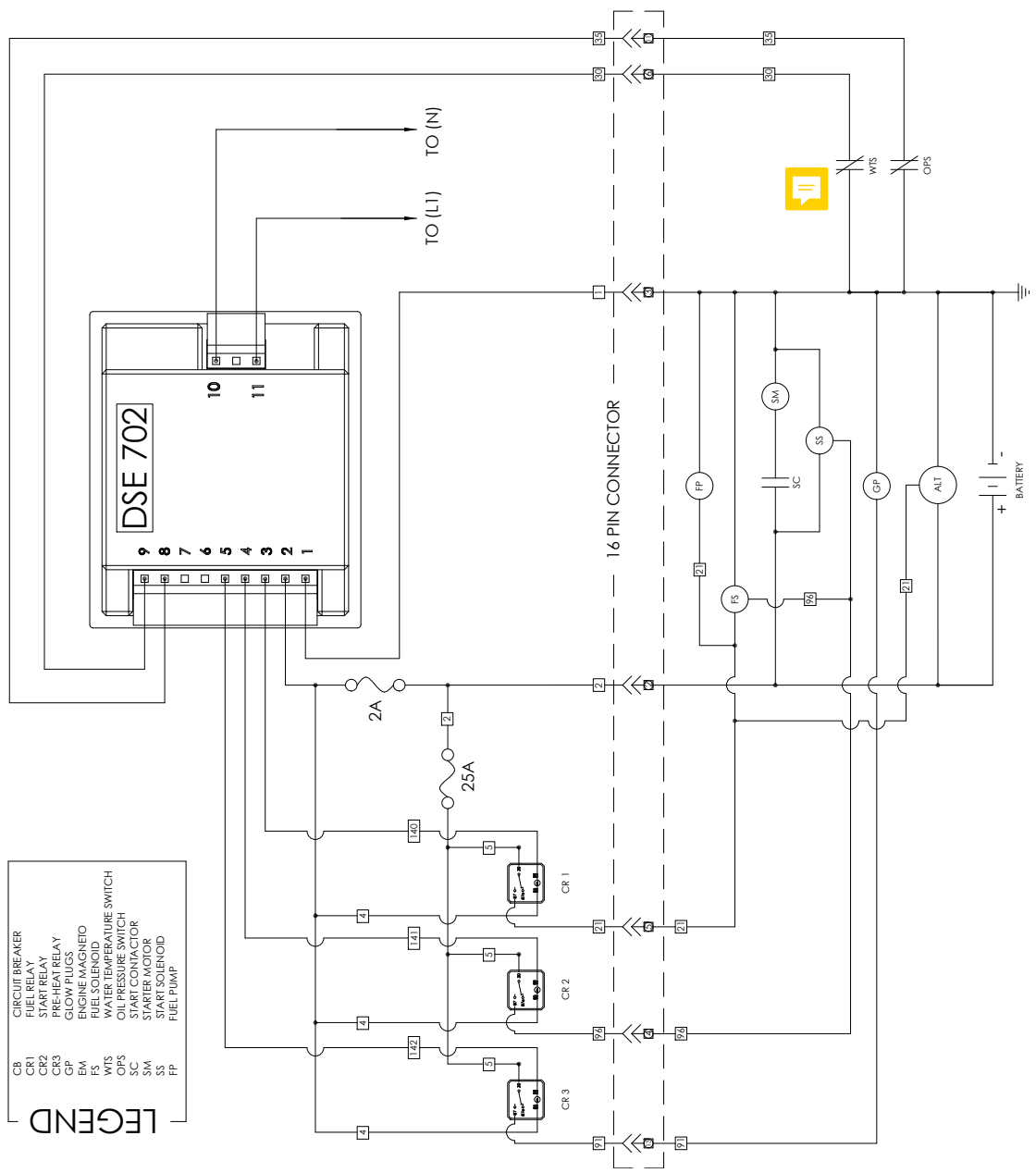
120/208 Three Phase



HIGH VOLTAGE WYE
240/416-277/480 V. 60 HZ.



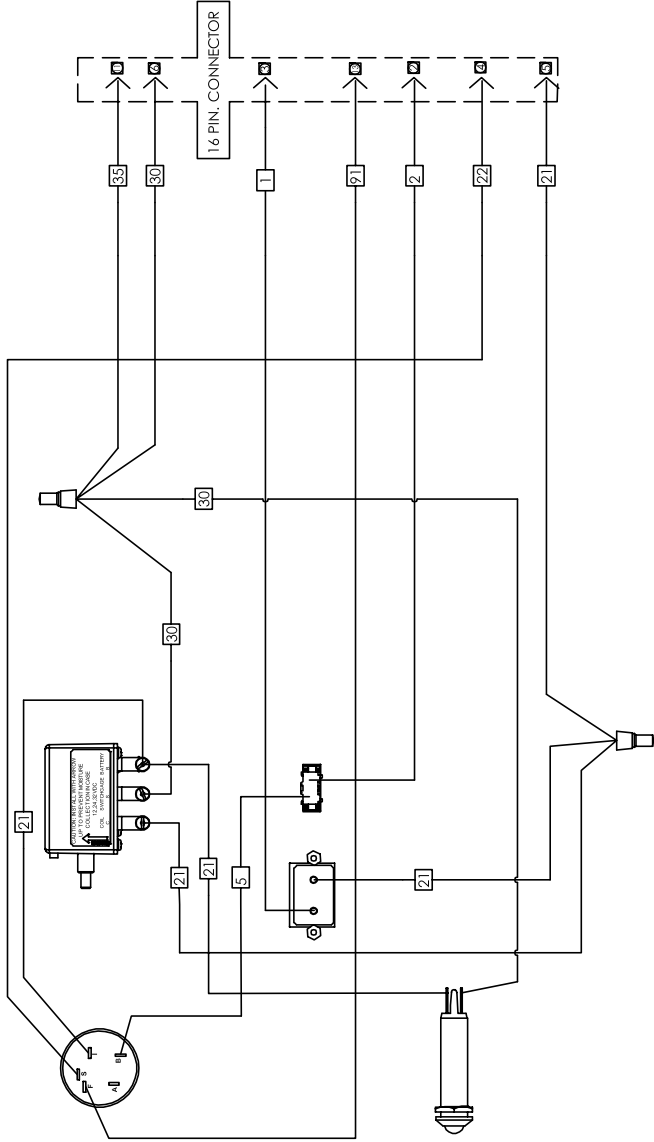
DC SCHEMATIC DSE702 CONTROL



LEGEND

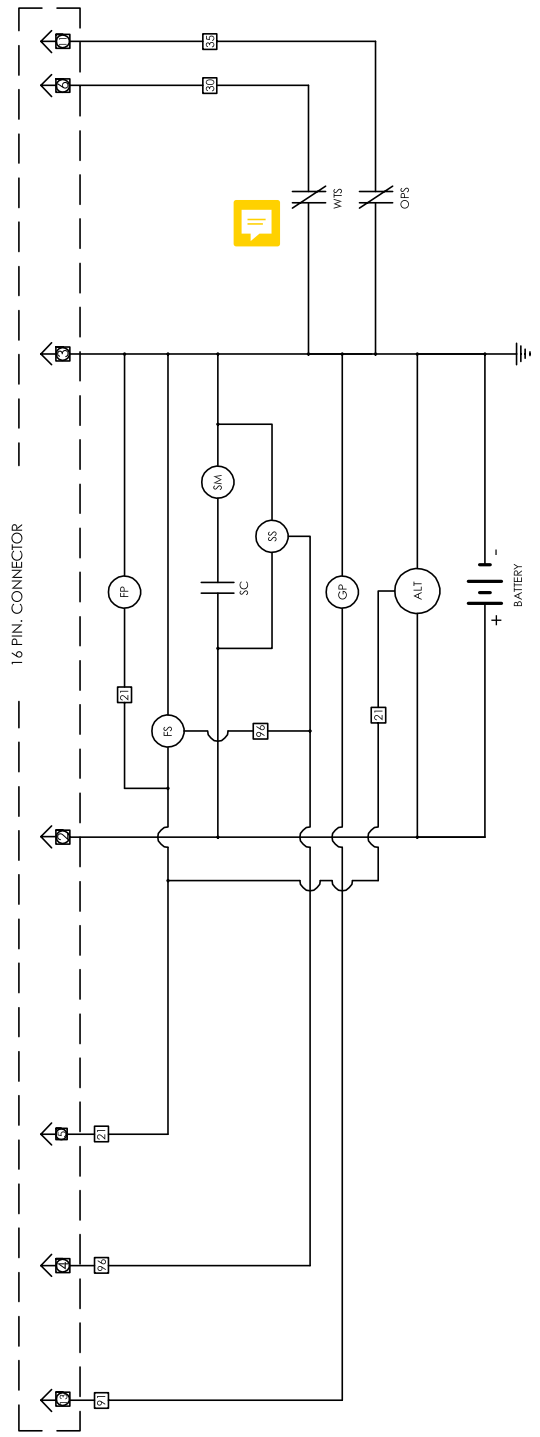
CB	CIRCUIT BREAKER
CR1	FUEL RELAY
CR2	START RELAY
CR3	IGNITION RELAY
EM	ENGINE MAGNETO
FS	FUEL SOLENOID
WTS	WATER TEMPERATURE SWITCH
OPS	OIL PRESSURE SWITCH
SM	START MOTOR
SS	START SOLENOID
FP	FUEL PUMP

DC SCHEMATIC KEY-START CONTROL



START
CONTROL
PANEL

ENGINE
WIRING
HARNESS



WIRING DIAGRAM DSE3110 CONTROL

