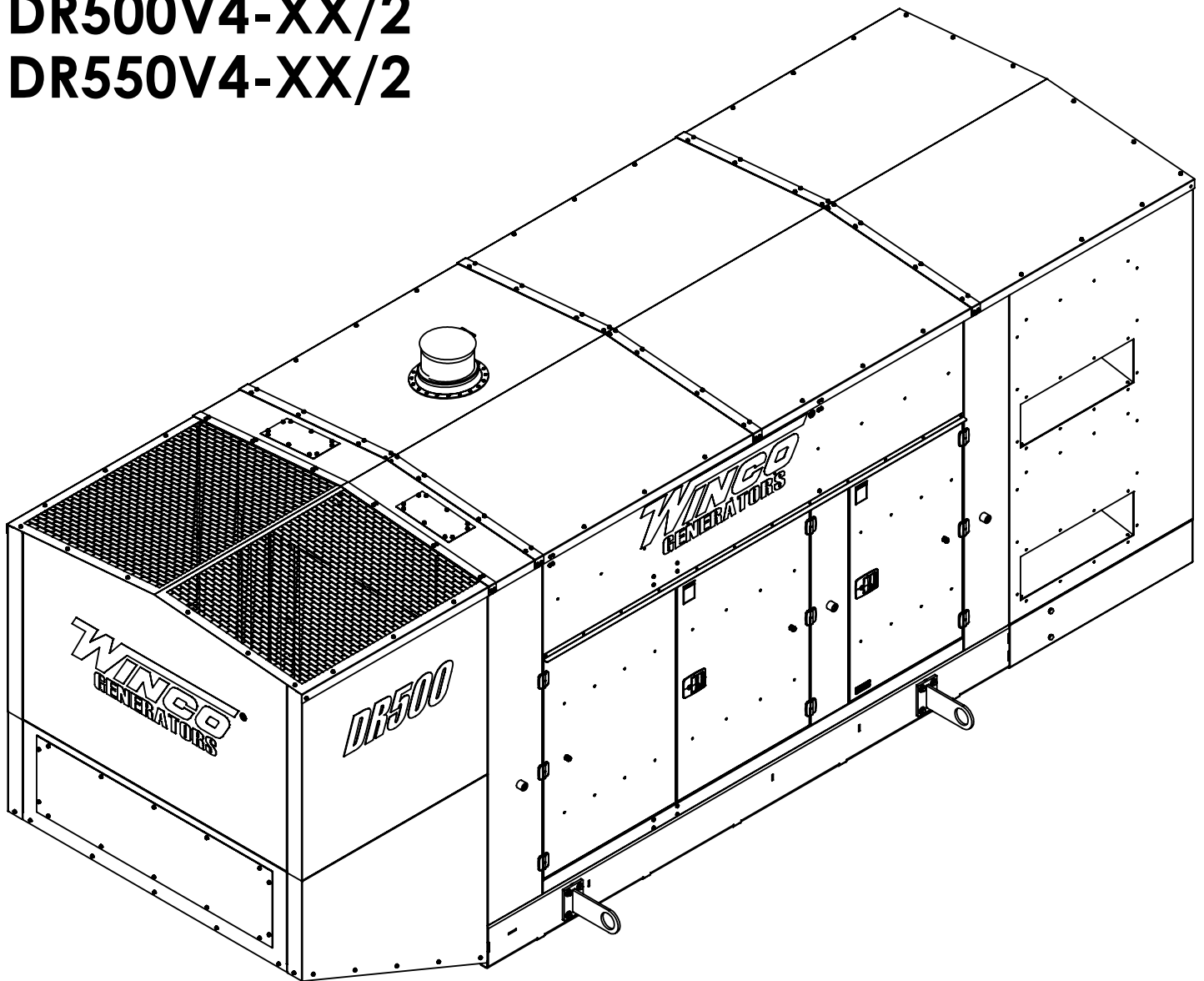


DR450V4-XX/2

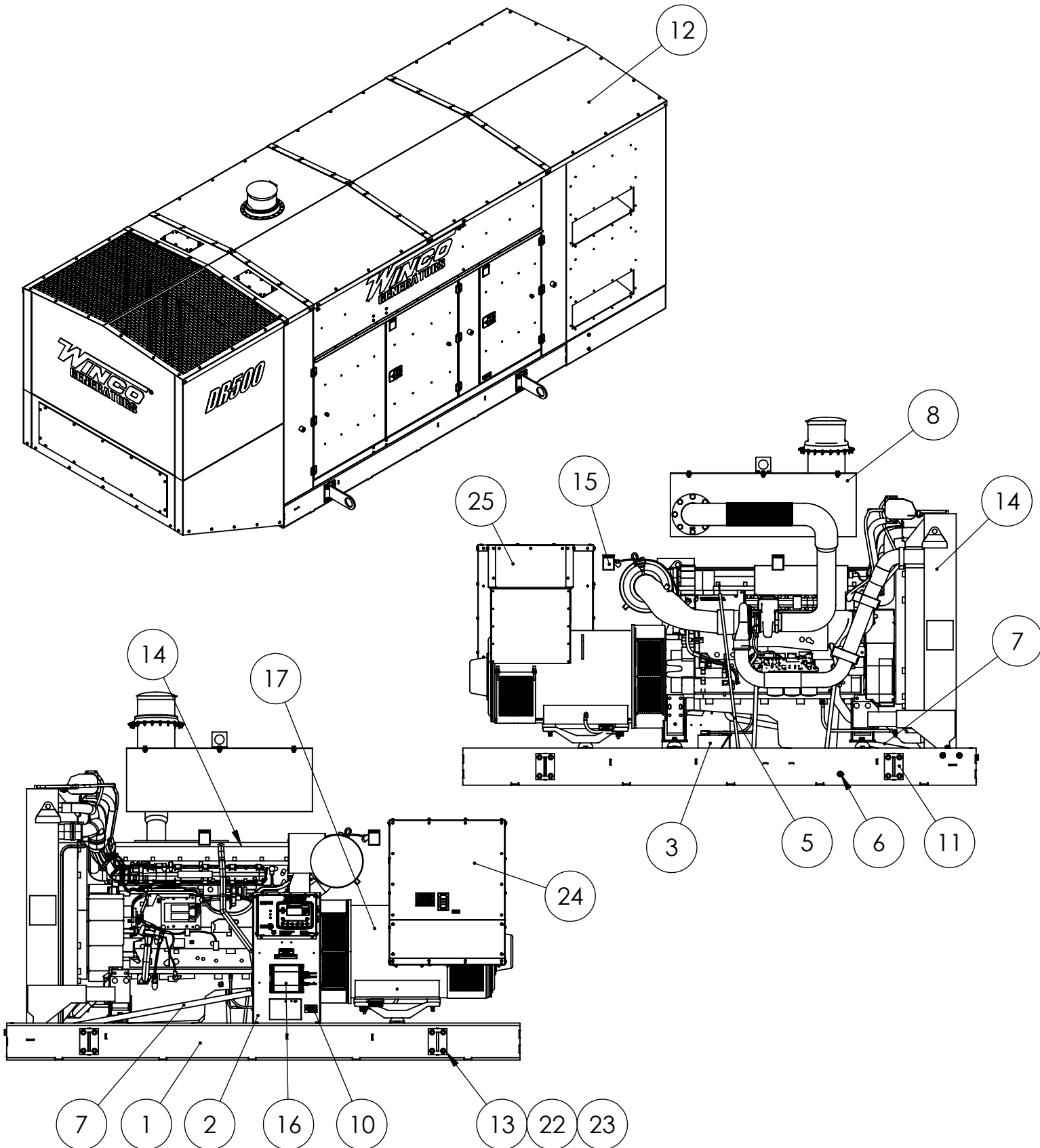
DR500V4-XX/2

DR550V4-XX/2



WINCO Service
Phone: 507-357-6831
Email: service@wincogen.com
www.wincogen.com

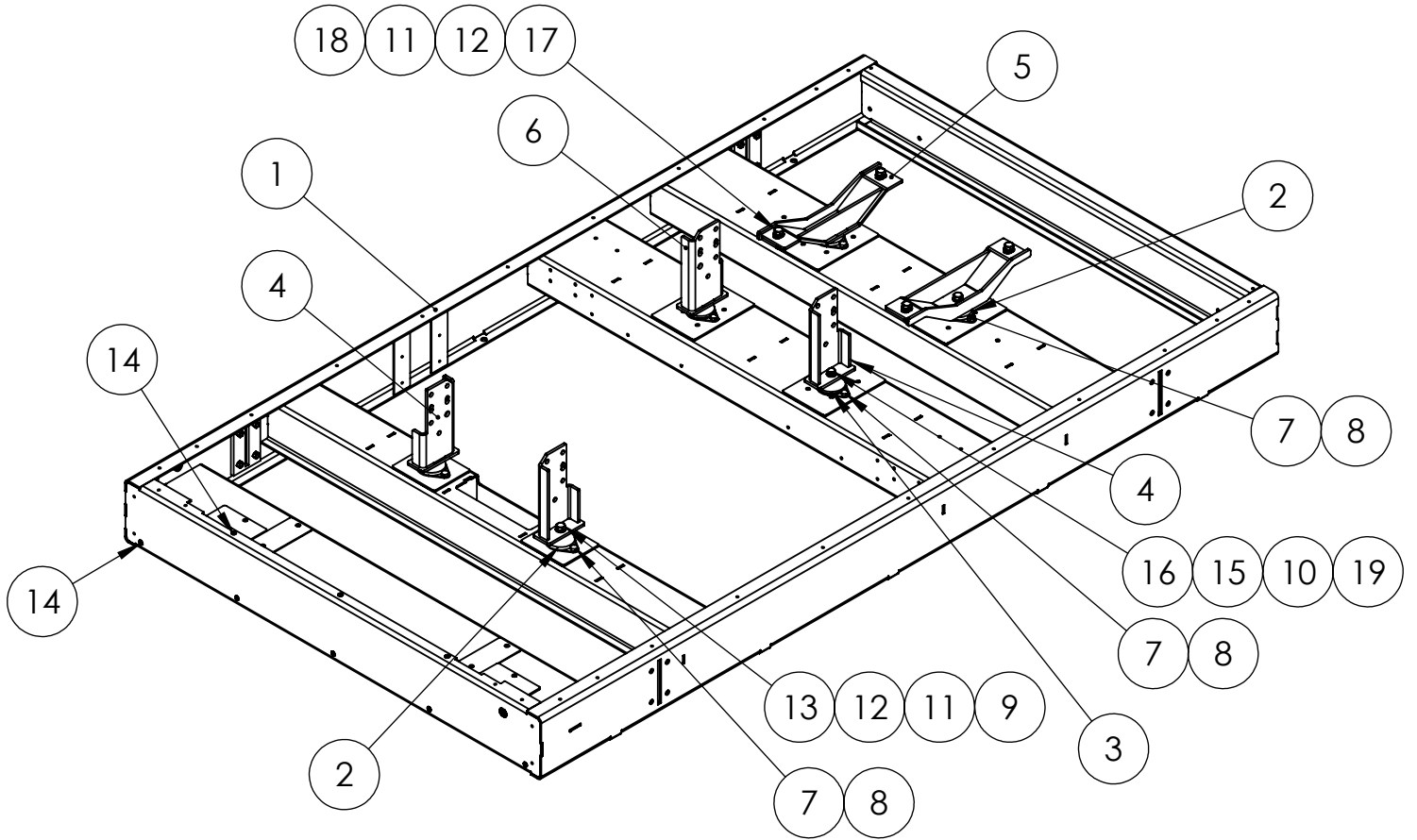
General Assembly



General Assembly Continued.

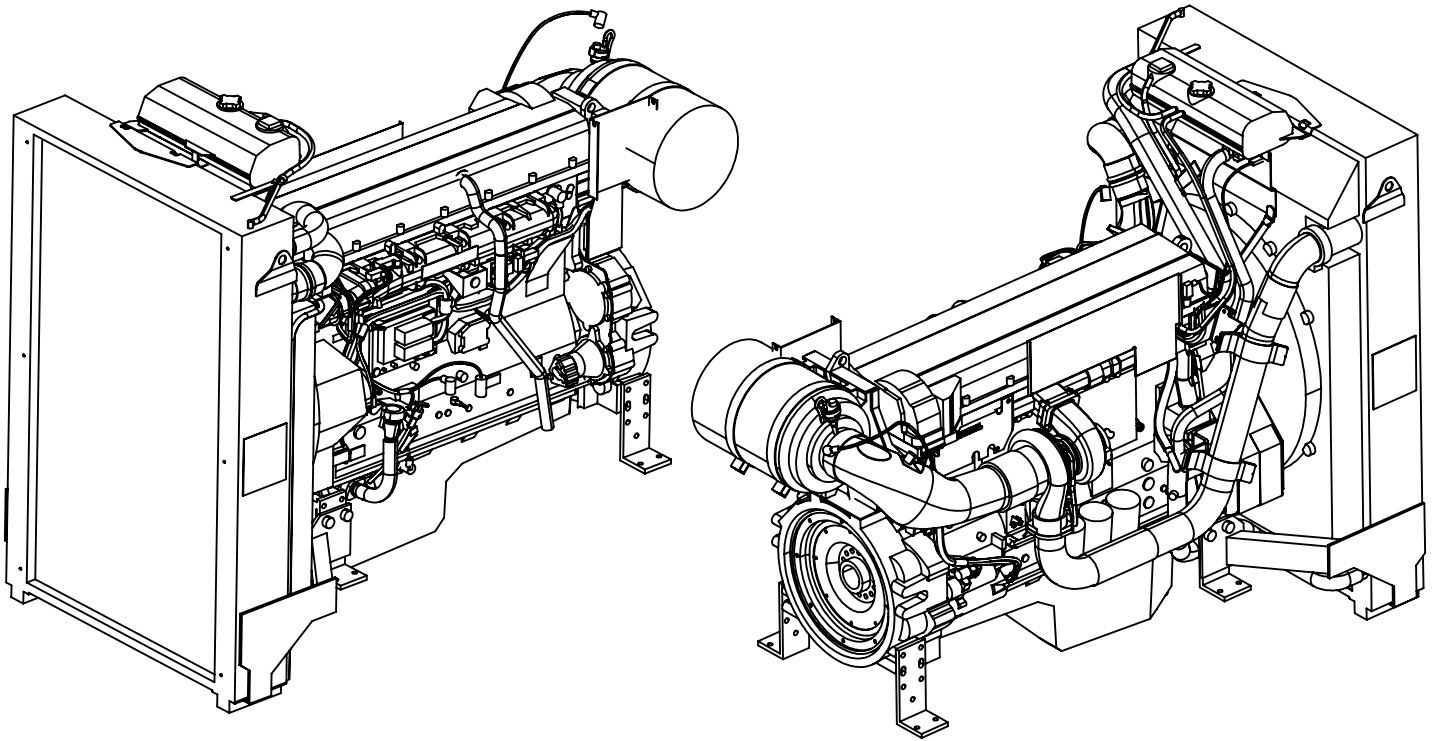
ITEM NO.	PART NUMBER	DESCRIPTION	QTY.
1	1000-0023	DR600 BASE ASSEMBLY	1
2	1000-0024	CONTROLLER ASSEMBLY	1
3	1000-0278	BATTERY TRAY KIT, DR600	1
4	1000-0294	HARDWARE KIT, DR600	1
5	1000-0392	WATER HEATER ASY - 3000W	1
6	1000-0396	(OIL DRAIN ASSY - DR600)	1
7	1000-0401	(CRANK BREATHER KIT - DR600 - VOLVO)	1
8	1000-0478	DR500 EXHAUST ASSEMBLY	1
9	1000-0488	RADIATOR DRAIN ASY - DR500	1
10	16200-548	MAINTENANCE KIT DECAL	1
11	2000-0193	DR SERIES LIFTING EYE WELDMENT	4
12	2000-0387	GEN 2 HOUSING DR500 FAMILY	1
13	21867-002	WASHER .5 X 1.375 X .146	16
14	350001-110S	ENGINE, VOLVO, TAD1641GE-B, SAE 1-14, 16.1L	1
15	351559-12	DECAL PACKAGE	1
16	352020-25	24 VOLT 8 AMP BATTERY CHARGER KIT	1
17	352040-3	GEN.END, HCI534D, SAE#1-14IN, WDG#311, 12-LEAD, PMG-MX321 STANDARD, UL RATED	1
18	410600-100	AC HARNESS DR600	1
19	411600-002	DC HARNESS	1
20	411600-004	24V LIGHTING HARNESS	1
21	411600-005	100 INCH LED LIGHT STRIP WITH HARNESS	2
22	57580-001	HHCS 1/2-13X2-1/2 GR5	16
23	636-000	LOCKWASHER 1/2 SPLIT	16
24	99826-602	CB BOX,400-1000A,3-POLE,600V,HCI534	1
25	99826-603	HCI534F GEN MOUNT, STANDARD	1

Base Assembly



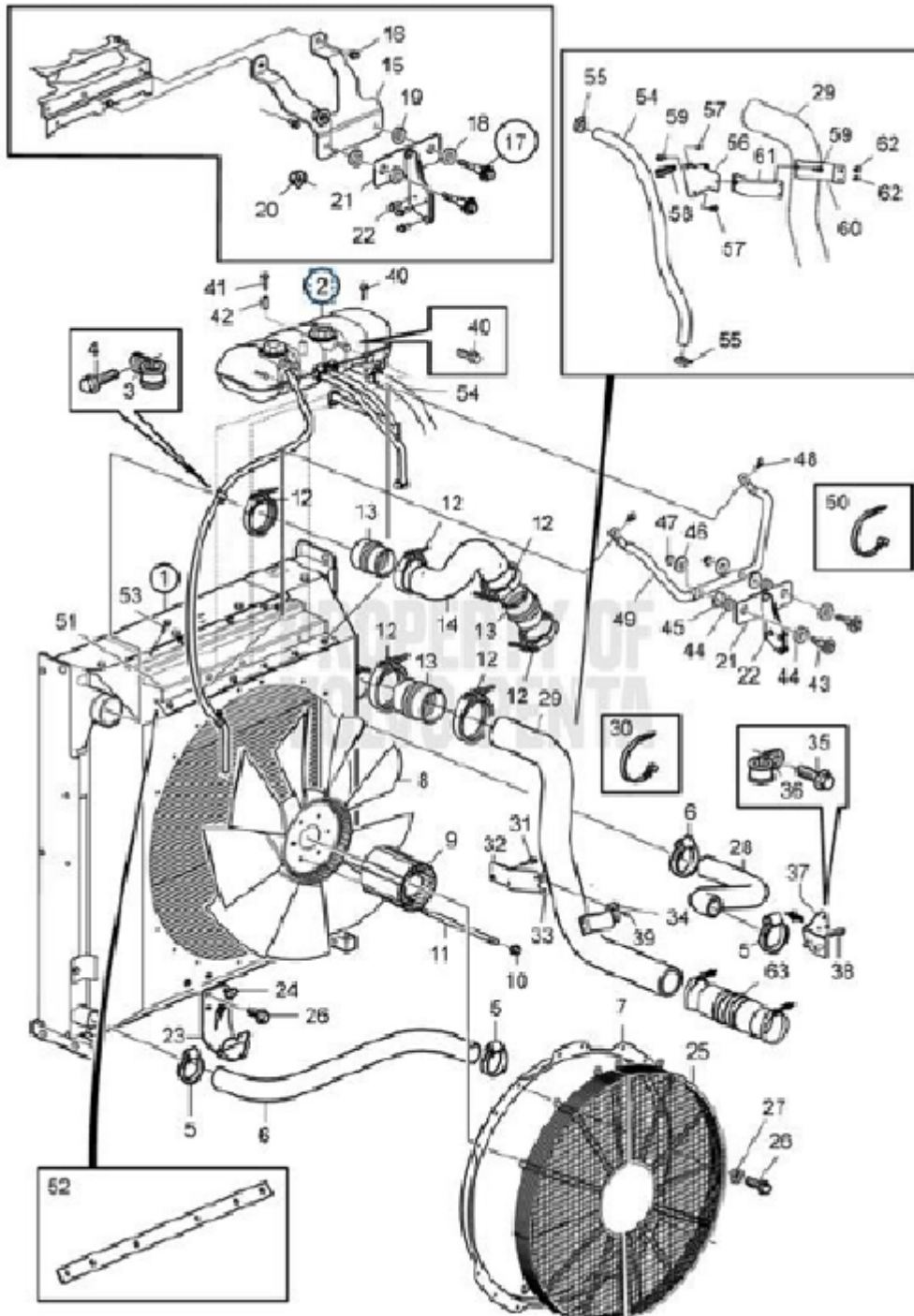
ITEM NO.	PART NUMBER	DESCRIPTION	QTY.
1	1000-0001	DR600 BASE WELDMENT	1
2	350944-3	SHOCKMOUNT DUROMETER 60	4
3	98987-001	SHOCKMOUNT T050LB .625 HEAVY NUT (NO STAMP)	2
4	1000-0018	FRONT RIGHT ENGINE MOUNT ASSY.	3
5	1000-0020	GEN END MOUNT ASSEMBLY	2
6	1000-0015	FRONT LEFT ENGINE MOUNT ASSY.	1
7	57580-000	HHCS 1/2-13 X 1.5 GR5	12
8	16248-001	.5-13 FLANGE NUT	12
9	93709-000	NUT HEX .75-10	4
10	516-000	FLAT WASHER 5/8 I.D. 1.31 O.D. STEEL ZINC	2
11	1178-000	FLAT WSH .760 X 1.375 X .0897	8
12	93710-000	ID.77 OD1.25 TH.20 LOCK	8
13	93711-000	.75-10X2 HHB	4
14	352126-2	RIVIT NUT 5/16-18 .150-.312	8
15	3577-000	5/8 LOCKWASHER SPLIT	2
16	91083-001	HHCS 5/8-11 X 1.5 GR5	2
17	93711-004	.75-10X2.5	4
18	16250-001	.75 -10 FLANGE NUT	4
19	448-000	5/8-11, Heavy Hex Nut GR5	2

Engine (350001-110S & 350001-109S)



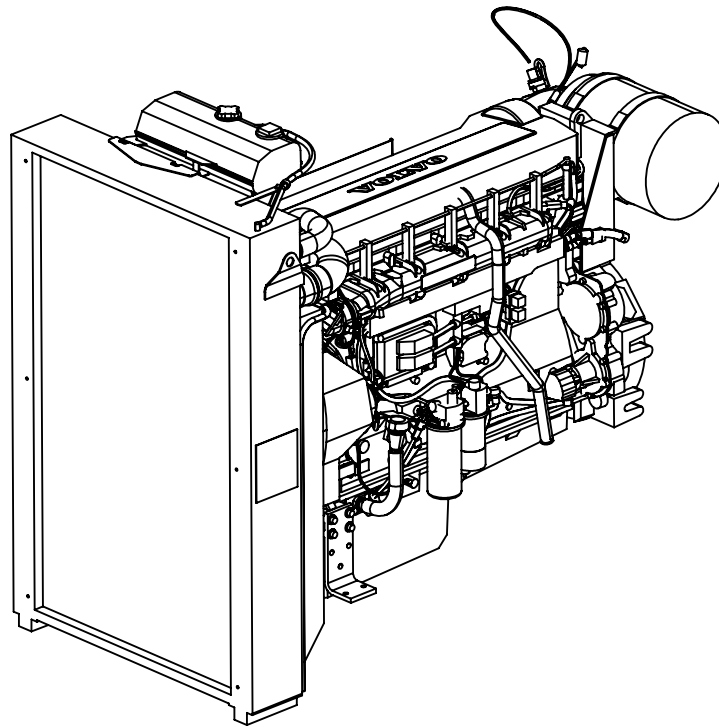
ITEM NO.	PART NUMBER	DESCRIPTION	QTY.
1	15-125	AIR FILTER	1
2	15-100	OIL FILTER	2
3	15-101	BY-PASS OIL FILTER	1
4	15-103	FUEL FILTER, SPIN-ON	1
5	15-104	FUEL FILTER, SEDIMENT BOWL	1
ALL ITEMS LISTED IN THE ABOVE TABLE ARE INCLUDED WITH A 16200-048 MAINTENANCE KIT PURCHASE			
6	15-120	STARTER MOTOR	1
7	15-150	STARTER MOTOR GASKET	1
8	15-121	ALTERNATOR	1
9	15-134	ALTERNATOR BELT	1
10	15-133	FAN BELT	1
Contact Winco service for full engine parts support.			

Radiator Hoses (350001-110S & 350001-109S)



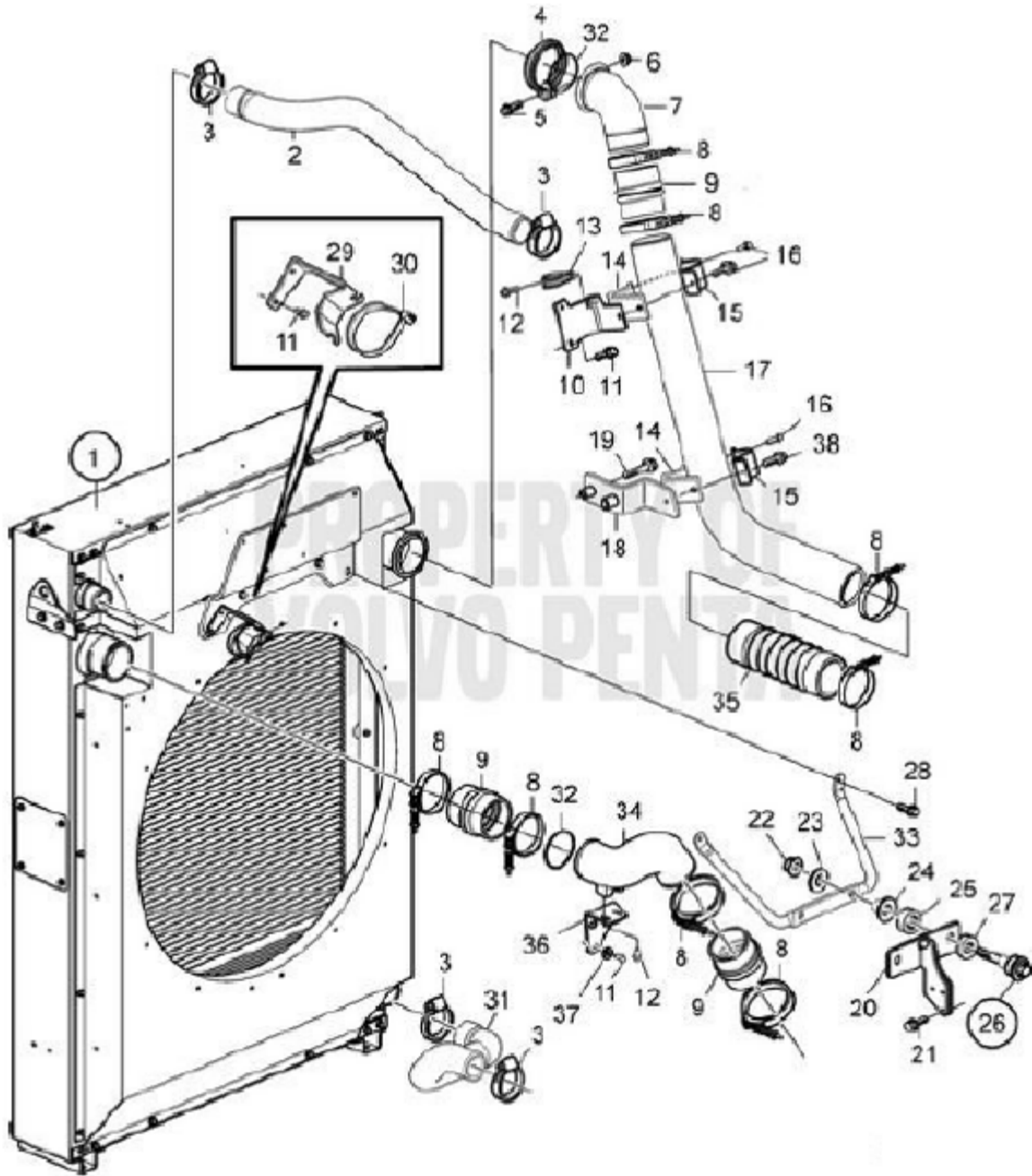
ITEM NO.	PART NUMBER	DESCRIPTION	QTY.
28	15-155	UPPER RADIATOR HOSE	1
6	15-154	LOWER RADIATOR HOSE	1
13	15-152	CHARGE AIR HOSE	3
63	15-151	CHARGE AIR HOSE	1

Engine (350001-111S)



ITEM NO.	PART NUMBER	DESCRIPTION	QTY.
1	15-115	AIR FILTER	1
2	15-117	OIL FILTER	1
3	15-117	OIL FILTER	1
4	15-103	FUEL FILTER, SPIN-ON	1
5	15-104	FUEL FILTER, SEDIMENT BOWL	1
ALL ITEMS LISTED IN THE ABOVE TABLE ARE INCLUDED WITH A 16200-037 MAINTENANCE KIT PURCHASE			
6	15-120	STARTER MOTOR	1
7	15-150	STARTER MOTOR GASKET	1
8	15-121	ALTERNATOR	1
9	15-134	ALTERNATOR BELT	1
10	15-149	FAN BELT	1
Contact Winco service for full engine parts support.			

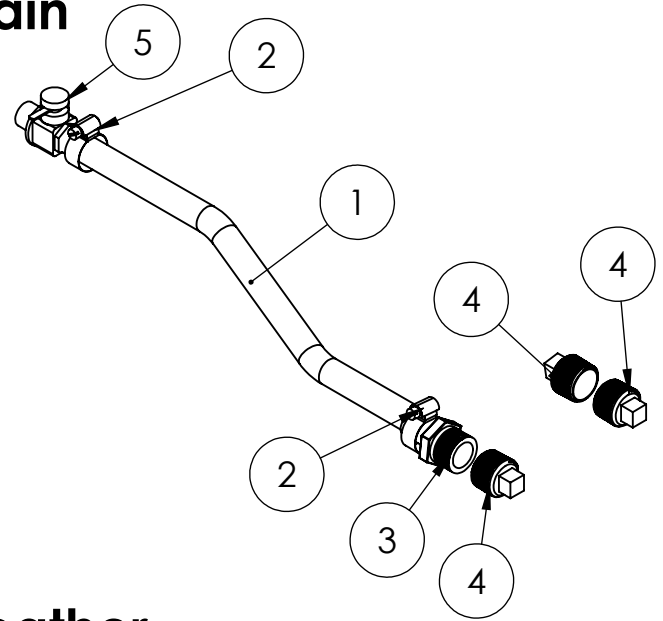
Radiator Hoses (350001-111S)



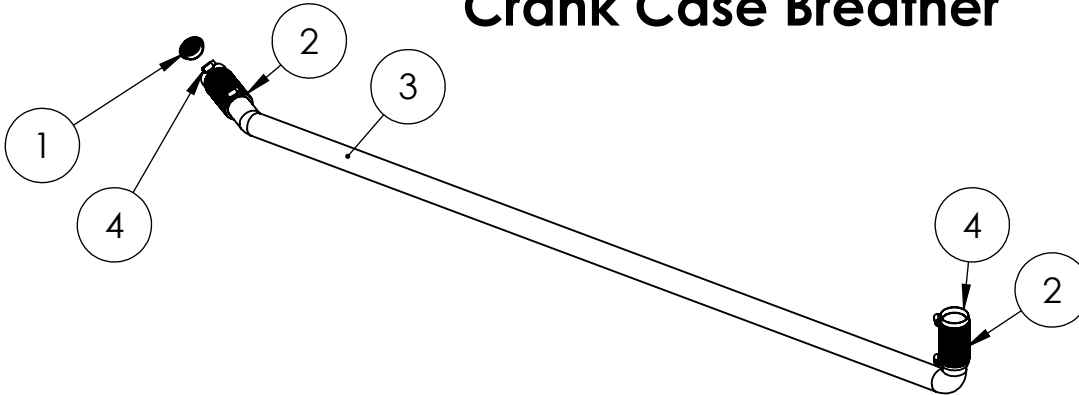
ITEM NO.	PART NUMBER	DESCRIPTION	QTY.
2	15-136	UPPER RADIATOR HOSE	1
31	15-137	LOWER RADIATOR HOSE	1
9	15-152	CHARGE AIR HOSE	3
35	15-151	CHARGE AIR HOSE	1

Radiator Drain

ITEM NO.	PART NUMBER	DESCRIPTION	QTY.
1	93689-001	HOSE 0.625IN ID RUBBER, 16 IN	1
2	81018-005	HOSE CLAMP 1.0625-.500	2
3	72302-008	HOSE FITTING 0.75"NPT X 0.625" HOSE BARB	1
4	93564-000	PIPE PLUG 3/4 SQUARE HEAD	3
5	98906-014	OIL DRAIN VALVE M22-1.5 X 5/8 NIPPLE	1



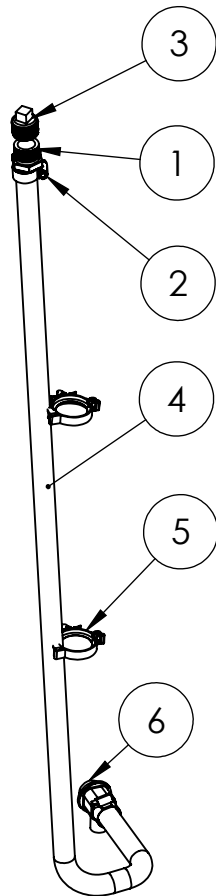
Crank Case Breather



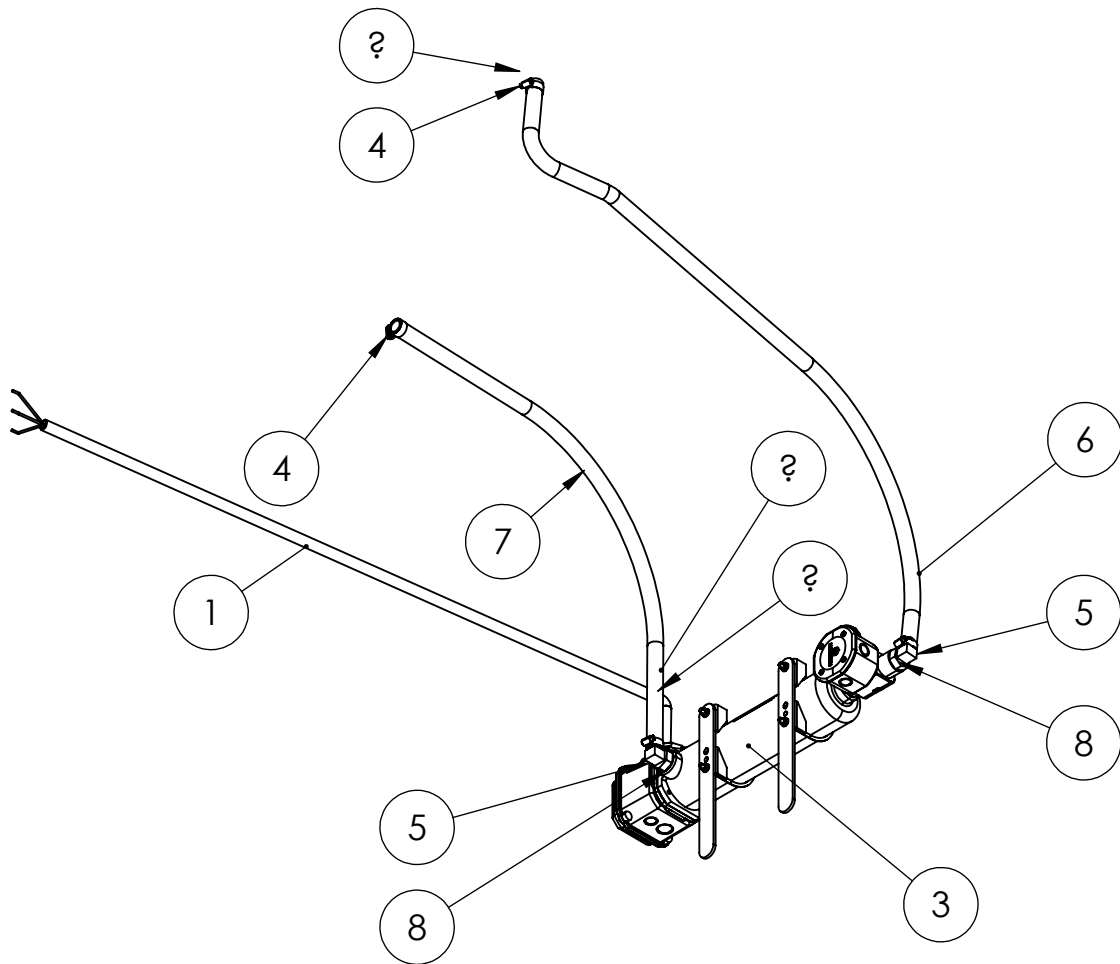
ITEM NO.	PART NUMBER	DESCRIPTION	QTY.
1	1000-0409	RODENT-INSECT COVER 1" NPT, SS, 1.4"DIA	1
2	352104-43	1.5 INCH ID, 3.0 INCH LONG SILICONE COUPLER	2
3	407600-004	PRESSURE RELIEF PIPE	1
4	81018-001	HOSE CLAMP 2.25-1.25	4

Oil Drain

ITEM NO.	PART NUMBER	DESCRIPTION	QTY.
1	72302-008	HOSE FITTING 0.75"NPT X 0.625" HOSE BARB	1
2	81018-005	HOSE CLAMP 1.0625-.500	2
3	93564-000	PIPE PLUG 3/4 SQUARE HEAD	1
4	93689-001	(OIL DRAIN HOSE - DR600)	1
5	96116-001	ROSEBUD CLIP 1.00	2
6	98906-017	OIL DRAIN VALVE M24-1.5	1



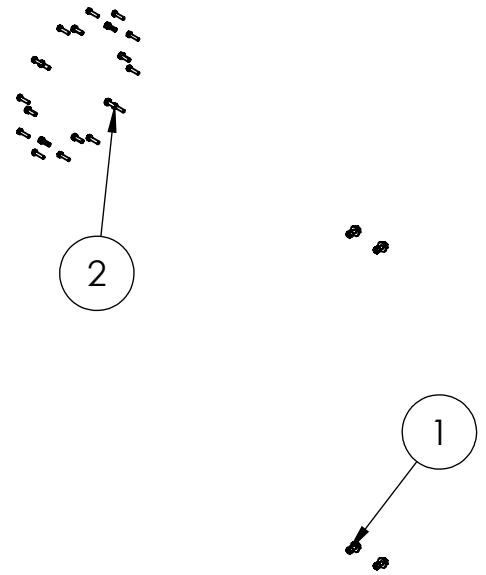
Water Heater Assembly



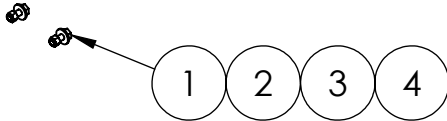
ITEM NO.	PART NUMBER	DESCRIPTION	QTY.
1	1000-0393	HARNESS H2O CL-SERIES VOLVO DR FAMILY	1
2	49975-011	CABLE TIE 7IN, BLACK, 50# PULL	3
3	80781-020	HEATER, BLOCK	1
4	81018-005	HOSE CLAMP 1.0625-.500	4
5	92382-002	HOSE FIT.ELBOW .500NPT X .75 HOSE	2
6	93689-000	HOSE, 0.75 ID, 56 IN. LONG	1
7	93689-000	HOSE, 0.75 ID, 40 IN. LONG	1
8	93726-000	HEX REDUCER BUSHING 1X1/2 BRASS	2

Hardware Kit

ITEM NO.	PART NUMBER	DESCRIPTION	QTY.
1	1000-0413	(RADIATOR MTG HARDWARE KIT - DR-VOLVO)	1
2	1000-0414	(COUPLING HARDWARE KIT - DR-VOLVO)	1



Radiator mounting Hardware

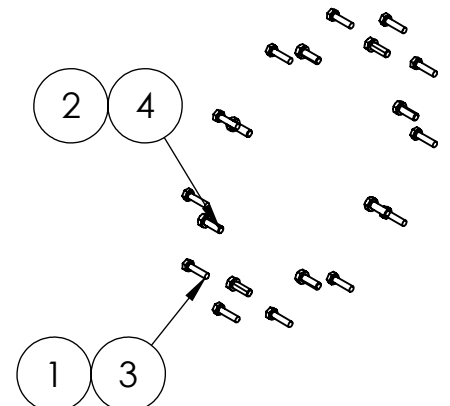


ITEM NO.	PART NUMBER	DESCRIPTION	QTY.
1	57580-000	HHCS 1/2-13 X 1.5 GR5	4
2	636-000	LOCKWASHER 1/2 SPLIT	4
3	92242-000	NUT HEX .500-13 NYLOCK	4
4	21867-002	WASHER .5 X 1.375 X .146	4

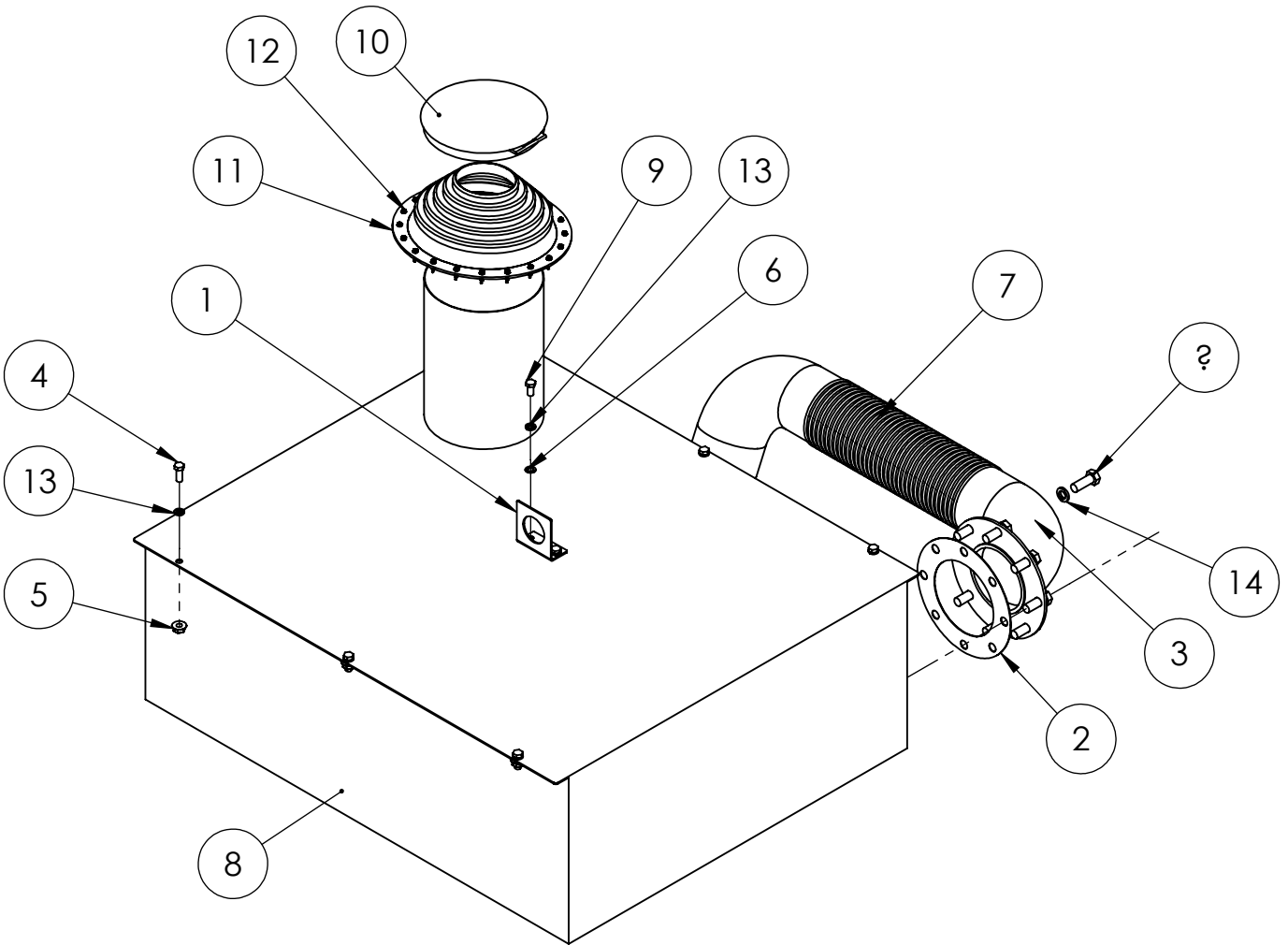


Coupling Hardware

ITEM NO.	PART NUMBER	DESCRIPTION	QTY.
1	97436-010	M10 LOCKWASHER	12
2	93341-012	LOCKWASHER M12 ZINC	8
3	96003-040	HHCS M10-1.5X 40MM BLACK	12
4	94270-035	HHCS M12-1.75X35MM	8



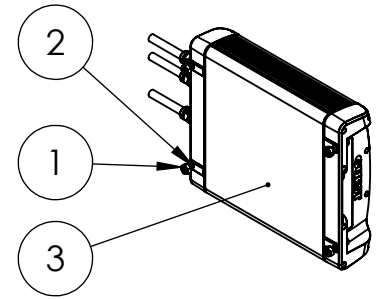
Exhaust System



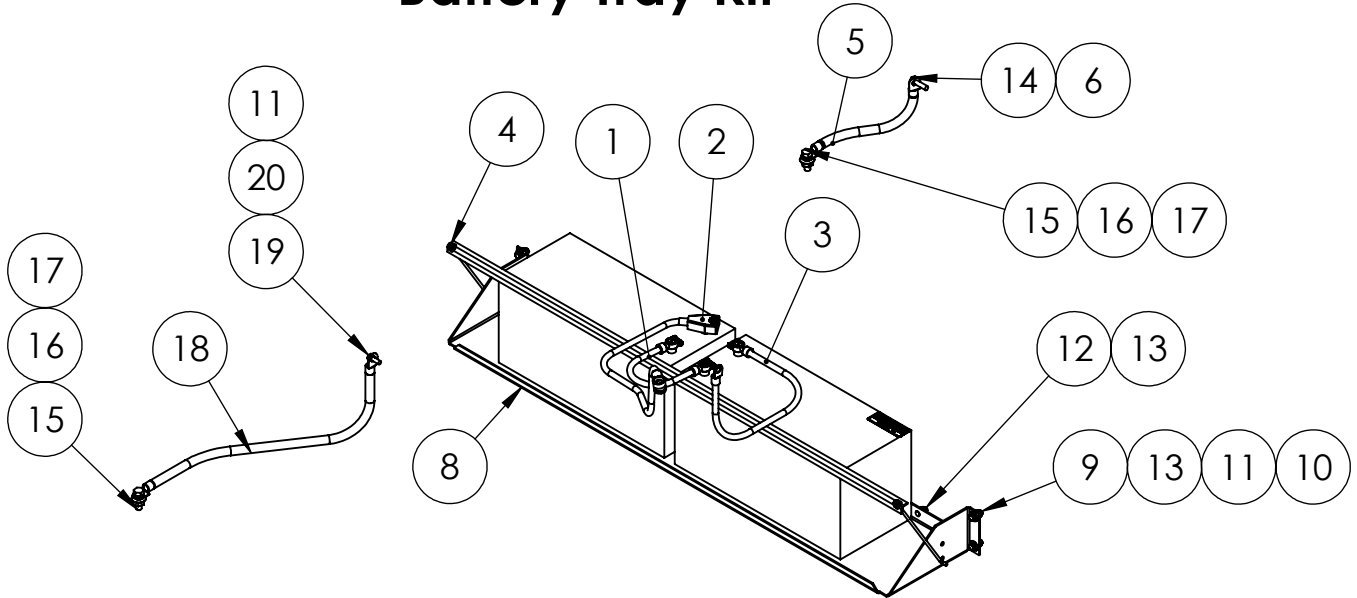
ITEM NO.	PART NUMBER	DESCRIPTION	QTY.
1	1000-0189	LIFTING EYE, DR600 SILENCER	1
2	1000-0241	DR600 EXHAUST FLANGE GASKET	1
3	1178-000	FLAT WSH .760 X 1.375 X .0897	8
4	1516-000	.5-13X1.25 HHB	6
5	16248-001	.5-13 FLANGE NUT	6
6	21867-001	FLAT WASHER .51 X .88 X .05	2
7	407500-001	DR500 EXHAUST PIPE	1
8	407600-002	DR600 BELMAR SILENCER	1
9	48178-000	HHCS 1/2-13 X 1	2
10	53111-019	10" EXHAUST RAIN SHIELD	1
11	53112-000	SILICONE EXHAUST BOOT 6IN - 11IN	1
12	53647-001	SELF DRILLING SCREW #12-14 X 1 SS	20
13	636-000	LOCKWASHER 1/2 SPLIT	8
14	93710-000	ID.77 OD1.25 TH.20 LOCK	8
15	93711-000	.75-10X2 HHB	8

Battery Charger Kit

ITEM NO.	PART NUMBER	DESCRIPTION	QTY.
1	5315-000	NUT HEX 10-24 NYLON	4
2	64872-001	SOC.HCS 10-24 X 1 BLK	4
3	72036-024	BATTERY CHARGER, 120VAC/24VDC, 8.0 AMP, GUEST MODEL 2707A	1

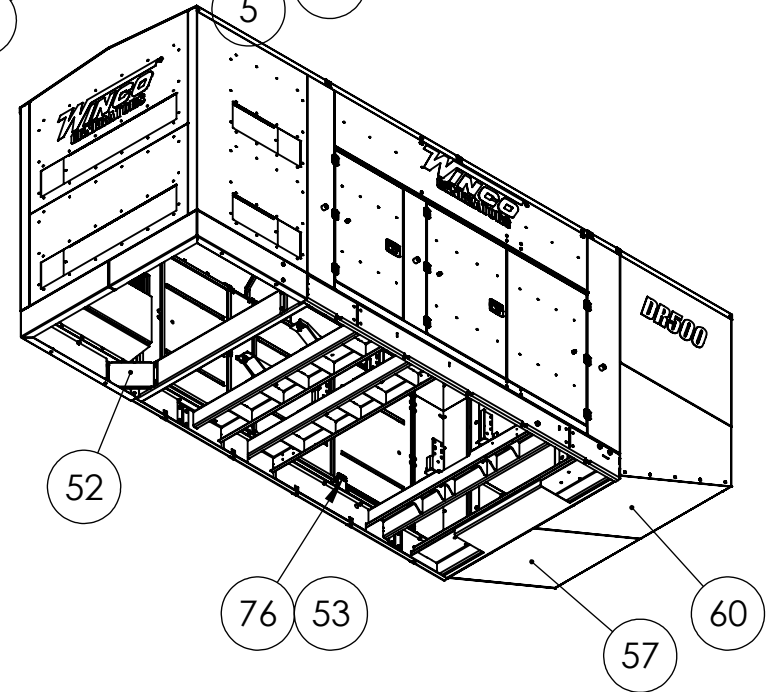
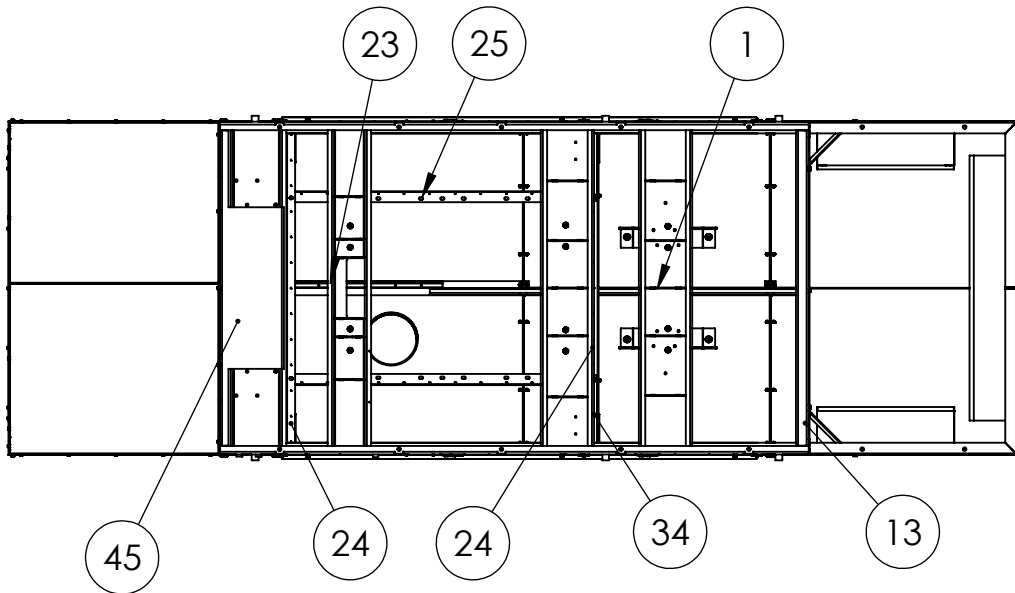
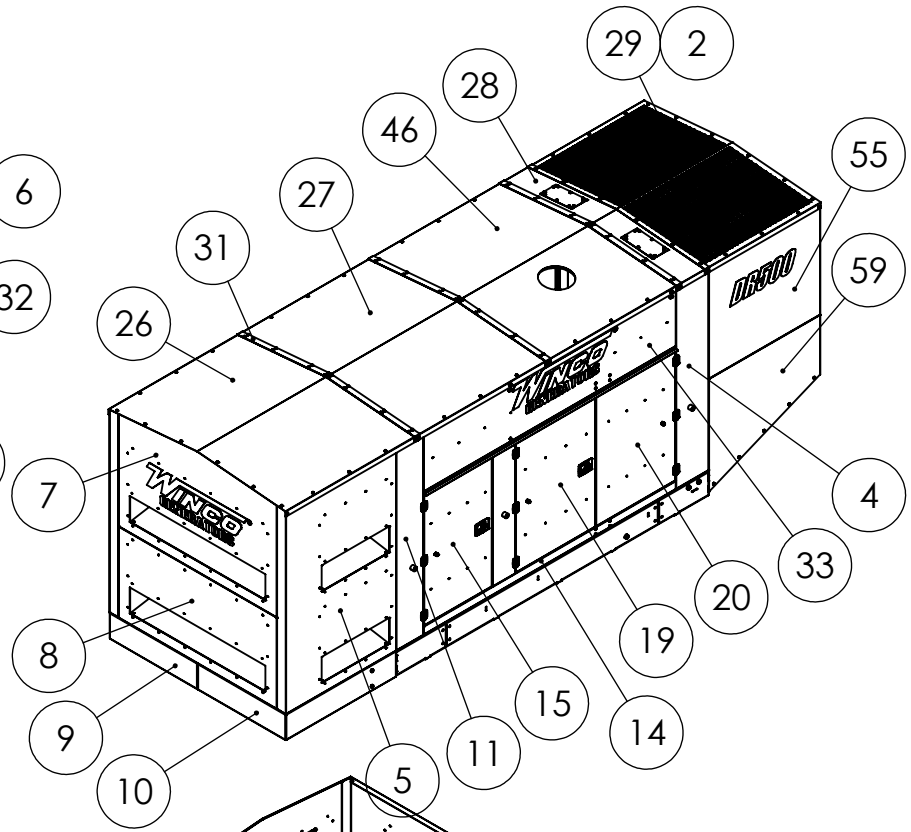
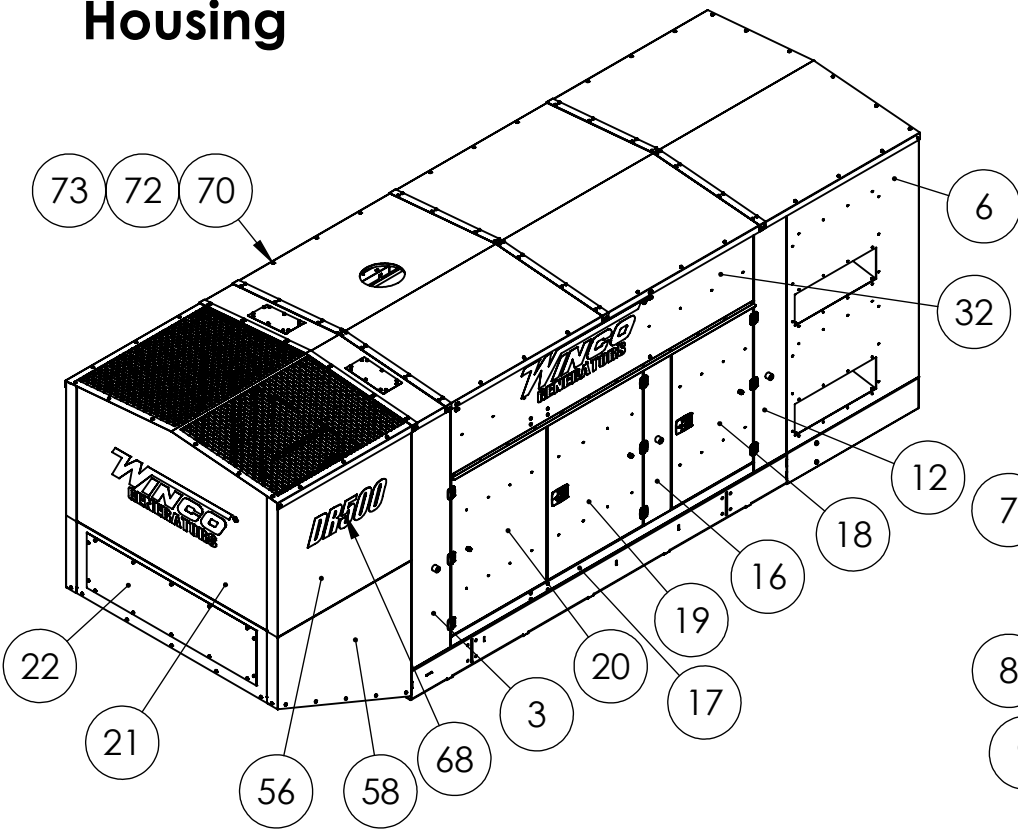


Battery Tray Kit



ITEM NO.	PART NUMBER	DESCRIPTION	QTY.
1	96580-001	BAT. CABLE ASSY 2/0 12"	1
2	96580-005	BATTERY CABLE 2/0 36"	1
3	96580-002	BATTERY CABLE 2/0 36"	1
4	1000-0281	BATTERY HOLD DOWN KIT	1
5	81584-000	LEAD WIRE ASSEMBLY	1
6	97436-010	M10 LOCKWASHER	1
7	63941-003	DECAL-WARNING NO SPARK	1
8	1000-0279	BATTERY TRAY	1
9	1116-000	HHCS .3125-18X1	4
10	480-000	5/16 SPLIT LOCKWASHER	4
11	526-000	5/16 FLAT WASHER	5
12	94304-001	THREAD STUD .3125-18X1	4
13	16249-000	.3125-18 FLANGE	8
14	94282-035	M10-1.5X35MM	1
15	57580-000	.5-13X1.5 HHB	2
16	636-000	LOCKWASHER 1/2 SPLIT	2
17	16248-001	.5-13 FLANGE NUT	2
18	81584-001	LEAD WIRE ASSEMBLY	1
19	96002-025	M8-1.25X25MM	1
20	97436-008	LOCKWASHER M8	1

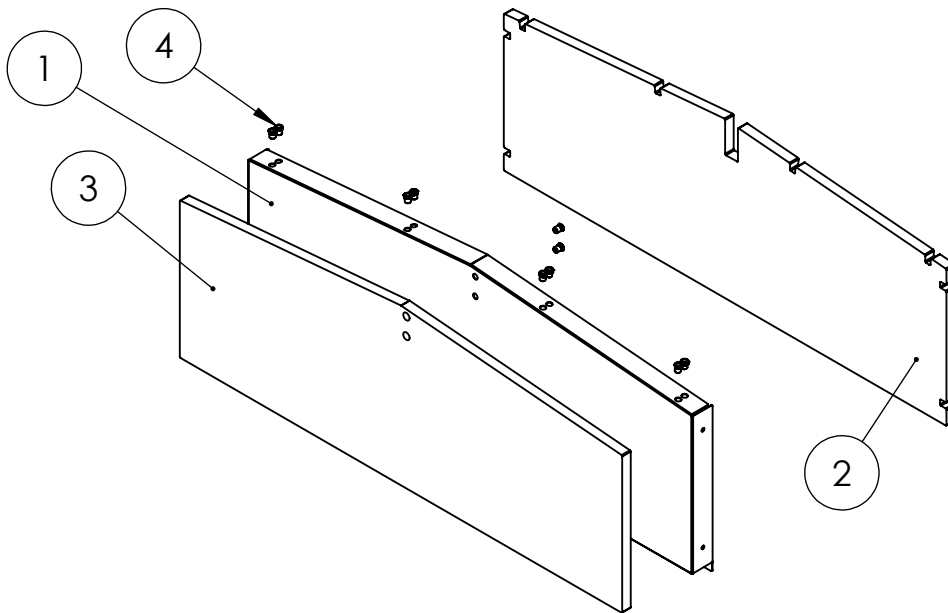
Housing



Housing Continued

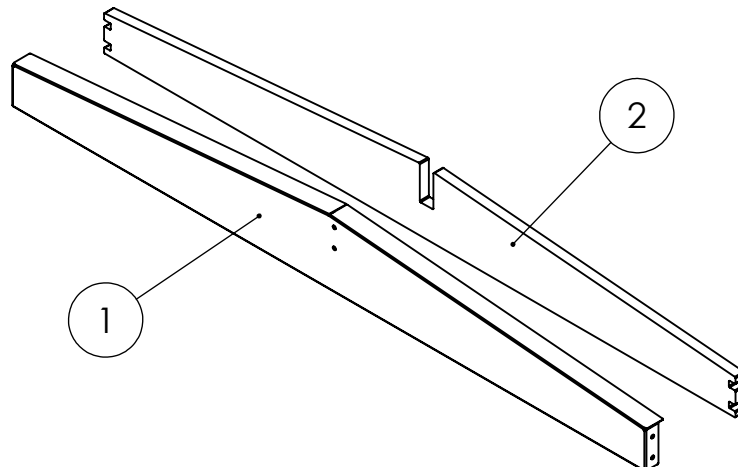
ITEM NO.	PART NUMBER	DESCRIPTION	QTY.
1	1000-0037	CENTER ROOF RAIL	1
2	1000-0039	FRONT RADIATOR OVERHEAD PANEL ASSEMBLY	1
3	1000-0041	LEFT FRONT CORNER PANEL ASSEMBLY	1
4	1000-0042	RIGHT FRONT CORNER PANEL ASSEMBLY	1
5	1000-0051	RIGHT REAR SIDE PANEL ASSEMBLY	1
6	1000-0054	LEFT REAR SIDE PANEL ASSEMBLY	1
7	1000-0059	TOP REAR PANEL ASSEMBLY	1
8	1000-0061	BOTTOM REAR PANEL ASSEMBLY	1
9	1000-0062	LEFT REAR HOUSING L-FRAME	1
10	1000-0063	RIGHT REAR HOUSING L-FRAME	1
11	1000-0064	RIGHT REAR CORNER PANEL	1
12	1000-0065	LEFT REAR CORNER PANEL	1
13	1000-0066	REAR HOUSING RAFTER	1
14	1000-0073	BOTTOM SILL, RIGHT SIDE	1
15	1000-0074	LEFT HAND CIRCUIT BREAKER DOOR	1
16	1000-0075	DOOR MULLION	2
17	1000-0081	BOTTOM SILL, LEFT SIDE	1
18	1000-0082	RIGHT HAND CIRCUIT BREAKER DOOR	1
19	1000-0084	RIGHT HAND DOOR, DUTCH	2
20	1000-0085	LEFT HAND DOOR, NO HANDLE, DUTCH	2
21	1000-0088	TOP FRONT SNORKEL PANEL	1
22	1000-0089	FRONT BOTTOM SNORKEL PANEL	1
23	1000-0091	REAR CENTER ROOF RAIL	1
24	1000-0092	SILENCER RAFTER	2
25	1000-0093	SILENCER STRINGER	2
26	1000-0094	REAR ROOF PANEL ASSEMBLY	1
27	1000-0095	CENTER ROOF PANEL ASSEMBLY	1
28	1000-0097	RADIATOR ROOF PANEL	1
29	1000-0098	FRONT ROOF PANEL	1
30	1000-0099	FRONT ROOF STRAP	1
31	1000-0100	ROOF STRAP	3
32	1000-0254	LEFT SIDE SILL PANEL	1
33	1000-0259	RIGHT SIDE SILL PANEL	1
34	1000-0270	SIDE SILL STRUT	2
35	1000-0282	FRONT RIGHT FRAME RAIL FOAM	1
36	1000-0283	RIGHT FRAME RAIL FOAM	1
37	1000-0284	RIGHT FRAME RAIL FOAM	1
38	1000-0285	REAR RIGHT FRAME RAIL FOAM	1
39	1000-0286	REAR LEFT FRAME RAIL FOAM	1
40	1000-0287	LEFT FRAME RAIL FOAM	1
41	1000-0288	LEFT FRAME RAIL FOAM	1
42	1000-0289	FRONT LEFT FRAME RAIL FOAM	1
43	1000-0447	ROOF STRAP GASKET	3
44	1000-0448	FRONT ROOF STRAP GASKET	1
45	1000-0477	DR500 RADIATOR EXTENSION ASSEMBLY	1
46	1000-0485	SILENCER ROOF PANEL	1
47	1116-000	HHCS .3125-18X1	56
48	1516-000	.5-13X1.25 HHB	10
49	16249-000	.3125-18 FLANGE	144
50	16250-000	.375-16 FLANGE NUT	12
51	16446-000	M8-1.25 NYLOCK	33
52	2000-0319	DR400-600 REAR HOUSING STIFFENER	2
53	2000-0320	LIFT AND TURN MOUNTING BRACKET LOWER	2
54	2000-0323	LIFT AND TURN MOUNTING BRACKET UPPER	2
55	2000-0349	UPPER RIGHT SIDE SNORKEL ASSEMBLY	1
56	2000-0350	UPPER LEFT SIDE SNORKEL ASSEMBLY	1
57	2000-0351	LOWER LEFT SNORKEL ASSEMBLY	1
58	2000-0356	LOWER LEFT SIDE SNORKEL ASSEMBLY	1
59	2000-0357	LOWER RIGHT FRONT SIDE ASSEMBLY	1
60	2000-0358	LOWER RIGHT SNORKEL ASSEMBLY	1
61	20604-000	3/8 WASHER	12
62	21867-001	FLAT WASHER .51 X .88 X .05	14
63	465-000	.3125-18x.875 HHB	38
64	467-000	HHCS 5/16-18X.75	76
65	480-000	LOCK .3125 SPLIT	58
66	526-000	5/16 FLAT WASHER	159
67	580-000	5/16-18X1.25	3
68	64214-056	DECAL - DR500, BLACK	2
69	65001-001	SS HHCS 5/16-18 X .75	16
70	65001-002	.3125-18X1 HHB SS	157
71	65002-004	HHCS 0.5-13-1.25	4
72	65003-001	LOCKWASHER 5/16 SPLIT SS	157
73	65005-001	5/16 WASHER SS	187
74	91658-001	HHCS 3/8-16X1	12
75	92242-000	NUT HEX .500-13 NYLOCK	14
76	95229-013	LIFT AND TURN LATCH	4

Front Rad. Overhead Panel Assembly



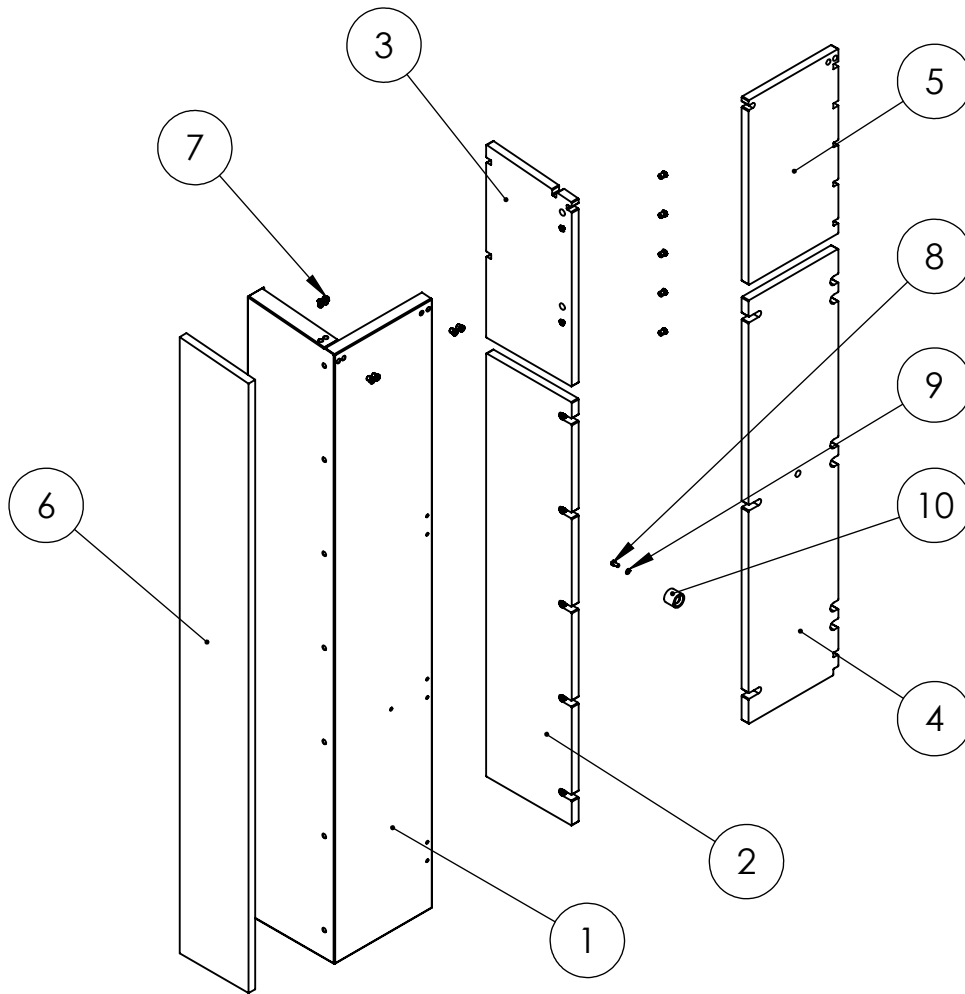
ITEM NO.	PART NUMBER	DESCRIPTION	QTY.
1	1000-0039	FRONT RADIATOR OVERHEAD PANEL	1
2	1000-0165	FRONT RAFTER PANEL FOAM	1
3	1000-0292	OVERHEAD PANEL SNORKEL SIDE FOAM	1
4	352126-1	RIVET NUT 5/16-18 .027-.150	10

Rear Housing Rafter



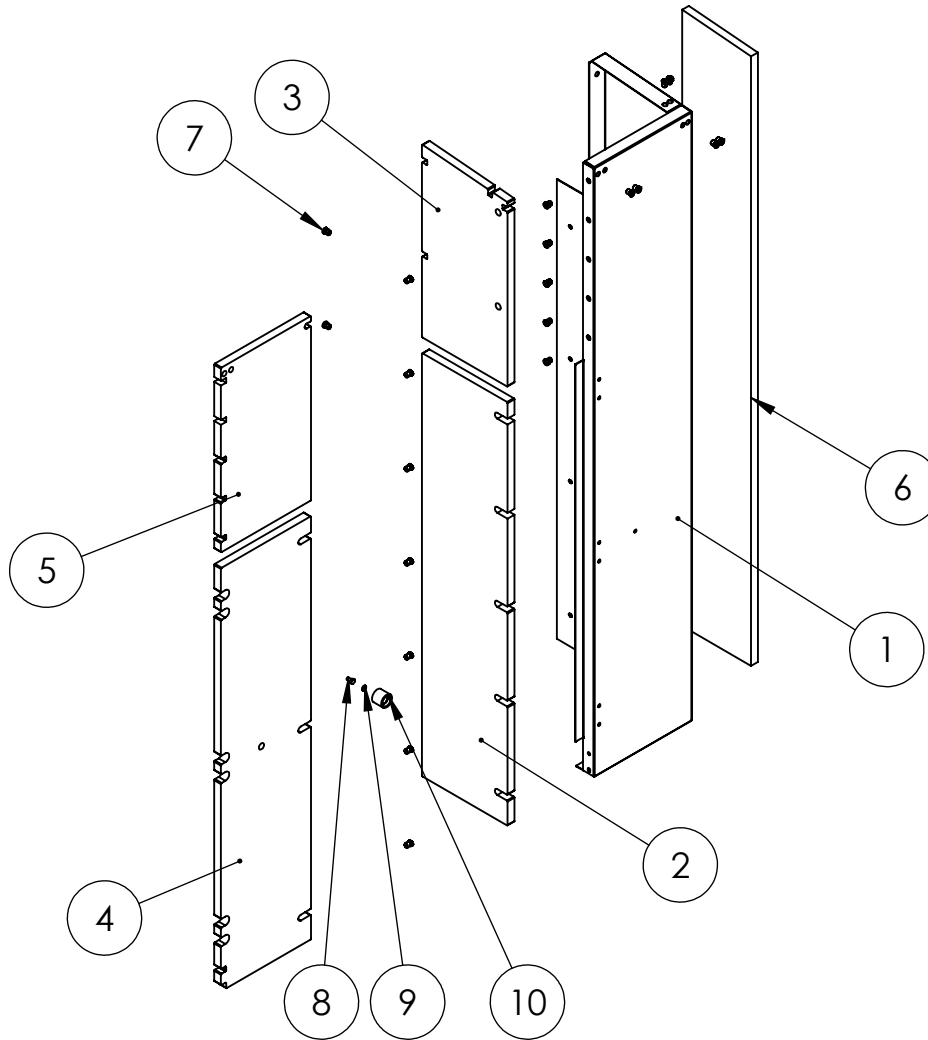
ITEM NO.	PART NUMBER	DESCRIPTION	QTY.
1	1000-0066	REAR HOUSING RAFTER	1
2	1000-0176	REAR HOUSING RAFTER FOAM	1

Left Front Corner Panel Assembly



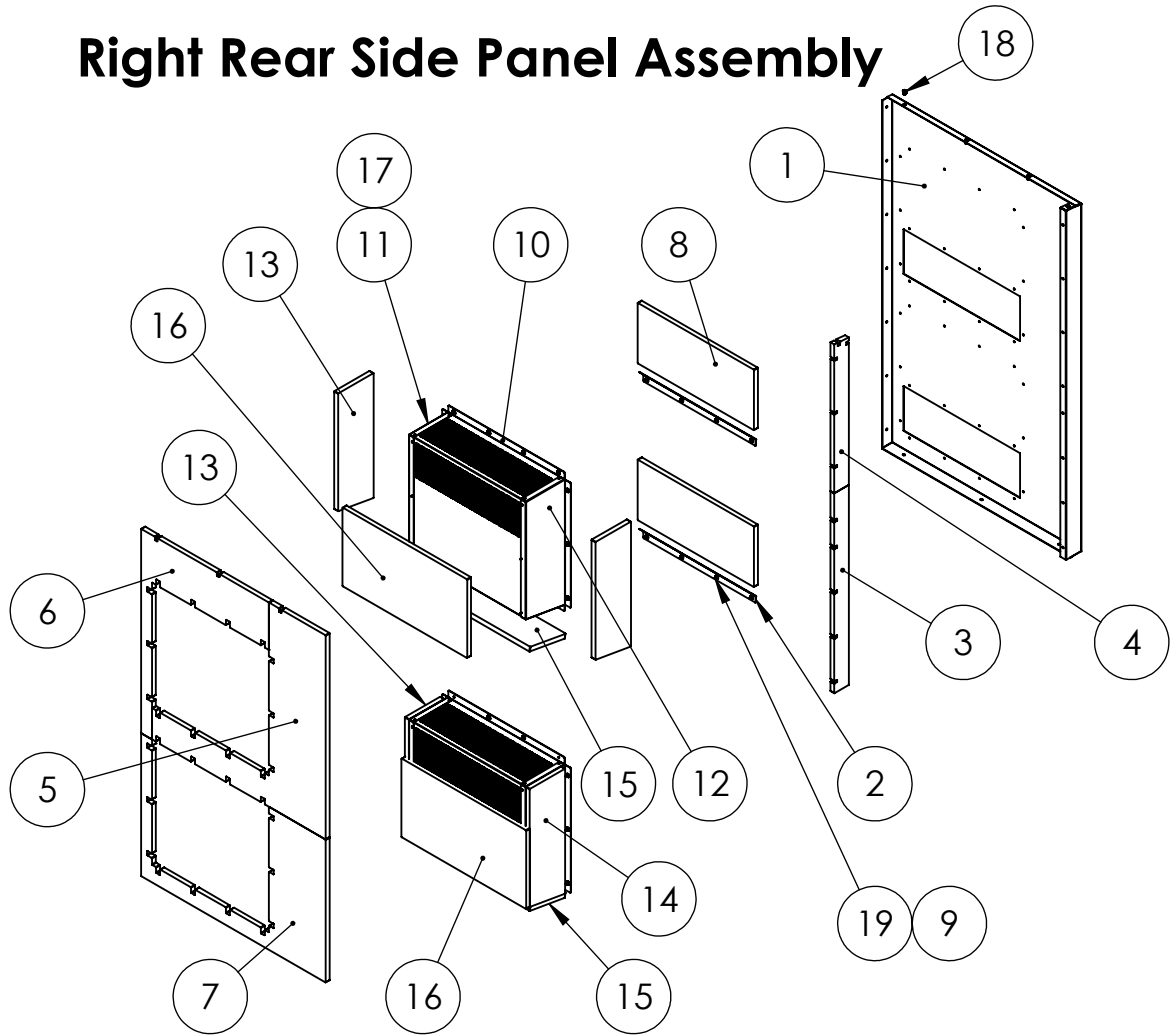
ITEM NO.	PART NUMBER	DESCRIPTION	QTY.
1	1000-0041	LEFT FRONT CORNER PANEL	1
2	1000-0161	FRONT LEFT CORNER PANEL, BOTTOM FOAM	1
3	1000-0162	FRONT LEFT CORNER PANEL, TOP FOAM	1
4	1000-0163	FRONT LEFT CORNER PANEL, BOTTOM FOAM	1
5	1000-0164	FRONT LEFT CORNER PANEL, TOP FOAM	1
6	1000-0291	FRONT LEFT CORNER SNORKEL SIDE FOAM	1
7	352126-1	RIVET NUT 5/16-18 .027-.150	20
8	57493-016	M8-1.25X16MM ZINC	1
9	93341-008	LOCKWASHER M8	1
10	95232-000	DOOR HOLDER FEMALE	1

Right Front Corner Panel Assembly



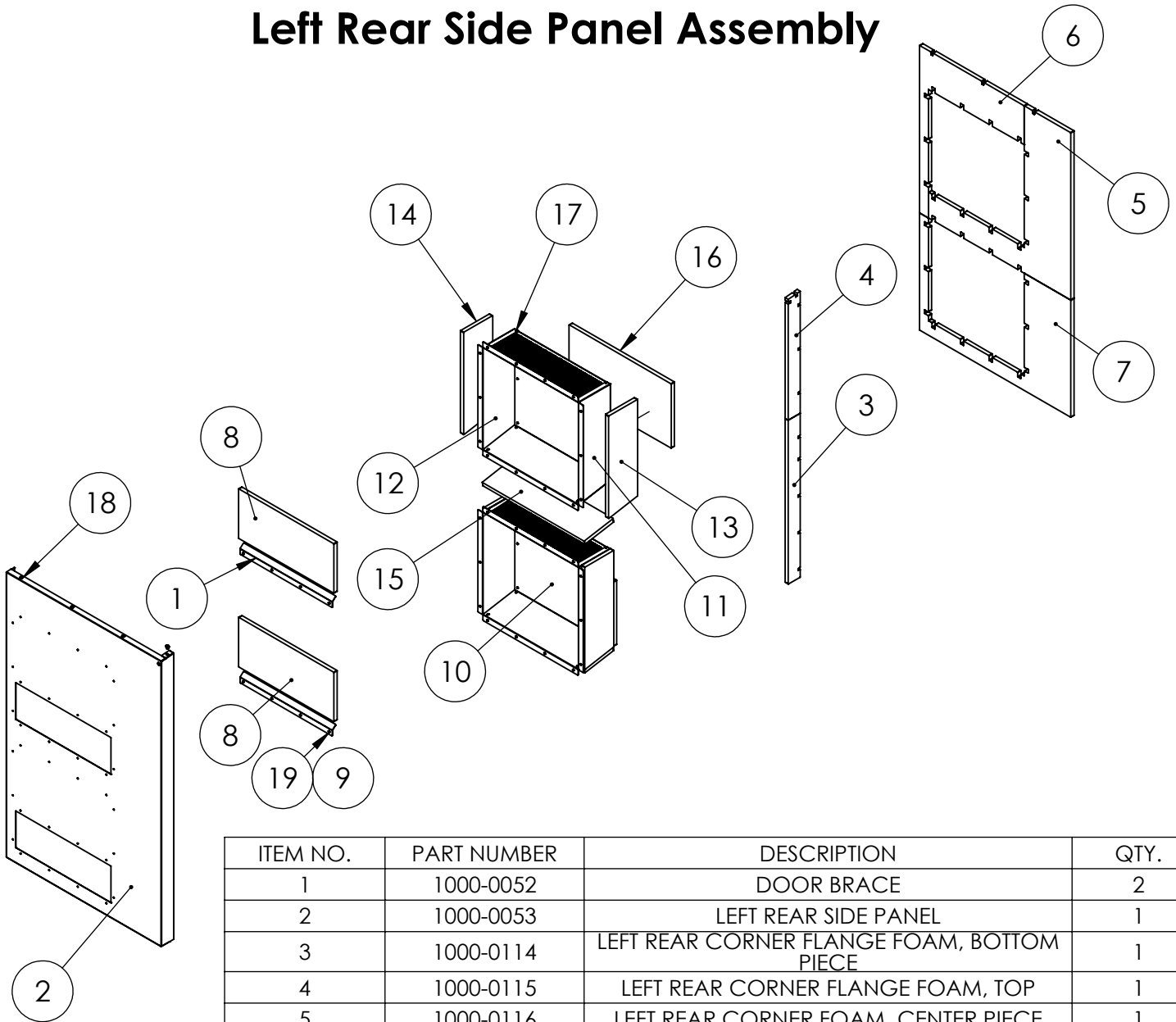
ITEM NO.	PART NUMBER	DESCRIPTION	QTY.
1	1000-0042	RIGHT FRONT CORNER PANEL	1
2	1000-0157	FRONT RIGHT CORNER PANEL, BOTTOM FOAM	1
3	1000-0158	FRONT RIGHT CORNER PANEL, TOP FOAM	1
4	1000-0159	FRONT RIGHT CORNER PANEL, BOTTOM FOAM	1
5	1000-0160	FRONT RIGHT CORNER PANEL, TOP FOAM	1
6	1000-0290	FRONT RIGHT CORNER SNORKEL SIDE FOAM	1
7	352126-1	RIVET NUT 5/16-18 .027-.150	20
8	57493-016	M8-1.25X16MM ZINC	1
9	93341-008	LOCKWASHER M8	1
10	95232-000	DOOR HOLDER FEMALE	1

Right Rear Side Panel Assembly



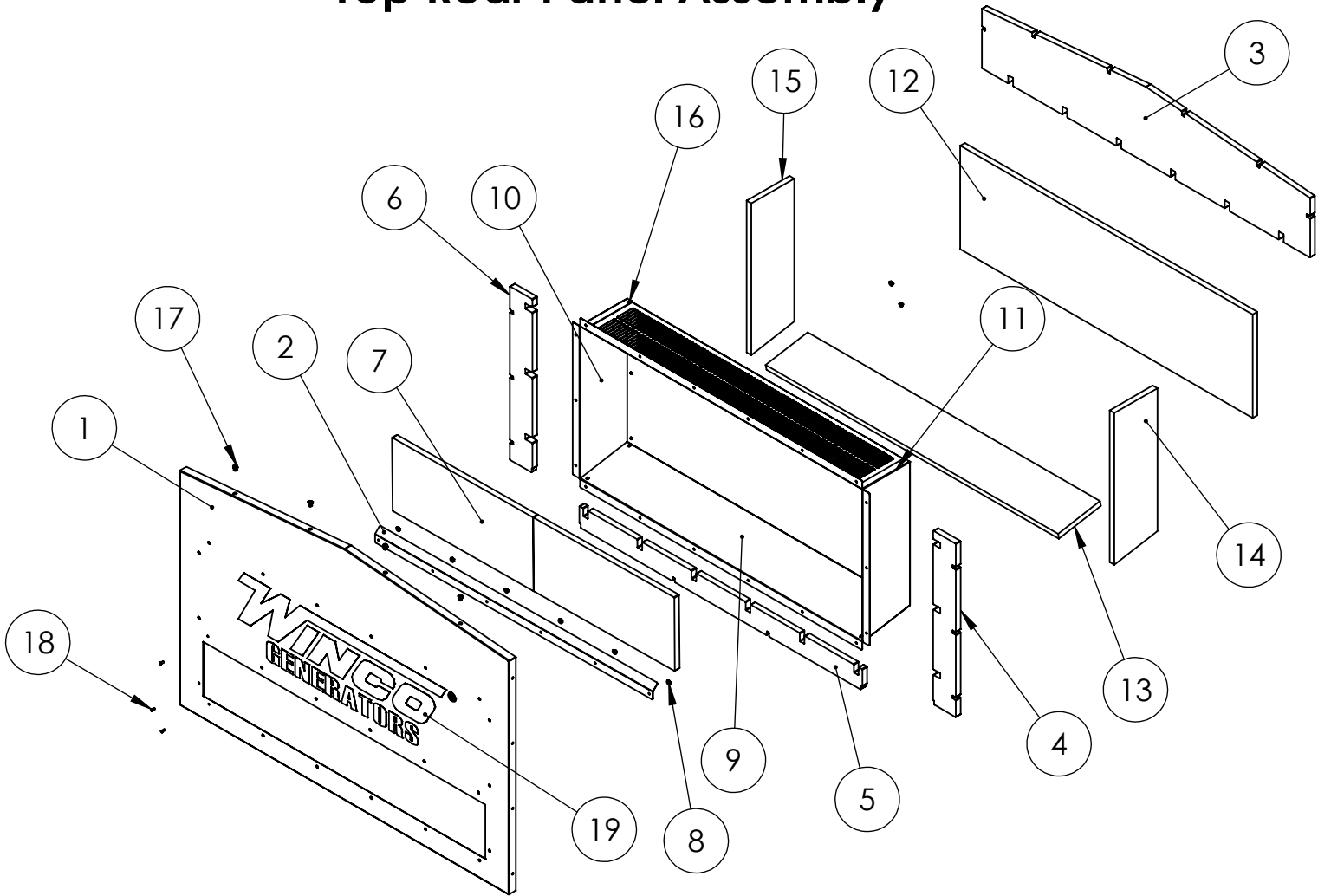
ITEM NO.	PART NUMBER	DESCRIPTION	QTY.
1	1000-0050	RIGHT REAR SIDE PANEL	1
2	1000-0052	DOOR BRACE	2
3	1000-0109	RIGHT REAR CORNER FLANGE FOAM, BOTTOM	1
4	1000-0110	RIGHT REAR CORNER FLANGE FOAM, TOP	1
5	1000-0111	RIGHT REAR CORNER FOAM, CENTER PIECE	1
6	1000-0112	RIGHT REAR CORNER FOAM, TOP PIECE	1
7	1000-0113	RIGHT REAR CORNER FOAM, BOTTOM PIECE	1
8	1000-0293	REAR SIDE BAFFLE INTERNAL FOAM	2
9	16248-000	.25-20 FLANGE NUT	36
10	2000-0325	REARSIDE BAFFLE PT1	2
11	2000-0326	REAR BAFFLE PT2	2
12	2000-0327	REAR BAFFLE PT3	2
13	2000-0328	BAFFLE FOAM LEFT SIDE	2
14	2000-0329	BAFFLE FOAM RIGHT SIDE	2
15	2000-0330	BAFFLE FOAM BOTTOM	2
16	2000-0331	BAFFLE FOAM CENTER	2
17	21698-001	TORX PAN HEAD SCREW #10	28
18	352126-1	RIVET NUT 5/16-18 .027-.150	5
19	94980-001	THREAD STUD .25-20X.625	36

Left Rear Side Panel Assembly



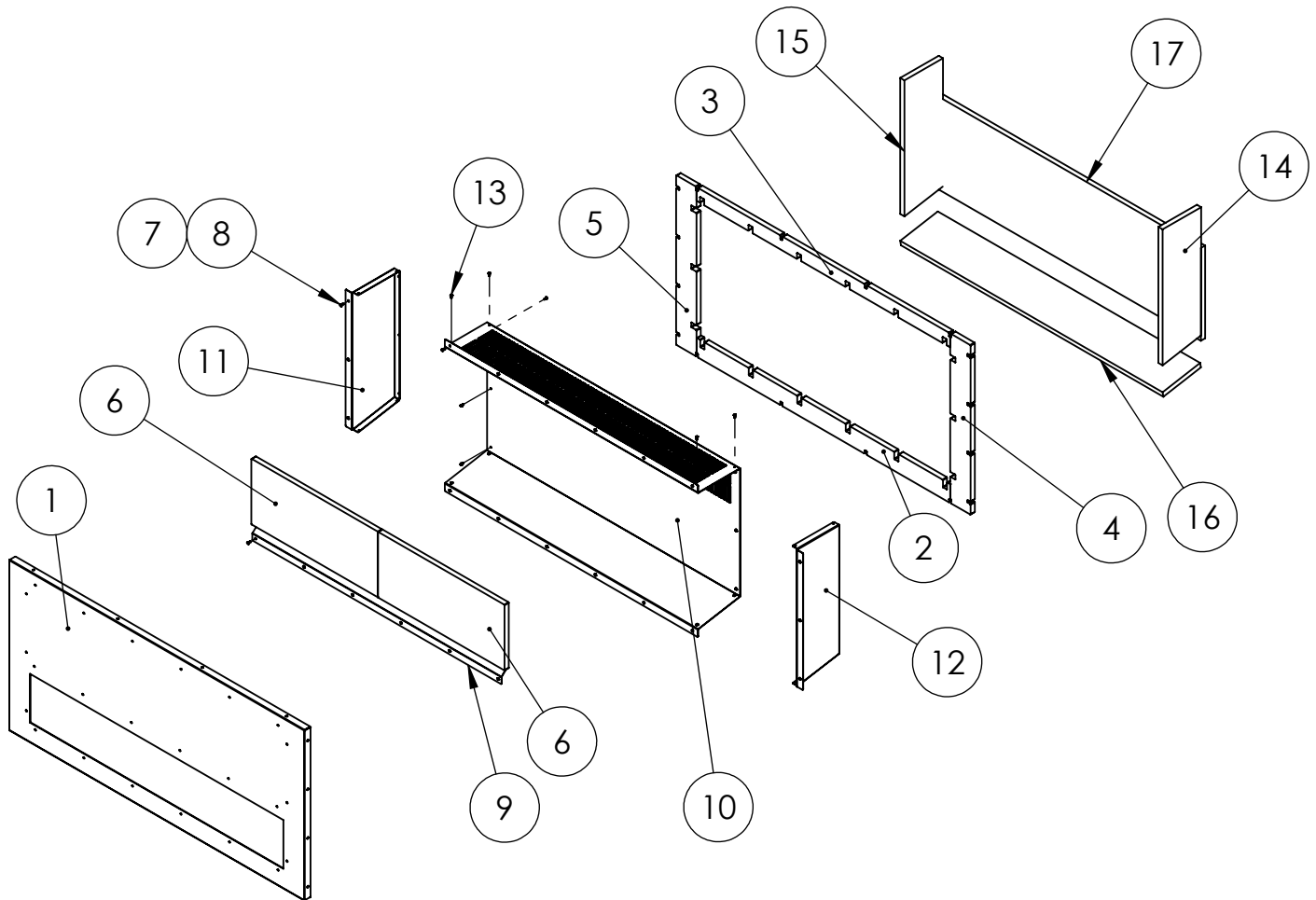
ITEM NO.	PART NUMBER	DESCRIPTION	QTY.
1	1000-0052	DOOR BRACE	2
2	1000-0053	LEFT REAR SIDE PANEL	1
3	1000-0114	LEFT REAR CORNER FLANGE FOAM, BOTTOM PIECE	1
4	1000-0115	LEFT REAR CORNER FLANGE FOAM, TOP	1
5	1000-0116	LEFT REAR CORNER FOAM, CENTER PIECE	1
6	1000-0117	LEFT REAR CORNER FOAM, TOP PIECE	1
7	1000-0118	LEFT REAR CORNER FOAM, BOTTOM PIECE	1
8	1000-0293	REAR SIDE BAFFLE INTERNAL FOAM	2
9	16248-000	.25-20 FLANGE NUT	36
10	2000-0325	REAR SIDE BAFFLE PT1	2
11	2000-0326	REAR BAFFLE PT2	2
12	2000-0327	REAR BAFFLE PT3	2
13	2000-0328	BAFFLE FOAM LEFT SIDE	2
14	2000-0329	BAFFLE FOAM RIGHT SIDE	2
15	2000-0330	BAFFLE FOAM BOTTOM	2
16	2000-0331	BAFFLE FOAM CENTER	2
17	21698-001	TORX PAN HEAD SCREW #10	28
18	352126-1	RIVET NUT 5/16-18 .027-.150	5
19	94980-001	THREAD STUD .25-20X.625	36

Top Rear Panel Assembly



ITEM NO.	PART NUMBER	DESCRIPTION	QTY.
1	1000-0055	TOP REAR PANEL	1
2	1000-0056	DOOR BRACE	1
3	1000-0102	TOP FOAM, TOP REAR PANEL	1
4	1000-0103	RIGHT SIDE FOAM, TOP REAR PANEL	1
5	1000-0104	BOTTOM FOAM, REAR PANELS	1
6	1000-0106	LEFT SIDE FOAM, TOP REAR PANEL	1
7	1000-0293	REAR SIDE BAFFLE INTERNAL FOAM	2
8	16248-000	.25-20 FLANGE NUT	24
9	2000-0332	WIDE BAFFLE CENTER	1
10	2000-0333	WIDE BAFFLE R SIDE	1
11	2000-0334	WIDE BAFFLE L SIDE	1
12	2000-0336	BAFFLE FOAM CENTER	1
13	2000-0337	BAFFLE FOAM BOTTOM	1
14	2000-0338	BAFFLE FOAM LEFT SIDE	1
15	2000-0339	BAFFLE FOAM RIGHT SIDE	1
16	21698-001	TORX PAN HEAD SCREW #10	14
17	352126-1	RIVET NUT 5/16-18 .027-.150	4
18	94980-001	THREAD STUD .25-20X.625	24
19	98313-003	WINCO LOGO	1

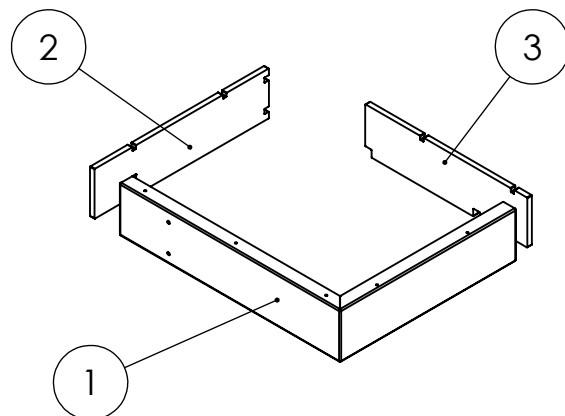
Bottom Rear Panel Assembly



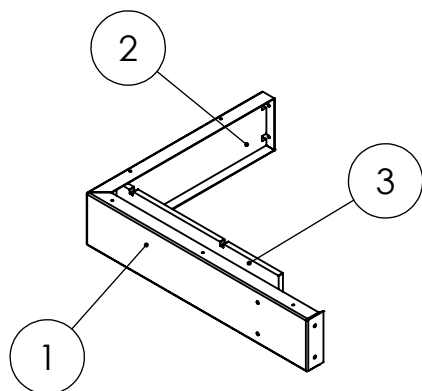
ITEM NO.	PART NUMBER	DESCRIPTION	QTY.
1	1000-0060	BOTTOM REAR PANEL	1
2	1000-0104	BOTTOM FOAM, REAR PANELS	1
3	1000-0105	TOP FOAM, BOTTOM REAR PANEL	1
4	1000-0107	RIGHT SIDE FOAM, BOTTOM REAR PANEL	1
5	1000-0108	LEFT SIDE FOAM, BOTTOM REAR PANEL	1
6	1000-0293	REAR SIDE BAFFLE INTERNAL FOAM	2
7	16248-000	.25-20 FLANGE NUT	24
8	94980-001	THREAD STUD .25-20X.625	24
9	1000-0056	DOOR BRACE	1
10	2000-0332	WIDE BAFFLE CENTER	1
11	2000-0333	WIDE BAFFLE R SIDE	1
12	2000-0334	WIDE BAFFLE L SIDE	1
13	21698-001	TORX PAN HEAD SCREW #10	14
14	2000-0338	BAFFLE FOAM LEFT SIDE	1
15	2000-0339	BAFFLE FOAM RIGHT SIDE	1
16	2000-0337	BAFFLE FOAM BOTTOM	1
17	2000-0336	BAFFLE FOAM CENTER	1

Left Rear Housing L- Frame

ITEM NO.	PART NUMBER	DESCRIPTION	QTY.
1	1000-0062	LEFT REAR HOUSING L-FRAME	1
2	1000-0273	LEFT REAR L-FRAME, BACK FOAM	1
3	1000-0274	LEFT REAR L-FRAME, SIDE FOAM	1



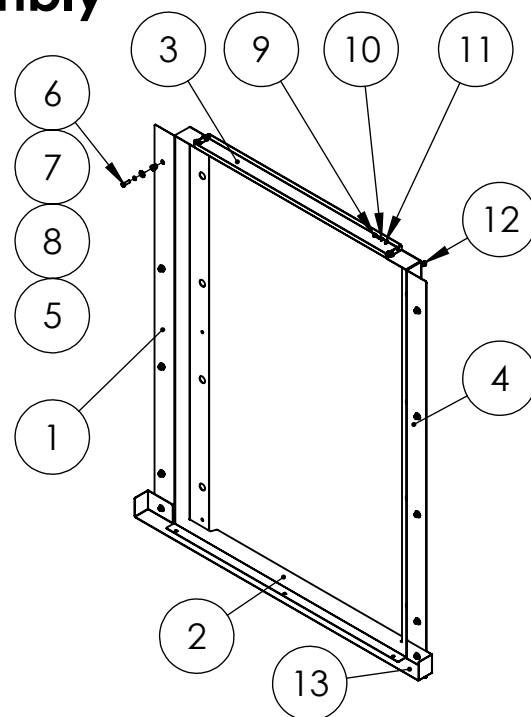
Right Rear Housing L- Frame



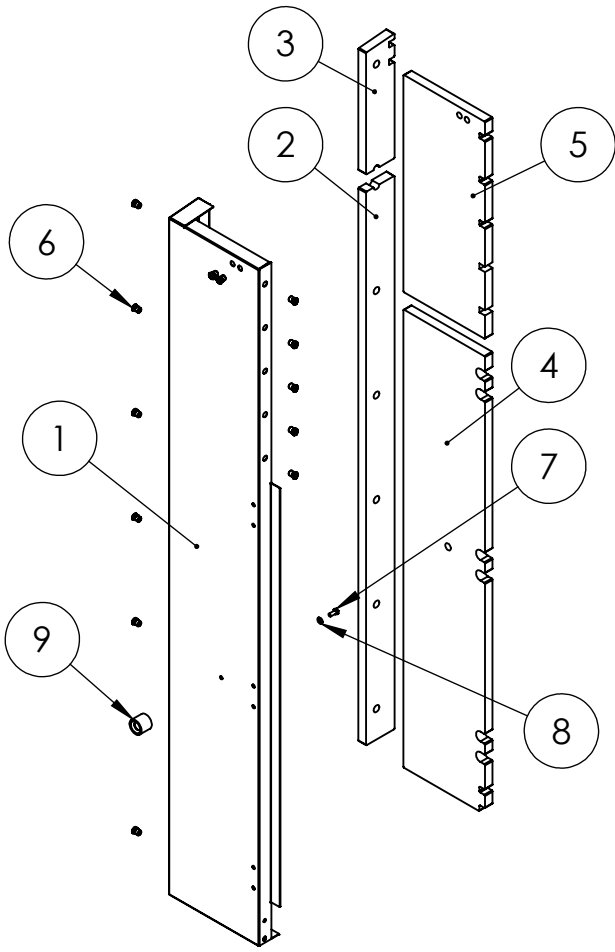
ITEM NO.	PART NUMBER	DESCRIPTION	QTY.
1	1000-0063	RIGHT REAR HOUSING L-FRAME	1
2	1000-0271	RIGHT REAR L-FRAME, BACK FOAM	1
3	1000-0272	RIGHT REAR L-FRAME, SIDE FOAM	1

Radiator Extension Assembly

ITEM NO.	PART NUMBER	DESCRIPTION	QTY.
1	1000-0472	RIGHT SIDE RADIATOR EXTENSION	1
2	1000-0476	BOTTOM RAD. EXTENSION	1
3	1000-0474	TOP RAD. EXTENSION	1
4	1000-0473	LEFT SIDE RADIATOR EXTENSION	1
5	352126-1	RIVET NUT 5/16-18 .027-.150	10
6	1116-000	HHCS .3125-18X1	10
7	480-000	LOCK .3125 SPLIT	10
8	526-000	WASHER ID .375 OD .890	10
9	466-000	.25-20X.75 HHB	4
10	479-000	LOCK WASHER, .25" SPLIT	4
11	488-000	FLAT WASHER .25 X .5625 .0468	4
12	16248-000	.25-20 FLANGE NUT	4
13	1000-0475	RAD. BOTTOM SILL	1



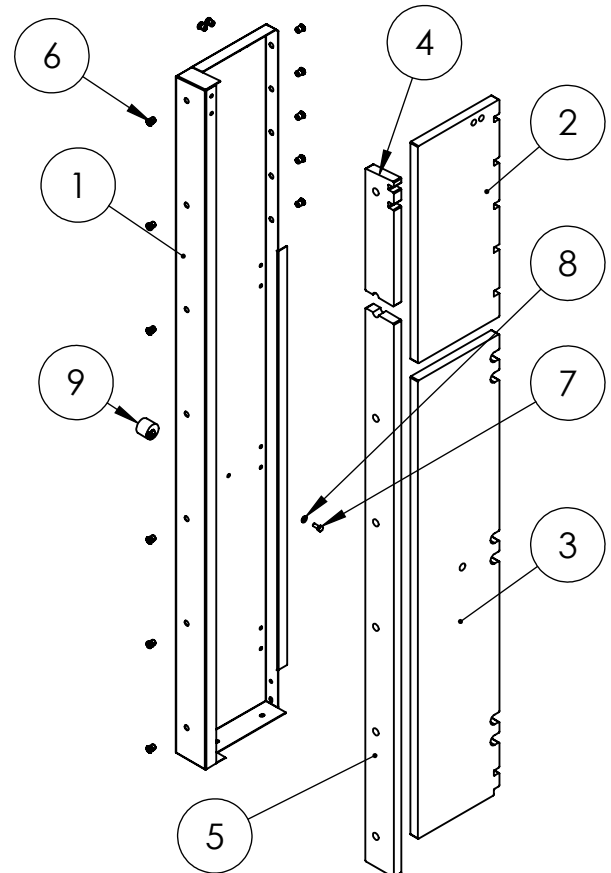
Right Rear Corner Panel



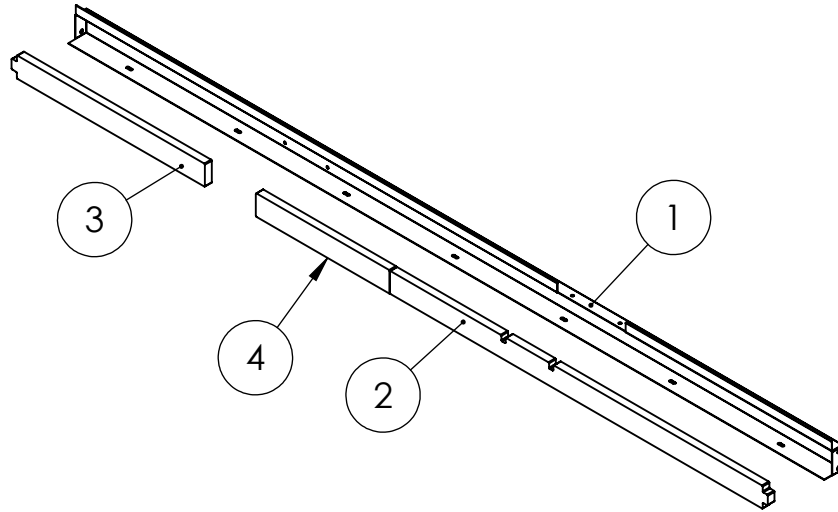
ITEM NO.	PART NUMBER	DESCRIPTION	QTY.
1	1000-0064	RIGHT REAR CORNER PANEL	1
2	1000-0125	RIGHT CORNER FLANGE FOAM, BOTTOM	1
3	1000-0126	RIGHT CORNER FLANGE FOAM, TOP	1
4	1000-0127	RIGHT CORNER FOAM, BOTTOM	1
5	1000-0128	RIGHT CORNER FOAM, TOP	1
6	352126-1	RIVET NUT 5/16-18 .027-.150	14
7	65001-001	SS HHCS 5/16-18 X .75	1
8	65005-001	5/16 WASHER SS	1
9	95232-000	DOOR HOLDER FEMALE	1

Left Rear Corner Panel

ITEM NO.	PART NUMBER	DESCRIPTION	QTY.
1	1000-0065	LEFT REAR CORNER PANEL	1
2	1000-0129	LEFT CORNER FOAM, TOP	1
3	1000-0130	LEFT CORNER FOAM, BOTTOM	1
4	1000-0131	LEFT CORNER FLANGE FOAM, TOP	1
5	1000-0132	LEFT CORNER FLANGE FOAM, BOTTOM	1
6	352126-1	RIVET NUT 5/16-18 .027-.150	14
7	65001-001	SS HHCS 5/16-18 X .75	1
8	65005-001	5/16 WASHER SS	1
9	95232-000	DOOR HOLDER FEMALE	1

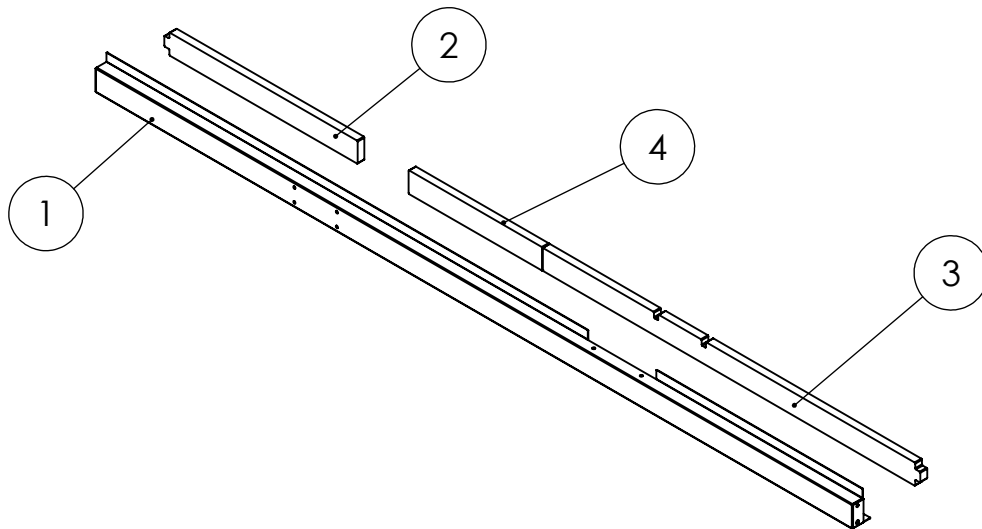


Bottom Sill Right Side



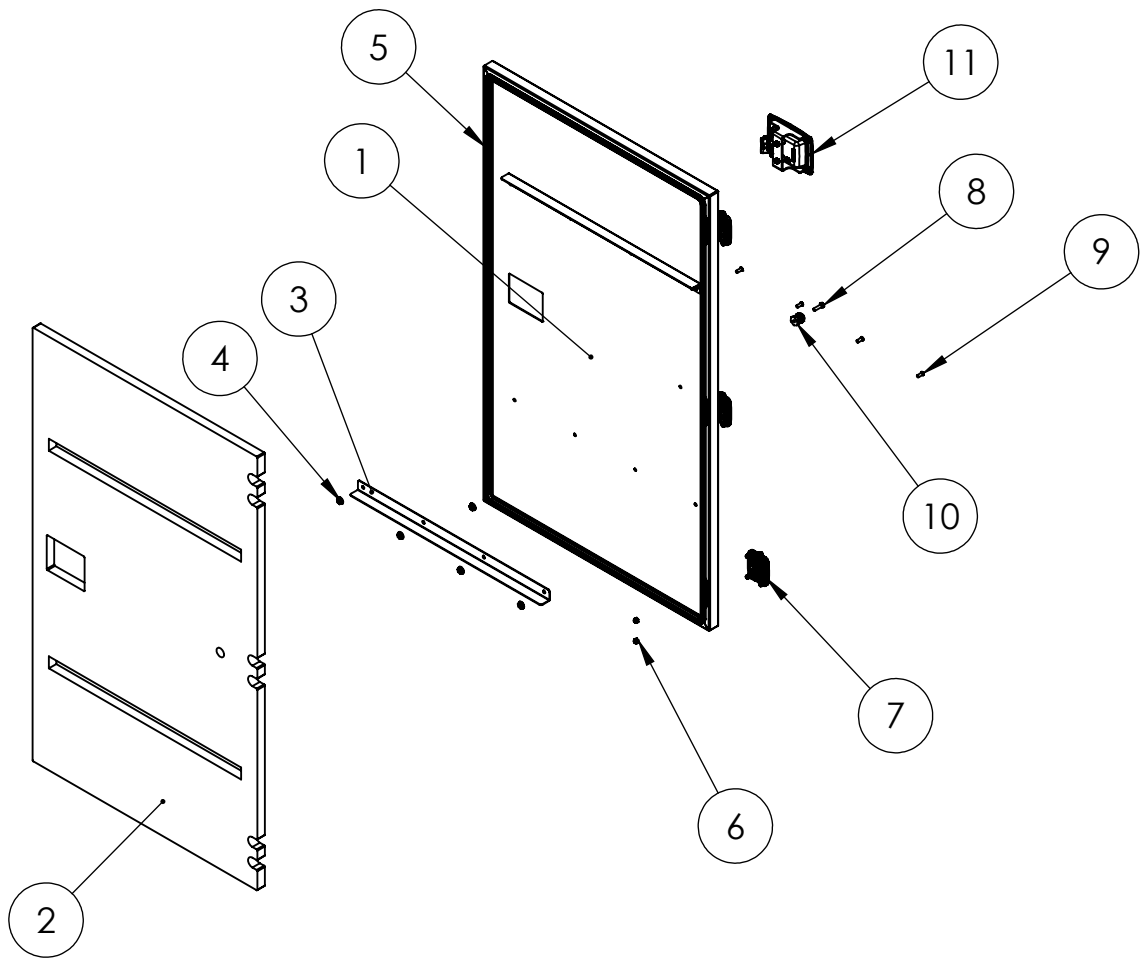
ITEM NO.	PART NUMBER	DESCRIPTION	QTY.
1	1000-0073	BOTTOM SILL, RIGHT SIDE	1
2	1000-0133	BOTTOM RIGHT SILL FOAM, REAR	1
3	1000-0135	BOTTOM LEFT SILL FOAM, FRONT	1
4	2000-0324	SILL FOAM	1

Bottom Sill Left Side



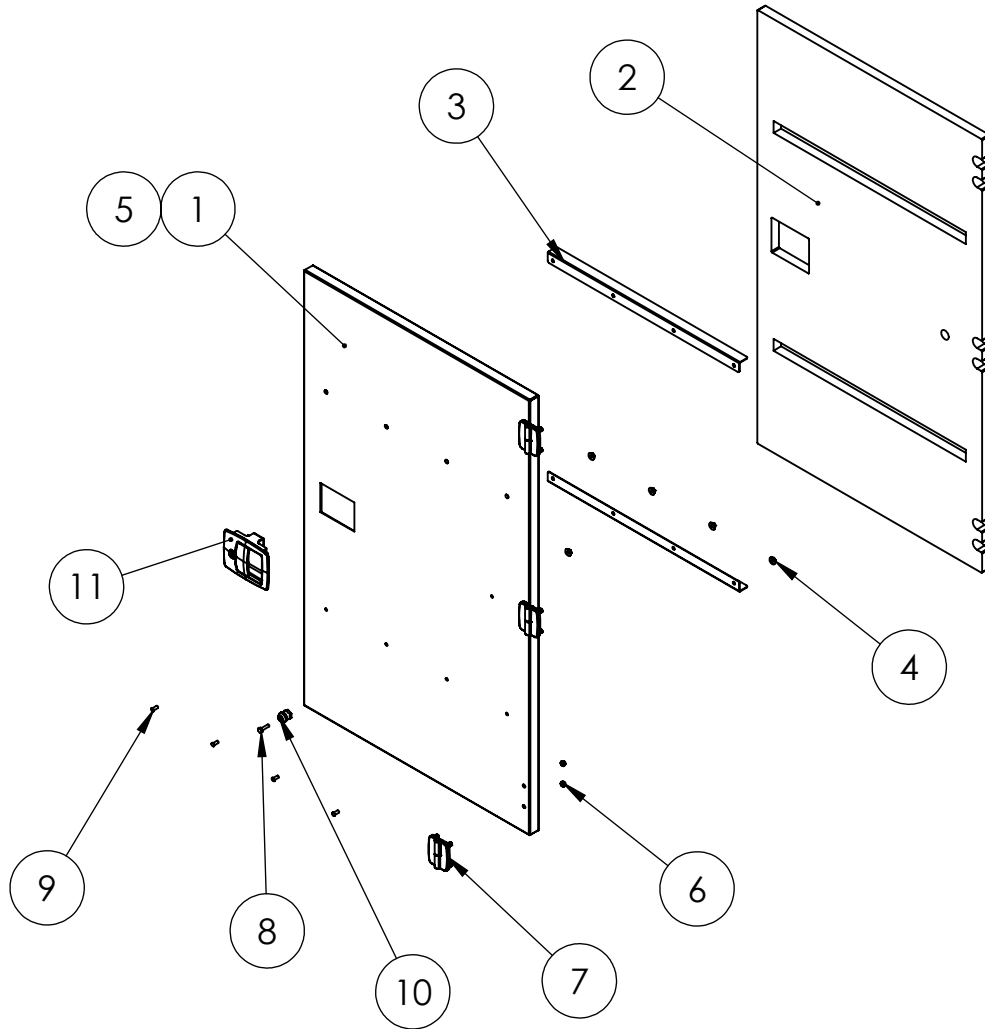
ITEM NO.	PART NUMBER	DESCRIPTION	QTY.
1	1000-0081	BOTTOM SILL, LEFT SIDE	1
2	1000-0135	BOTTOM LEFT SILL FOAM, FRONT	1
3	1000-0136	BOTTOM LEFT SILL FOAM, REAR	1
4	2000-0324	SILL FOAM	1

Left Hand CB Door



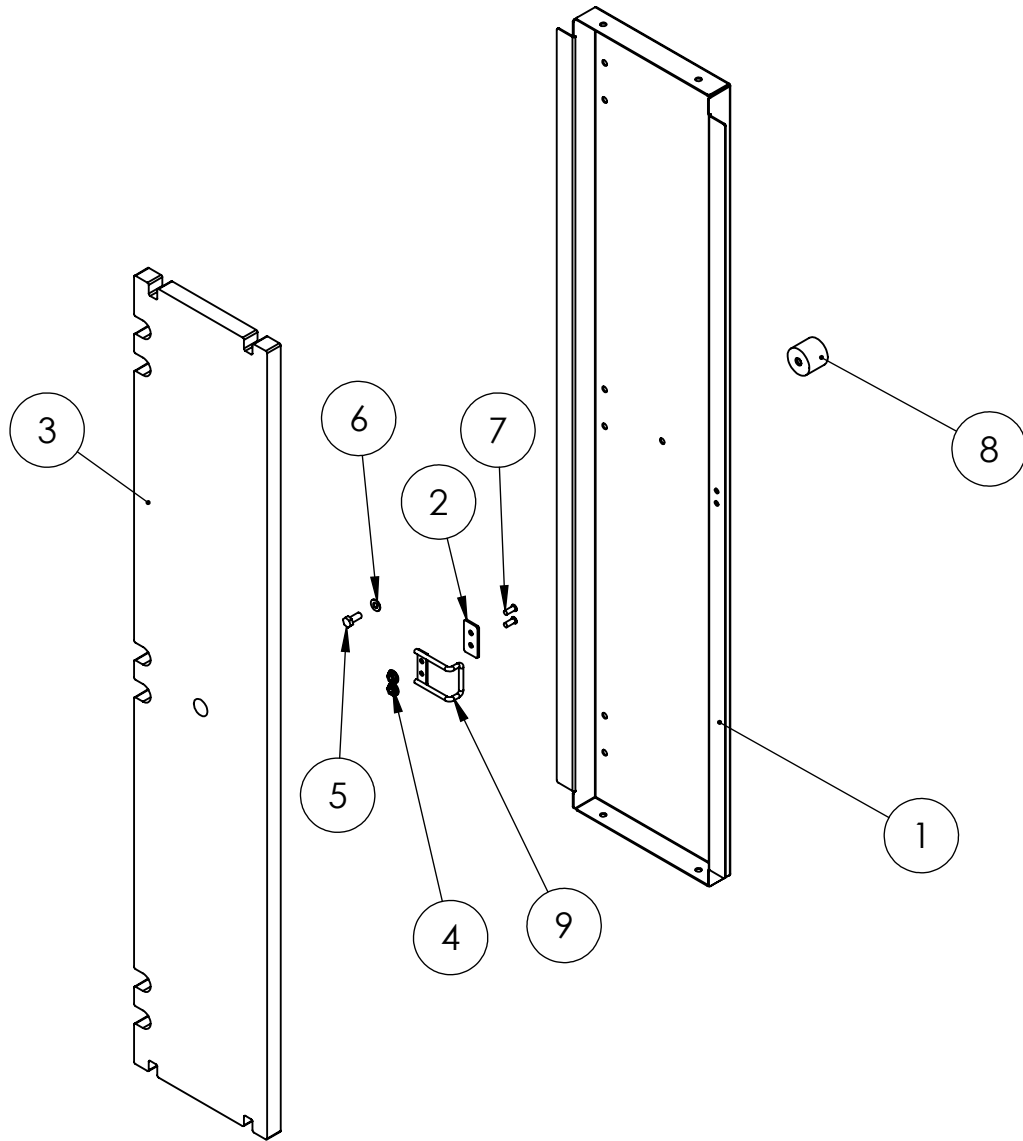
ITEM NO.	PART NUMBER	DESCRIPTION	QTY.
1	1000-0074	CIRCUIT BREAKER DOOR	1
2	1000-0137	CB DOOR FOAM	1
3	1000-0252	CB DOOR STIFFENER	2
4	16248-000	.25-20 FLANGE NUT	9
5	16348-000	BULB SEAL .2 IN .125 - 155IN	1
6	16446-000	M8-1.25 NYLOCK	6
7	350054-4	LIFT OFF HINGE LEFT	3
8	65000-002	.25 -20X1 SS HHCS	1
9	94980-001	THREAD STUD .25-20X.625	8
10	95232-001	DOOR HOLDER MALE	1
11	99269-002	DOOR LATCH LOCKABLE	1

Right Hand CB Door



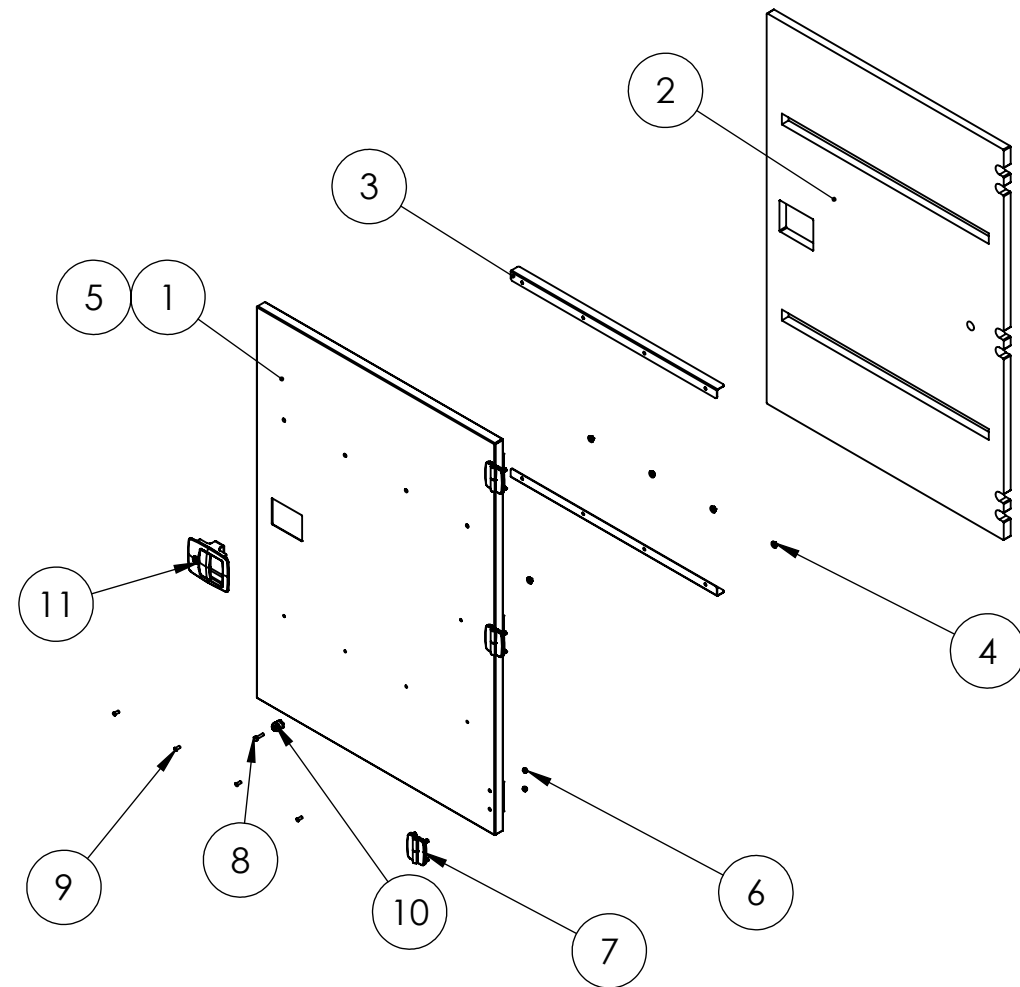
ITEM NO.	PART NUMBER	DESCRIPTION	QTY.
1	1000-0082	RIGHT HAND CIRCUIT BREAKER DOOR	1
2	1000-0137	CB DOOR FOAM	1
3	1000-0252	CB DOOR STIFFENER	2
4	16248-000	.25-20 FLANGE NUT	9
5	16348-000	BULB SEAL .2 IN .125 - 155IN	1
6	16446-000	M8-1.25 NYLOCK	6
7	350054-3	LIFT OFF HINGE RIGHT	3
8	65000-002	.25 -20X1 SS HHCS	1
9	94980-001	THREAD STUD .25-20X.625	8
10	95232-001	DOOR HOLDER MALE	1
11	99269-002	DOOR LATCH LOCKABLE	1

Door Mullion



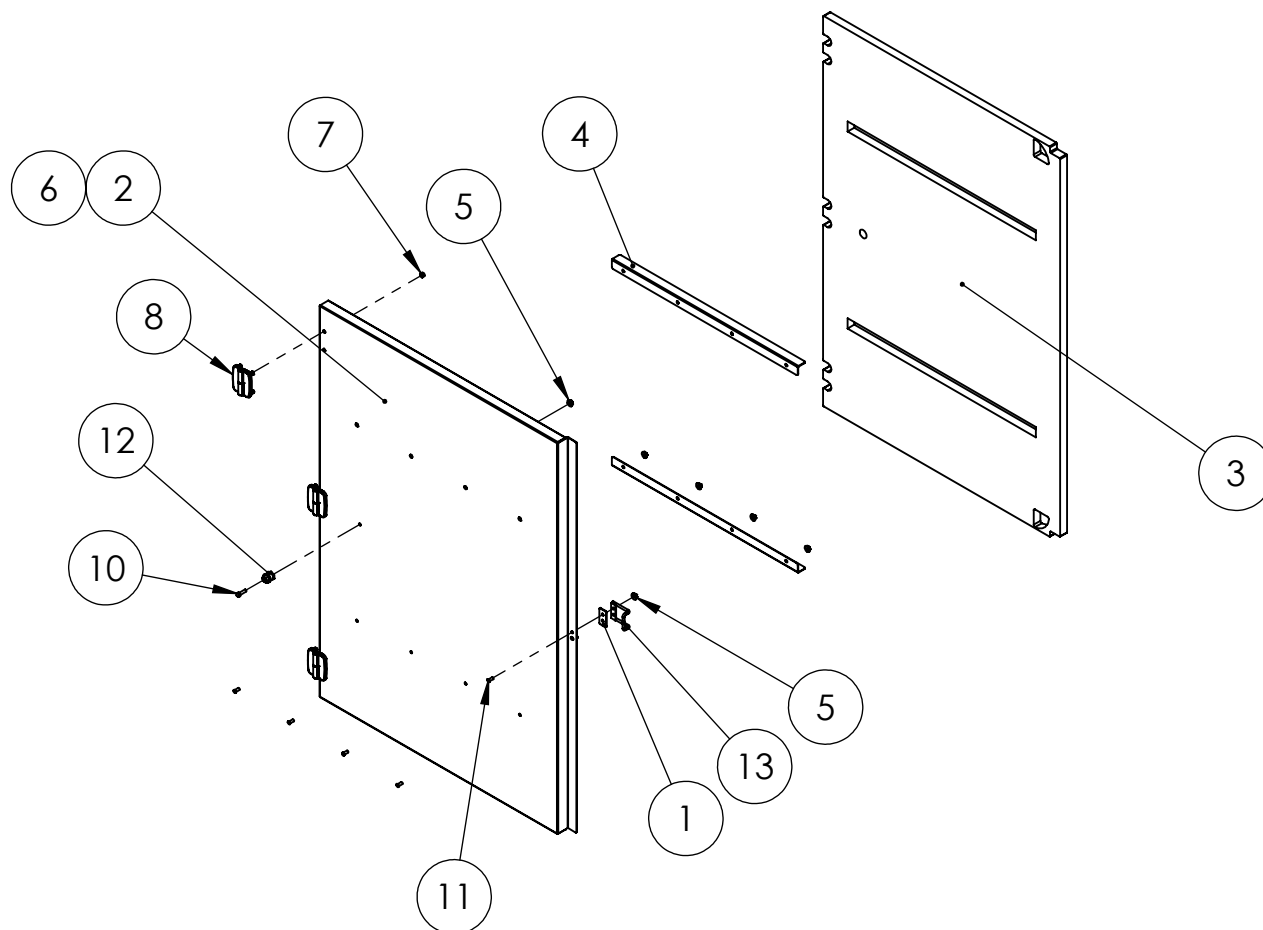
ITEM NO.	PART NUMBER	DESCRIPTION	QTY.
1	1000-0075	RIGHT SIDE DOOR MULLION	1
2	1000-0078	STRIKER BRACKET	1
3	1000-0143	MULLION FOAM	1
4	16248-000	.25-20 FLANGE NUT	2
5	65001-001	SS HHCS 5/16-18 X .75	1
6	65005-001	5/16 WASHER SS	1
7	94980-001	THREAD STUD .25-20X.625	2
8	95232-000	DOOR HOLDER FEMALE	1
9	99269-003	STRIKER (FOR -002 LATCH)	1

Right Hand Door, Dutch



ITEM NO.	PART NUMBER	DESCRIPTION	QTY.
1	1000-0084	RIGHT DOOR	1
2	1000-0139	DUTCH DOOR FOAM	1
3	1000-0253	DUTCH DOOR STIFFENER	2
4	16248-000	.25-20 FLANGE NUT	9
5	16348-000	BULB SEAL .2 IN .125 - 165 IN	1
6	16446-000	M8-1.25 NYLOCK	6
7	350054-3	LIFT OFF HINGE RIGHT	3
8	65000-002	.25 -20X1 SS HHCS	1
9	94980-001	THREAD STUD .25-20X.625	8
10	95232-001	DOOR HOLDER MALE	1
11	99269-002	DOOR LATCH LOCKABLE	1

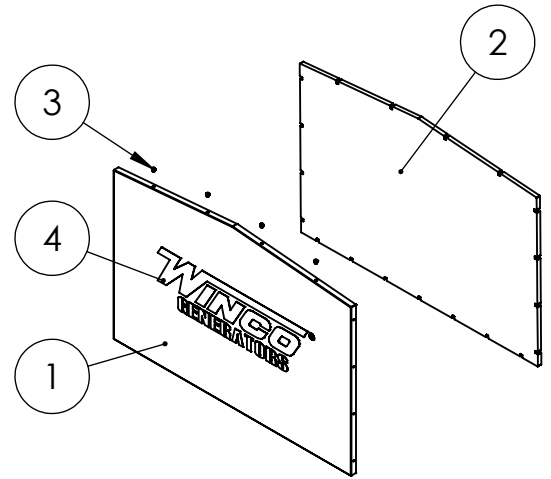
Left Hand Door, Dutch



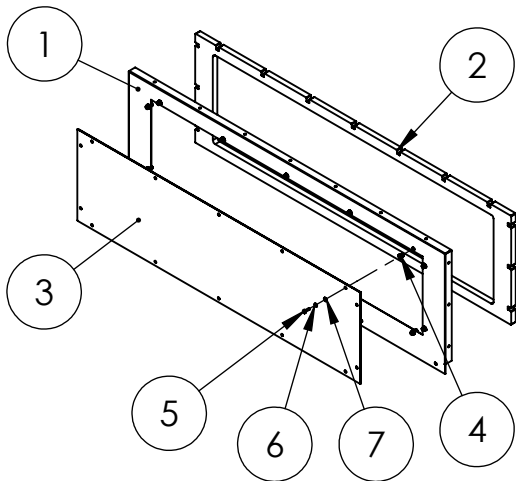
ITEM NO.	PART NUMBER	DESCRIPTION	QTY.
1	1000-0078	STRIKER BRACKET	1
2	1000-0085	LEFT HAND DOOR, NO HANDLE, DUTCH	1
3	1000-0141	RIGHT HAND DUTCH DOOR FOAM, NO HANDLE	1
4	1000-0258	DUTCH DOOR STIFFENER	2
5	16248-000	.25-20 FLANGE NUT	11
6	16348-000	BULB SEAL .2 IN .125 -1 1/4IN	1
7	16446-000	M8-1.25 NYLOCK	6
8	350054-4	LIFT OFF HINGE LEFT	3
9	352125-1	1/4-20 RIVET NUT 22 GA-10GA	2
10	65000-002	.25 -20X1 SS HHCS	1
11	94980-001	THREAD STUD .25-20X.625	10
12	95232-001	DOOR HOLDER MALE	1
13	99269-003	STRIKER (FOR -002 LATCH)	1

Top Front Snorkle Panel

ITEM NO.	PART NUMBER	DESCRIPTION	QTY.
1	1000-0088	TOP FRONT SNORKEL PANEL	1
2	1000-0172	TOP FRONT SNORKEL PANEL FOAM	1
3	352126-1	RIVET NUT 5/16-18 .027-.150	4
4	98313-003	WINCO LOGO	1



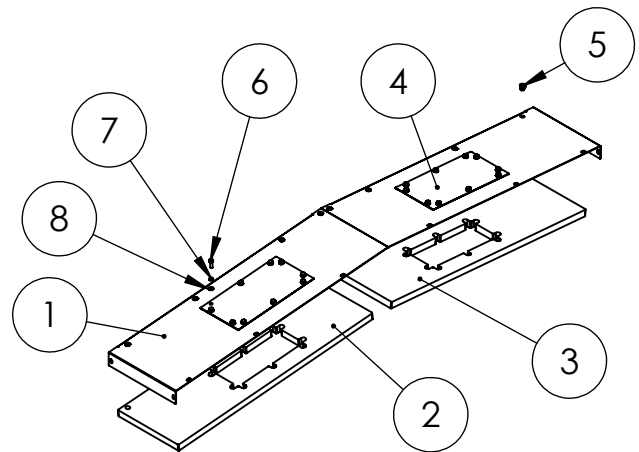
Bottom Front Snorkle Panel



ITEM NO.	PART NUMBER	DESCRIPTION	QTY.
1	1000-0089	FRONT BOTTOM SNORKEL PANEL	1
2	1000-0173	BOTTOM FRONT SNORKEL PANEL FOAM	1
3	1000-0263	SNORKEL ACCESS PANEL	1
4	352126-1	RIVET NUT 5/16-18 .027-.150	14
5	65001-002	.3125-18X1 HHB SS	14
6	65003-001	LOCKWASHER 5/16 SPLIT SS	14
7	65005-001	5/16 WASHER SS	14

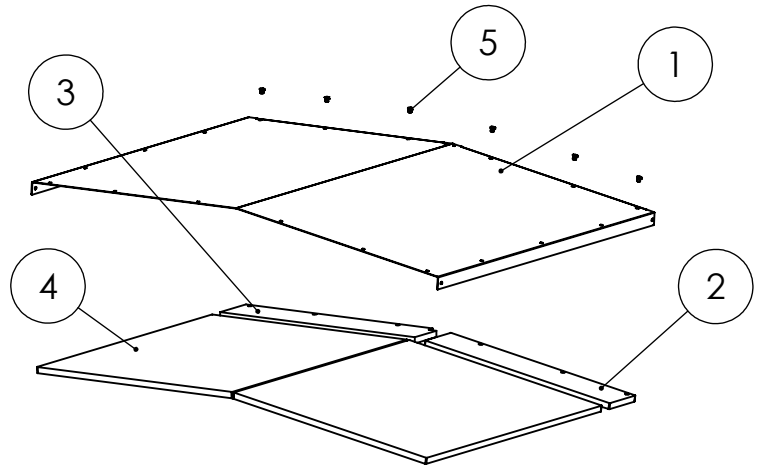
Radiator Roof Panel

ITEM NO.	PART NUMBER	DESCRIPTION	QTY.
1	1000-0097	RADIATOR ROOF PANEL	1
2	1000-0184	RIGHT SIDE RADIATOR ROOF PANEL FOAM	1
3	1000-0185	LEFT SIDE RADIATOR ROOF PANEL FOAM	1
4	1000-0265	RADIATOR FILL ACCESS PANEL	2
5	352126-1	RIVET NUT 5/16-18 .027-.150	28
6	65001-002	.3125-18X1 HHB SS	20
7	65003-001	LOCKWASHER 5/16 SPLIT SS	20
8	65005-001	5/16 WASHER SS	20

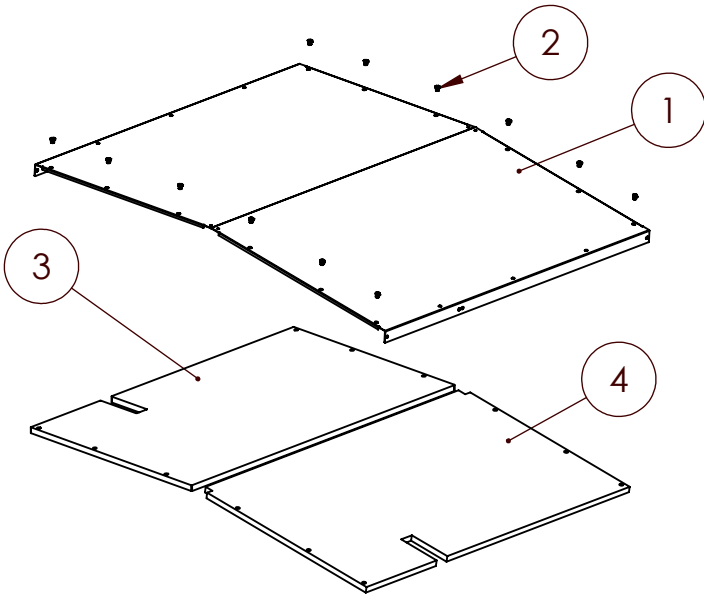


Rear Roof Panel Assembly

ITEM NO.	PART NUMBER	DESCRIPTION	QTY.
1	1000-0094	REAR ROOF PANEL	1
2	1000-0177	RIGHT SIDE REAR ROOF PANEL FOAM, FRONT	1
3	1000-0178	LEFT SIDE REAR ROOF PANEL FOAM, FRONT	1
4	1000-0179	REAR ROOF PANEL FOAM	2
5	352126-1	RIVET NUT 5/16-18 .027-.150	6



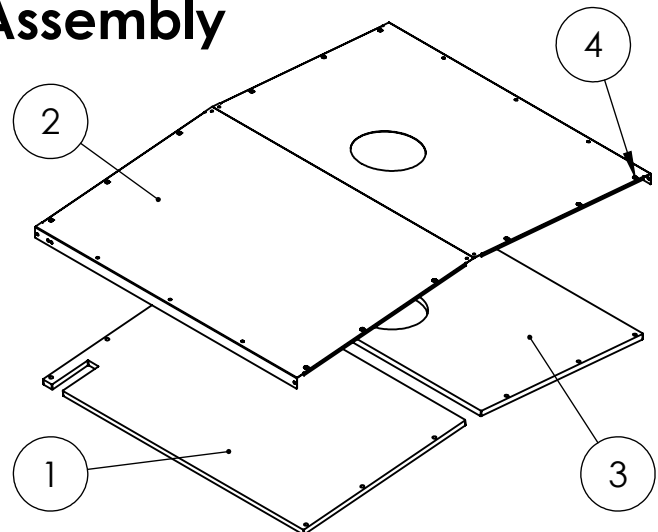
Center Roof Panel Assembly



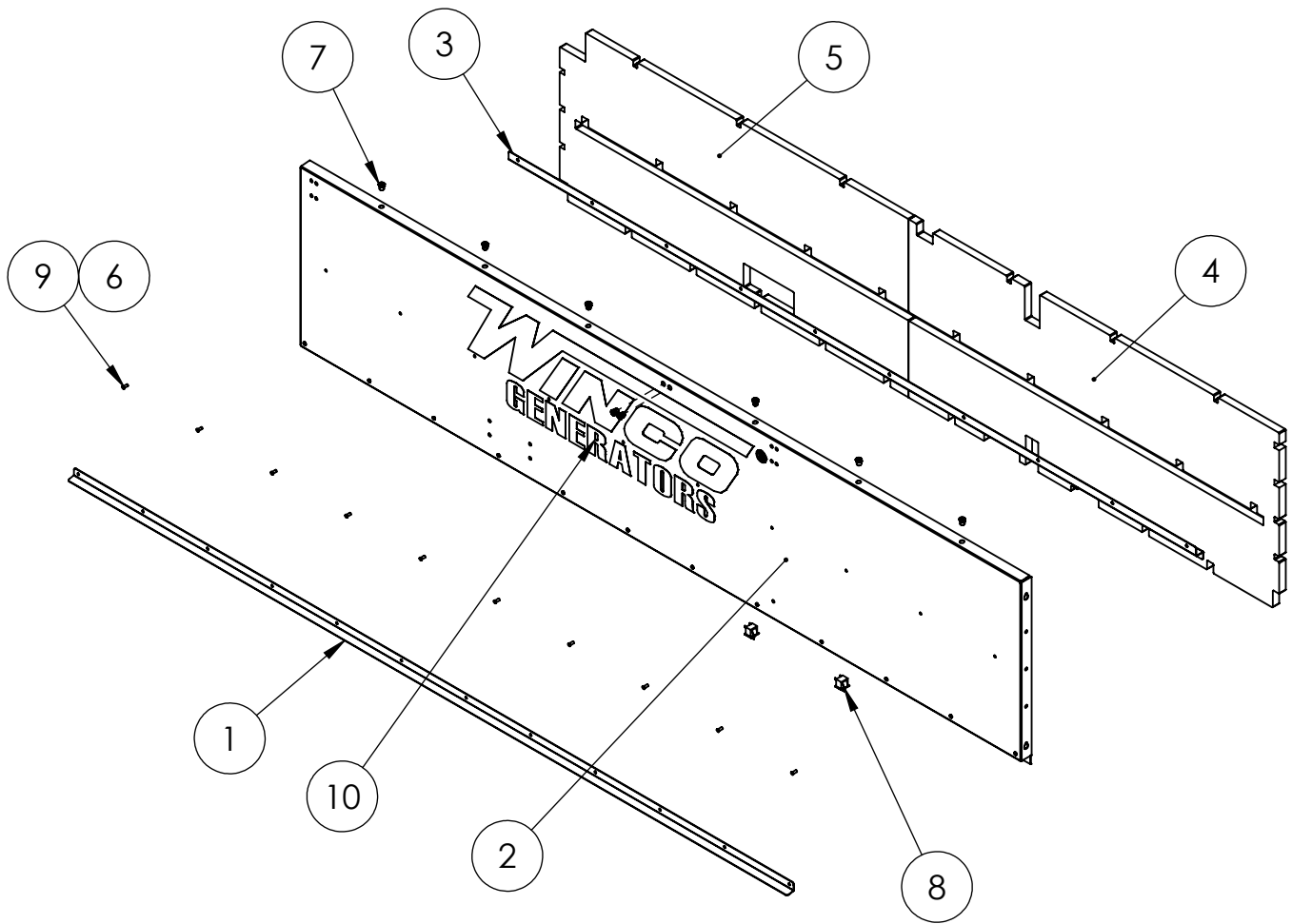
ITEM NO.	PART NUMBER	DESCRIPTION	QTY.
1	1000-0095	CENTER ROOF PANEL	1
2	352126-1	RIVET NUT 5/16-18 .027-.150	12
3	1000-0180	CENTER ROOF PANEL FOAM, RIGHT SIDE	1
4	1000-0181	CENTER ROOF PANEL FOAM, LEFT SIDE	1

Silencer Roof Panel Assembly

ITEM NO.	PART NUMBER	DESCRIPTION	QTY.
1	1000-0183	SILENCER ROOF PANEL FOAM, LEFT SIDE	1
2	1000-0486	SILENCER ROOF PANEL	1
3	1000-0487	SILENCER ROOF PANEL FOAM, RIGHT SIDE	1
4	352126-1	RIVET NUT 5/16-18 .027-.150	12

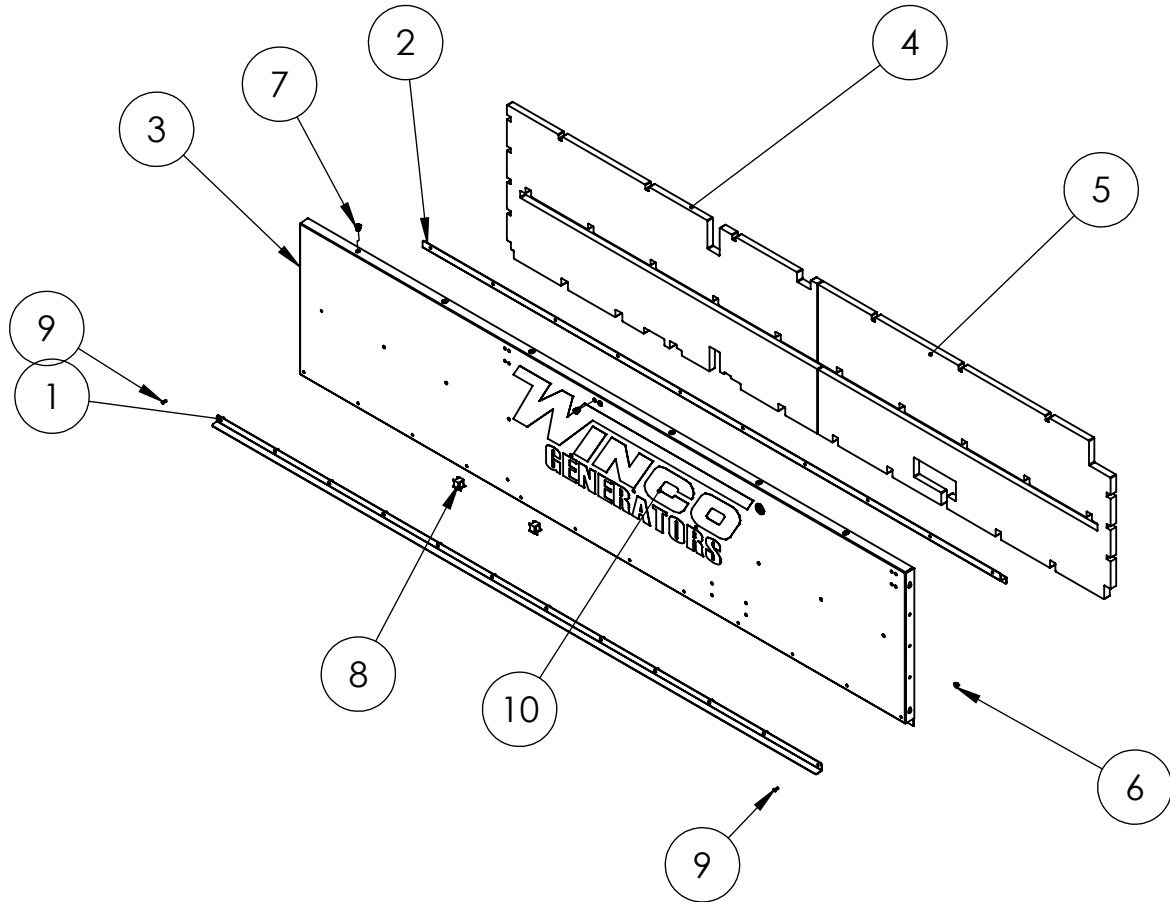


Left Side Sill Panel



ITEM NO.	PART NUMBER	DESCRIPTION	QTY.
1	1000-0069	DRIP EDGE	1
2	1000-0254	LEFT SIDE SILL PANEL	1
3	1000-0255	DOOR SILL STIFFENER	1
4	1000-0256	TOP LEFT SILL, BACK CORNER FOAM	1
5	1000-0257	TOP LEFT SILL FOAM, FRONT	1
6	16248-000	.25-20 FLANGE NUT	22
7	352126-1	RIVET NUT 5/16-18 .027-.150	8
8	71444-004	SWITCH N.C.	2
9	94980-001	THREAD STUD .25-20X.625	22
10	98313-003	WINCO LOGO	1

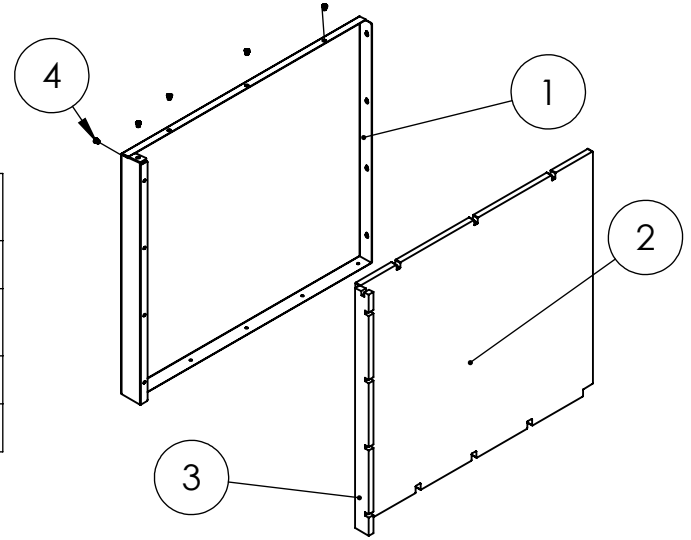
Right Side Sill Panel



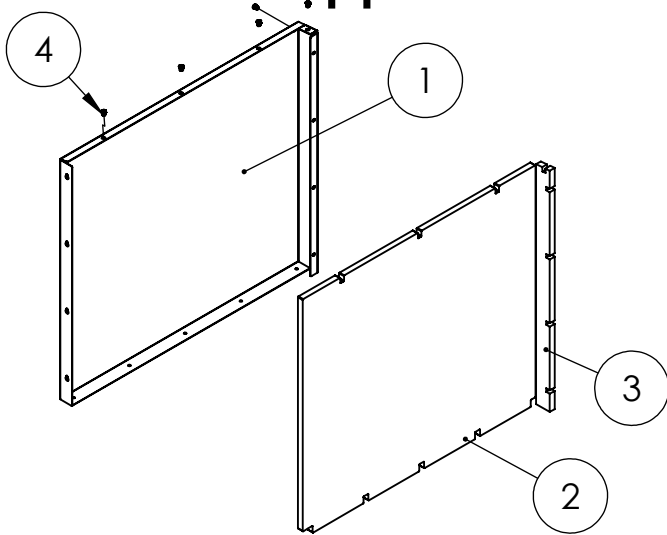
ITEM NO.	PART NUMBER	DESCRIPTION	QTY.
1	1000-0069	DRIP EDGE	1
2	1000-0255	DOOR SILL STIFFENER	1
3	1000-0259	RIGHT SIDE SILL PANEL	1
4	1000-0260	TOP RIGHT SILL, BACK CORNER FOAM	1
5	1000-0261	TOP RIGHT SILL FOAM, FRONT	1
6	16248-000	.25-20 FLANGE NUT	22
7	352126-1	RIVET NUT 5/16-18 .027-.150	8
8	71444-004	SWITCH N.C.	2
9	94980-001	THREAD STUD .25-20X.625	22
10	98313-003	WINCO LOGO	1

Upper Right Side Snorkel Assembly

ITEM NO.	PART NUMBER	DESCRIPTION	QTY.
1	2000-0322	RIGHT UPPER SNORKEL SIDE	1
2	2000-0340	RIGHT SIDE PANEL FOAM UPPER	1
3	2000-0353	FRONT UPPER FOAM RIGHT	1
4	352126-1	RIVET NUT 5/16-18 .027-.150	5



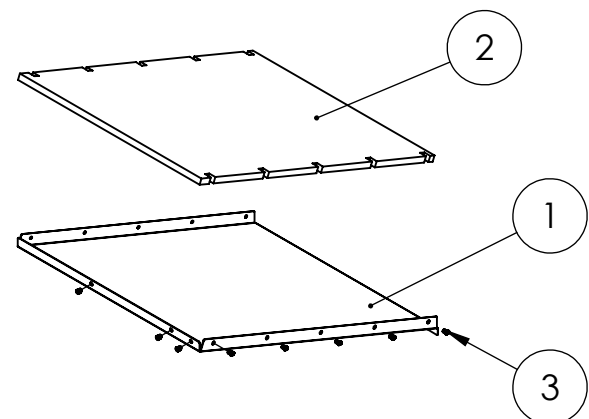
Upper Left Side Snorkel Assembly



ITEM NO.	PART NUMBER	DESCRIPTION	QTY.
1	2000-0346	UPPER LEFT SNORKEL SIDE	1
2	2000-0343	LEFT SIDE PANEL FOAM UPPER	1
3	2000-0352	FRONT UPPER FOAM LEFT	1
4	352126-1	RIVET NUT 5/16-18 .027-.150	5

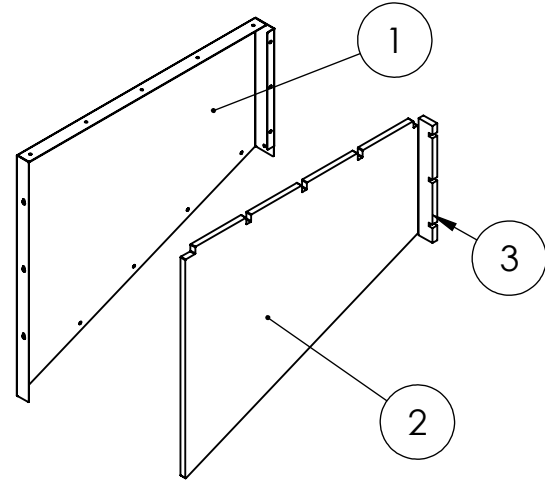
Lower Left Side Snorkel Assembly

ITEM NO.	PART NUMBER	DESCRIPTION	QTY.
1	2000-0348	SNORKEL BOTTOM LEFT	1
2	2000-0335	SNORKEL LOWER FOAM	1
3	352126-1	RIVET NUT 5/16-18 .027-.150	8

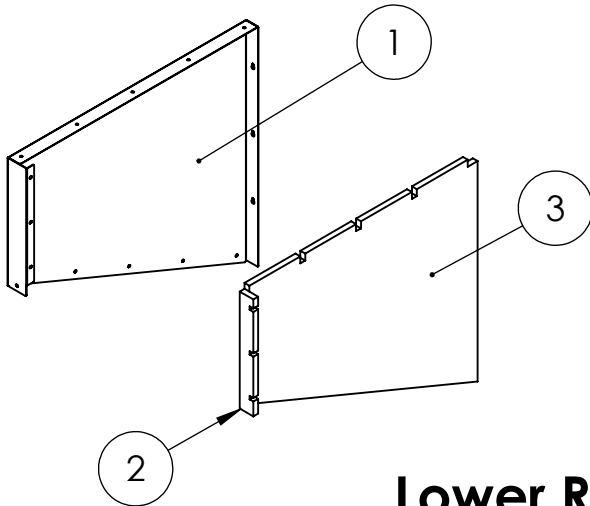


Lower Left Side snorkel

ITEM NO.	PART NUMBER	DESCRIPTION	QTY.
1	2000-0347	LOWER LEFT SNORKEL SIDE	1
2	2000-0344	LEFT SIDE PANEL FOAM BOTTOM	1
3	2000-0354	FRONT LOWER FOAM LEFT	1



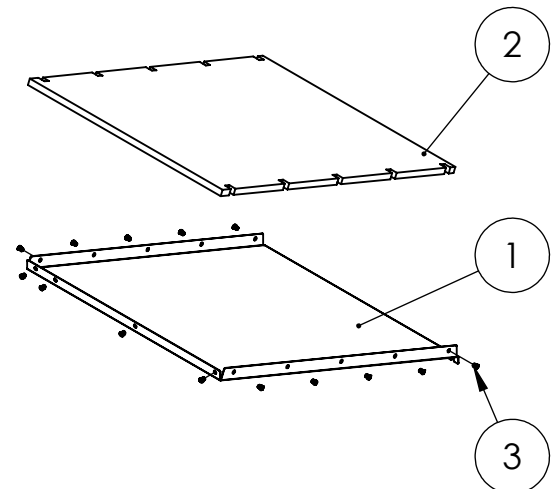
Lower Right Front Side snorkel



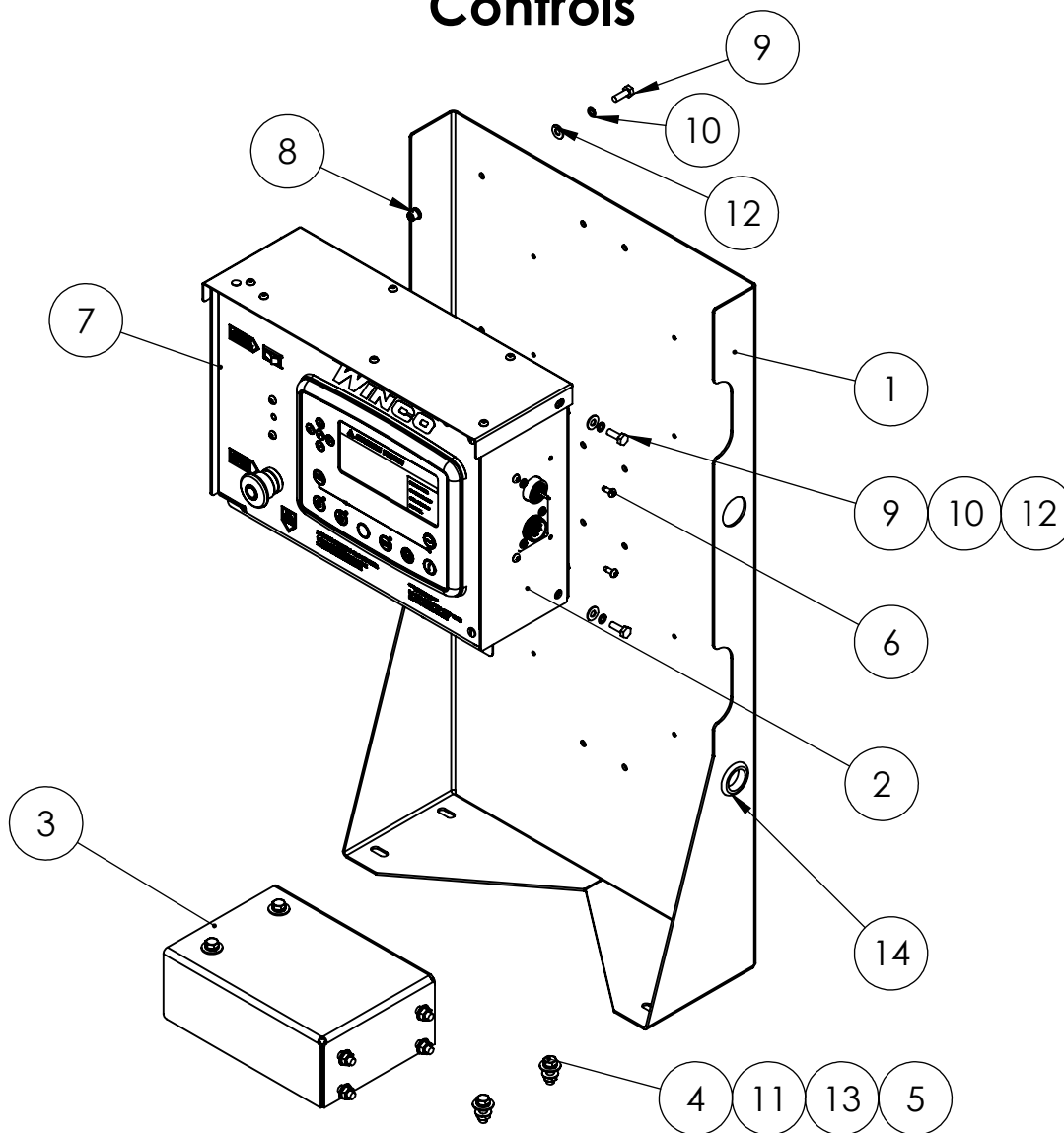
ITEM NO.	PART NUMBER	DESCRIPTION	QTY.
1	2000-0321	RIGHT LOWER SNORKEL SIDE	1
2	2000-0355	FRONT LOWER FOAM RIGHT	1
3	2000-0342	RIGHT SIDE PANEL FOAM BOTTOM	1

Lower Right Side snorkel

ITEM NO.	PART NUMBER	DESCRIPTION	QTY.
1	2000-0345	SNORKEL BOTTOM RIGHT	1
2	2000-0341	SIDE PANEL FOAM CENTER	1
3	352126-1	RIVET NUT 5/16-18 .027-.150	14

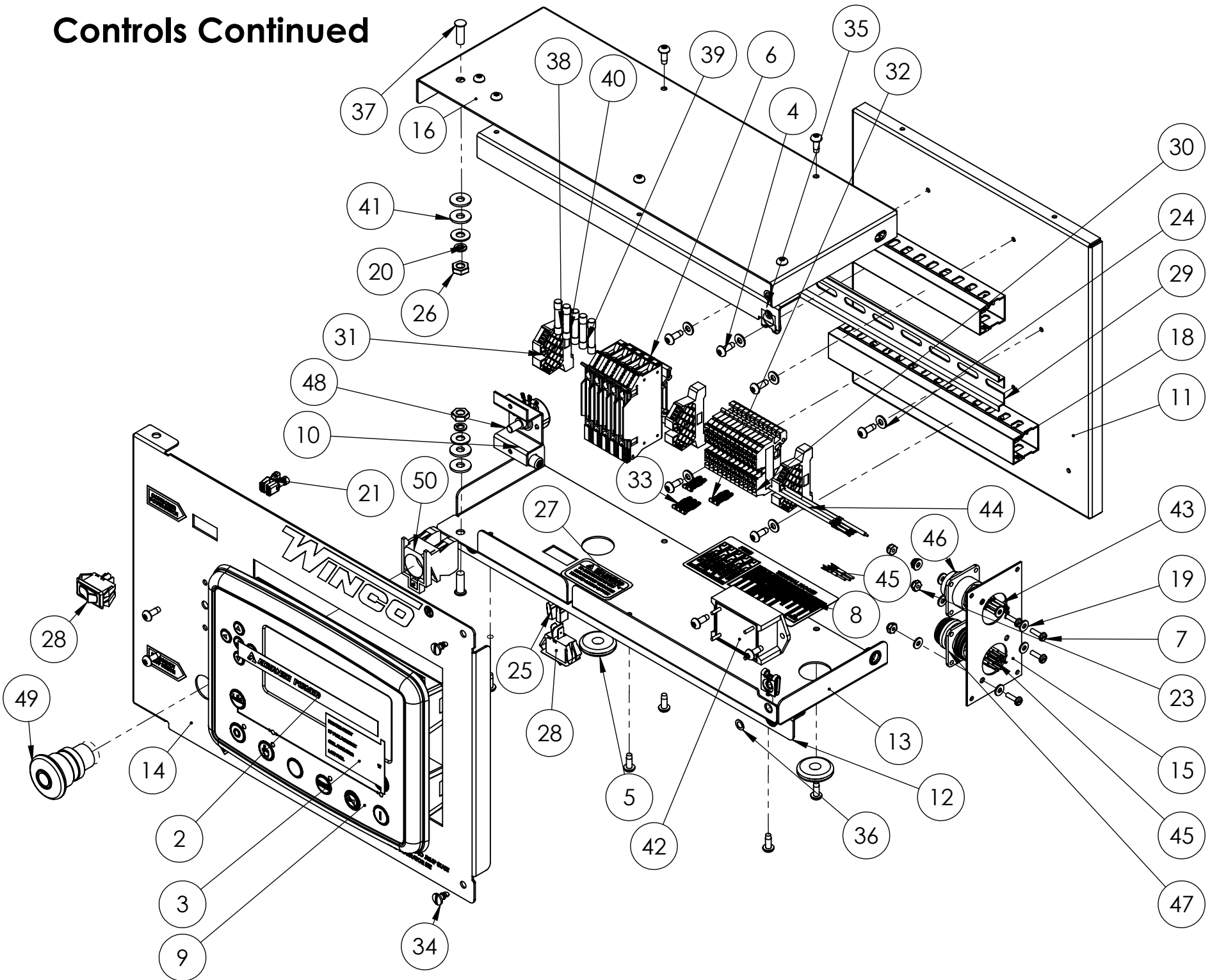


Controls



f	PART NUMBER	DESCRIPTION	QTY.
1	1000-0025	CONTROLLER TOWER	1
2	1000-0026	CONTROLLER BOX	1
3	1000-0036	CONTROL TOWER BRACKET	1
4	1116-000	HHCS .3125-18X1	8
5	16249-000	.3125-18 FLANGE	8
6	21698-001	TORX PAN HEAD SCREW #10	4
7	351891-51	ECU ENGINE CONTROLLER	1
8	352125-1	1/4-20 RIVET NUT 22 GA-10GA	6
9	466-000	.25-20X.75 HHB	8
10	479-000	LOCK WASHER, .25" SPLIT	8
11	480-000	5/16 SPLIT LOCKWASHER	8
12	512-000	.25 WASHER	8
13	526-000	5/16 FLAT WASHER	8
14	62486-000	GROMMET 1 X 1.375	1

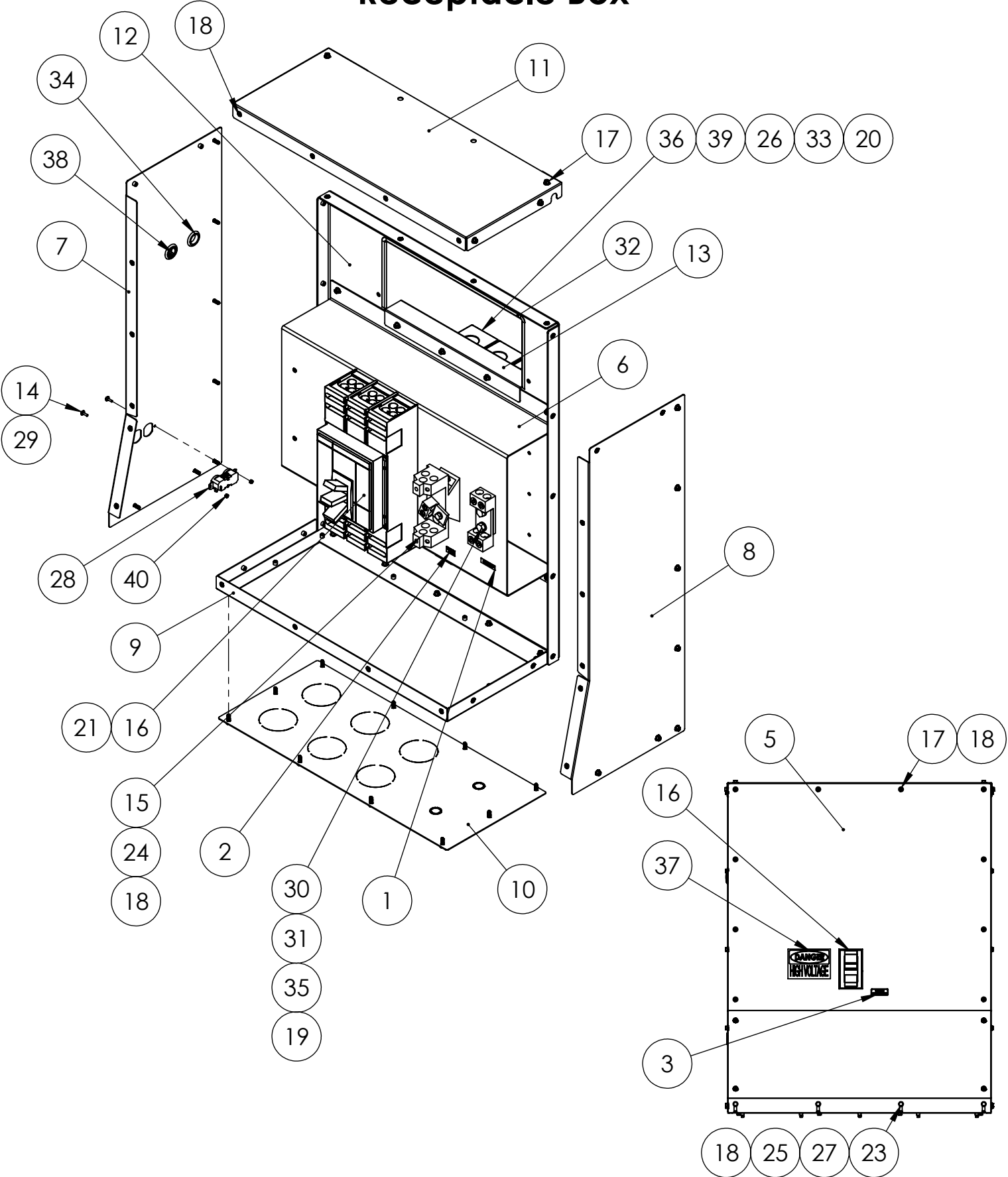
Controls Continued



Controls Continued

ITEM NO.	PART NUMBER	DESCRIPTION	QTY.
1	11067-000	18 GA WIRE	1
2	16600-005	DSE MKII ADVANCE POWER LOGO INSERT	1
3	16601-007	DSE 8610 MKII LIGHT LEGEND CARD INSERT	1
4	21698-001	TORX PAN HEAD SCREW #10	21
5	23917-002	GROMMET, .375ID X 1	2
6	2489-003	DIN RAIL FUSE HOLDER 1-1/4 X 1/4IN	5
7	24988-000	SCREW 6-32 X 1/2 BIND	4
8	351095-16	DECAL, FUSES AND TERMINAL BLOCKS	1
9	351112-29	DEEP SEA ELECTRONICS 7310 MKII	1
10	351900-36	RHEOSTAT MOUNTING BRACKET	1
11	351900-42	DIN RAIL MOUNTING PLATE	1
12	351900-44	COVER SUPPORT BRACKET	1
13	351900-45	DSE8610 CONTROL BOX BOTTOM	1
14	351900-47	DSE 7310 MKII FRONT PANEL	1
15	351900-51	PLUG MOUNTING PLATE	1
16	351900-52	DSE CONTROL BOX TOP	1
17	351900-53	DSE PANEL STOP	1
18	352017-001	WIRE DUCT, 8.5IN	2
19	425-000	#6 FLATWASHER	8
20	479-000	LOCK WASHER, .25" SPLIT	2
21	48602-003	TERMINAL FEMALE 16-14 AWG .250 TAB	2
22	512-000	.25 WASHER	2
23	51802-000	NUT HEX #6-32 NYLOCK	4
24	598-000	#10 WASHER	6
25	61898-000	TERMINAL FLAG 16/14AWG .250	2
26	638-000	HEX NUT, .25IN	2
27	63941-004	DECAL FUSE WARNING (ENGLISH)	1
28	64089-000	SPST, ROCKER SWITCH	2
29	64551-005	DIN RAIL 9.5"	1
30	80623-009	TERMINAL BLOCK, DIN MOUNTED, SPRING CAGE	12
31	80623-010	END BLOCK, DIN MOUNTED	3
32	80623-011	2-POLE TERMINAL BLOCK JUMPER	2
33	80623-012	3-POLE TERMINAL BLOCK JUMPER	1
34	91682-001	STUD 1/4 TURN SLOTTED	2
35	91683-000	1/4 TURN CLIP NUT	2
36	91684-000	RETAINER RING 1/4 TURN SPLIT RING	2
37	94980-003	THREAD STUD .25-20 X .750	2
38	95064-006	FUSE AGC 10 AMP	1
39	95064-008	FUSE AGC 2 AMP	3
40	95064-000	FUSE AGC 3 AMP	1
41	96286-001	1/4" NYLON WASHER	4
42	96333-001	LOW COOLANT MODULE	1
43	96923-001	TERMINAL, SOCKET, 18-16AWG	10
44	96923-101	PLUG TERMINAL	4
45	96924-001	TERMINAL, PIN, 18-16AWG	16
46	96925-002	14 PIN CONNECTOR	1
47	96925-006	16 PIN CONNECTOR	1
48	97517-001	RHEOSTAT	1
49	99783-001	SWITCH, PUSH-PULL	1
50	99783-002	SWITCH CONTACT	1

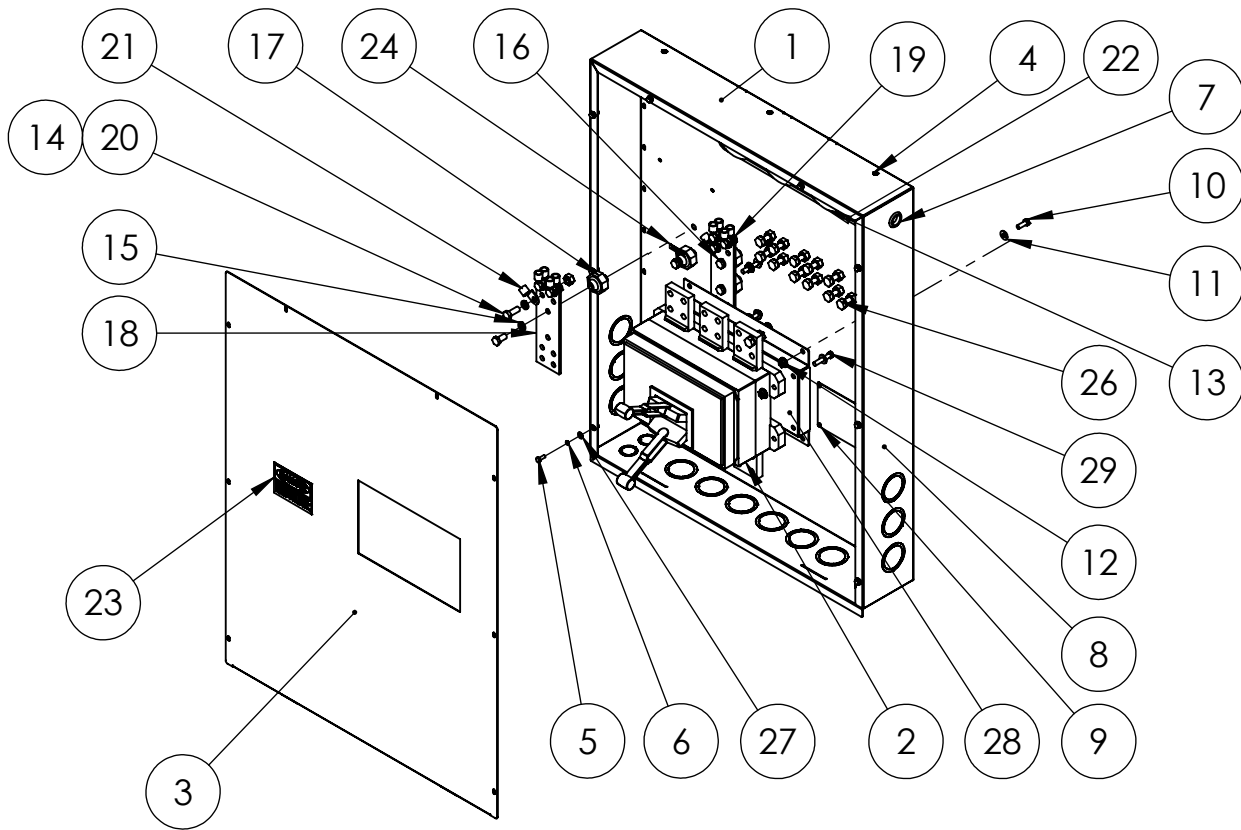
Receptacle Box



Receptacle Box Continued.

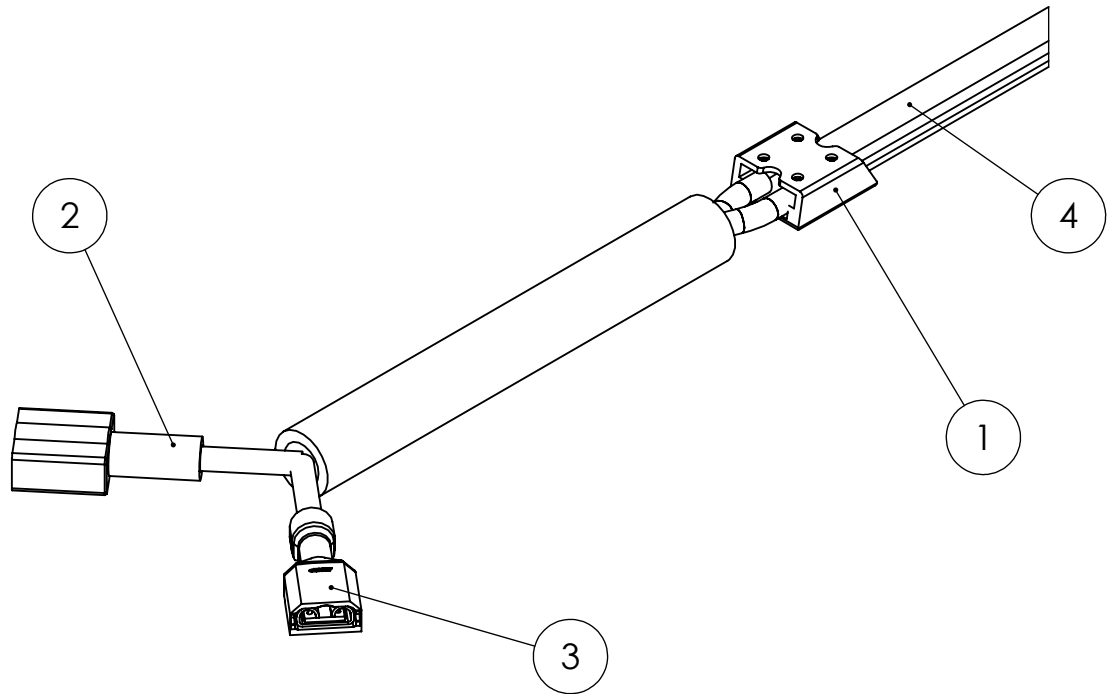
ITEM NO.	PART NUMBER	DESCRIPTION	QTY.
1	15750-000	GROUND DECAL (WHITE LETTERS)	1
2	16501-000	DECAL-FLOATING NEUTRAL	1
3	16502-001	DECAL-AC POWER DISCONNECT	1
4	16503-000	DECAL-COPPER CONDUCTORS ONLY	1
5	2000-0375	CB COVER	1
6	2000-0376	MAIN RISER	1
7	2000-0377	CB LEFT	1
8	2000-0378	CB RIGHT	1
9	2000-0379	CB BOTTOM	1
10	2000-0380	KNOCKOUT PLATE	1
11	2000-0381	CB TOP	1
12	2000-0382	CB_BACK	1
13	2000-0383	CT MOUNT	1
14	24198-000	BHMS #8-32 X .625"	2
15	350124-1	NEUTRAL BLOCK ASSEMBLY 1000A	1
16	351527-7	1000A - 3PL - 600V ADJUSTABLE BREAKER	1
17	352120-2	1/4-20 X .75 FHCS	61
18	352125-1	1/4-20 RIVET NUT 22 GA-10GA	69
19	352125-3	RIVET NUT 0.5-13, .063 - .200	2
20	352127-1	10-24 RIVET NUT	12
21	352127-3	10-32 RIVET NUT	8
22	410600-102	CB CABLES	1
23	439-000	.25-20 X 1 HHB	4
24	466-000	.25-20X.75 HHB	2
25	479-000	LOCK WASHER, .25" SPLIT	4
26	484-000	#10 LOCKWASHER SPLIT	12
27	488-000	FLAT WASHER .25 X .5625 .0468	4
28	50766-000	NEMA 5-20R DUPLEX RECEPTACLE	1
29	511-000	#8 FLATWASHER	2
30	57580-000	.5-13X2.0 HHB	2
31	58061-002	ALUMINUM MECHANICAL LUG, TWO CONDUCTOR	2
32	58684-038	EDGE TRIM 34 INCH	1
33	598-000	#10 WASHER	12
34	62486-000	GROMMET 1 X 1.375	2
35	636-000	LOCKWASHER 1/2 SPLIT	2
36	80126-006	CT 1000:5	3
37	91498-000	DECAL-DANGER HIGH VOLTAGE 3.5x5	1
38	93402-003	HOLE PLUG 1.00IN DIA	1
39	9362-000	10-24X1	12
40	95985-000	#8-32 NYLOK HEX NUT	2

Receptacle Box Continued



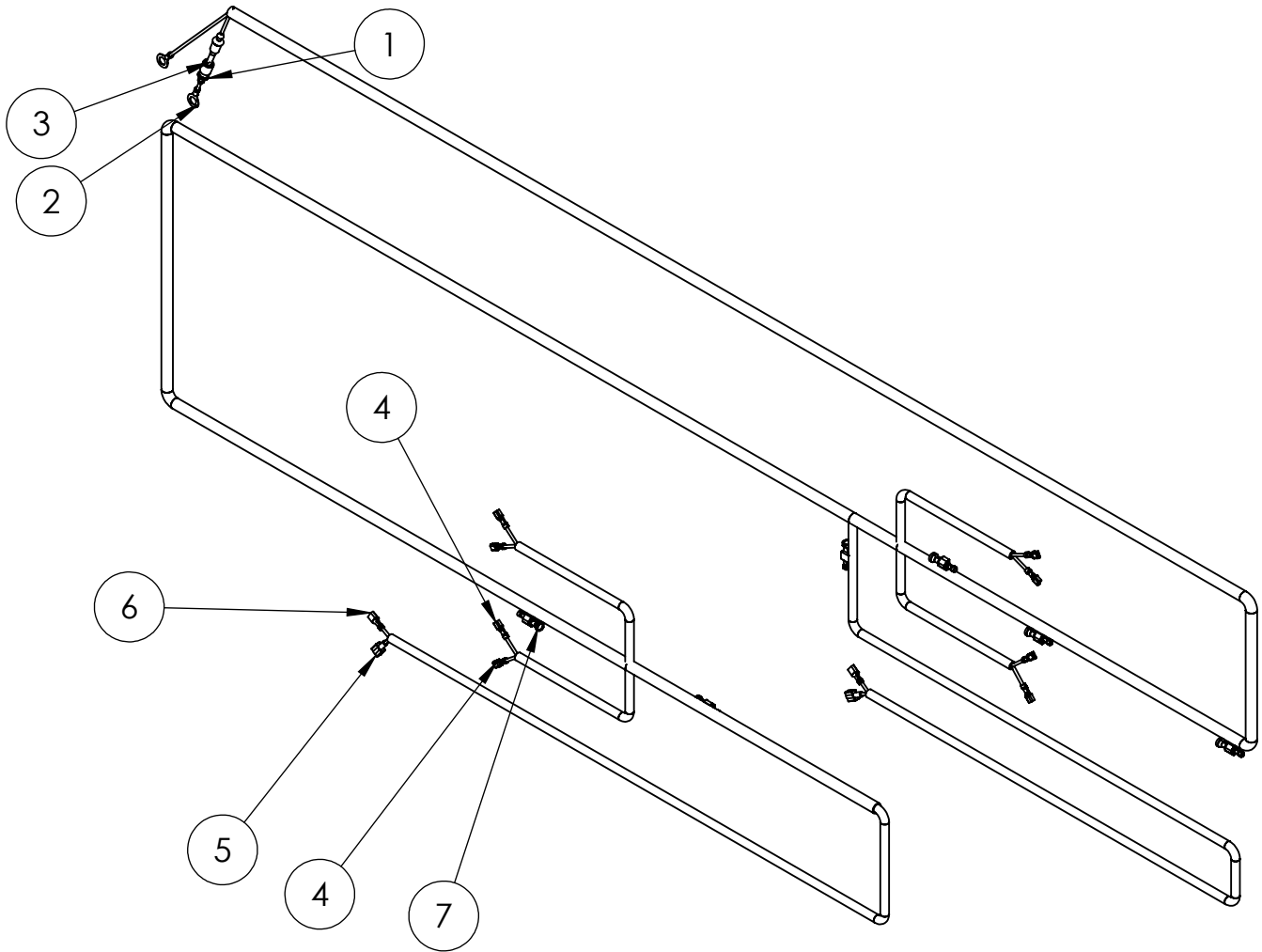
f	PART NUMBER	DESCRIPTION	QTY.
1	1000-0328	DR600 CB BOX, LEFT SIDE CONFIGURATION, -03, -04, -17	1
2	81097-074	CIR. BRK. R-FRAME 3PH-2500A-600V	1
3	1000-0327	DR600 CB COVER, LEFT SIDE CONFIGURATION	1
4	352125-2	RIVET NUT 1/4-20 .165-.260	11
5	466-000	.25-20X.75 HHB	8
6	479-000	LOCK WASHER, .25" SPLIT	8
7	62486-000	GROMMET 1 X 1.375	4
8	1000-0197	LATCH ACCESS PANEL	1
9	21698-001	TORX PAN HEAD SCREW #10	4
10	91658-001	HHCS 3/8-16X1	4
11	526-000	WASHER ID .375 OD .890	8
12	16250-000	.375-16 FLANGE NUT	8
13	80126-007	CURRENT TRANSFORMER, 2500:5	3
14	21867-000	FLAT WASHER	4
15	636-000	LOCKWASHER 1/2 SPLIT	26
16	48178-000	HHCS 1/2-13 X 1	8
17	94378-003	STANDOFF INSULATOR, 2" HEIGHT, 1/2"-13 THREAD, ALUMINUM INSERT, 600V	4
18	1000-0329	HIGH CURRENT BUSS BAR	2
19	1744-000	NUT HEX 1/2-13	17
20	1516-000	.5-13X1.25 HHB	6
21	64704-000	TERM., RING, 4/0AWG, 1/2" STUD	50
22	1000-0330	208V CB BOX EDGE TRIM	1
23	91498-000	DECAL-DANGER HIGH VOLTAGE 3.5x5	1
24	15750-000	GROUND DECAL (WHITE LETTERS)	1
25	63941-005	DECAL-CIRCUIT REMAINS ENERGIZED	1
26	57580-000	HHCS 1/2-13 X 1.5 GR5	12
27	512-000	.25 WASHER	8
28	2000-0153	RISER, R FRAME BREAKERS	1
29	21594-000	HHCS .375-16 X 2	4

LED Light Assembly



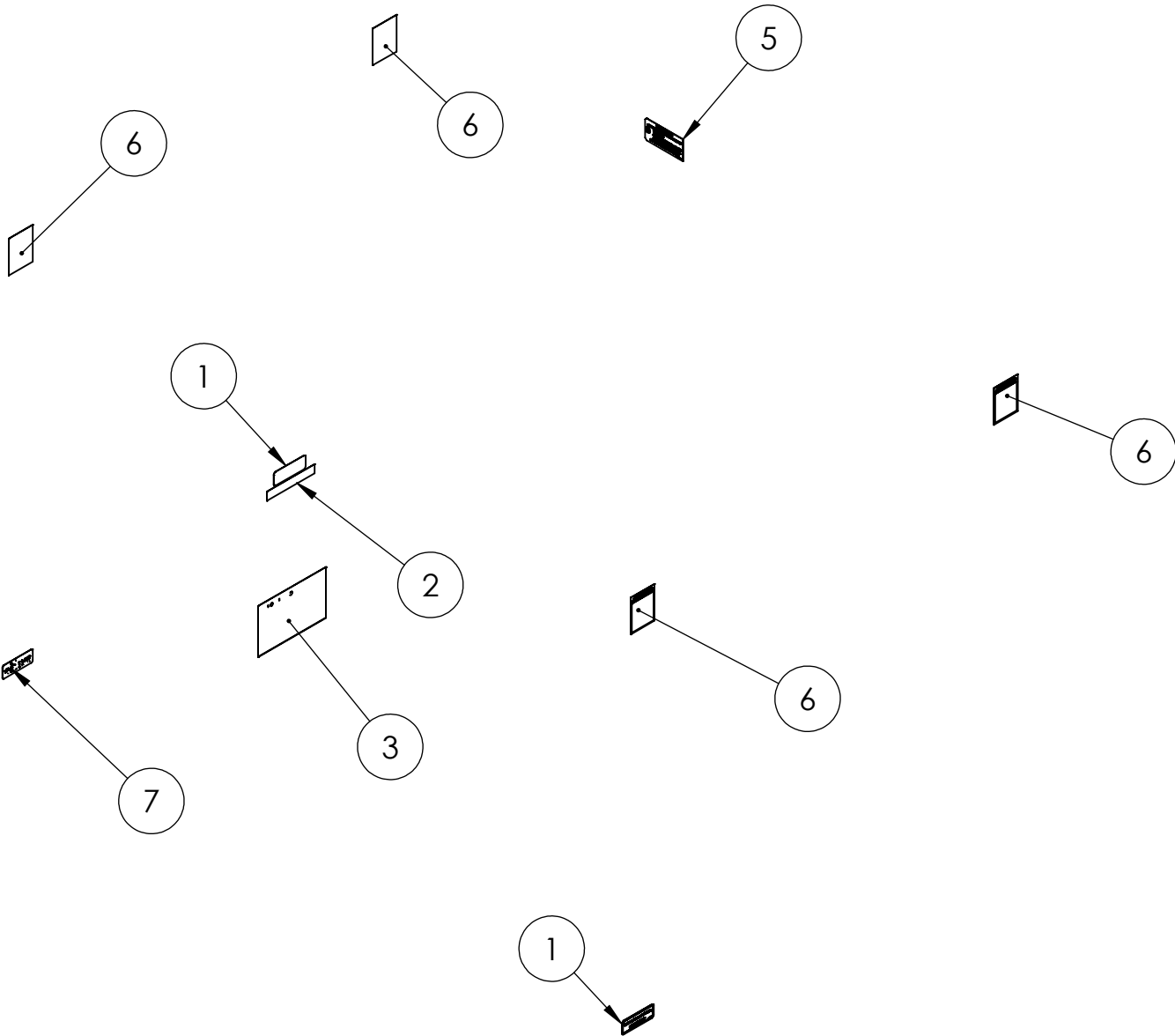
ITEM NO.	PART NUMBER	DESCRIPTION	QTY.
1	65010-003	8MM LED TAPE TO WIRE CONNECTOR	1
2	48602-004	TERMINAL MALE 16-14 AWG .250 TAB	1
3	48602-003	TERMINAL FEMALE 16-14 AWG .250 TAB	1
4	65010-002	IP20 24V LED FLEX STRIP 6300K CUT TO 100 INCH	1

LED Light Assembly



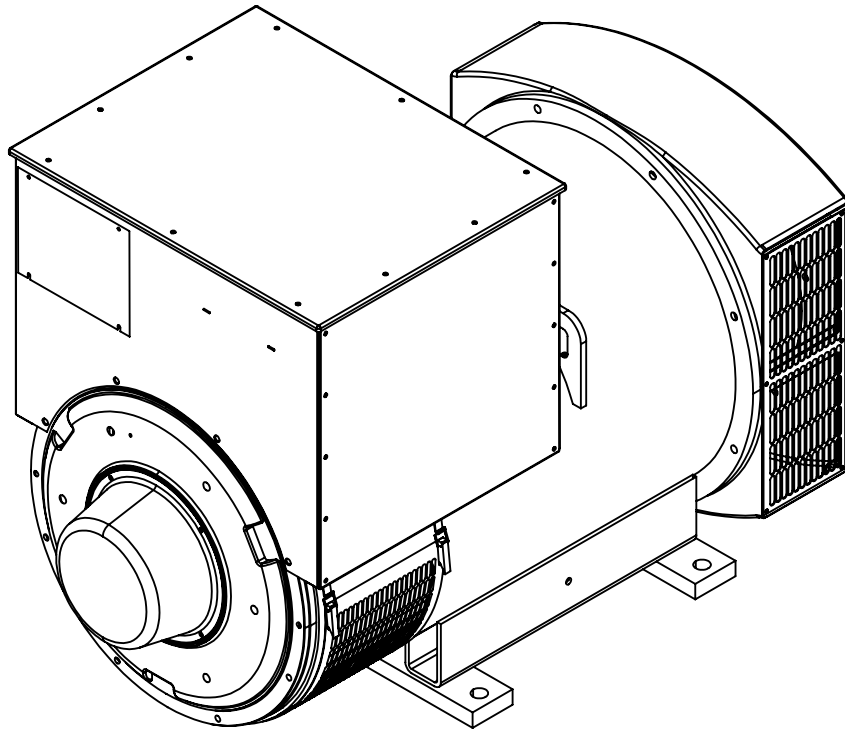
ITEM NO.	PART NUMBER	DESCRIPTION	QTY.
1	2489-004	IN-LINE FUSE HOLDER FEMALE END	1
2	7547-000	TERMINAL RING 16/14AWG .375 STUD	2
3	95064-009	FUSE AGC 5 AMP	1
4	48602-024	TERMINAL FEMALE 16-14AWG .187	8
5	48602-004	TERMINAL MALE 16-14 AWG .250 TAB	2
6	48602-003	TERMINAL FEMALE 16-14 AWG .250 TAB	8
7	48602-011	TERM MALE 12-10AWG .250X.032	6

Decals



ITEM NO.	PART NUMBER	DESCRIPTION	QTY.
1	97381-001	DECAL-DIESEL FUEL ONLY	2
2	15209-003	UL-DECAL ELECTRICAL SHOCK CAN KILL	1
3	16505-011	NAME PLATE	1
4	16506-004	NAME PLATE OVERLAY	1
5	60710-097	TAG OIL WARNING	1
6	97813-000	DECAL-WARNING CYCLE CRANK	4
7	63941-003	DECAL-WARNING NO SPARK	1

Generator

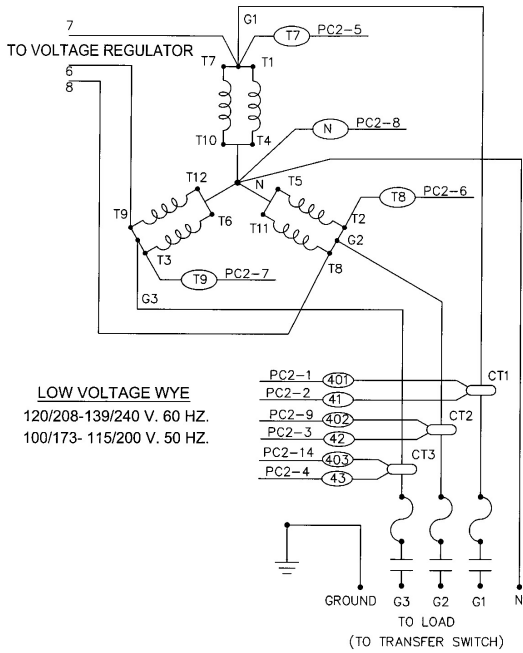


GENERATOR END(AVR Excitation)		
DESCRIPTION	PART NUMBER	QTY.
DIODE REPAIR KIT	8-112	1
VOLTAGE REGULATOR, MX341-UL	8-111	1
PMG FUSE	8-113	3

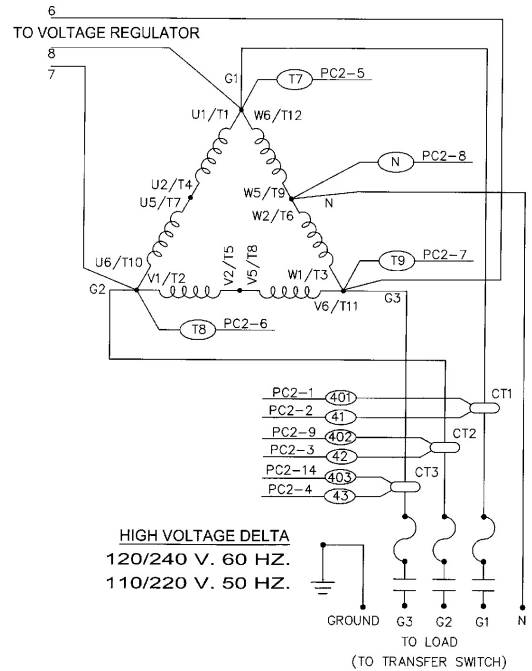
EXPECTED RESISTANCE (Ω)@ 22°C (+/-10%)			
MODEL	HCI534D	HCI534E	HCI534F
STATOR WINDING (PER PHASE SERIES CONNECTED)	0.0049	0.0043	0.0037
ROTOR WINDING	1.77	1.96	2.16
EXCITER STATOR	17	17	17
EXCITER ROTOR (L- L)	0.092	0.092	0.092

Generator Connections

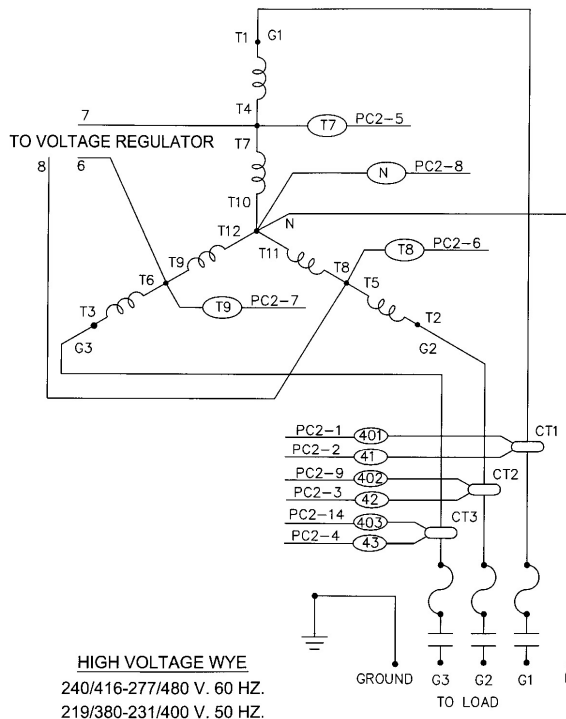
THREE PHASE-LOW WYE 120/208 VOLTS



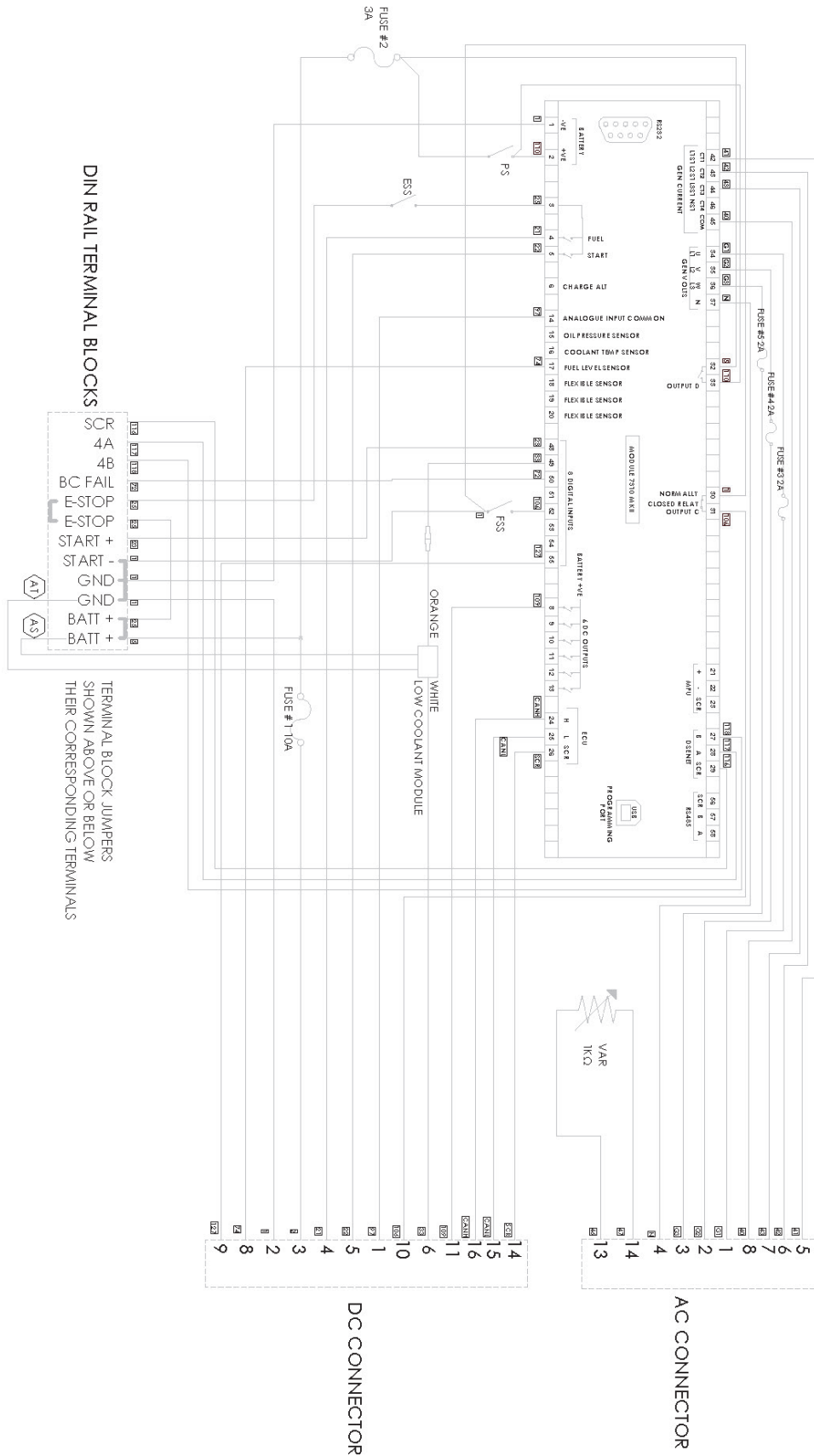
THREE PHASE -DELTA 120/240 VOLTS



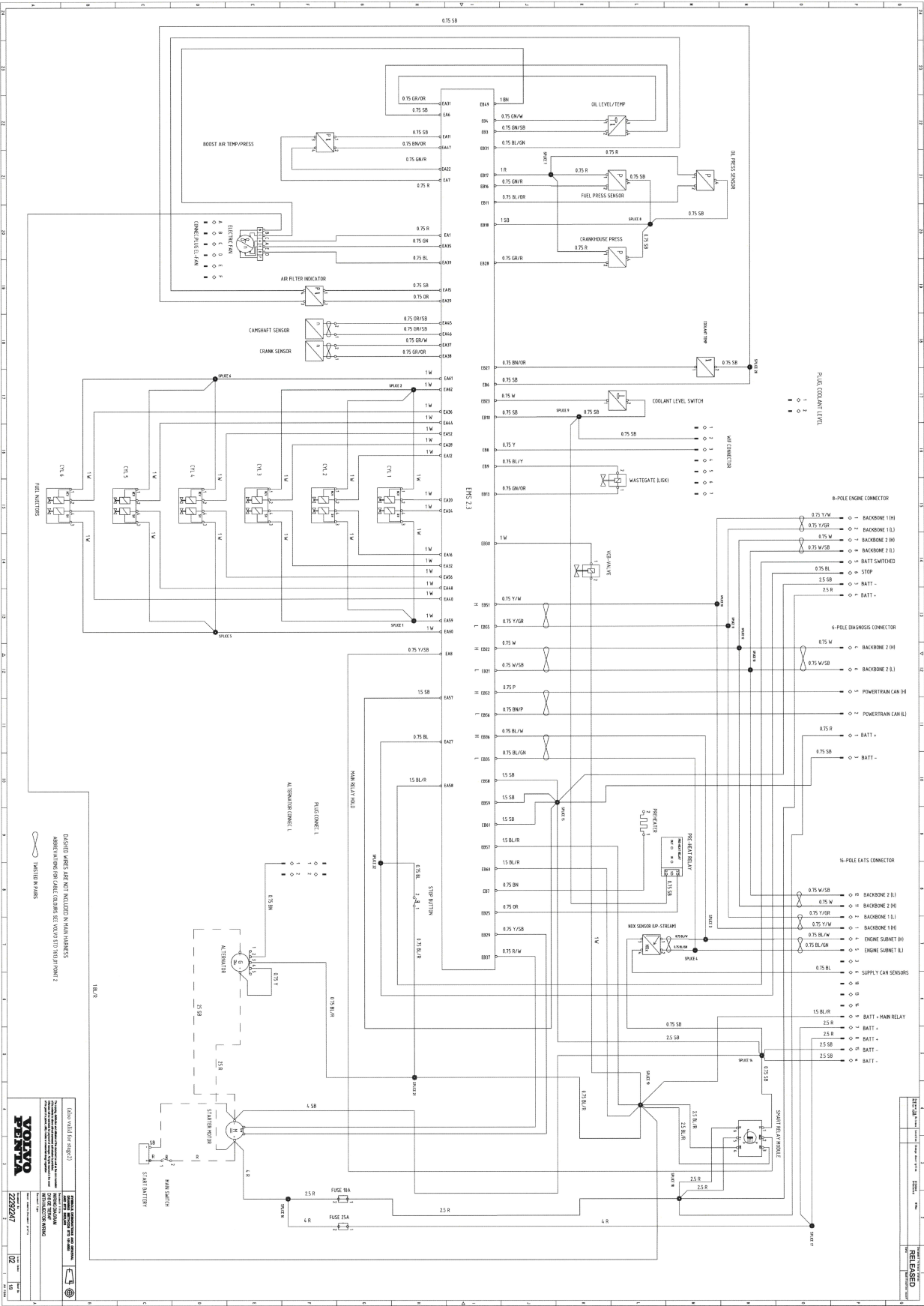
THREE PHASE-HIGH WYE 277/480 VOLTS



Generator Control Schematic



Engine Wiring Schematic



(Data valid for page 2)
YONIA PENTIA
 229247
 02
 18

RELEASED
 18