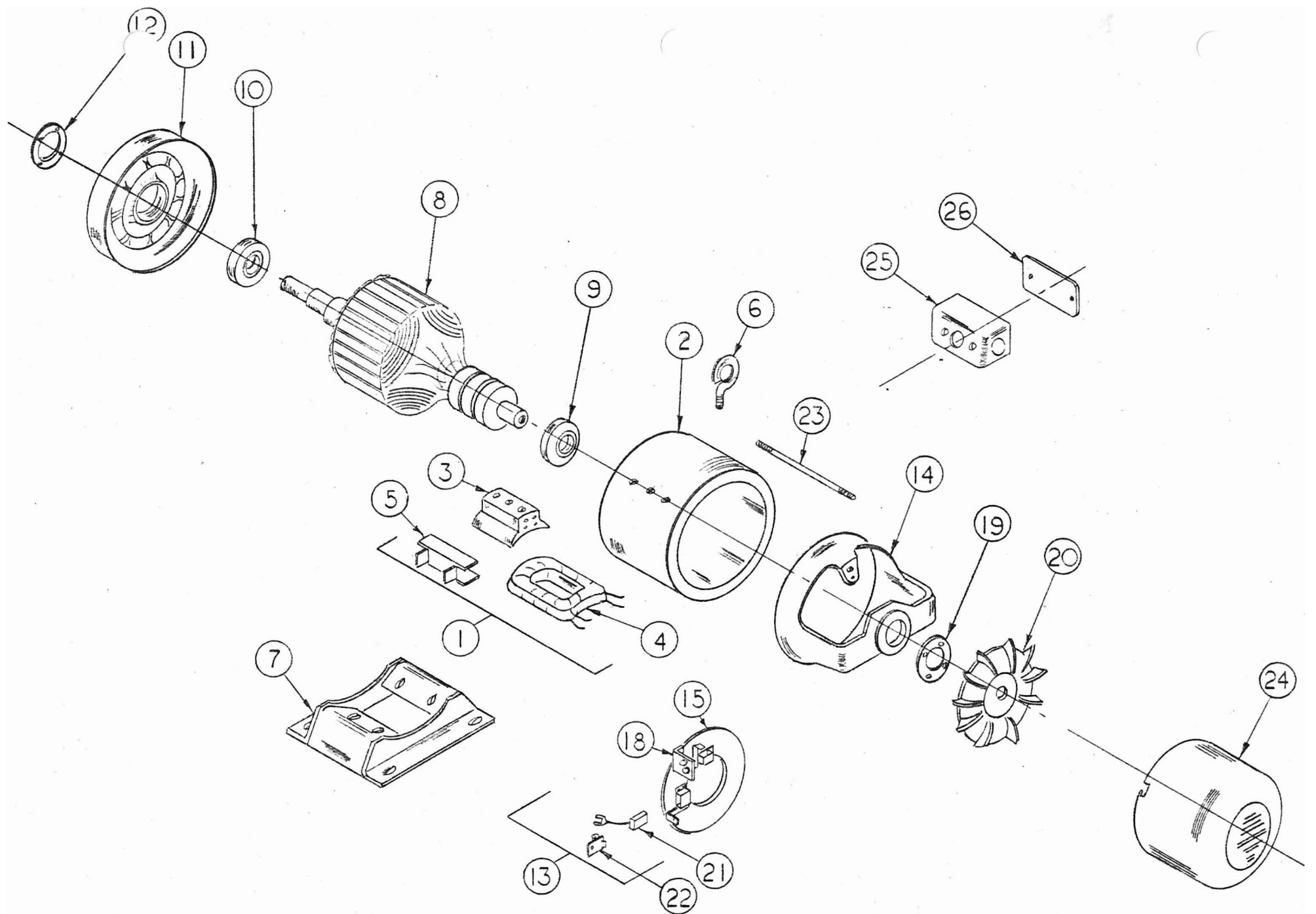


PARTS LIST
FM5V4-C
FM5V4-D

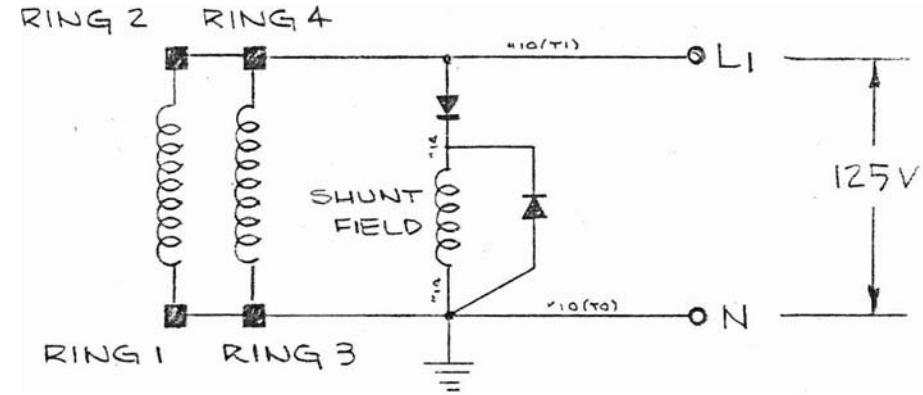
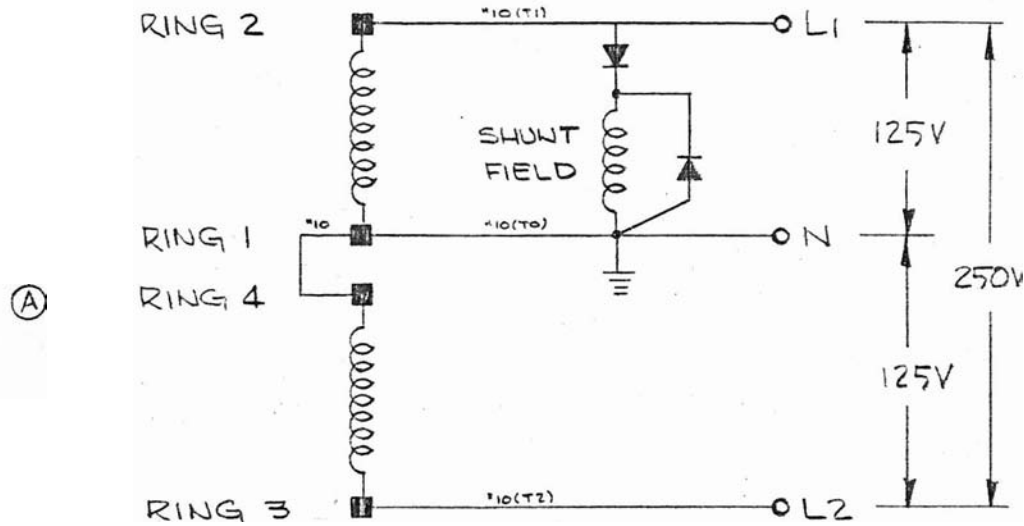
| <u>FIND NO.</u> | <u>PART NO.</u> | <u>DESCRIPTION</u> | <u>REQ'D/UNIT</u> |
|-----------------|-----------------|----------------------------|-------------------|
| 1 | G-5559 | Field Frame Assy (FM5V4-C) | 1 |
| 1 | G-5559-3 | Field Frame Assy (FM5V4-D) | 1 |
| 2 | S-6639 | Field Frame | 1 |
| 3 | G-5558 | Field Pole | 4 |
| 4 | H-1042 | Field Coil (FM5V4-C) | Set of 4 |
| 4 | H-1071 | Field Coil (FM5V4-D) | Set of 4 |
| 5 | J-569 | Coil Shield | 8 |
| 6 | S-859 | Lift Ring | 1 |
| 7 | G-4649 | Base Assy | 1 |
| 8 | G-5562 | Armature Assy (FM5V4-C) | 1 |
| 8 | G-5562-3 | Armature Assy (FM5V4-D) | 1 |
| 9 | D-8 | Bearing (Ring End) | 1 |
| 10 | D-4 | Bearing (Drive End) | 1 |
| 11 | I-342 | Drive End Bell | 1 |
| 12 | W-43 | Bearing Retainer | 1 |
| 13 | G-5561 | End Bell Assy W/Brush Ring | 1 |
| 14 | I-773-4 | End Bell | 1 |
| 15 | G-5560 | Brush Ring Assy | 1 |
| 16 | | | |
| 17 | | | |
| 18 | G-5262-1 | Rectifier Assy | 1 |
| 19 | S-6242 | Bearing Retainer | 1 |
| 20 | A-606-1 | Fan | 1 |
| 21 | Y-51 | Brush | 4 |
| 22 | G-3422 | Brush Spring | 4 |
| 23 | S-1755 | Stud | 2 |
| 24 | S-6151-1 | End Hood | 1 |
| 25 | V-1039-1 | Handy Box | 1 |
| 26 | EE-910 | Cover | 1 |
| 27 | S-6681 | Shim - Generator Base | 2 |

Wiring Diagram Z-1984, E-7775 (FM5V4-C)
Wiring Diagram Z-1994, E-7812 (FM5V4-D)
Parts Drawing E-8478



JUN 27 1974

E-8478



125/250 V 1 PHASE OPERATION

125 V 1 PHASE OPERATION

5KW 10" FRAME

| | | | | | | | |
|---|--|---------|-------|---|----------------|----------------|-------------|
| A | RENUMBERED SLIP RINGS WAS 1, 2, 3, 4 | 8-30-68 | T.G. | | | | |
| CHANGE | WAS ORIGINALLY | DATE | CHK'D | CHG. REQUEST | | | |
| TOLERANCE ON DIMENSIONS NOT OTHERWISE SPECIFIED | | | | REMOVE ALL BURRS BREAK ALL SHARP MACHINED EDGES | NO. REQ'D. | MICROFILM DATA | JUL 16 1970 |
| DECIMAL ± FRACTIONAL ± ANGULAR ± | | | | | MATERIAL _____ | | |

| | |
|-----------------------------------|-----------------|
| WIRING DIAGRAM | |
| SCALE ~ | MODEL NO. _____ |
| DATE 8-8-68 | PART NO. Z-1984 |
| DWN T.C.G. | CHK'D _____ |
| WINPOWER MFG. CO. NEWTON, IOWA | |