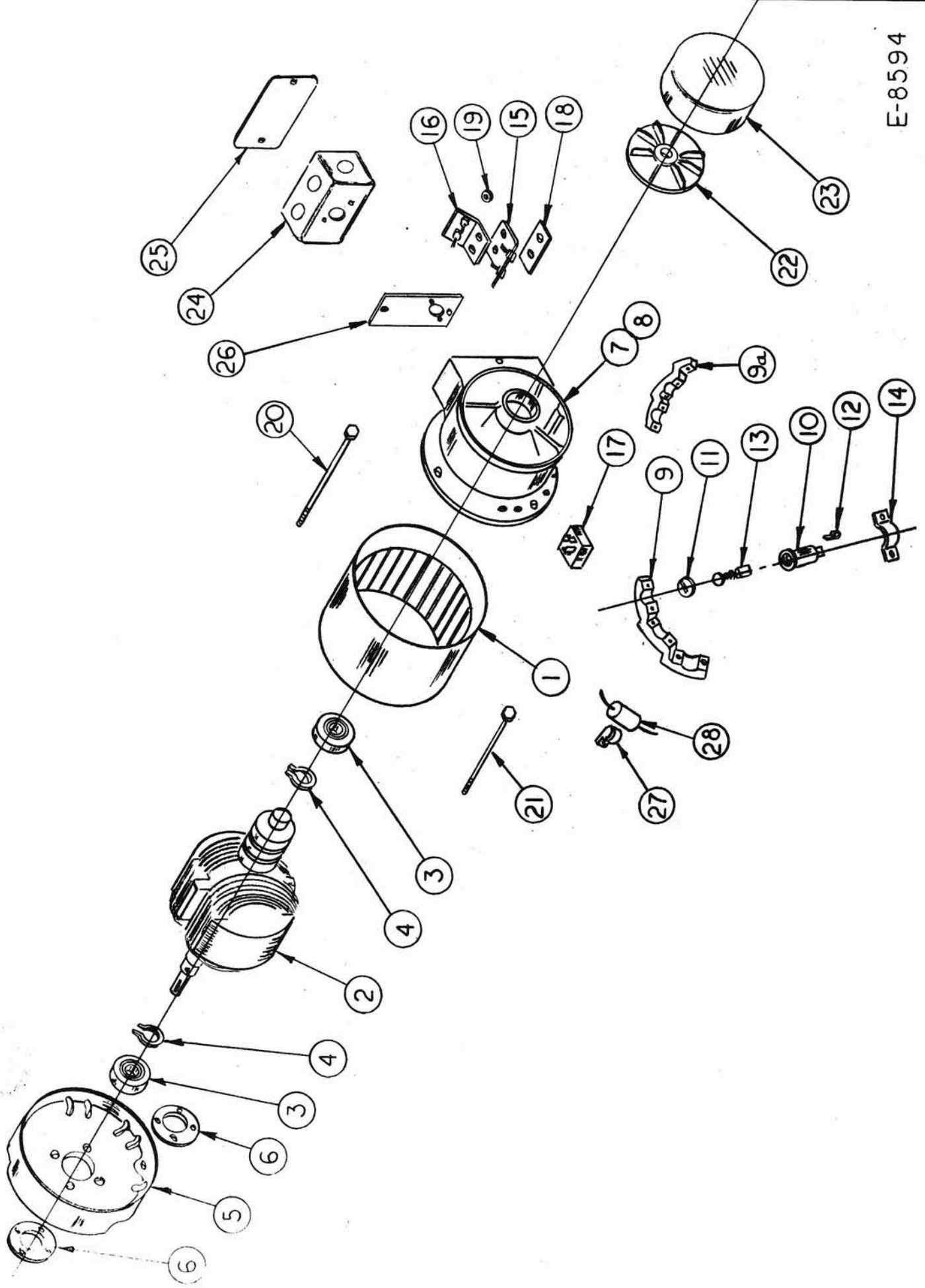


PARTS LIST
FM3V2-B/1
(IOWA MFG. CO)

<u>FIND NO.</u>	<u>PART NO.</u>	<u>DESCRIPTION</u>	<u>REQ'D/UNIT</u>
1	G-5208-9	Stator Frame Assy	1
2	G-5285-2	Rotor Assy	1
3	D-59	Bearing	2
4	11099	Retaining Ring	2
5	A-722-5	Drive End Bell	1
6	S-6242	Bearing Retainer	2
7	G-4799-3	Bearing End Bell Assy	1
8	A-726-3	End Bell	1
9	A-746	Brushholder Bracket	1
9 _a	A-745	Brushholder Bracket	1
10	B-701	Brushholder	5
11	B-701-1	Brushholder Cap	5
12	B-701-2	Brushholder Clip	5
13	Y-114	Brush	5
14	S-6096	Clamp	5
15	G-5298-3	Rectifier Assy (Neg)	1
16	G-5297-3	Rectifier Assy (Pos)	1
17	EE-2177	Rectifier Assy (Shunt)	1
18	J-545	Board, Insulating	1
19	J-546	Bushing	4
20	4074-2	Screw 1/4-20 x 7-1/4	1
21	4074-4	Screw 1/4-20 x 6-1/4	3
22	A-727	Fan	1
23	V-1059	End Hood	1
24	V-1085	Handy Box	1
25	EE-910	Cover	1
26	S-6982-1	Cover Plate	1
27	J-613	Clamp	1
28	EE-1540	Capacitor	1

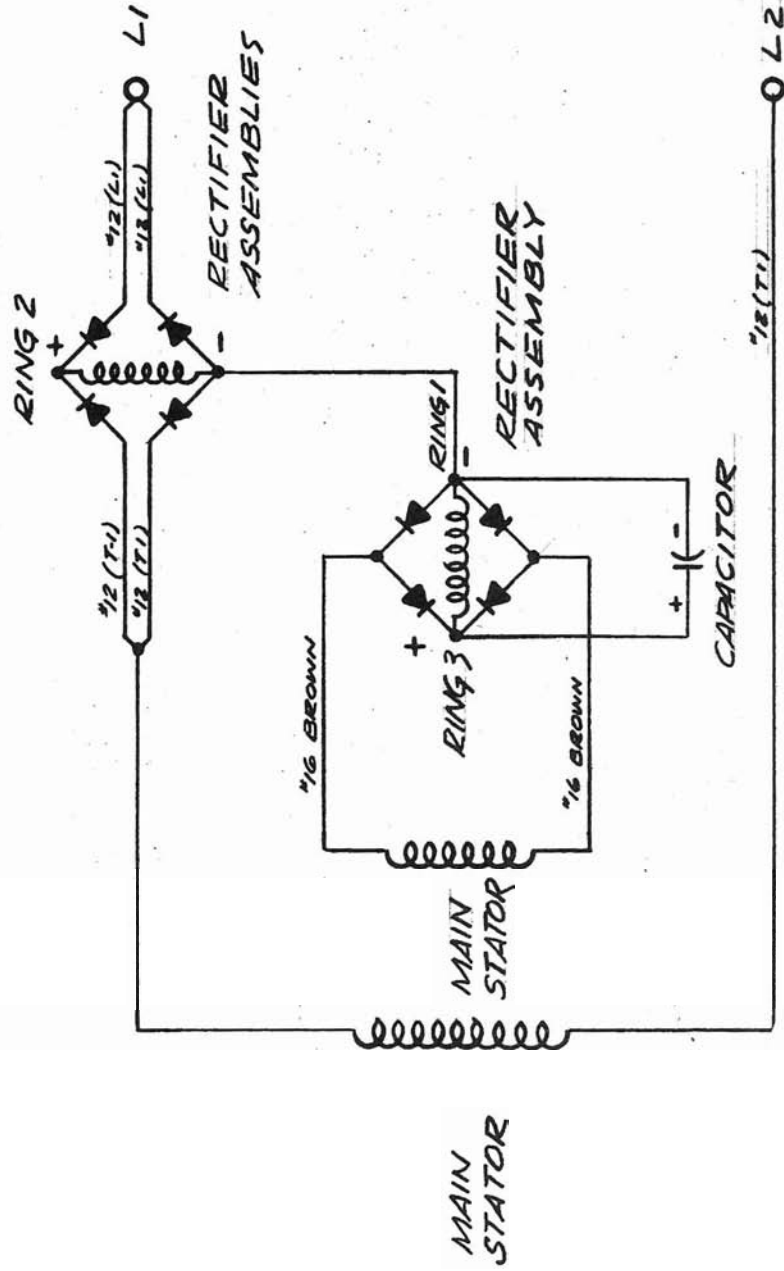
Wiring Diagram E-7374
Parts Drawing E-8594

E-8594



E-8594

E-7374



IOWA MANUFACTURING CO.

WIRING DIAGRAM

SCALE ~	MODEL NO.
DATE 7-29-71	PART NO. 210
DWN T.C.G.	CHK'D
WINPOWER MFG. CO. NEWTON, IOWA	

E-7374