

3-77-700

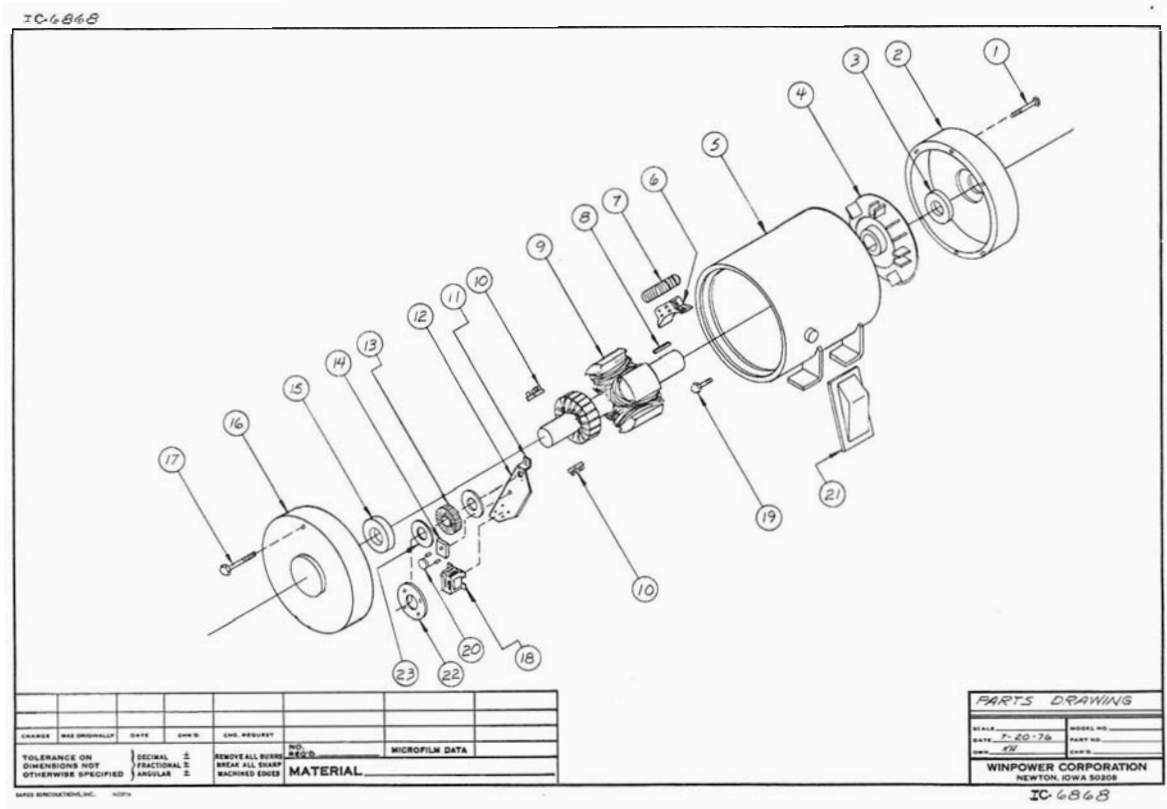
| REF. NO. | PART NO. | PART DESCRIPTION | REQ'D/UNIT |
|----------|-----------|------------------------|------------|
| 1 | 3600-2 | Bolt | 4 |
| 2 | G-6254-1 | Drive End Bell | 1 |
| 3 | D-82 | Bearing | 1 |
| 4 | G-6122 | Fan | 1 |
| 5 | G-6299-23 | Stator Assembly | 1 |
| 5A | G-6356 | Stator, Electrical | 1 |
| 5B | G-6354-3 | Stator Housing | 1 |
| 6 | G-6139 | Field Pole | 4 |
| 7 | H-1128 | Field Coil | 4 |
| 8 | S-2056-26 | Key | 1 |
| 9 | G-6258-4 | Rotor | 1 |
| 10 | G-6350 | Rectifier | 2 |
| 11 | S-7513 | Mounting Board Bracket | 3 |
| 12 | S-7618 | Mounting Board | 1 |
| 13 | EE-1994 | Transformer | 1 |
| 14 | G-6388 | Rectifier | 1 |
| 15 | D-16-1 | Bearing | 1 |
| 16 | G-6253-1 | Exciter End Bell | 1 |
| 17 | 3599-2 | Bolt | 3 |
| 18 | EE-2031 | Choke | 1 |
| 19 | 11514 | Bolt | 4 |
| 20 | G-6351 | Varistor Assembly | 1 |
| 21 | G-6723 | Panel Assembly | 1 |
| 22 | S-7617 | Hold Down Plate | 1 |
| 23 | J-679 | Insulator | 2 |

PL-1625 Parts List

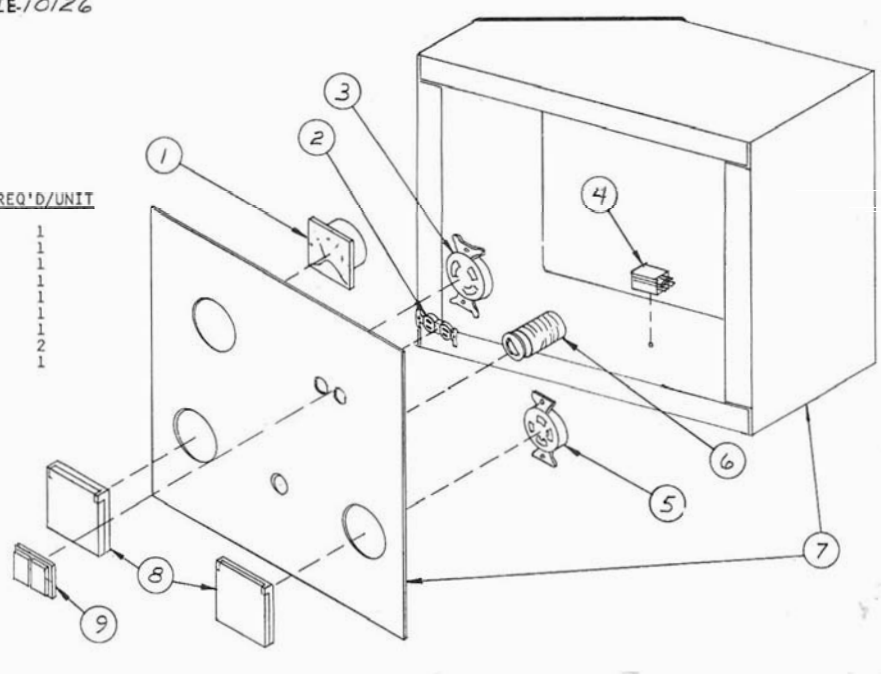


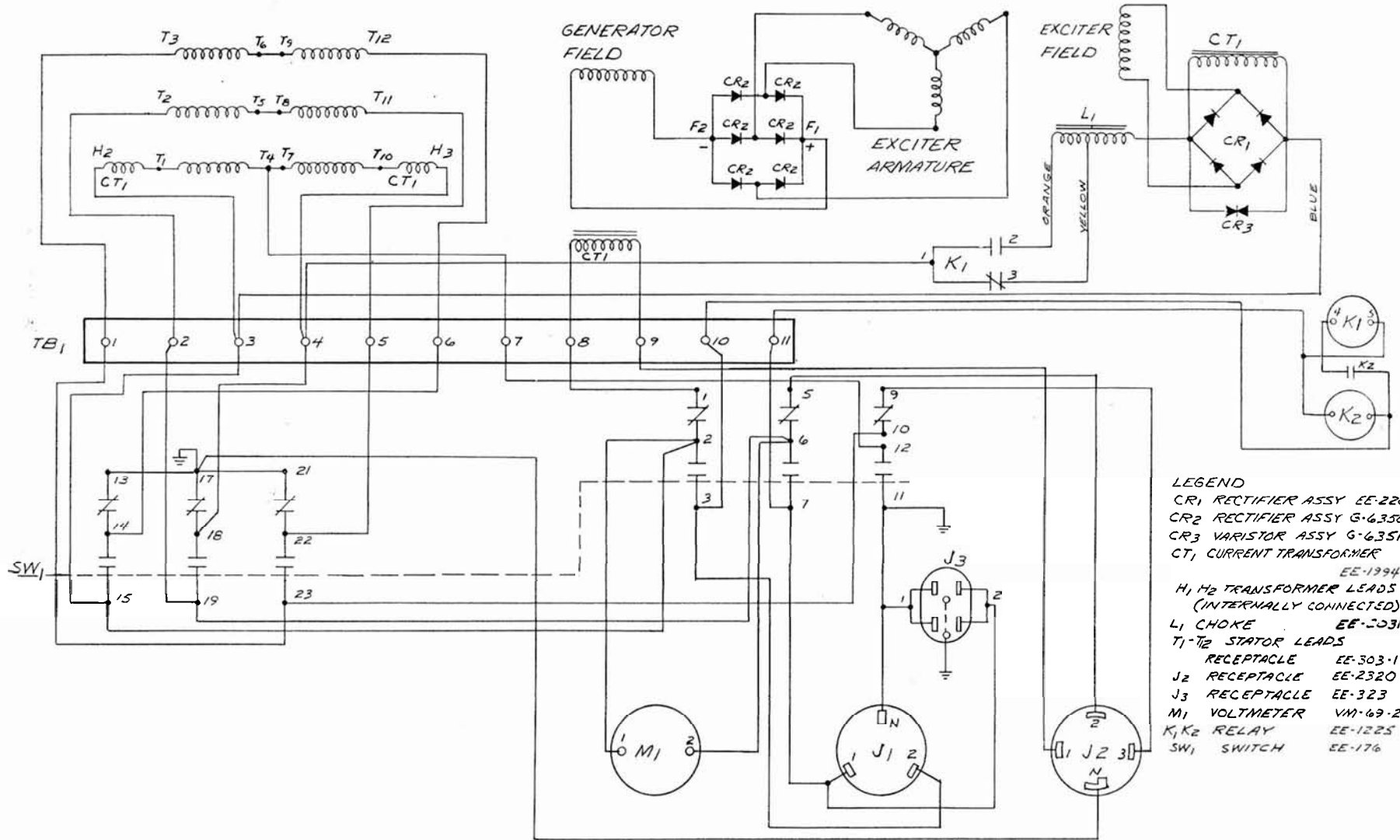
WINPOWER CORPORATION

Model FIM10V4-L/C Type I
 10 KW 12.5 KVA .8 P.F. 60 HZ
 1 & 3 Phase 15.04 Amps 12 Wire
 277/480 Volts 105°C Rise
 120/240
 Wiring Diagram IC-6875
 Released: 1-5-77



| REF. NO. | PART NO. | PART DESCRIPTION | REQ'D/UNIT |
|----------|----------|--------------------------|------------|
| 1 | VH-69-2 | Voltmeter | 1 |
| 2 | EE-323 | 15 Amp Duplex Receptacle | 1 |
| 3 | EE-2320 | 20 Amp Receptacle | 1 |
| 4 | EE-1225 | 240 Volt Relay | 1 |
| 5 | EE-303-1 | 50 Amp Receptacle | 1 |
| 6 | EE-176 | 70 Amp Selector Switch | 1 |
| 7 | S-8307 | Panel Box | 1 |
| 8 | EE-1906 | Weather Proof Cover | 2 |
| 9 | EE-1905 | Weather Proof Cover | 1 |





| CHANGE | WAS ORIGINALLY | DATE | CHK'D | CHG. REQUEST | NO. REQ'D. | MICROFILM DATA |
|---|----------------|------|-------|---|------------|----------------|
| | | | | REMOVE ALL BURRS BREAK ALL SHARP MACHINED EDGES | | |
| TOLERANCE ON DIMENSIONS NOT OTHERWISE SPECIFIED | | | | DECIMAL ± | | |
| | | | | FRACTIONAL ± | | |
| | | | | ANGULAR ± | | |
| MATERIAL | | | | | | |

NOTE:
THIS DIAGRAM COVERS ONLY THE CORE & SECONDARY WINDING OF TRANSFORMER (CT1) EE-1994 SEE PICTORIAL SENSING DIAGRAM FOR DATA ON PRIMARY WINDING

| WIRING DIAGRAM | |
|---|------------------|
| SCALE ~ | MODEL NO. |
| DATE 8-17-76 | PART NO. IC-6875 |
| DWN KH | CHK'D JPC |
| WINPOWER CORPORATION NEWTON, IOWA 50208 | |

IC-6875