



ILLUSTRATED PARTS LIST

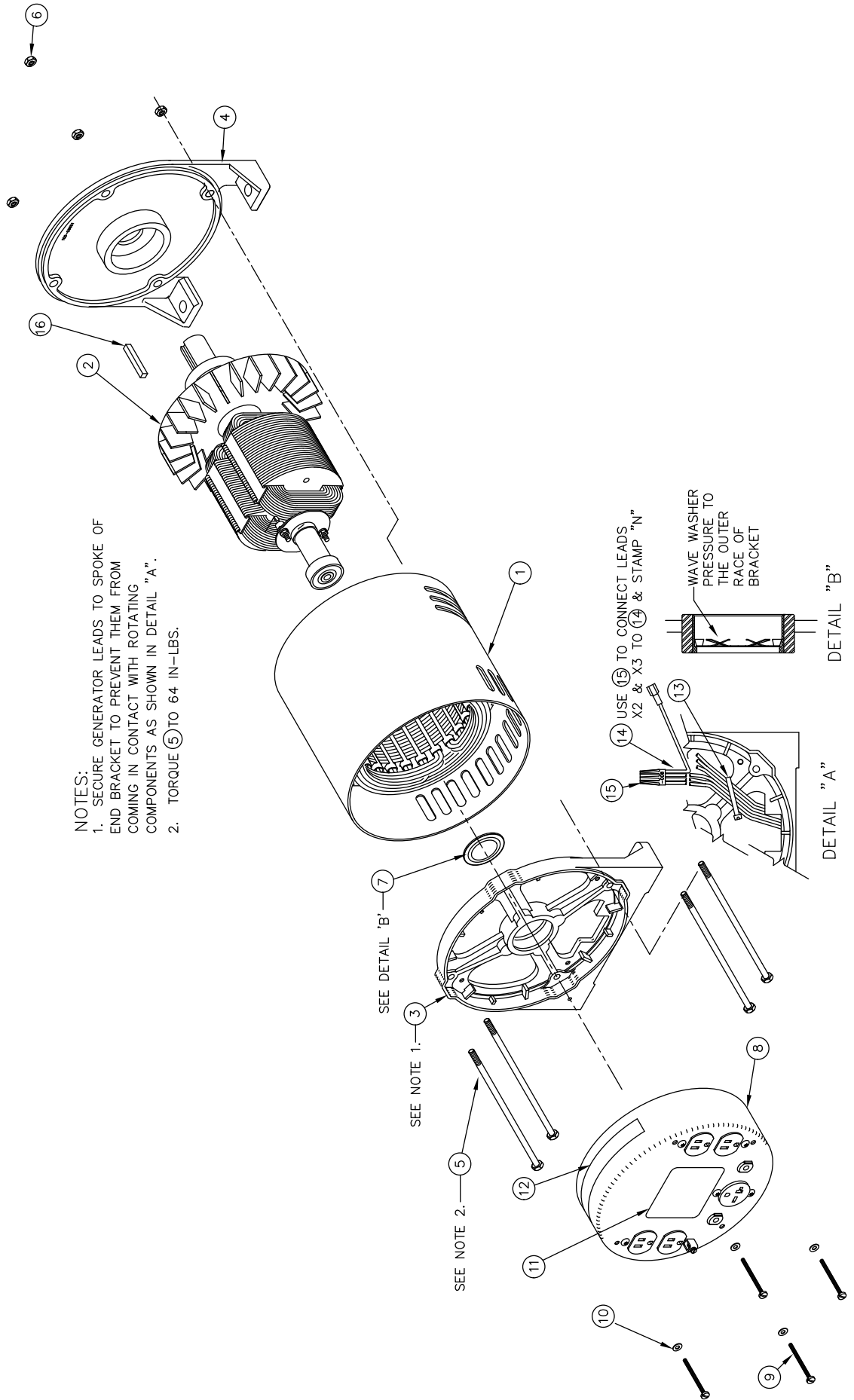
TB6000C/C

225 S. CORDOVA AVE.
LECENTER, MN 56057
507-357-6821
SERVICE DEPT.
507-357-6831
wincogen.com

COMPLETE ASSEMBLY

NOTES:

1. SECURE GENERATOR LEADS TO SPOKE OF END BRACKET TO PREVENT THEM FROM COMING IN CONTACT WITH ROTATING COMPONENTS AS SHOWN IN DETAIL "A".
2. TORQUE ⑤ TO 64 IN-LBS.



REF #	PART NUMBER	QTY	DESCRIPTION
1	15622-000	1	Stator Assembly
2	15592-000	1	Rotor Assembly
3	15561-001	1	Bearing Bracket
4	15577-002	1	Drive End Bracket
5	15530-004	4	1/4"-20 Through Bolt
6	16248-000	4	1/4"-20 Flange Nut
7	16174-000	1	Wave Washer
8	16342-000	Reference	End Cover Assembly
9	15013-000	4	10-32 X 3.5" Screw
10	21975-000	4	# 10 Lock Washer
11	63966-007	1	Name Plate
12	15209-000	1	Danger Decal
13	49975-011	1	Cable Tie
14	91845-012	1	Lead Wire Assembly
15	96936-008	1	Wire Nut
16	44208-000	1	1/4" x 1.75" Square Key

GENERATOR SPECIFICATIONS:

Stator Windings:

X1 to X3 (Neutral) .24 Ohms

X2 to X4 (Neutral) .24 Ohms

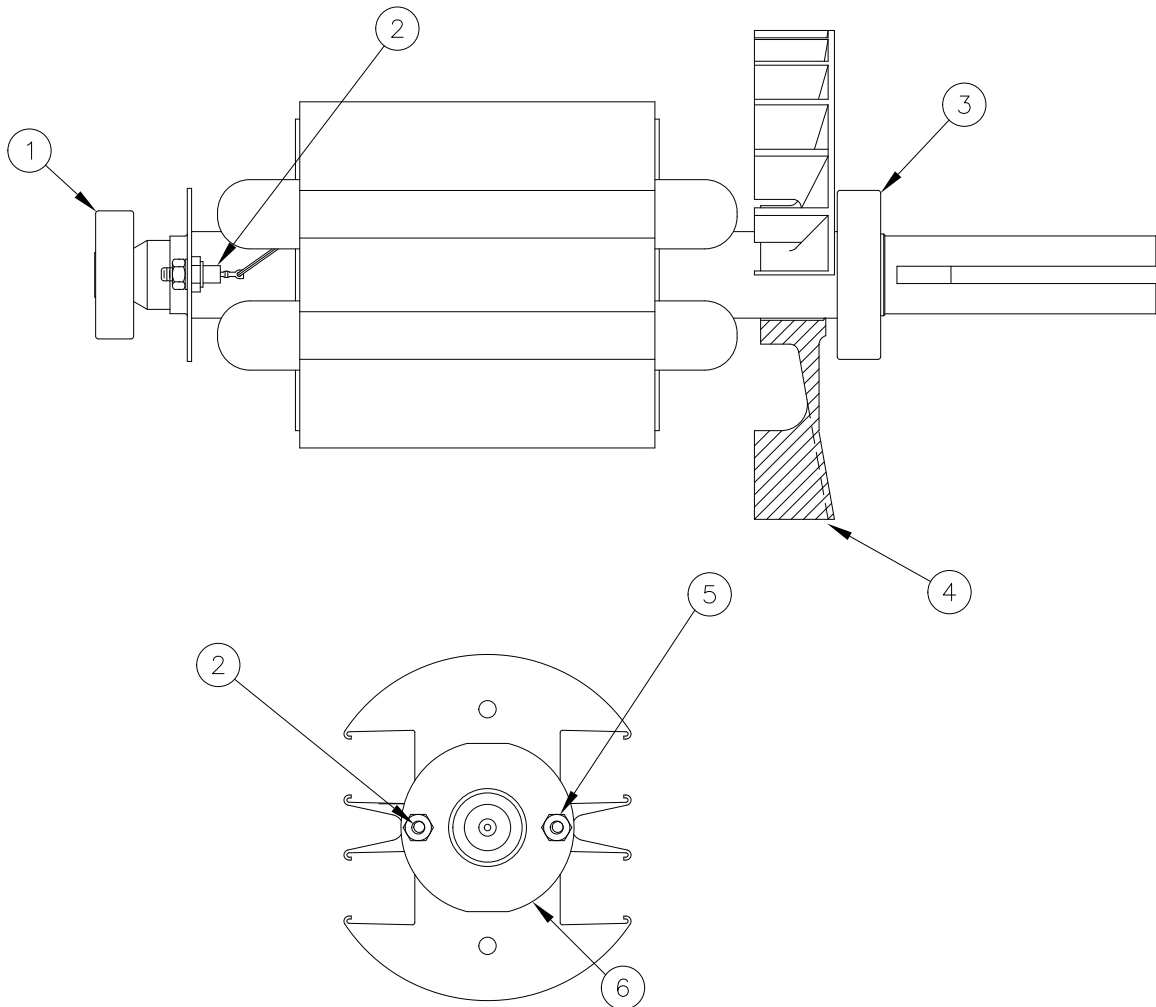
Capacitor (Un-Marked) Leads .55 Ohms

Rotor Resistance 0.95 - 1.05 Ohms

Winding Spec. # SS1532

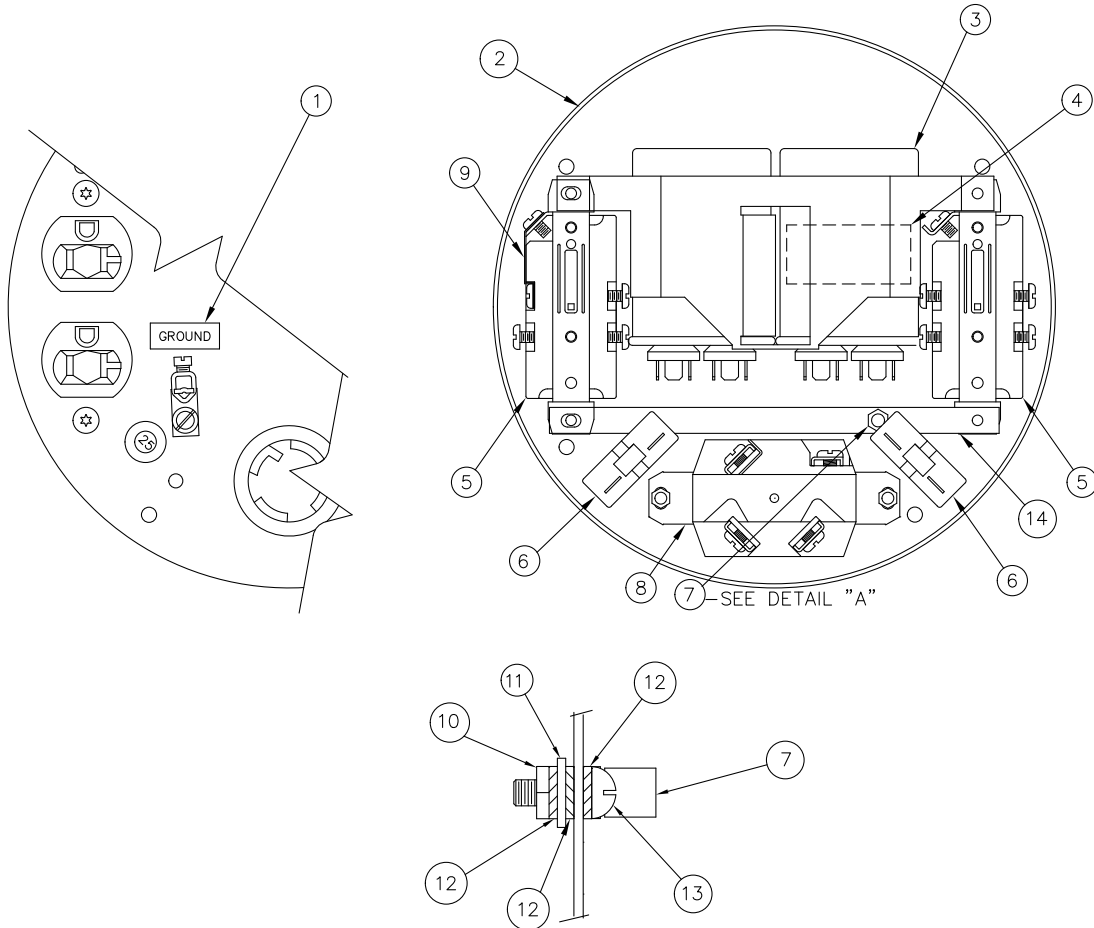
AC Residual Volts 7.0 VAC G1 - N

ROTOR ASSEMBLY



REF #	PART NUMBER	QTY	DESCRIPTION
1	50215-000	1	Bearing (6303)
2	15047-001	1	Standard Polarity Diode
3	64562-000	1	Bearing (6206)
4	15136-002	1	Fan
5	15047-002	1	Reverse Polarity Diode
6	15048-000	1	Diode Retainer

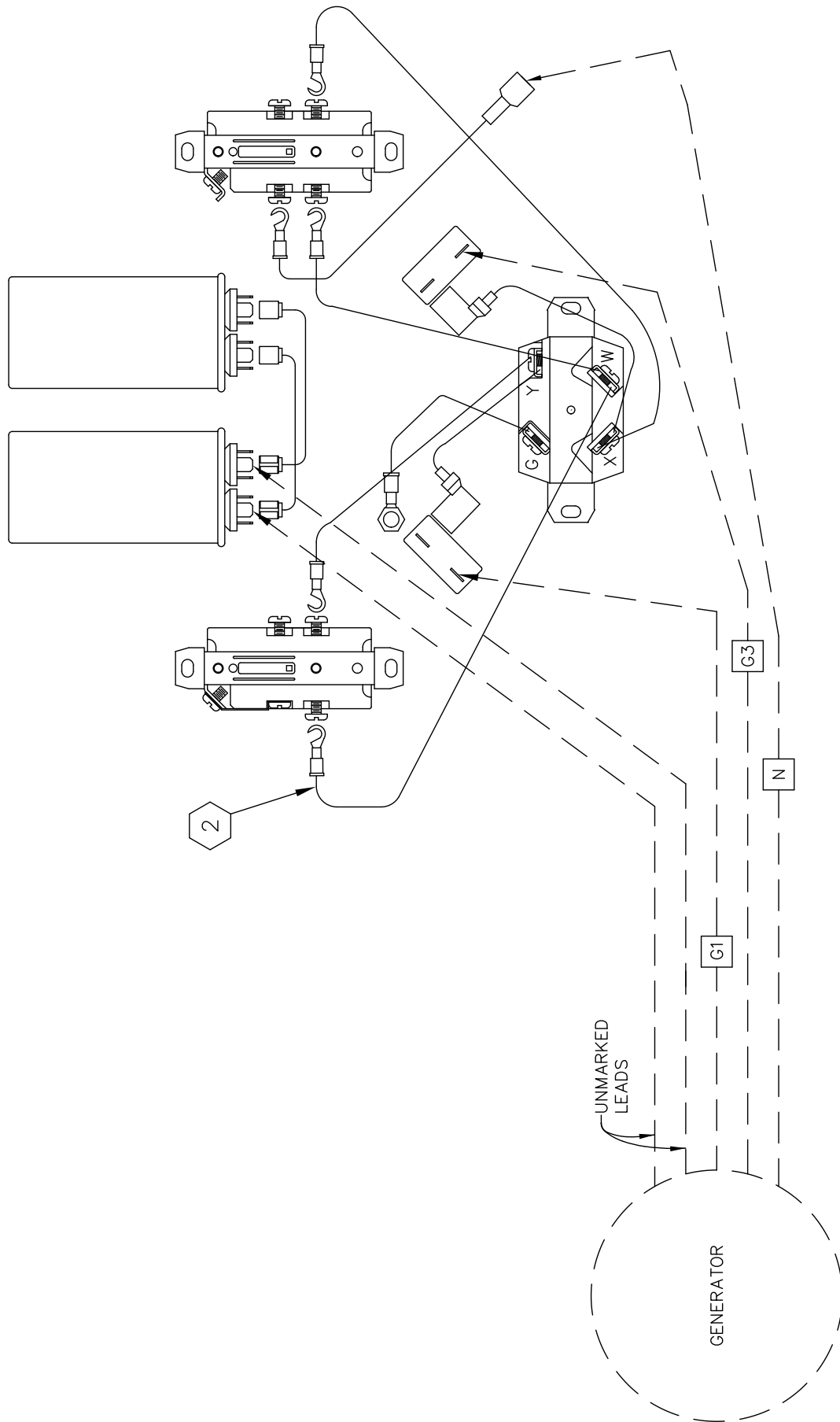
END COVER ASSEMBLY



SECTION "A" - "A"

REF #	PART NUMBER	QTY	DESCRIPTION
1	15750-000	1	Ground Decal
2	15050-002	1	End Cover
3	15051-000	2	40uf 370VAC Capacitor
4	95998-001	2"	Double Sided Tape
5	50766-000	2	NEMA 5-20R Receptacle
6	91286-006	2	25 Amp Circuit Breaker
7	48042-001	1	Ground Lug
8	97360-000	1	NEMA L14-30R Receptacle
9	41387-000	1	Ground Strap
10	59341-000	Reference	Ground Wire
11	48602-029	4	Terminal Lug
12	21975-000	3	External Tooth Lock Washer
13	419-000	1	#10-24 x 1/2" Screw
14	64045-029	1	Mounting Strap

WIRING DIAGRAM



WIRING SCHEMATIC

