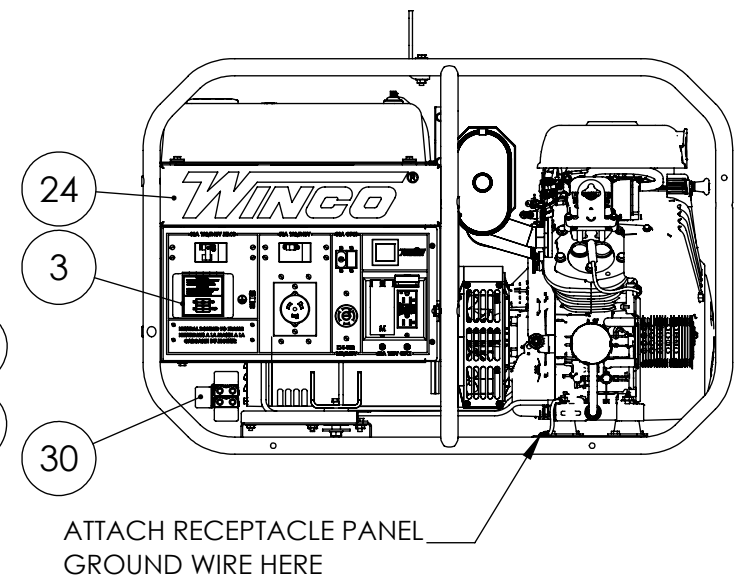
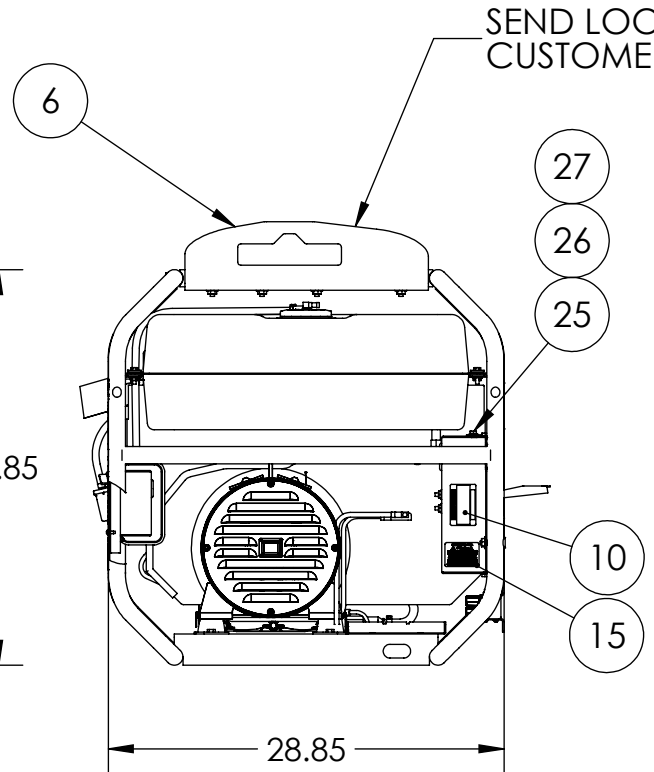
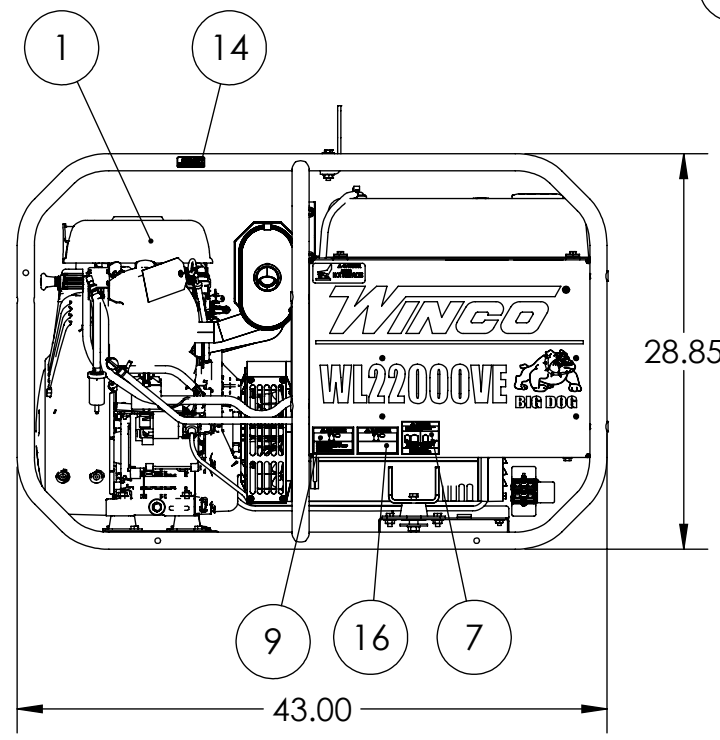
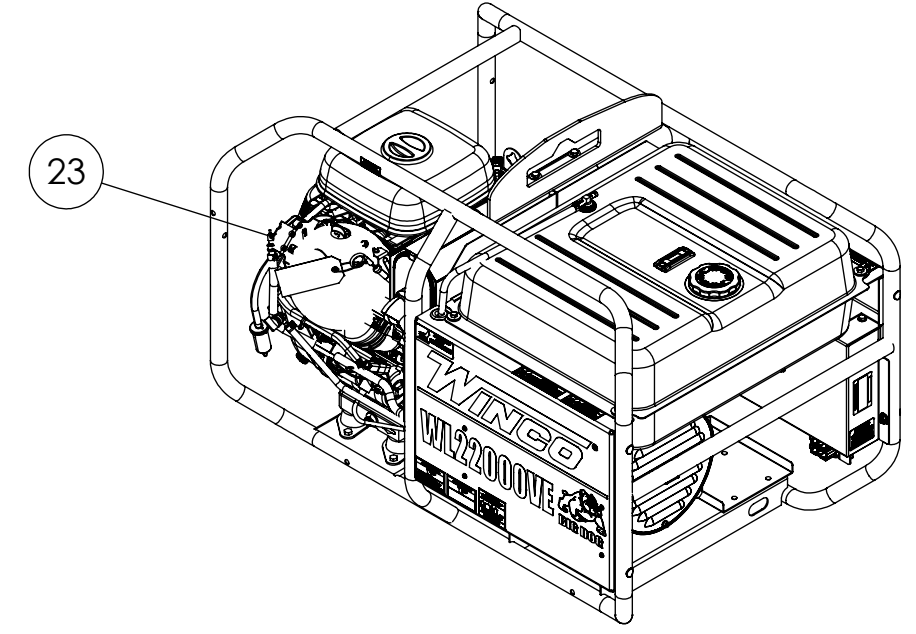
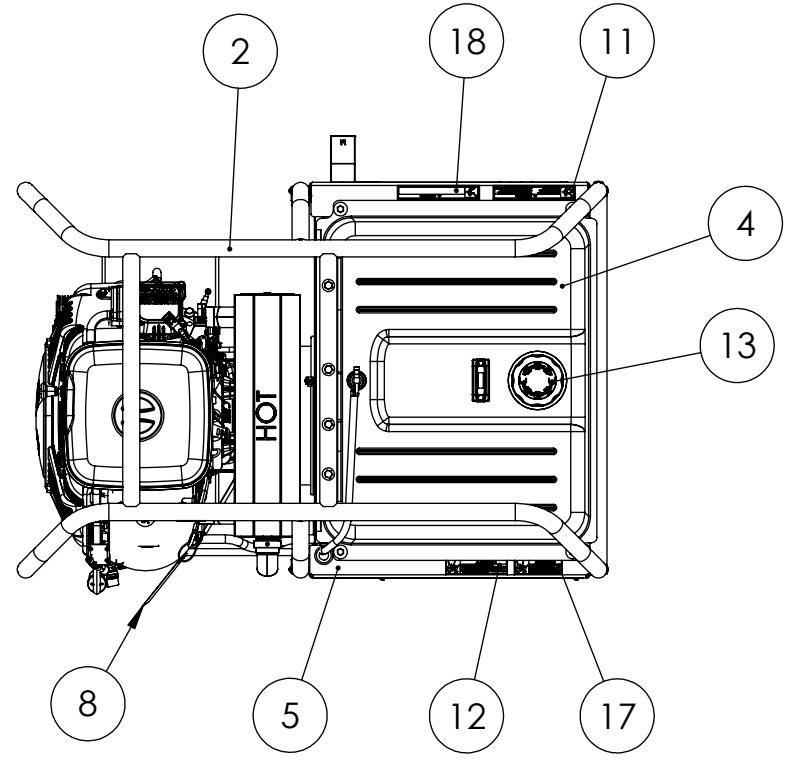


24022-002

REVISIONS					
REV.	IRN	DESCRIPTION	DATE	BY	APP'D
A	P173	ORIGINAL	12/3/2018	SJM	DRD

ITEM NO.	PartNo	DESCRIPTION	QTY.	KIT
1	18000-034	ENGINE GENERATOR ASSEMBLY	1	
2	18000-208	WL22000 HARDWARE KIT	1	
3	15457-087	RECEPTACLE PANEL ASSEMBLY	1	
4	15163-101	FUEL SYSTEM ASSEMBLY	1	
5	300216-41	LEFT SIDE PANEL ASSEMBLY	1	
6	300144-26	LIFTING EYE ASSEMBLY WL22000	1	
7	64918-000	DECAL-DANGER (CO) USE OUTSIDE	1	
8	60710-018	OIL WARNING TAG	1	
9	15209-002	DECAL-DANGER CARBON MONOXIDE	1	*
10	63966-004	NAMEPLATE, WINCO PORTABLE	1	
11	15209-003	UL-DECAL ELECTRICAL SHOCK CAN KILL	1	*
12	15209-001	GASOLINE DECAL	1	*
13	15209-013	DECAL - FUEL TYPE GASOLINE	1	
14	15209-014	DECAL - CHECK OIL	1	
15	15209-036	PROP 65 WARNING DECAL	1	
16	15209-102	DECAL-DANGER CARBON MONOXIDE	1	**
17	15209-101	DECAL, GASOLINE DANGER, FRENCH	1	**
18	15209-103	UL-DECAL ELECTRICAL SHOCK CAN KILL	1	**
19	300515-2	OIL	2.5 QTS	
20	100054-514	BAG 54 X 52 X 60 1.0 MIL	1	
21	100059-000	PALLET, 41X29	1	
22	100047-776	CARTON, 43.5 X 30.5 X 29.5	1	
23	62999-005	HOSE CLAMP .41 OD GREEN	1	
24	300217-30	RIGHT SIDE PANEL	1	
25	466-000	.25-20X.75 HHB	3	
26	479-000	LOCK WASHER, .25" SPLIT	3	
27	512-000	.25 WASHER	3	
28	OPM-140	OPERATORS MANUAL	1	
29	94442-002	NUT HEX M6-1.0	4	
30	91861-007	PLUG KIT	1	

PARTS IN KIT:
* 15209-000
** 15209-100



USE 94442-002 TO ATTACH WIRES 1, 2, 3, 4, 6, & 8 TO THE TERMINAL BLOCK

 THIS DRAWING CONTAINS PROPRIETARY INFORMATION BELONGING TO WINCO. UNAUTHORIZED USE IS PROHIBITED. ALL DIMENSIONS INCH	DRAWN BY	DATE	CHK'D BY	DATE	ENG APPR.	DATE
	SJM	12/3/2018			DRD	2/14/19
	TOLERANCE:	+/- 0.0625 DECIMAL		TITLE:		
	MODEL:	WL22000		WL22000VE/B		
	PART: 24022-002		1 of 1			