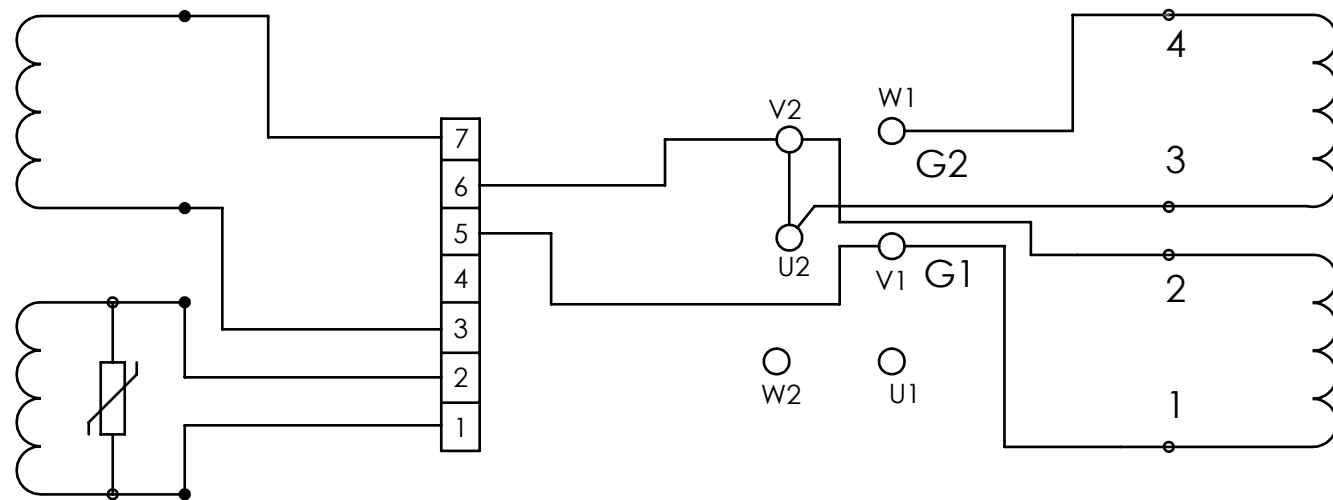
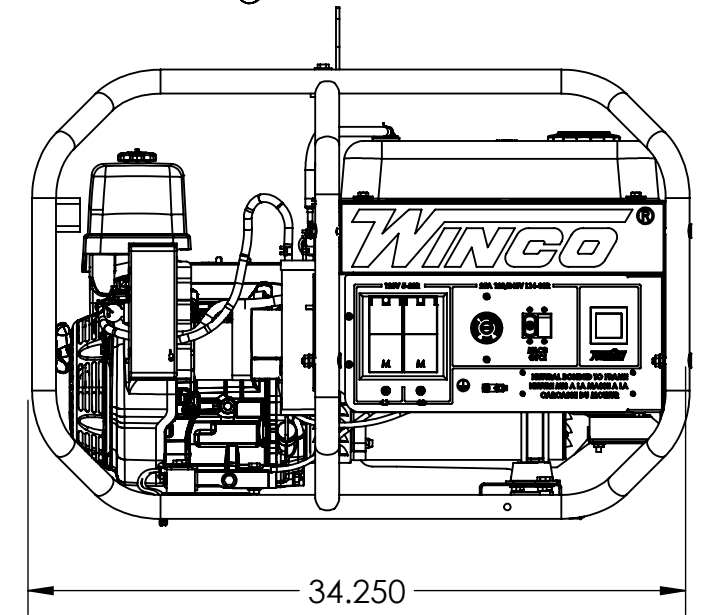
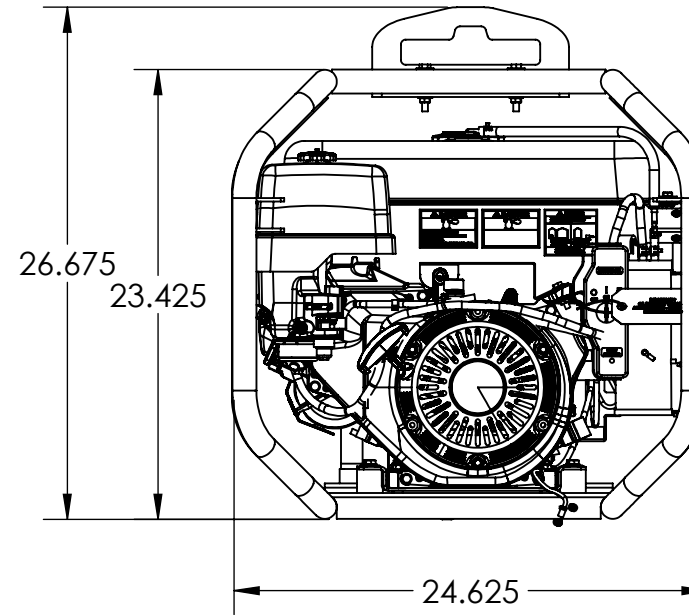
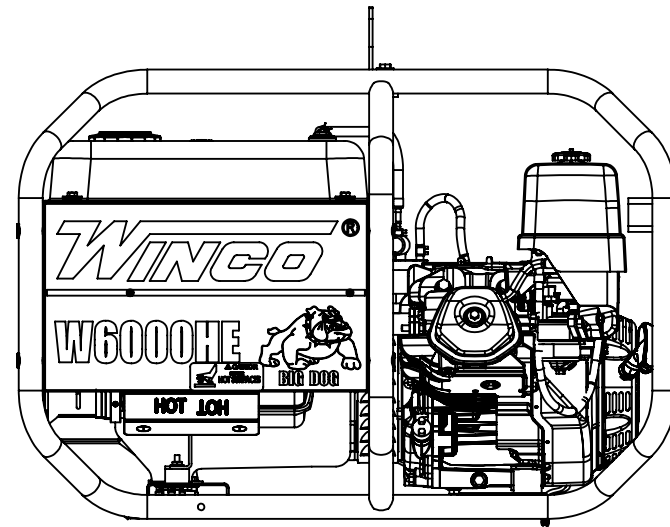
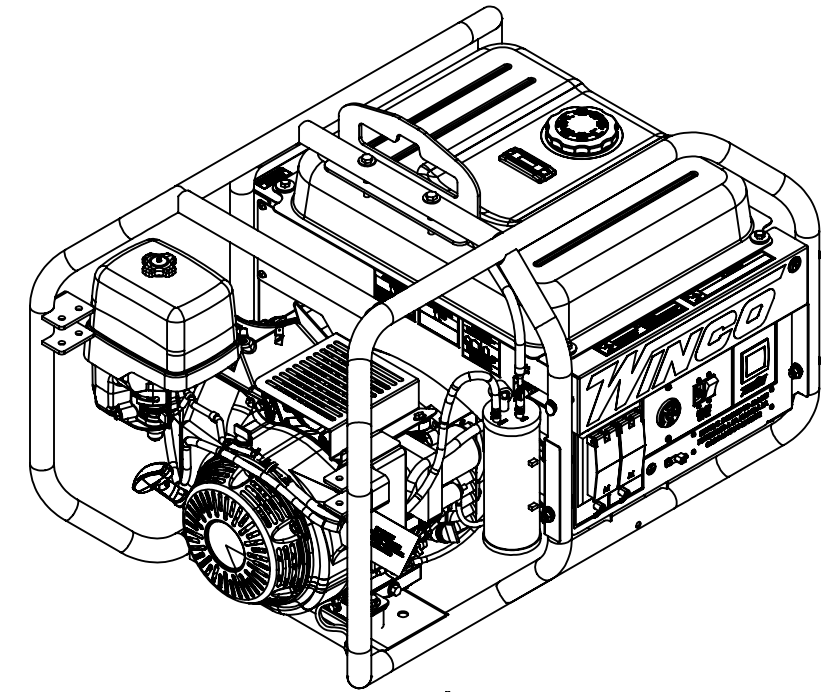


24006-007

ITEM NO.	PartNo	DESCRIPTION	QTY.
1	100047-000	35 X 25 X 24 CARTON	1
2	100059-000	PALLET, 41X29	1
3	15163-100	FUEL SYSTEM	1
4	15428-000	HONDA ENGINE GX340	1
5	15457-081	RECEPTACLE ASSEMBLY	1
6	16175-034	BATTERY INSTALL	1
7	16248-000	.25-20 FLANGE NUT	1
8	16346-023	GENERATOR END	1
9	18000-048	CELL 1 ENGINE AND GENERATOR	1
10	18000-031	CELL 2 E&G, CRADLE & RECEPTACLE BOX	1
11	18000-049	CELL 3 ASSEMBLIES	1
12	300144-19	LIFTING EYE ASSEMBLY	1
13	300515-2	OIL	.3125 GAL
14	350590-19	MUFFLER	1
15	63073-057	WELDED FRAME	1
17	OPM-131	W6000 OPERATORS MANUAL	1
18	15715-094	DECAL KIT, PACKAGING, SMALL PORTABLE STYLE, STACK 2	1

REVISIONS					
REV.	IRN	DESCRIPTION	DATE	BY	APP'D
B	P281	REPLACED 100114-704 WITH 100059-000, 18000-030 W/-048, 18000-043 W/-049	10/25/2018	SJM	DRD
C	10250	ADDED GEN END WIRING DIAGRAM TO THE PRINT	10/25/2019	SJM	PAK
D	10755A	ADDED DECAL KIT	02/06/2020	SSB	DRC



<p>THIS DRAWING CONTAINS PROPRIETARY INFORMATION BELONGING TO WINCO. UNAUTHORIZED USE IS PROHIBITED.</p> <p>ALL DIMESNIIONS INCH</p>	DRAWN BY	DATE	CHK'D BY	DATE	ENG APPR.	DATE
	SJM	3/7/2018			DRD	4/13/18
	TOLERANCE:	+/- 0.0625 DECIMAL		TITLE: W6000HE-03/A		
	MODEL:	W6000HE-03/A		PART: 24006-007		