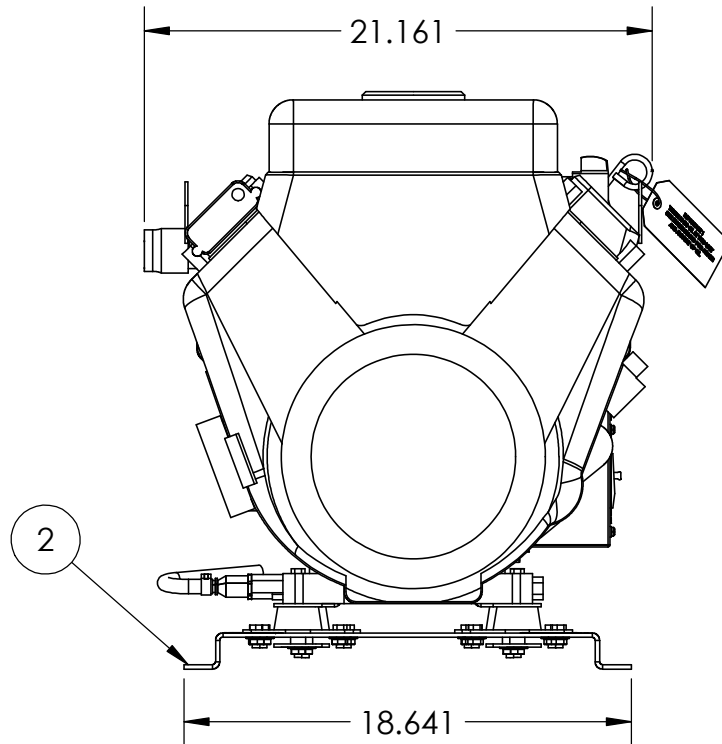
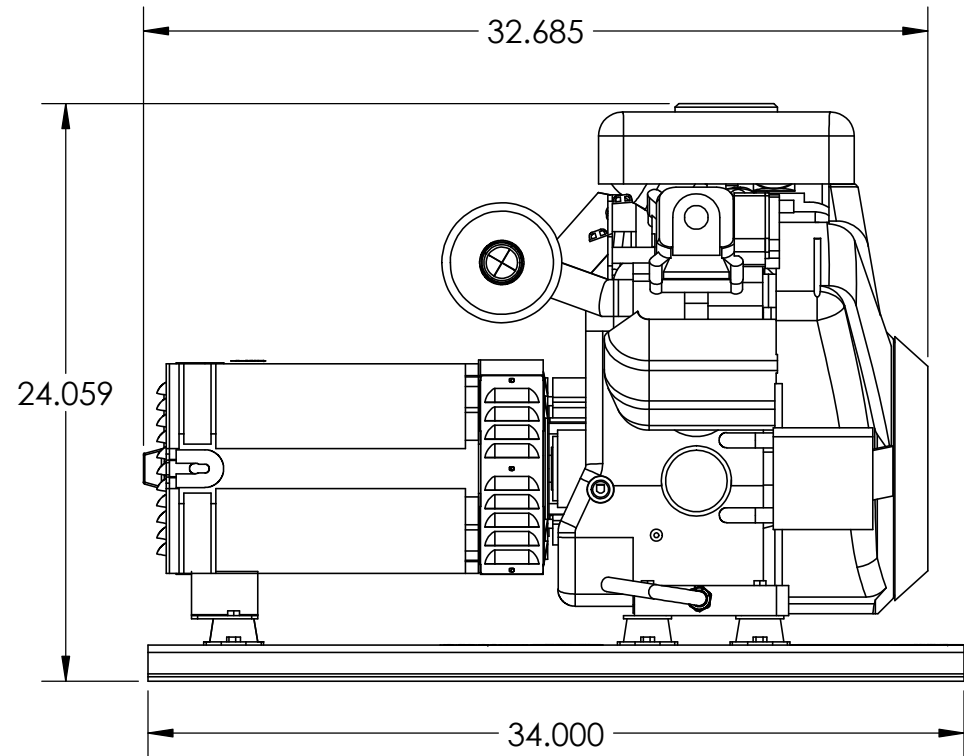
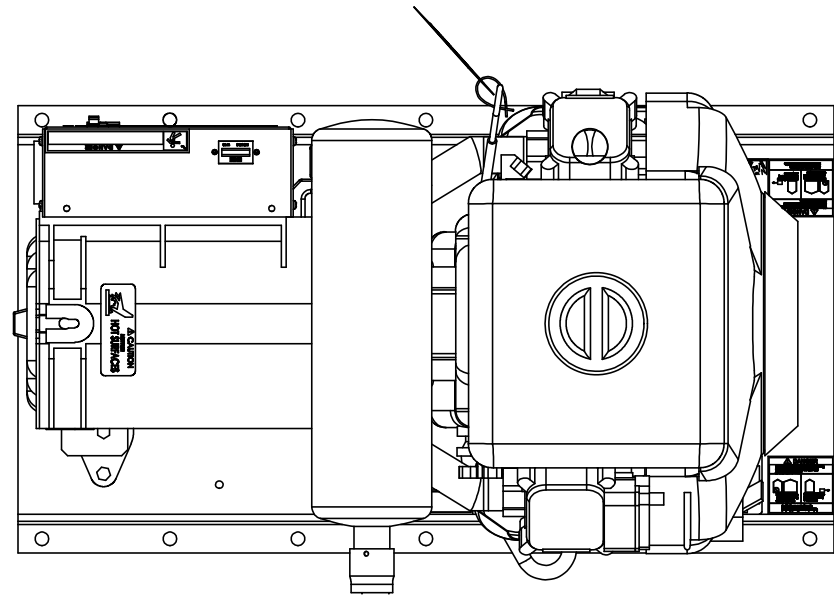
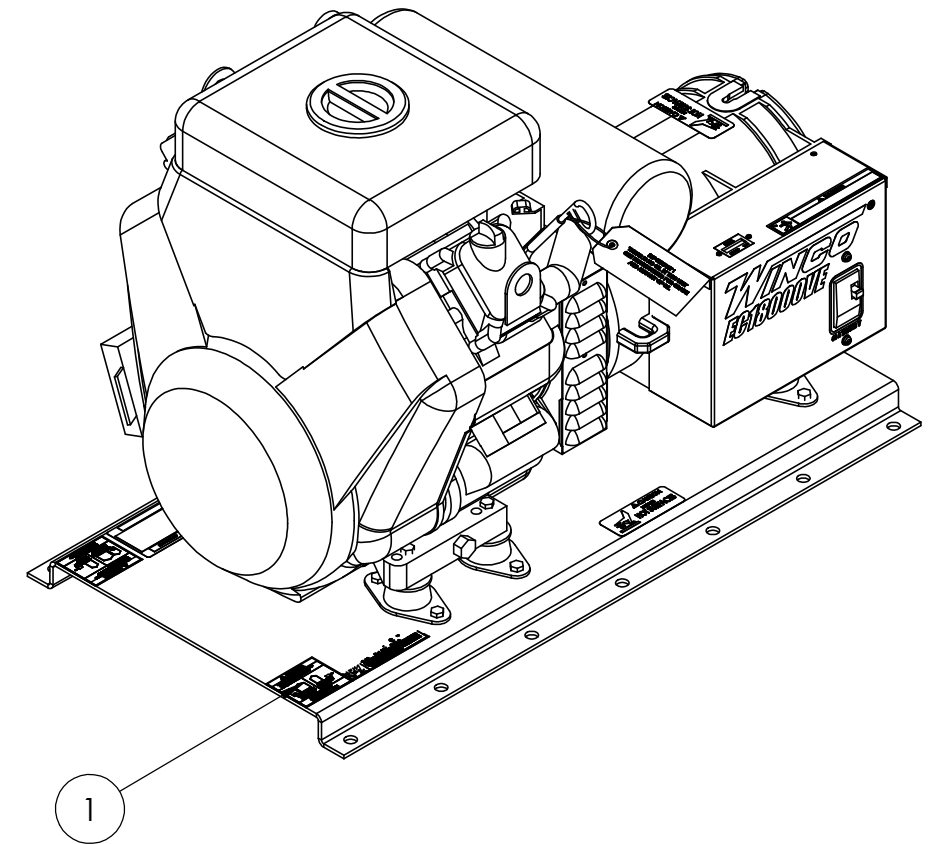


000-81061



REVISIONS					
REV	IRN	DESCRIPTION	DATE	BY	APP'D
A		ORIGINAL	4/26/2012	PJY	
B		CHANGED DECAL SET FROM 15715-057 TO 19018-011	4/26/12	PJY	CLR
C		ADDED SHIPPING CARTON TO BILL	4/27/12	PJY	CLR
D		REMOVED FUEL KIT FROM BILL	5/3/12	PJY	CLR
E	3706	60706-231 ADDED	4/7/2015	KS	DRC



ITEM NO.	PART NUMBER	DESCRIPTION	QTY.
1	19018-011	DECAL INSTALLATION	1
2	19055-000	ENGINE AND BASE	1
3	19018-200	RECEPTACLE ASS'Y	1
4	100046-504	CARTON 30-50 PTO HSC/FOL TW 43-1/2 X 27-3/8 X 26 ECT 80	1
5	60706-231	OPR MANUAL EC18 & EC22	1

 THIS DRAWING CONTAINS PROPRIETARY INFORMATION BELONGING TO WINCO. UNAUTHORIZED USE IS PROHIBITED. ALL DIMENSIONS INCH	DRAWN BY PJY	DATE 4/26/2012	CHK'D BY	DATE	ENG APPR.	DATE
	TOLERANCE:	+/- 0.0625 DECIMAL +/- 1 DEG ANGULAR		TITLE: EC18000VE		
	MODEL:	EC18000VE		PART: 19018-000		
	WINCO ®					