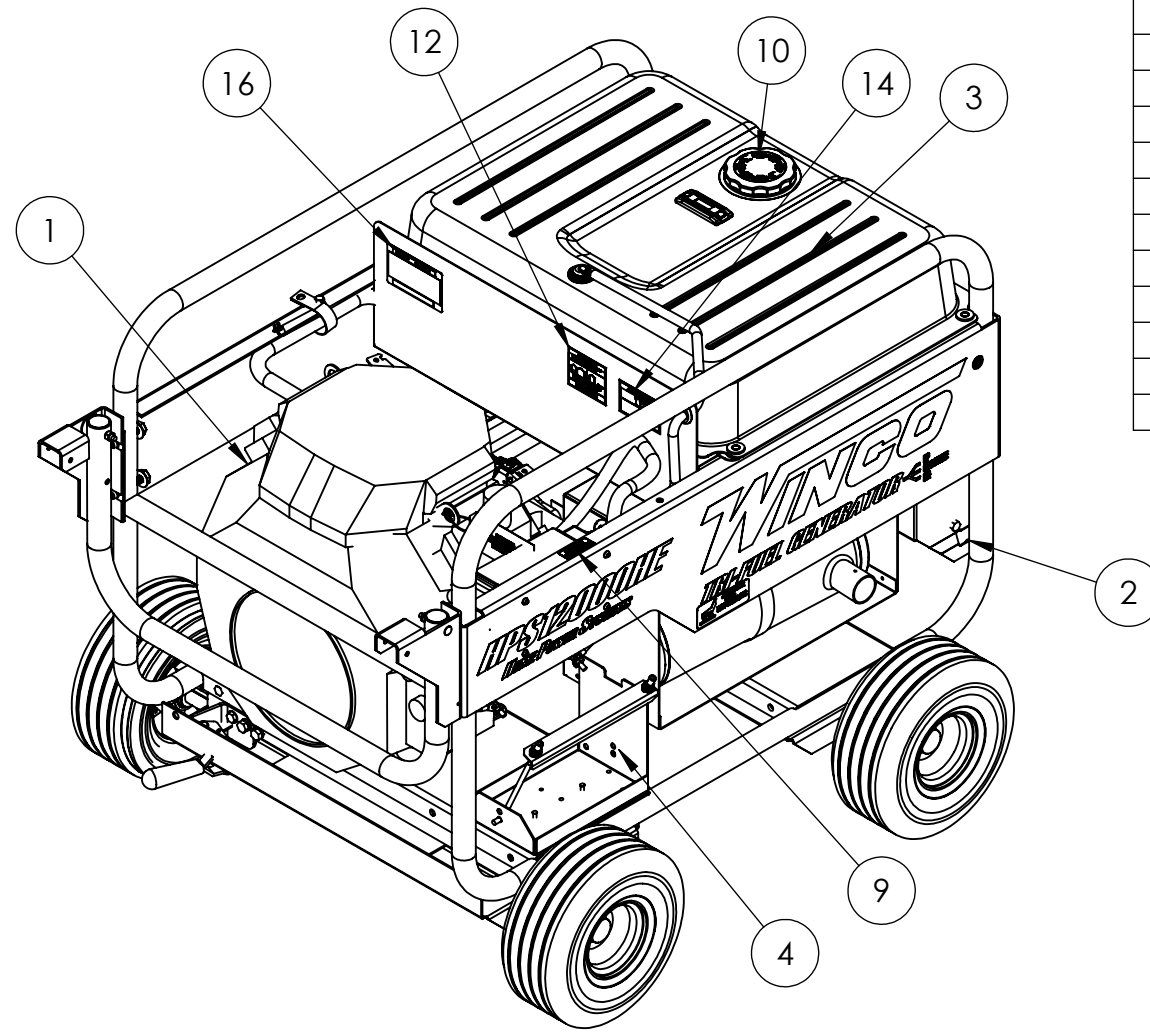
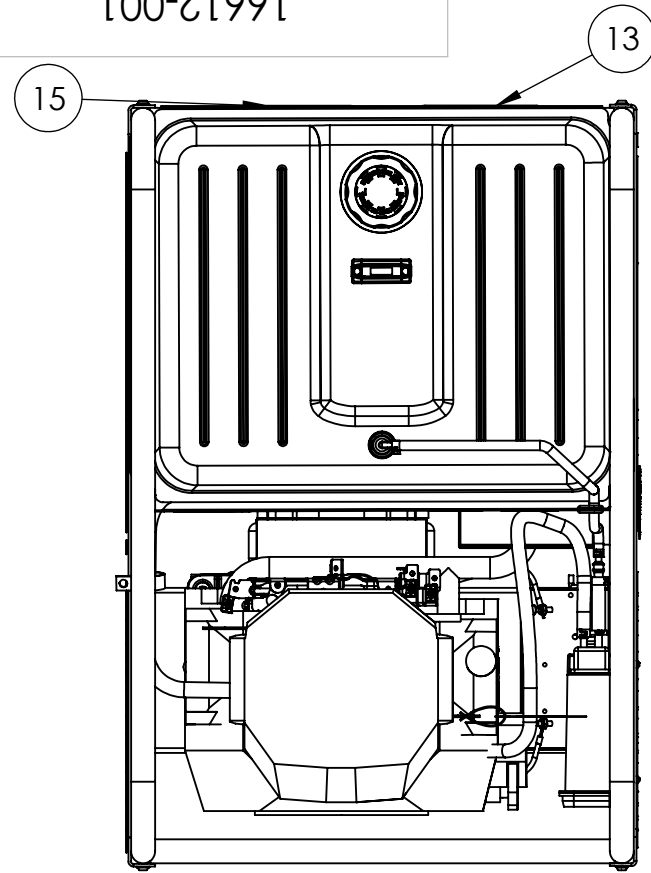


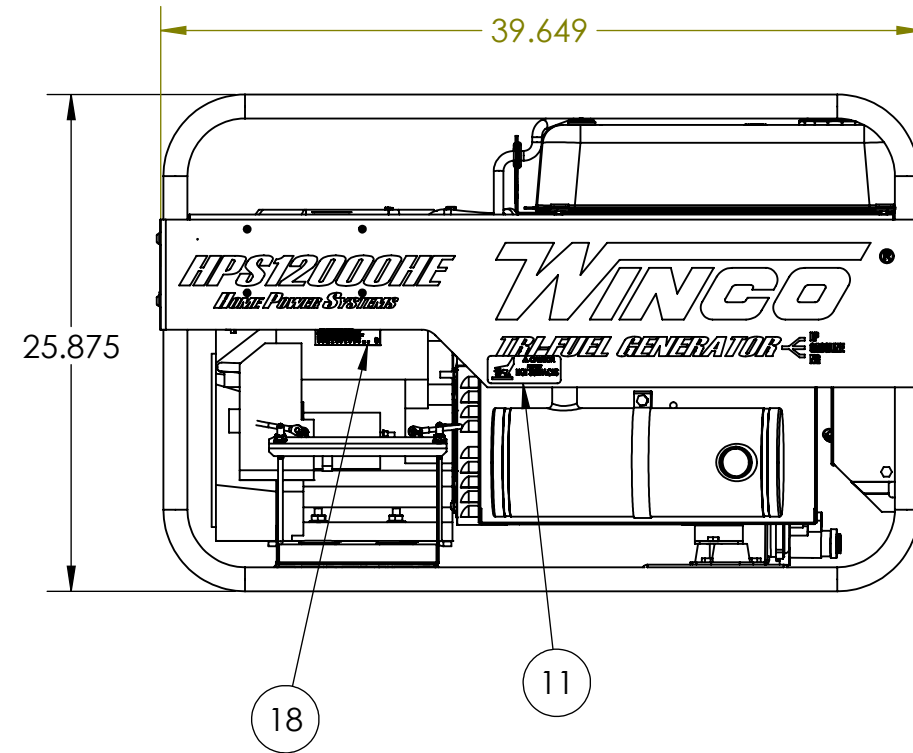
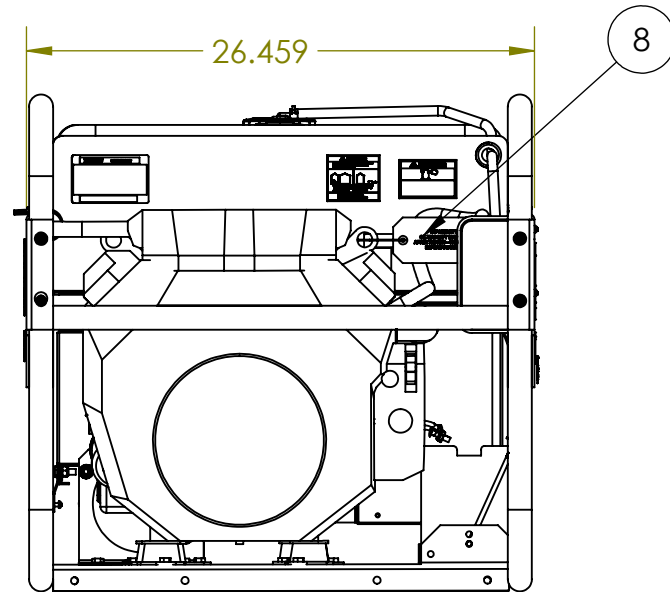
100-21991



REVISIONS					
REV.	IRN	DESCRIPTION	DATE	BY	APP'D
A		ORIGINAL	---	---	DRC
B		ADDED 16199-024 TO BOM	4/18/2013	MVW	DRC
C		15715-080 WAS 15715-074	7/20/2013	MVW	MVW
D	2124	UPDATED FOR NEW GFCI RECEPTACLE	8/22/2013	PJY	DRC
E	2215	UPDATED BOM AND PRINT	9/26/2013	MK	DRC
F		CHG 60706-241 TO 60706-236	10/18/2013	MK	drc
G	4868	CHANGE DOLLY KIT TO 16199-032	02/11/2016	ZJF	ZJF
H	5016	ADD 60710-018 (1), AND 300515-2 (1.5 QTS), DECALS NOW ON THIS LEVEL	3/21/2016	RJD	ZJF
J	5472	REORGANIZED DECALS, AND ADDED BALLONS TO THEM	6/9/2016	RJD	ZJF
K	6329	REPLACED 99877-141 WITH 99877-144	12/6/2016	SEW	DRC

NOTES:  
DECALS 15209-001, 15209-002, & 15209-003 ARE PART OF DECAL SET 15209-000.

ITEM NO.	PartNo	DESCRIPTION	QTY.
1	18000-004	ENGINE GENERATOR AND CRADLE	1
2	16176-048	RECEPTACLE BOX INSTALLATION	1
3	15163-074	FUEL TANK INSTALLATION	1
4	16175-022	BATTERY INSTALLATION	1
5	16199-032	DOLLY KIT, 4 WHEEL, BRAKES	1
6	100047-742	CARTON	1
7	60706-236	OPERATION MANUAL FOR HPS12000HE/F	1
8	60710-018	OIL WARNING TAG	1
9	15209-014	DECAL - CHECK OIL	1
10	15209-013	DECAL - FUEL TYPE GASOLINE	1
11	63941-001	DECAL -HOT SURFACES	1
12	64918-000	DECAL-DANGER (CO) USE OUTSIDE	1
13	15209-003	UL-DECAL ELECTRICAL SHOCK CAN KILL	1
14	15209-002	DECAL-DANGER CARBON MONOXIDE	1
15	15209-000	GASOLINE DECAL	1
16	63966-004	NAMEPLATE, WINCO PORTABLE	1
17	300515-2	OIL	1.5 QTS
18	99877-144	EMISSIONS LABEL HPS12000HE	1



UNLESS OTHERWISE SPECIFIED			
FRACTIONS 1 PLACE DEC. .1 2 PLACE DEC. .015 3 PLACE DEC. .005	ANGULAR 1.5	MACHINED SURFACE TEXTURE	ALL DIMENSIONS GIVEN IN INCHES WORK TO DIMENSIONS FLAT OUTSIDE VIEW SHOWN UNLESS NOTED -DO NOT SCALE-

	DRAWN BY PJY	DATE 3/13/2013	CHK'D BY DRC	DATE 3/15/2013	ENG APPR. DRC	DATE 3/15/2013
--	-----------------	-------------------	-----------------	-------------------	------------------	-------------------

THIS DRAWING CONTAINS PROPRIETARY INFORMATION BELONGING TO WINCO. UNAUTHORIZED USE IS PROHIBITED	MATERIAL:	SEE TABLE	TITLE: COMPLETE ASSEMBLY
	FINISH:	N/A	
	MODEL:	HPS12000HE	
		PART NO.	16612-001