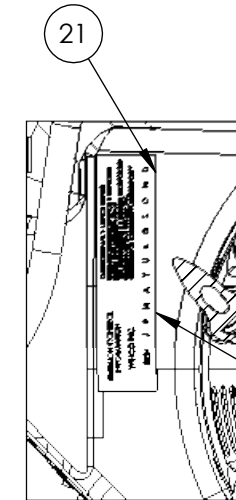
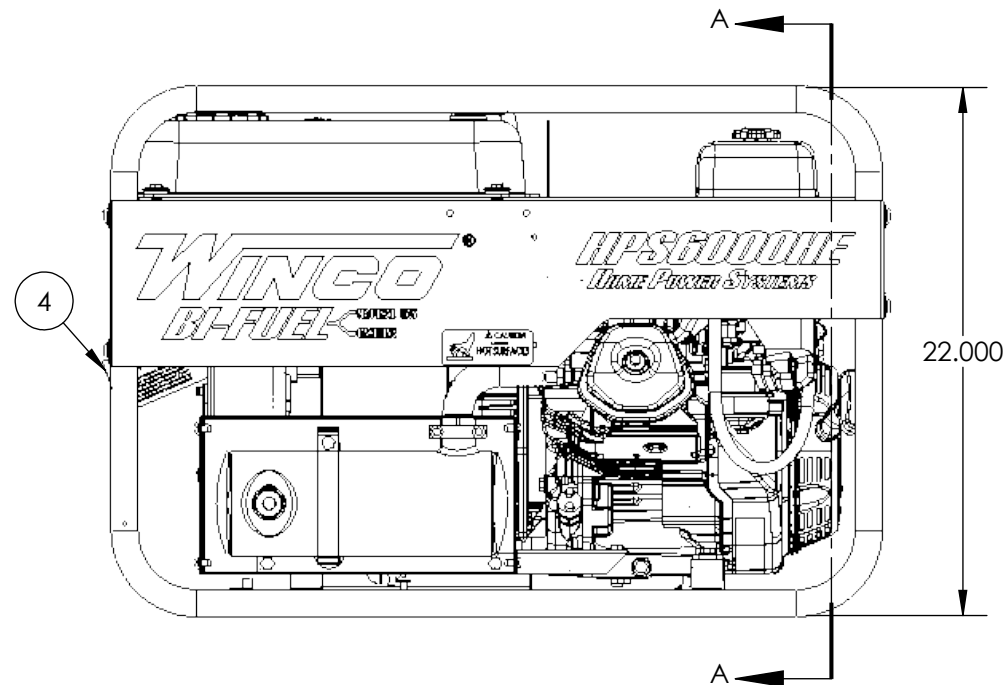
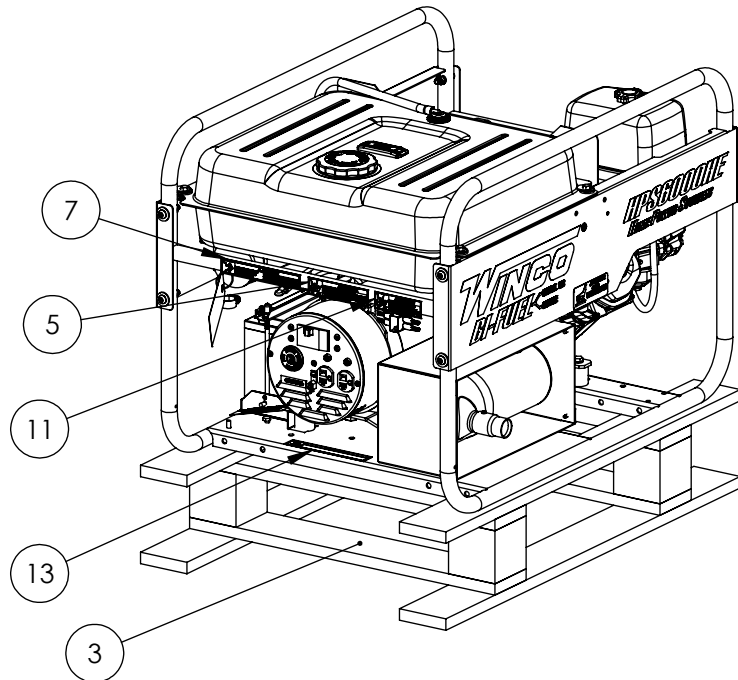
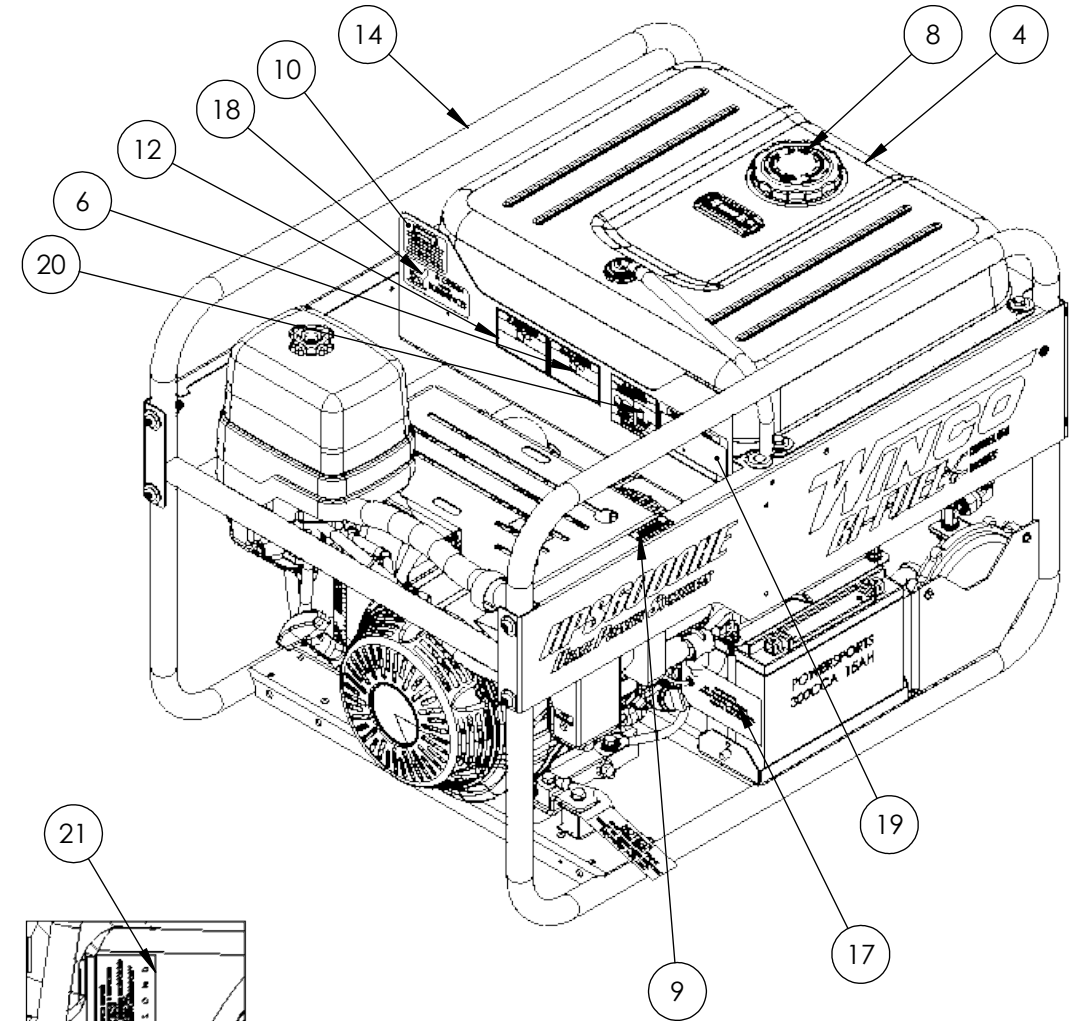
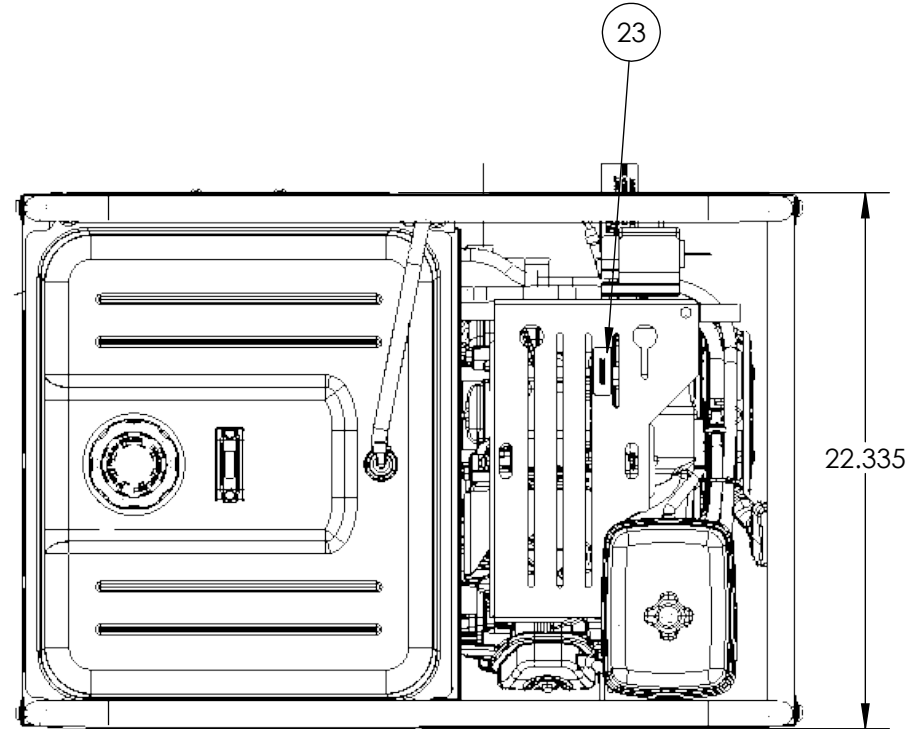


700-90991

NOTE: DECAL'S 15209-001, -002 & -003 ARE PART OF DECAL SET 15209-000  
 DECAL'S 15209-101, -102 & -103 ARE PART OF DECAL SET 15209-100

REVISIONS					
REV.	IRN	DESCRIPTION	DATE	BY	APP'D
D	10845	UPDATED OIL ADDED DECAL KIT	4/15/2020	DRC	DRC
E	11821	UPDATED EPA DECAL	11/30/2020	DRC	SJM

ITEM	PART NO.	DESCRIPTION	QTY.
1	100047-723	CARTON 5KW-9KW	1
2	100054-650	BAG 52 X 24 X 45 1.0 MIL	1
3	100114-703	SKID	1
4	15163-075	FUEL SYSTEM INSTALLATION	1
5	15209-001	GASOLINE DECAL	1
6	15209-002	DECAL-DANGER CARBON MONOXIDE	1
7	15209-003	UL-DECAL ELECTRICAL SHOCK CAN KILL	1
8	15209-013	DECAL - FUEL TYPE GASOLINE	1
9	15209-014	DECAL - CHECK OIL	1
10	15209-036	PROP 65 WARNING DECAL	1
11	15209-101	DECAL, GASOLINE DANGER, FRENCH	1
12	15209-102	DECAL-DANGER CARBON MONOXIDE	1
13	15209-103	UL-DECAL ELECTRICAL SHOCK CAN KILL	1
14	18000-005	ENGINE GENERATOR CRADLE ASSEMBLY	1
15	300515-2	OIL, 10W-30	1.25QTS
16	60706-238	OPERATOR'S MANUAL	1
17	60710-018	OIL WARNING TAG	1
18	63941-001	DECAL -HOT SURFACES	2
19	63966-004	NAMEPLATE, WINCO PORTABLE	1
20	64918-000	DECAL-DANGER (CO) USE OUTSIDE	1
21	99877-154	EMISSION LABEL HPS6000HE	1
22	15715-094	DECAL KIT, PACKAGING, SMALL PORTABLE STYLE, STACK 2	1
23	16200-502	MAINT KIT DECAL	1



SECTION A-A

SCALE 1 : 3

CLIP MONTH ON EMISSIONS LABEL PRIOR TO INSTALLING. INSTALL DIRECTLY OVER EXISTING EMISSION'S LABEL ON HONDA'S ENGINE.

<p>THIS DRAWING CONTAINS PROPRIETARY INFORMATION BELONGING TO WINCO. UNAUTHORIZED USE IS PROHIBITED.</p> <p>ALL DIMESNIONS INCH</p>	DRAWN BY	DATE	CHK'D BY	DATE	ENG APPR.	DATE
	SJM	5/24/2019			PAK	10/15/2019
	TOLERANCE:	+/- 0.0625 DECIMAL		+/- 1 DEG ANGULAR		TITLE:
MODEL:	HPS6000HE-03/A				COMPLETE ASSEMBLY	
					PART:	16606-002