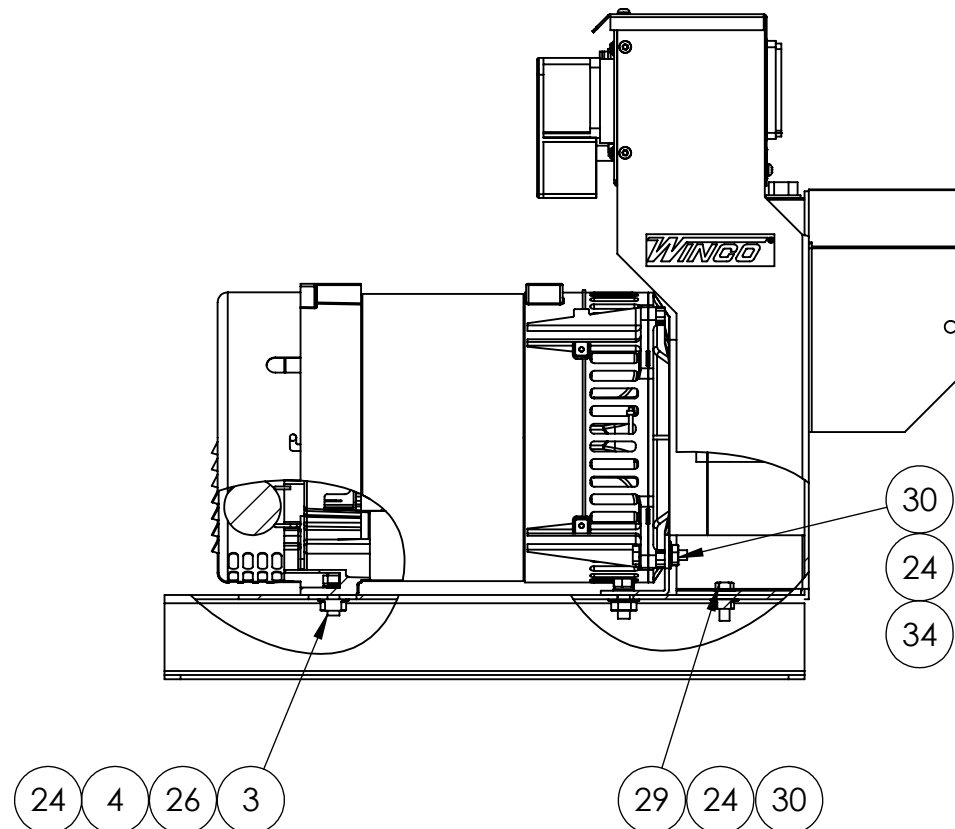
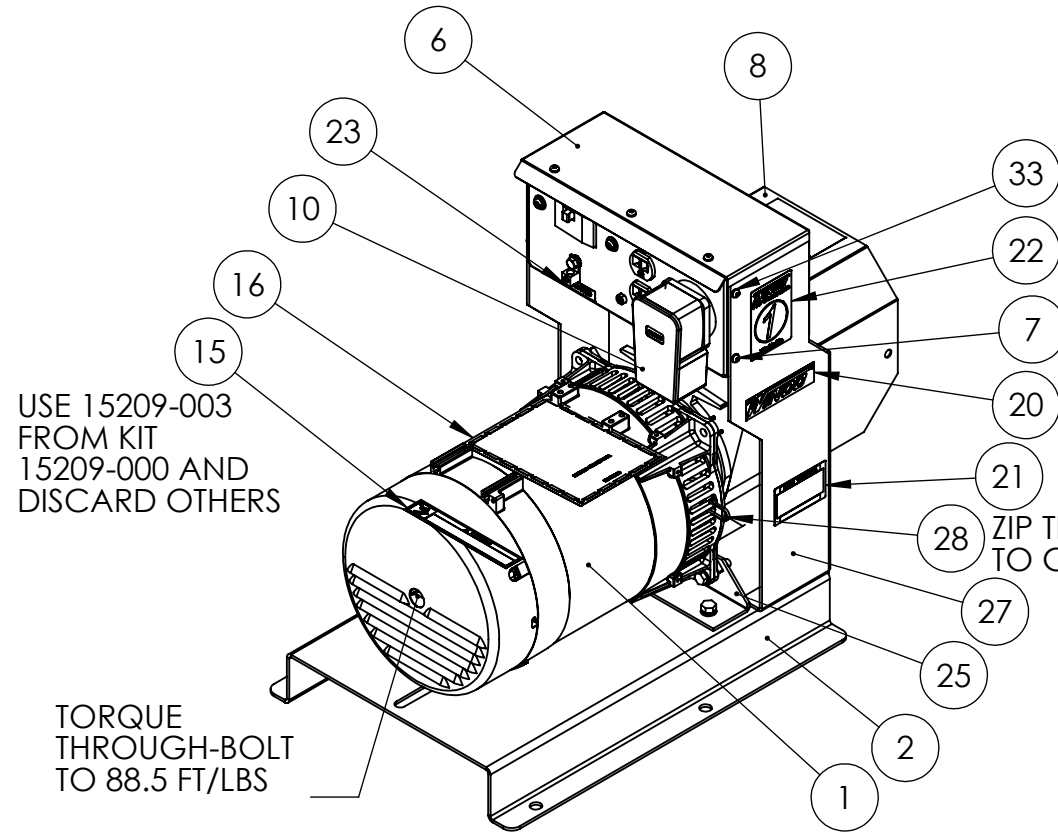
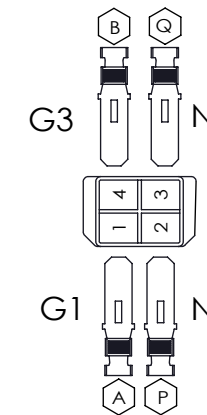
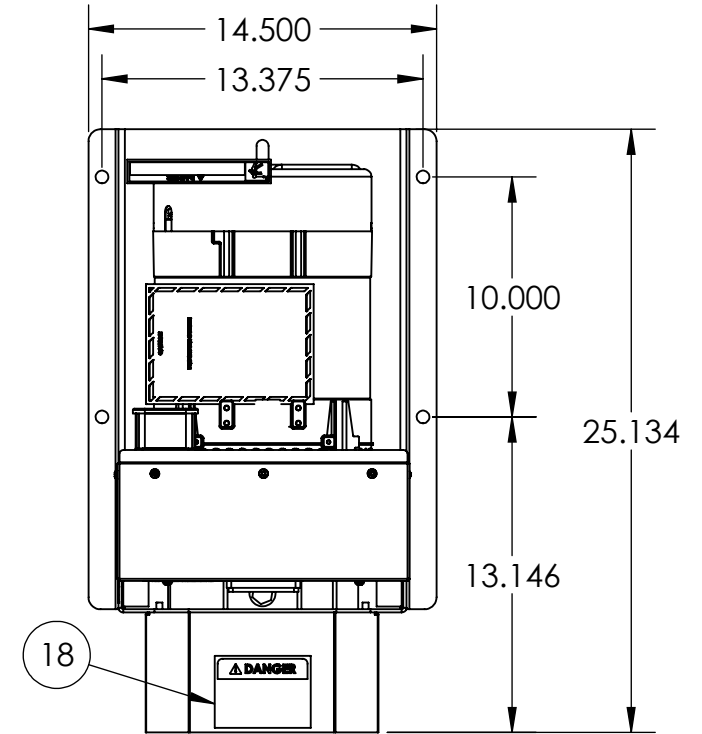


99840-003

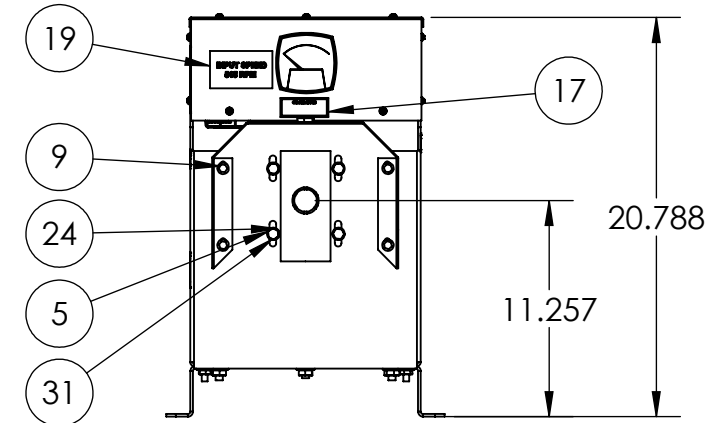
ITEM NO.	PartNo	DESCRIPTION	QTY.
1	99839-002	GEN END, 10.2 KW, W/GEARCASE	1
2	16406-007	FORMED BASE	1
3	91658-001	.375 - 16 X1 HHB	3
4	481-000	LOCK .375 SPLIT	3
5	96002-020	M8-1.25X20MM	4
6	300160-7	RECEPTACLE BOX ASSEMBLY	1
7	21698-001	10-16X.372 TORX SCREW BLACK	4
8	300086-2	GUARD, DRIVE SHAFT	1
9	55440-000	.25-02X.5 SELF TAP	4
10	300137	PLUG, NEMA 14-60P, 60A-3P-4W-125/250V	1
11	100047-747	10 X 8 X 6 CARTON	1
12	40965-000	GEAR OIL	0.1875
13	100047-603	31.875 X 24.25 X 24 CARTON	1
14	15209-000	DECAL SET	1
15	15209-003	UL-DECAL ELECTRICAL SHOCK CAN KILL	1
16	Z2553	DECAL-OPERATOR INSTRUCTIONS	1
17	Z9941	DECAL-OIL FILL HOLE	1
18	Z2568	DECAL-DANGER PTO	1
19	91369-003	UL-DECAL-515 RPM	1
20	53113-002	WINCO DECAL	2
21	63966-009	KIT, NAMEPLATE WINCO PTO	1
22	98479-000	WINCO #1 WORLDWIDE DECAL	1
23	15750-001	GROUND DECAL	1
24	526-000	WASHER .3125 ID	11
25	16335-015	GENERATOR SUPPORT	1
26	16250-000	.375-16 FLANGE NUT	3
27	99841-003	GEAR CASE SUPPORT	1
28	49975-012	CABLE TIE 14" BLACK 50# PULL	1
29	1116-000	HHCS .3125-18X1	2
30	16249-000	.3125-18 FLANGE	4
31	97436-008	LOCKWASHER M8	4
32	60706-241	OPERATORS MANUAL	1
33	96286-002	FLAT WASHER NYLON	4
34	468-000	.3125-18X1.5 HHCS	2



REVISIONS					
REV.	IRN	DESCRIPTION	DATE	BY	APP'D
3	2261	ADDED INSTRUCTION SHEET TO BOM	10/16/2013	KS	
4	2269	REMOVED EXTRA 100047-603 FROM BOM	11/14/2013	KS	DRC
5	2825	ADDED 1 526-000 WASHER TO BOM	6/17/2014	PJY	DRC
6	3907	ADDED WASHERS TO BOM TO CONFORM TO STANDARDS	6/10/2015	PJY	DRC
7	4346	ADDED 96286-002, REMOVED 635, 20604, 21976, 4516, 45633, & (5) 21698-001	9/30/2015	SJM	DRC



TERMINALS AND PLUG SUPPLIED WITH GENERATOR RETURN TO STOCK



NOTE
PLACE THE FOLLOWING INTO THE PARTS BOX CARTON:
*DRIVE SHAFT GUARD 300086-2, ITEM (8)
*SELF TAPPING SCREWS 55440-000, ITEM (9)
*14-60 RECEPTACLE PLUG 300137, ITEM (10)
*OPERATORS MANUAL 60706-241

* 15209-003 DECAL PART OF DECAL SET 15209-000

<p>THIS DRAWING CONTAINS PROPRIETARY INFORMATION BELONGING TO WINCO. UNAUTHORIZED USE IS PROHIBITED.</p> <p>ALL DIMENSIONS INCH</p>	DRAWN BY MK	DATE 5/22/2013	CHK'D BY	DATE	ENG APPR.	DATE
	TOLERANCE:	+/- 0.0625 DECIMAL +/- 1 DEG ANGULAR	TITLE: COMPLETE ASSEMBLY W10PTO			
	MODEL:	W10PTO	PART: 99840-003			