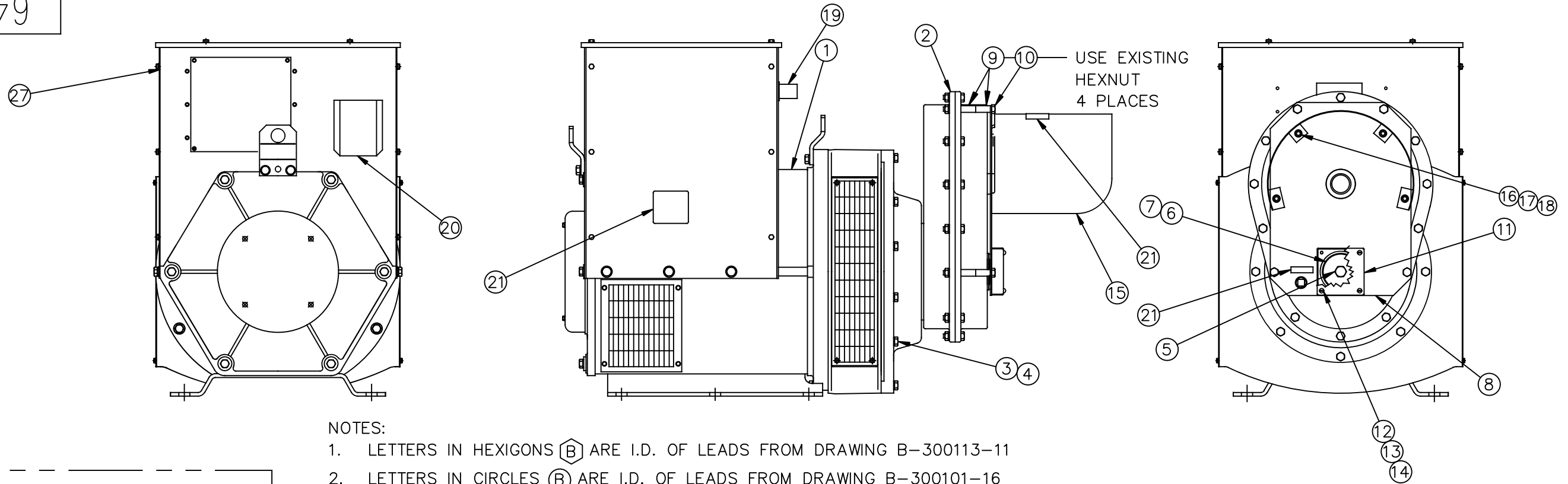
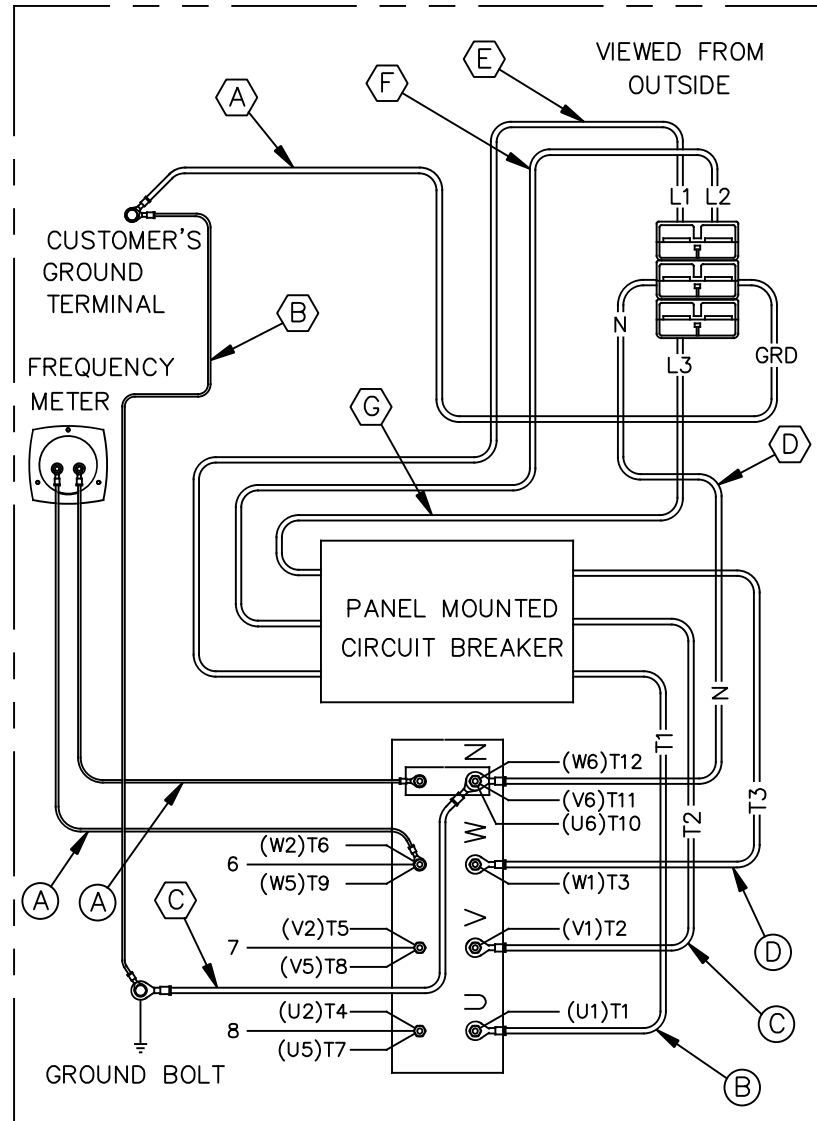


64868-015



- NOTES:
- LETTERS IN HEXIGONS (B) ARE I.D. OF LEADS FROM DRAWING B-300113-11
 - LETTERS IN CIRCLES (B) ARE I.D. OF LEADS FROM DRAWING B-300101-16



27	64914-000	16	M6 X 1 NUT RETAINER
26	1744-000	4	1/2-13 HEXNUT (SHIPPING)
25	21867-000	4	1/2 FLATWASHER (SHIPPING)
24	61603-005	4	1/2-13 X 2-1/2 CARRIAGE BOLT (SHIPPING)
23	91861-004	1	PLUG KIT (SHIPPED LOOSE)
22	60706-160	1	OPERATOR'S MANUAL
21	64894-007	1	DECAL AND NAMEPLATE INSTALLATION
20	300113-11	1	RECEPTACLE PANEL ASSEMBLY
19	300101-20	1	MAIN LINE BREAKER PANEL ASSEMBLY
18	16249-000	4	5/16-18 HEX FLANGENUT
17	526-000	4	5/16 FLAT WASHER
16	465-000	4	5/16-18 X 7/8 HEX HEAD BOLT
15	S-7606	1	PTO SHAFT GUARD
14	484-000	4	#10 SPLIT LOCKWASHER
13	6372-000	4	#10-32 HEX NUT
12	52464-002	4	#10-32 X 1-1/2 ROUND HEAD SCREW
11	300105	1	LOWER SHAFT GUARD
10	91658-015	4	3/8-16 X 4 HEX HEAD BOLT
9	62825-004	8	SPACER
8	300104	1	PTO SHAFT GUARD SUPPORT PLATE
7	300096	1	SHAFT WASHER
6	300106-1	1	BELLEVILLE WASHER, 5/8"
5	350096-35	1	HHCS M16-2.0 X 35MM BLACK
4	97436-010	12	M10 SPLIT LOCKWASHER
3	94282-035	12	M10 X 1.50 X 35 MM HEX HEAD BOLT
2	91099-004	1	GEARCASE & ADAPTER ASSY
1	351811-4	1	GENERATOR
ITEM	PART NO	QUAN.	DESCRIPTION

ISSUE	E.C.O. NO.	DESCRIPTION	DATE	BY	APPD
A	C3847	ORIGINAL	7/8/2016	ZJF	ZJF

REVISION RECORD

UNLESS OTHERWISE SPECIFIED

FRACTIONS ±	—	ANGULAR	MACHINED SURFACE TEXTURE	ALL DIMENSIONS GIVEN IN INCHES
1. PLACE DEC. ±	.1	± 1.5°		WORK TO DIMENSIONS
2. PLACE DEC. ±	.015			- DO NOT SCALE -
3. PLACE DEC. ±	.005			

FINISH	ASSY	MODEL	TITLE
		W165FPTOS-18/F	COMPLETE UNIT ASSEMBLY

THIS DRAWING CONTAINS PROPRIETARY INFORMATION BELONGING TO WINCO UNAUTHORIZED USE IS PROHIBITED.

WINCO INCORPORATED

64868-015