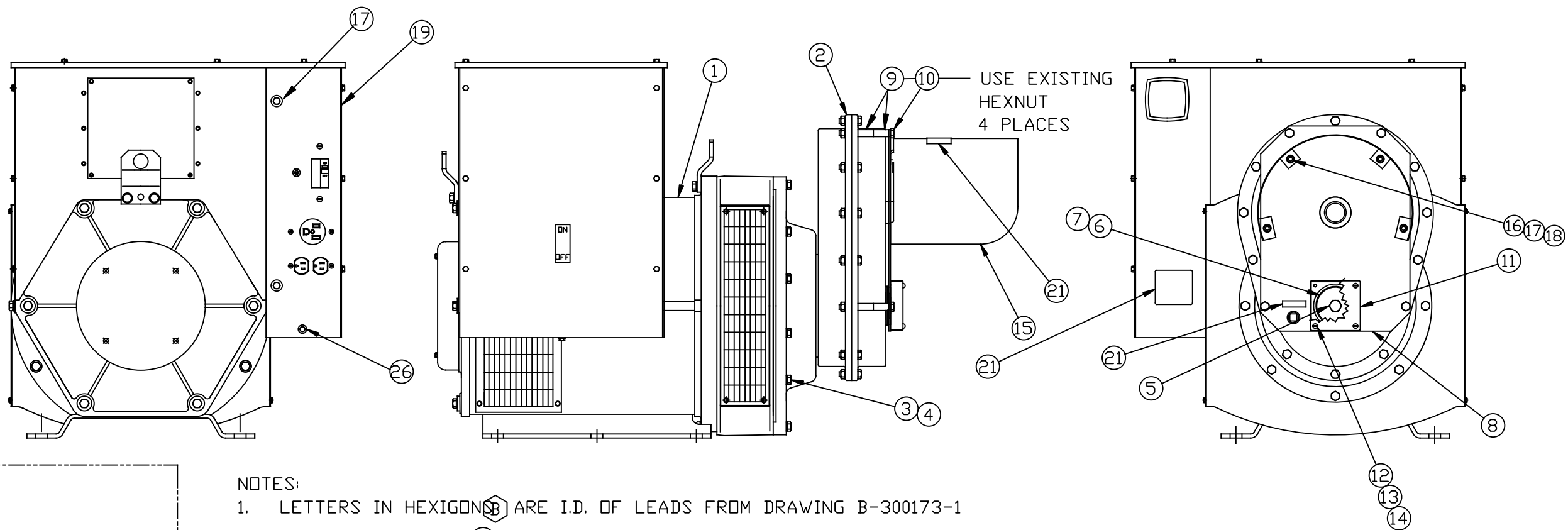
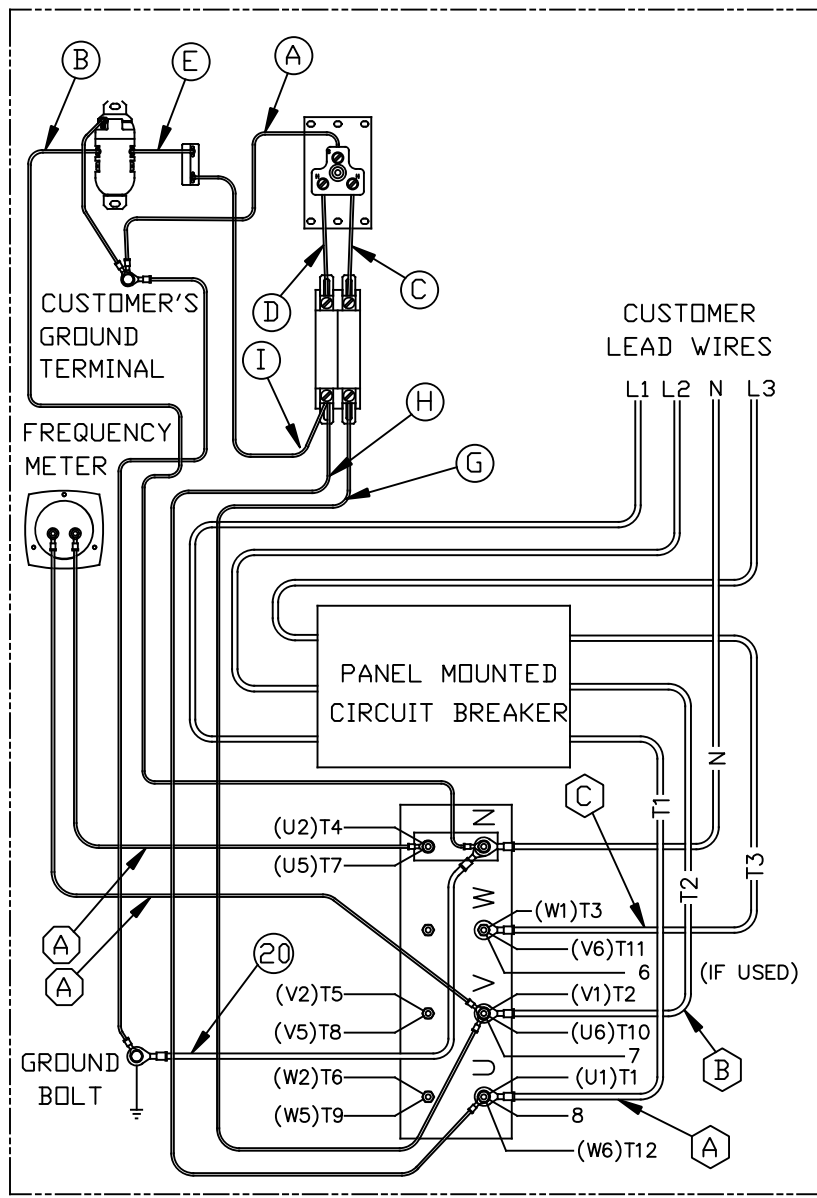


64868-014



NOTES:

- LETTERS IN HEXAGONS (A) ARE I.D. OF LEADS FROM DRAWING B-300173-1
- LETTERS IN CIRCLES (B) ARE I.D. OF LEADS FROM DRAWING B-300184
- LETTERS IN OCTAGONS (A) ARE I.D. OF LEADS FROM DRAWING B-300171-1
- NUMBERS IN CIRCLES (20) ARE ITEMS IN PARTS LIST FROM THIS DRAWING



WIRING DIAGRAM (THREE PHASE DELTA "12 WIRE"; 120/240)
*3 IS THE WILD LEG

26	512-000	2	WASHER
25	1744-000	4	1/2-13 HEXNUT (SHIPPING)
24	21867-000	4	1/2 FLATWASHER (SHIPPING)
23	61603-005	4	1/2-13 X 2-1/2 CARRIAGE BOLT (SHIPPING)
22	60706-160	1	OPERATOR'S MANUAL
21	64894-005	1	DECAL AND NAMEPLATE INSTALLATION
20	52118-041	1	LEAD WIRE ASSEMBLY
19	300173-12	1	MAIN LINE BREAKER PANEL INSTALLATION
18	16249-000	4	5/16-18 HEX FLANGENUT
17	526-000	8	5/16 FLAT WASHER
16	465-000	4	5/16-18 X 7/8 HEX HEAD BOLT
15	S-7606	1	PTD SHAFT GUARD
14	484-000	4	#10 SPLIT LOCKWASHER
13	6372-000	4	#10-32 HEX NUT
12	52464-002	4	#10-32 X 1-1/2 ROUND HEAD SCREW
11	300105	1	LOWER SHAFT GUARD
10	91658-015	4	3/8-16 X 4 HEX HEAD BOLT
9	62825-004	8	SPACER
8	300104	1	PTD SHAFT GUARD SUPPORT PLATE
7	300096	1	SHAFT WASHER
6	300106-1	1	BELLEVILLE WASHER, 5/8"
5	350096-35	1	M16-2.00 X 50MM HEX HEAD BOLT
4	97436-010	12	M10 SPLIT LOCKWASHER
3	94282-035	12	M10 X 1.50 X 35 MM HEX HEAD BOLT
2	91099-004	1	GEARCASE & ADAPTER ASSY
1	351811-4	1	GENERATOR
ITEM	PART NO	QUAN.	DESCRIPTION

ISSUE	E.C.O. NO.	DESCRIPTION	DATE	BY	APPD		
A	C3847	ORIGINAL	7/8/2016	ZJF	ZJF		
REVISION RECORD							
UNLESS OTHERWISE SPECIFIED		MACHINED SURFACE TEXTURE	ALL DIMENSIONS GIVEN IN INCHES				
FRACTIONS ±			ANGULAR ± 1.5°	WORK TO DIMENSIONS			
1. PLACE DEC. ± .1				- DO NOT SCALE -			
2. PLACE DEC. ± .015							
3. PLACE DEC. ± .005							
THIS DRAWING CONTAINS PROPRIETARY INFORMATION BELONGING TO WINCO UNAUTHORIZED USE IS PROHIBITED.	DRAWN BY	DATE	CHKD BY	DATE	APPD BY	DATE	SCALE
	ZJF	7/8/2016			ZJF	7/8/2016	
MATERIAL:							
FINISH			TITLE				
ASSY			COMPLETE UNIT ASSEMBLY				
MODEL	W145PTOS-17/F						
			64868-014				