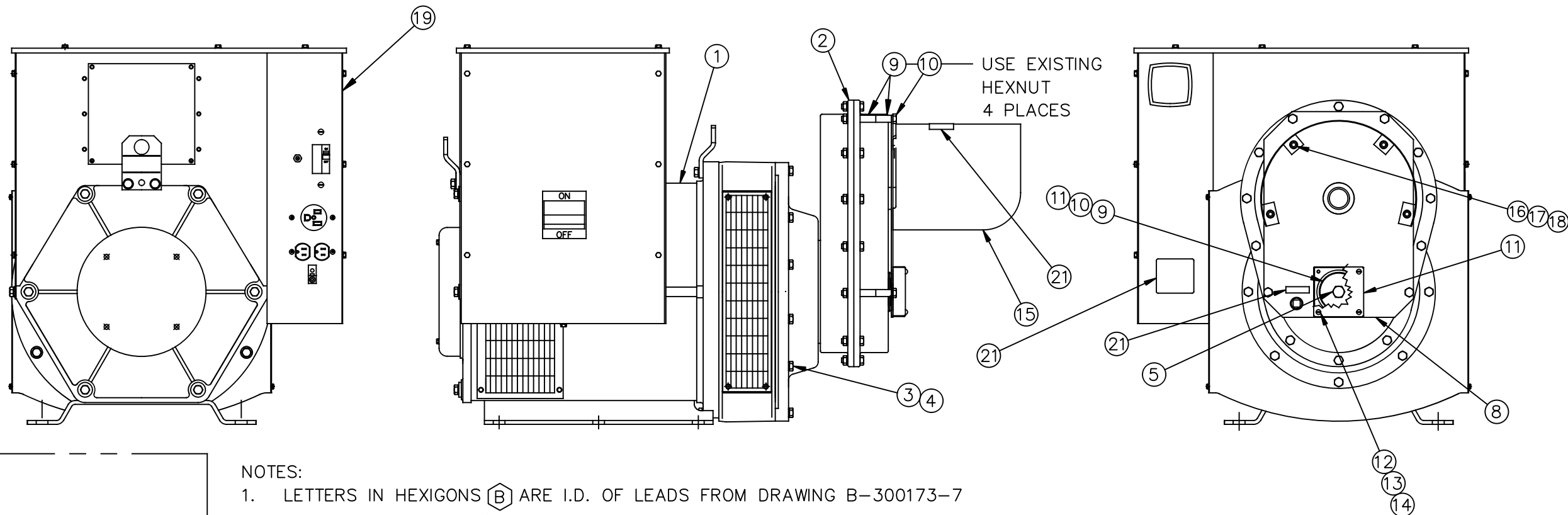
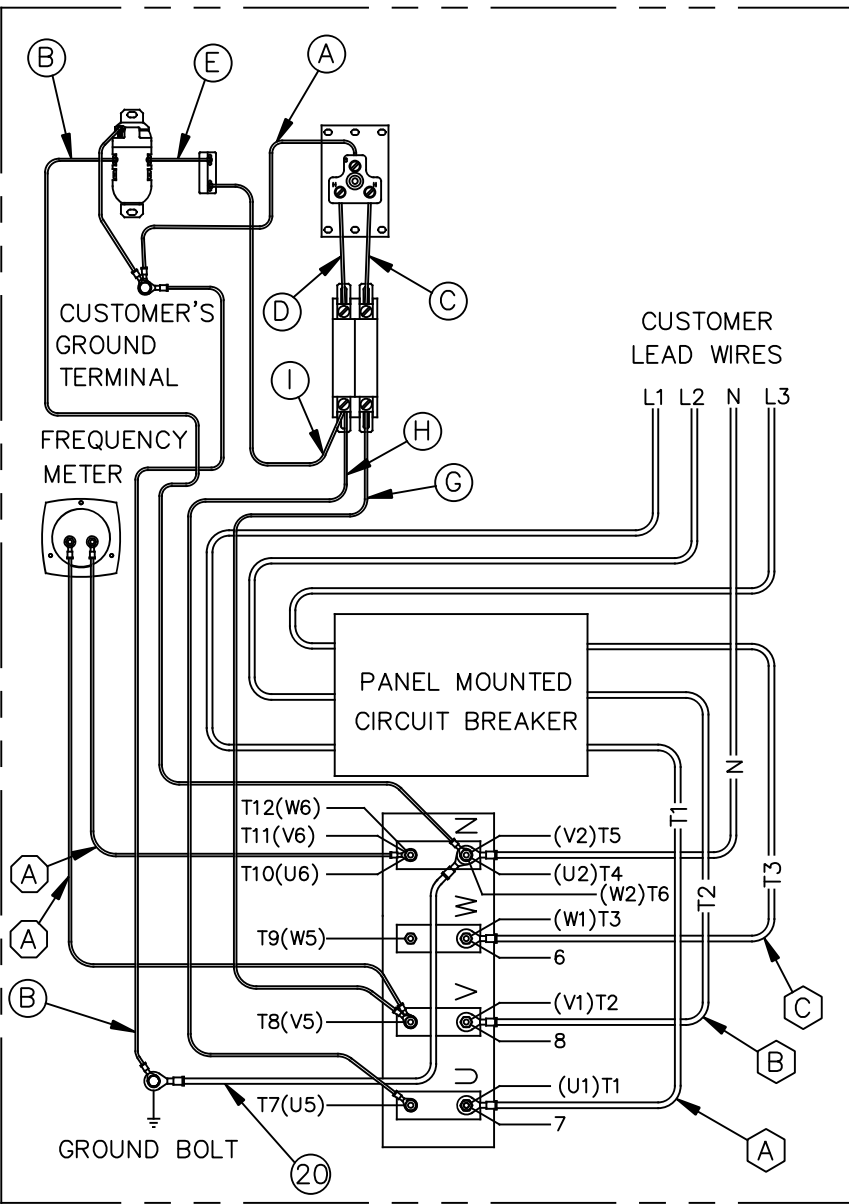


64868-013



NOTES:

1. LETTERS IN HEXIGONS (B) ARE I.D. OF LEADS FROM DRAWING B-300173-7
2. LETTERS IN CIRCLES (C) ARE I.D. OF LEADS FROM DRAWING B-300184
3. LETTERS IN OCTAGONS (A) ARE I.D. OF LEADS FROM DRAWING B-300171-1
4. NUMBERS IN CIRCLES (20) ARE ITEMS IN PARTS LIST FROM THIS DRAWING



WIRING DIAGRAM (THREE PHASE WYE "12 WIRE"; 120/208)

|      |           |       |                                      |            |
|------|-----------|-------|--------------------------------------|------------|
| 25   | 1744-000  | 4     | 1/2-13 HEXNUT                        | (SHIPPING) |
| 24   | 21867-000 | 4     | 1/2 FLATWASHER                       | (SHIPPING) |
| 23   | 61603-005 | 4     | 1/2-13 X 2-1/2 CARRIAGE BOLT         | (SHIPPING) |
| 22   | 60706-160 | 1     | OPERATOR'S MANUAL                    |            |
| 21   | 64894-005 | 1     | DECAL AND NAMEPLATE INSTALLATION     |            |
| 20   | 93542-011 | 1     | LEAD WIRE ASSEMBLY                   |            |
| 19   | 300173-14 | 1     | MAIN LINE BREAKER PANEL INSTALLATION |            |
| 18   | 16249-000 | 4     | 5/16-18 HEX FLANGENUT                |            |
| 17   | 526-000   | 4     | 5/16 FLAT WASHER                     |            |
| 16   | 465-000   | 4     | 5/16-18 X 7/8 HEX HEAD BOLT          |            |
| 15   | S-7606    | 1     | PTO SHAFT GUARD                      |            |
| 14   | 484-000   | 4     | #10 SPLIT LOCKWASHER                 |            |
| 13   | 6372-000  | 4     | #10-32 HEX NUT                       |            |
| 12   | 52464-002 | 4     | #10-32 X 1-1/2 ROUND HEAD SCREW      |            |
| 11   | 300105    | 1     | LOWER SHAFT GUARD                    |            |
| 10   | 91658-015 | 4     | 3/8-16 X 4 HEX HEAD BOLT             |            |
| 9    | 62825-004 | 8     | SPACER                               |            |
| 8    | 300104    | 1     | PTO SHAFT GUARD SUPPORT PLATE        |            |
| 7    | 300096    | 1     | SHAFT WASHER                         |            |
| 6    | 300106-1  | 1     | BELLEVILLE WASHER, 5/8"              |            |
| 5    | 350096-35 | 1     | M16-2.00 X 35MM HEX HEAD BOLT        |            |
| 4    | 97436-010 | 12    | M10 SPLIT LOCKWASHER                 |            |
| 3    | 94282-035 | 12    | M10 X 1.25 X 35 MM HEX HEAD BOLT     |            |
| 2    | 91099-004 | 1     | GEARCASE & ADAPTER ASSY              |            |
| 1    | 351811-4  | 1     | GENERATOR                            |            |
| ITEM | PART NO   | QUAN. | DESCRIPTION                          |            |

|  |              |                          |                                |         |          |
|--|--------------|--------------------------|--------------------------------|---------|----------|
| A  | C3847        | ORIGINAL                 | 7/8/2016                       | ZJF     | ZJF      |
| ISSUE  | E.C.O. NO.   | DESCRIPTION              | DATE                           | BY      | APPD     |
| REVISION RECORD  |              |                          |                                |         |          |
| UNLESS OTHERWISE SPECIFIED   |              | MACHINED SURFACE TEXTURE | ALL DIMENSIONS GIVEN IN INCHES |         |          |
| FRACTIONS ±  |              |                          | WORK TO DIMENSIONS             |         |          |
| 1. PLACE DEC. ± .1<br>2. PLACE DEC. ± .015<br>3. PLACE DEC. ± .005 |              |                          | - DO NOT SCALE -               |         |          |
| DRAWN BY   | DATE         | CHKD BY                  | DATE                           | APPD BY | SCALE    |
| ZJF  | 7/8/2016     |                          |                                | ZJF     | 7/8/2016 |
| MATERIAL:  |              |                          |                                |         |          |
| FINISH   |              | TITLE                    |                                |         |          |
| ASSY   |              | COMPLETE UNIT ASSEMBLY   |                                |         |          |
| MODEL  | W145PTOS-4/F |                          |                                |         |          |
|  |              |                          | 64868-013                      |         |          |

THIS DRAWING CONTAINS PROPRIETARY INFORMATION BELONGING TO WINPOWER. UNAUTHORIZED USE IS PROHIBITED.