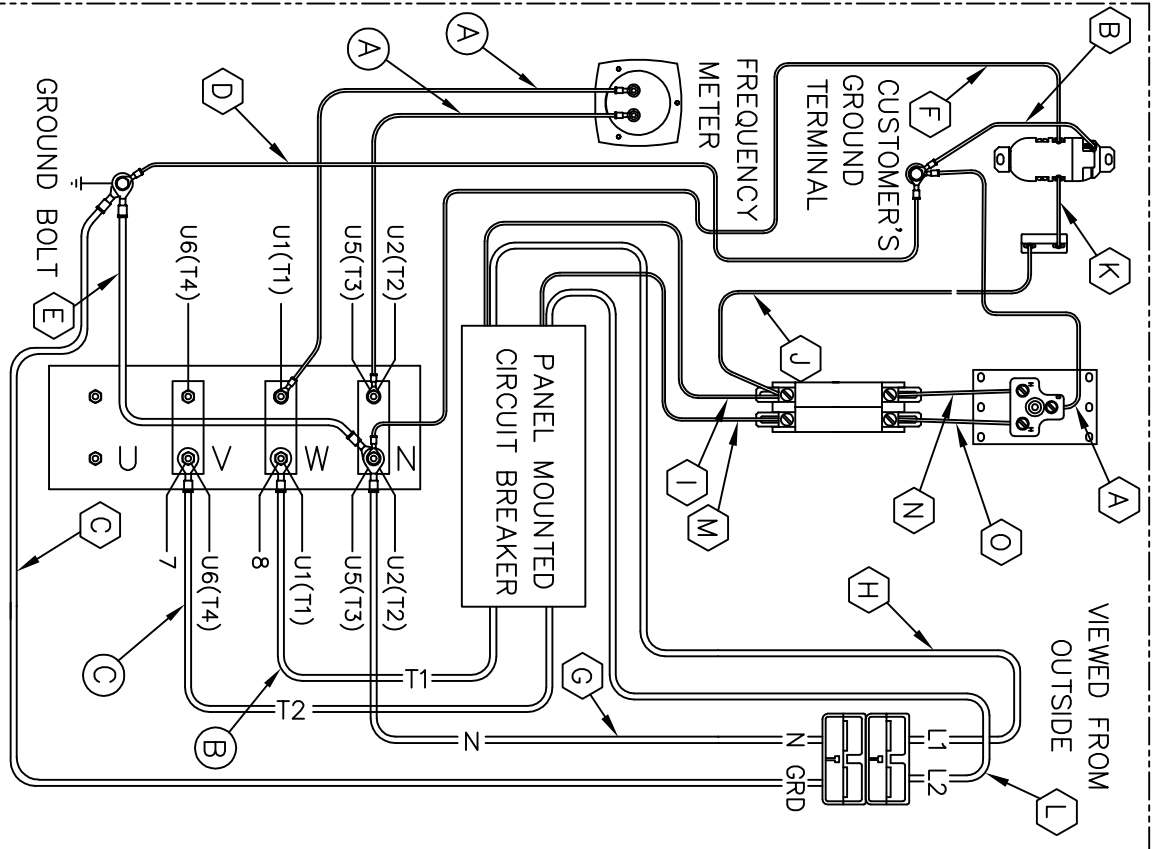


NOTES:

- LETTERS IN HEXAGON (B) ARE I.D. OF LEADS FROM DRAWING B-300113-8
- LETTERS IN CIRCLES (B) ARE I.D. OF LEADS FROM DRAWING B-300101-14



WIRING DIAGRAM (SINGLE PHASE "4 WIRE"; 120/240)

30	100059-003	1	PALLET	(SHIPPING)
29	100054-650	1	BAG 52 X 24 X 45 1.0 MIL	(SHIPPING)
28	40965-000	2.75PT	SAE 85W 90-140	
27	64914-000	16	M6 X 1.0 RETAINER NUT	
26	1744-000	4	1/2-13 HEXNUT	(SHIPPING)
25	21867-000	4	1/2 FLATWASHER	(SHIPPING)
24	61603-005	4	1/2-13 X 2-1/2 CARRIAGE BOLT (SHIPPING)	
23	BP10099	1	PLUG KIT (SHIPPED LOOSE)	
22	60706-160	1	OPERATORS MANUAL	
21	64894-001	1	DECAL AND NAMEPLATE INSTALLATION	
20	300113-8	1	RECEPTACLE PANEL ASSEMBLY	
19	300101-14	1	MAIN LINE BREAKER PANEL ASSEMBLY	
18	16249-000	4	5/16-18 HEX FLANGENUT	
17	526-000	4	5/16 FLAT WASHER	
16	465-000	4	5/16-18 X 7/8 HEX HEAD BOLT	
15	S-7606	1	PTO SHAFT GUARD	
14	484-000	4	# 10 SPLIT LOCKWASHER	
13	6372-000	4	#10-32 NUT HEX ZINC	
12	52464-002	4	#10-32 X 1-1/2 ROUND HEAD SCREW	
11	300105	1	LOWER SHAFT GUARD	
10	91658-015	4	3/8-16 X 4 HEX HEAD BOLT	
9	62825-004	8	SPACER	
8	300104	1	PTO SHAFT GUARD SUPPORT PLATE	
7	300096	1	SHAFT WASHER	
6	300106-1	1	BELLEVILLE WASHER, 5/8"	
5	350096-35	1	M16-2.00 X 35MM HEX HEAD BOLT	
4	97436-008	12	M8 SPLIT LOCKWASHER	
3	96002-040	12	M8 X 1.25 X 40 MM HEX HEAD BOLT	
2	91099-003	1	GEARCASE & ADAPTER ASSY	
1	351810-51	1	GENERATOR	

REV	IRN	DESCRIPTION	DATE	BY	APPD
B	7203	MOVED GROUND WIRE C & ADDED TORQUE SPEC, BAG, OIL & PALLET	5/24/2017	SJM	DRC
A	C3847	ORIGINAL	7/8/2016	ZJF	ZJF

UNLESS OTHERWISE SPECIFIED	MACHINED SURFACE TEXTURE	ALL DIMENSIONS GIVEN IN INCHES
FRACTIONS ±	ANGULAR ± 1.5°	WORK TO DIMENSIONS
1. PLACE DEC. ± .1		- DO NOT SCALE -
2. PLACE DEC. ± .015		
3. PLACE DEC. ± .005		

DRAWN BY	DATE	CHKD BY	DATE	APPD BY	DATE	SCALE
ZJF	7/8/2016			ZJF	7/8/2016	1=9

TITLE	COMPLETE UNIT ASSEMBLY
FINISH	
ASSY	
MODEL	W85PTOS-3/F
PART NO.	64864-010

THIS DRAWING CONTAINS PROPRIETARY INFORMATION BELONGING TO WINCO. UNAUTHORIZED USE IS PROHIBITED.

