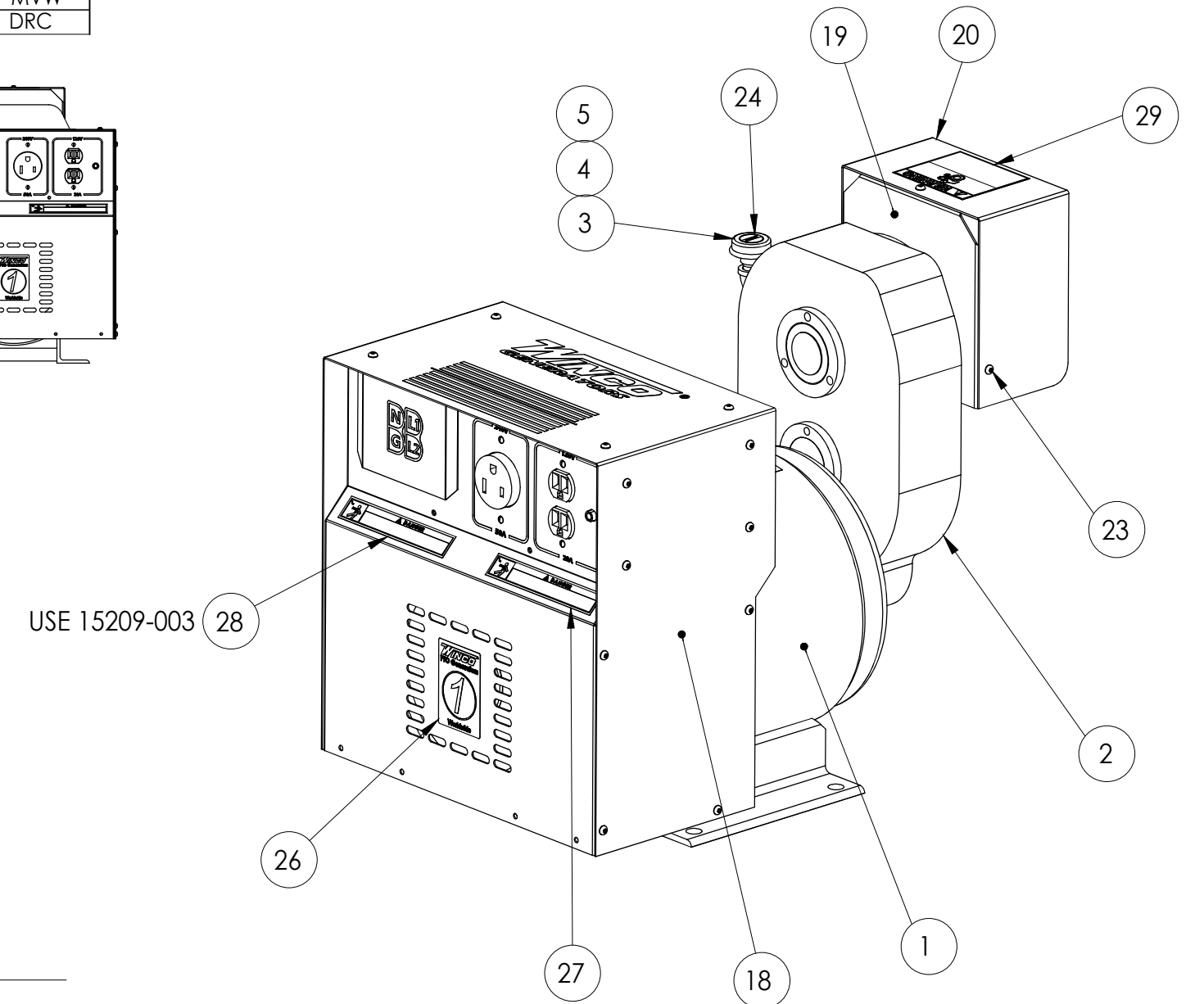
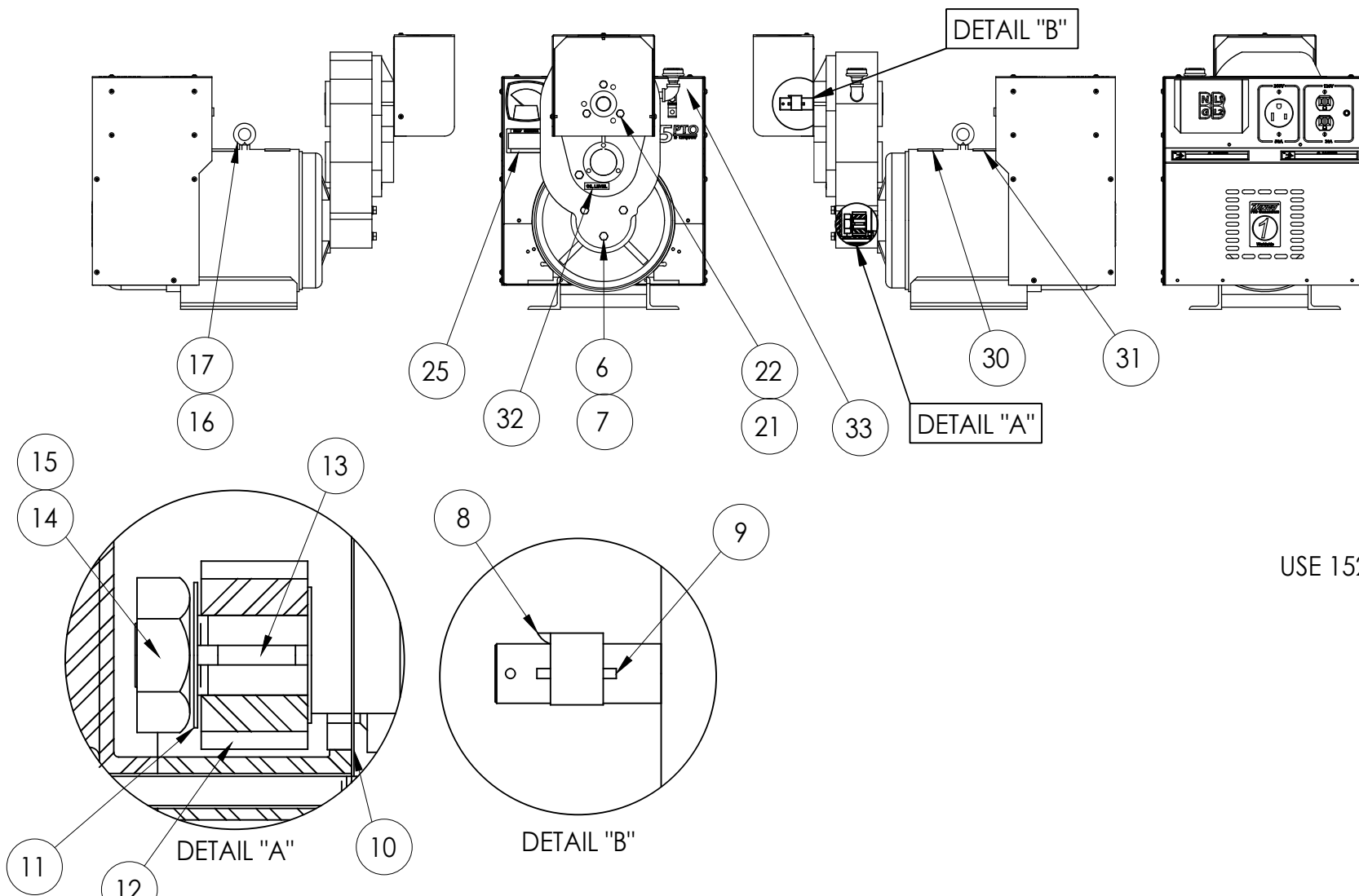


61155-013

ISSUE	E.C.O. NO.	DESCRIPTION	DATE	BY	APP'D
1		- ORIGINAL -	12/1/10	RLC	CLR
2		ADDED 21698-001	10/13/11	PJY	CLR
3		ITEMS 42 WAS QTY 22, NOW 20	2/6/12	MVW	CLR
4	1699	ADDED 61216-009 AND 61216-010	2/6/12	MVW	MVW
5	2659	REPLACED 54661-001 WITH 54661-002	6/13/2014	PJY	DRC



ITEM NO.	PartNo	DESCRIPTION	QTY.	23	24	25	26	27	28	29	30	31	32	33	34	35	36	37	38	39	40	41	42	43	44																																																																					
1	61367-000	GENERATOR AND BASE ASSY	1	53644-000	SELF TAP SCREW	3	52077-000	DECAL-CAUTION OIL LEVEL	1	63966-007	KIT, NAMEPLATE WINCO PTO	1	98479-000	WINCO #1 WORLDWIDE DECAL	1	64516-000	DANGER STICKER	1	15209-003	UL-DECAL ELECTRICAL SHOCK CAN KILL	1	64515-000	DECAL- WARNING PTO	1	91369-001	DECAL- 1000 RPM	1	64605-000	SAFETY DECAL	1	16303-000	DECAL- OIL LEVEL	1	15750-000	GROUND DECAL	1	61679-00	SEALANT	.001 OZ	40965-000	GEAR OIL	1 QT.	100059-623	PALLET	1	100047-623	CARTON	1	100047-122	INNER CARTON	1	100047-707	BOX	1	60706-199	OPERATORS MANUAL	1	91861-001	PLUG KIT	1	21698-001	PTORX PAN HD.SHT.MTL.SCREW 10-16X ³ / ₈	20	61216-009	BOTTOM ASSEMBLY	1	61216-010	BOTTOM ASSEMBLY	1																									
2	54661-002	1000 RPM GEAR CASE	1	53196-000	3/8" PIPE ELBOW	1	53244-002	3/8" PIPE NIPPLE 1.5" LONG	1	64783-000	.375-16X4.25 HHCS	3	481-000	LOCKWASHER 3/8 SPLIT	3	1774-000	WOODRUFF KEY	1	4133-000	PIN	1	20136-000	GASKET	1	20139-000	1/4"INT. TOOTH LOCKWASHER	1	46545-000	PINION	1	20159-000	KEY	1	20160-000	1 1/4"-12 HEX JAM NUT	1	37	100047-623	CARTON	1	81589-002	LOCTITE #262	.03 OZ	38	100047-122	INNER CARTON	1	459-000	NUT HEX 3/8-16	1	39	100047-707	BOX	1	51559-000	3/8" EYE BOLT	1	40	60706-199	OPERATORS MANUAL	1	61000-020	CONTROL BOX ASSY	1	41	91861-001	PLUG KIT	1	53331-001	BACKING PLATE	1	42	21698-001	PTORX PAN HD.SHT.MTL.SCREW 10-16X ³ / ₈	20	53332-001	SHIELD	1	43	61216-009	BOTTOM ASSEMBLY	1	21	480-000	LOCKWASHER 5/16 SPLIT ZINC	3	44	61216-010	BOTTOM ASSEMBLY	1	22	477-000	.3125-18X.625 HHCS	3

NOTES:

- ITEMS (40,41,20,21,22) PLACED INSIDE ITEM (39) FOR SHIPPING
- REFERENCE 61000-020 AND 61170-003 FOR WIRING
- TORQUE ITEMS (6,7) TO 40 FT.-LBS.
- INSTALL ITEM (14) WITH BEVEL TOWARD GEAR, TORQUE TO 100 FT.-LBS.

UNLESS OTHERWISE SPECIFIED				MACHINED SURFACE TEXTURE		ALL DIMENSIONS GIVEN IN INCHES WORK TO DIMENSIONS FLAT OUTSIDE VIEW SHOWN UNLESS NOTED -DO NOT SCALE-			
FRACTIONS	1 PLACE DEC.	.1	ANGULAR	1.5					
2 PLACE DEC.	.015								
3 PLACE DEC.	.005								
	DRAWN BY	DATE	CHK'D BY	DATE	ENG APPR.	DATE	SCALE		
	RLC	12/1/2010			CLR	12/1/2010			
THIS DRAWING CONTAINS PROPRIETARY INFORMATION BELONGING TO WINCO. UNAUTHORIZED USE IS PROHIBITED	MATERIAL:		TITLE:		COMPLETE ASSEMBLY				
	FINISH:		PART NO.						
	ASSY:		25FPTO						
	MODEL:		25FPTO						
		PART NO.		61155-013					