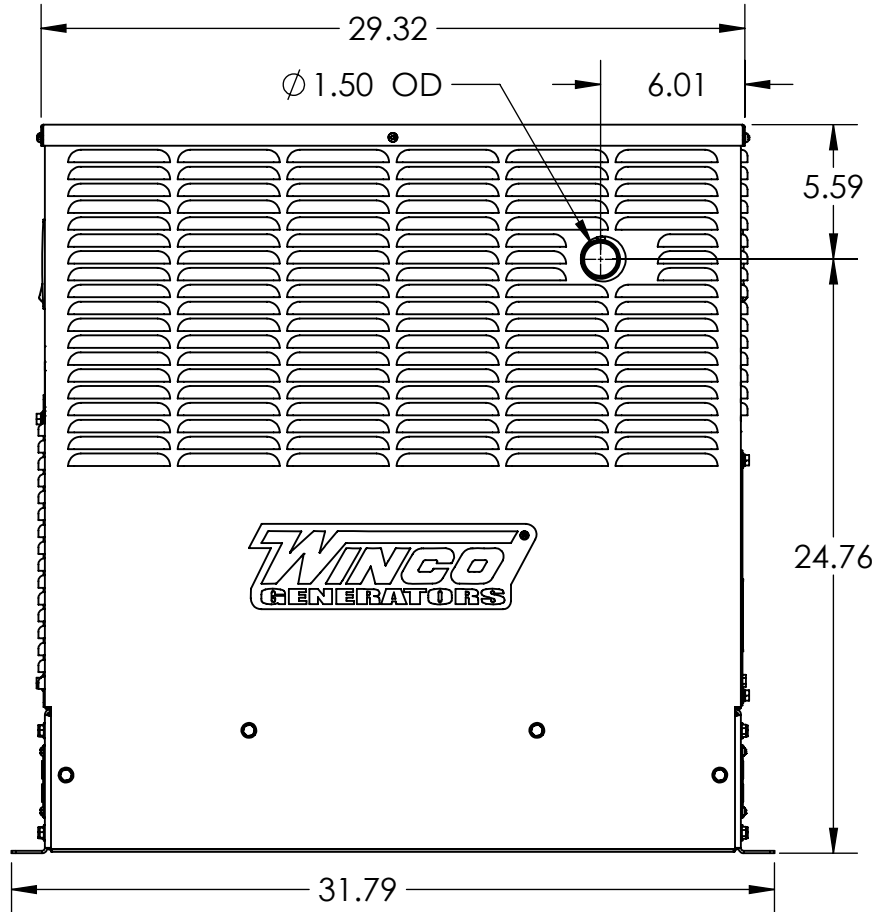


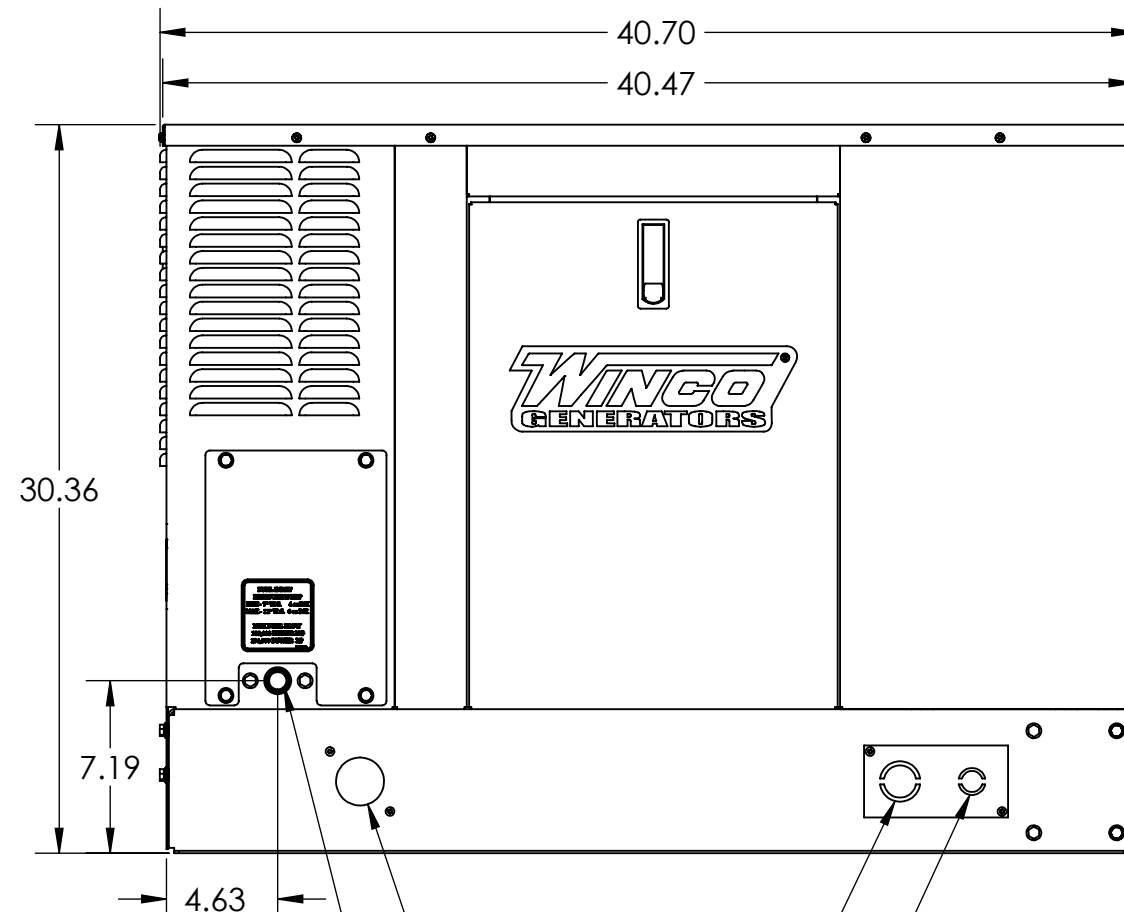
O-585

REVISIONS					
REV.	IRN	DESCRIPTION	DATE	BY	APP'D
*	P363	NEW PART	6/24/2024	VP	DRC

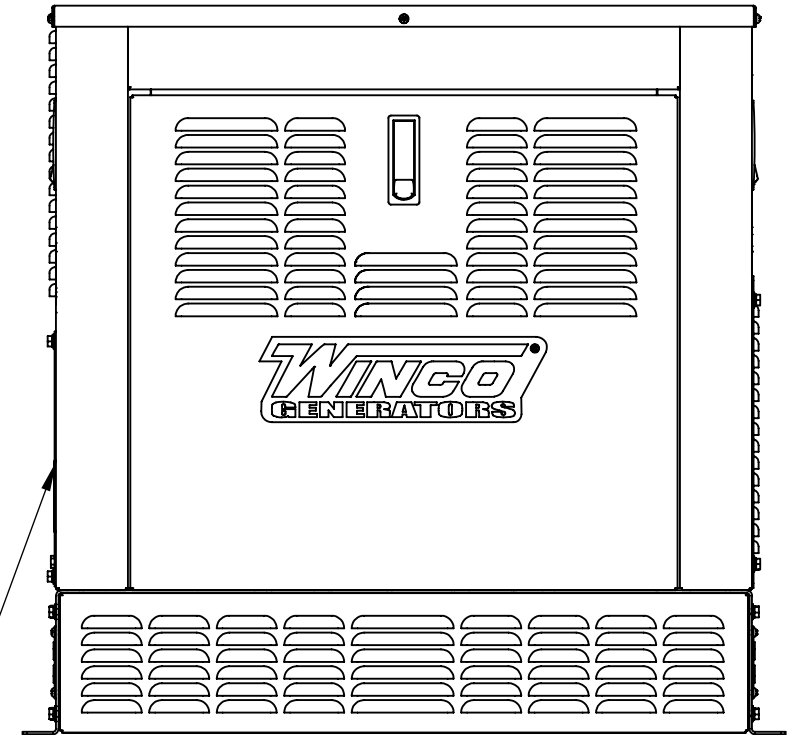
FRONT



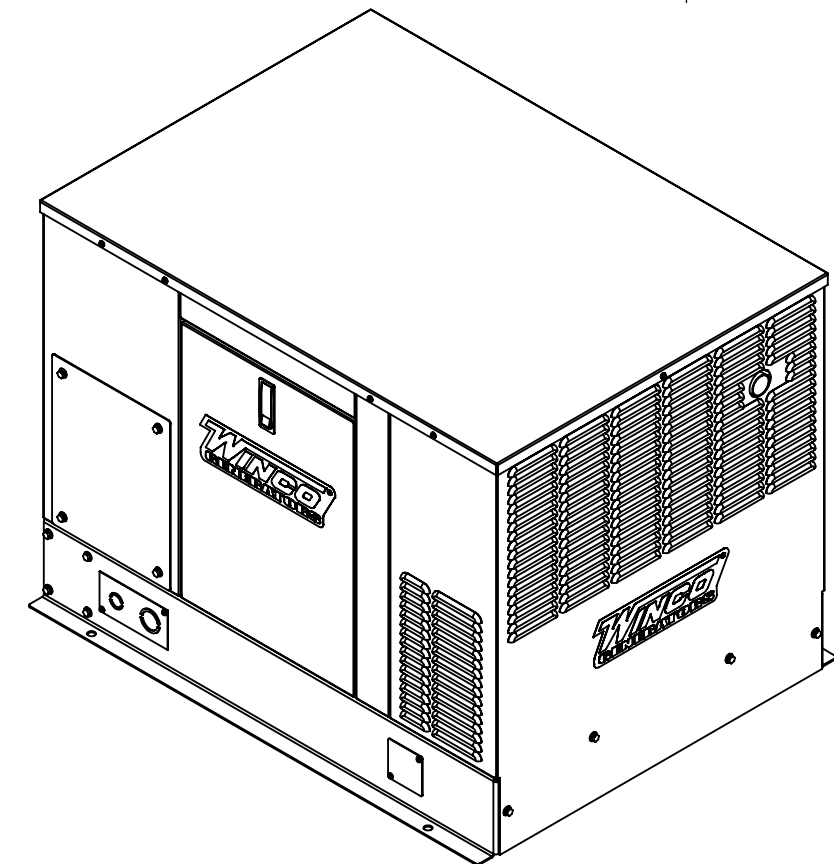
LEFT SIDE



REAR



MAINTENANCE ACCESS PANEL BOTH SIDES AND REAR



- LIFT POINT ϕ 2.00 (4 PLACES)
- ϕ .75 NPT FUEL INLET
- KNOCKOUT ϕ 1.13 (2 PLACES)
- KNOCKOUT ϕ 1.69 (2 PLACES)

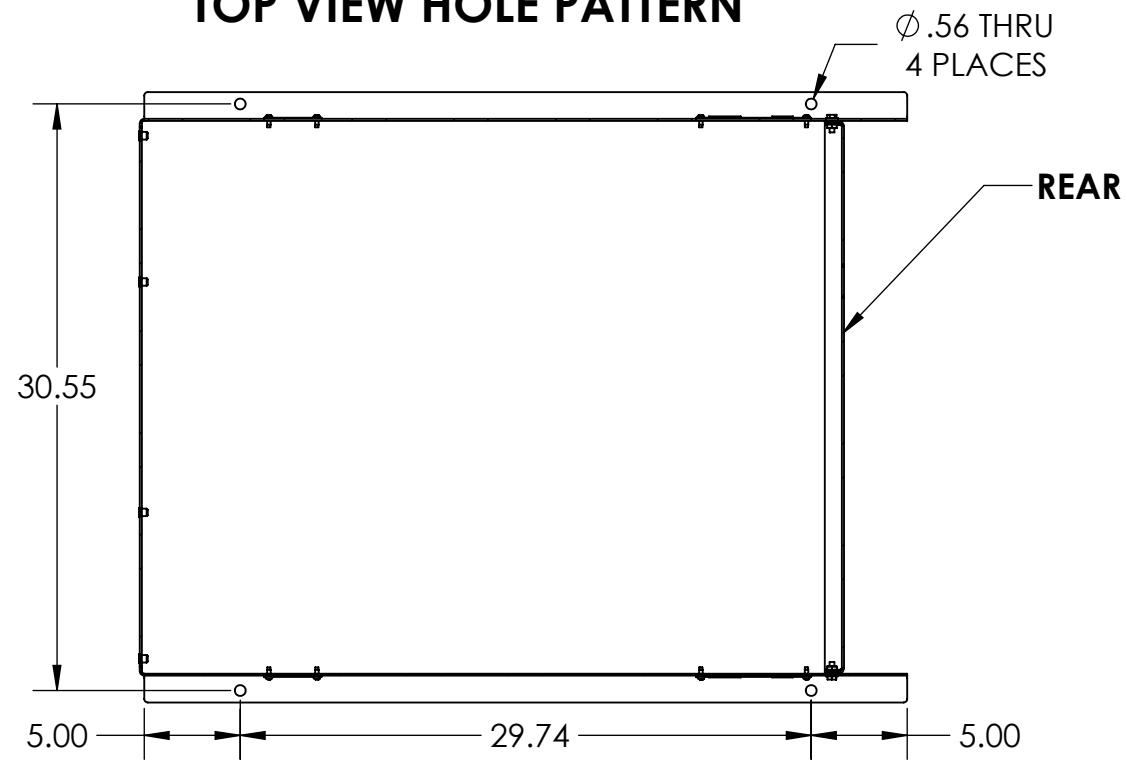
APPROX. WEIGHT: 500 LBS

THIS DRAWING CONTAINS PROPRIETARY INFORMATION BELONGING TO WINCO. UNAUTHORIZED USE IS PROHIBITED.	TOLERANCE:	+/- 0.0625 DECIMAL +/- 1 DEG ANGULAR	TITLE: OUTLINE DRAWING PSS11
	WEIGHT:	- LBS	
	MODEL:	PSS11	PART: O-585



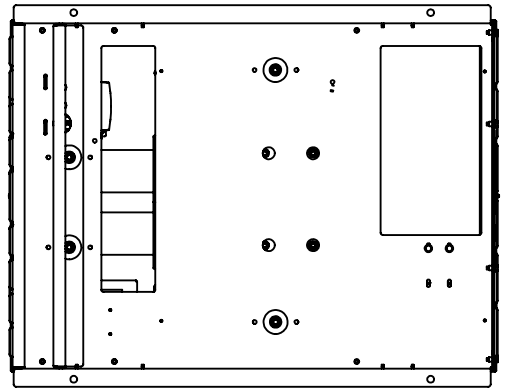
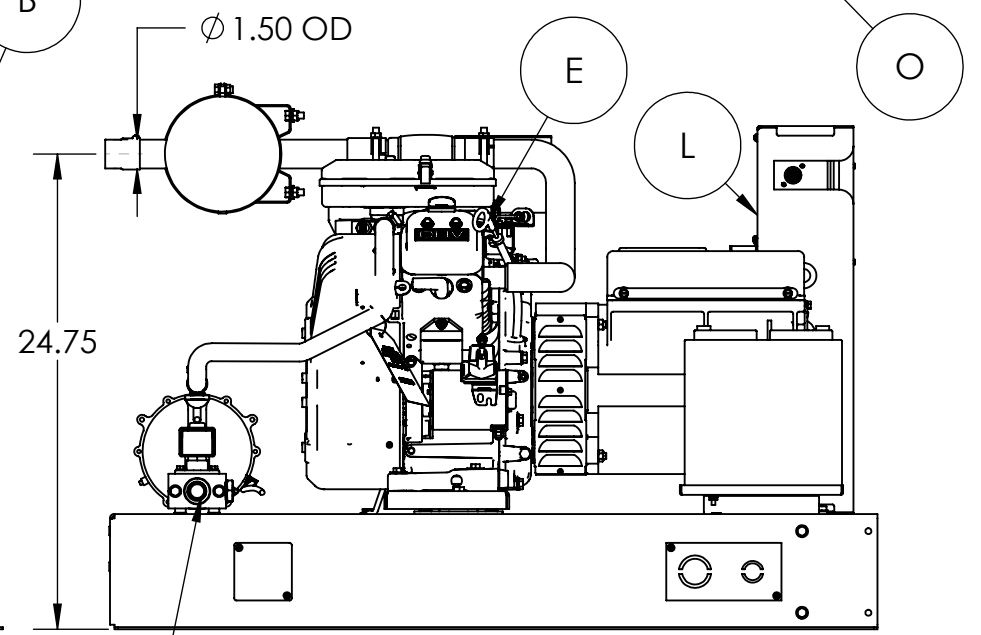
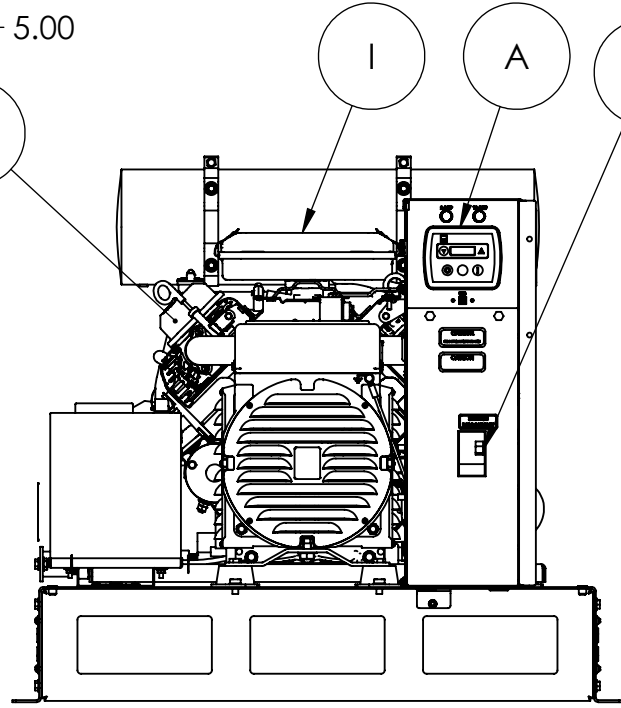
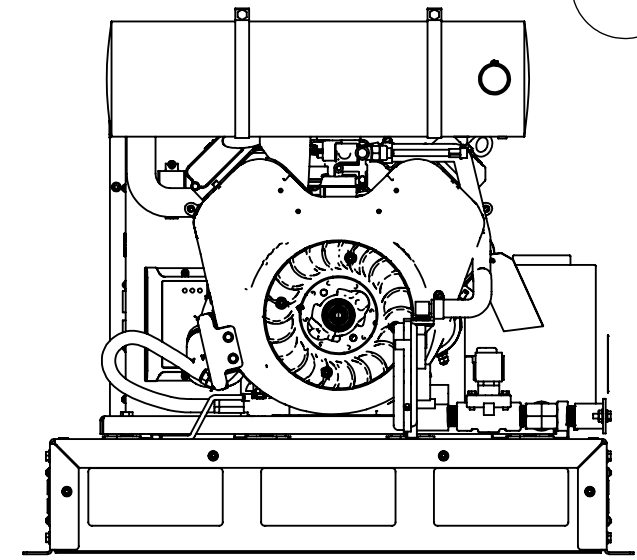
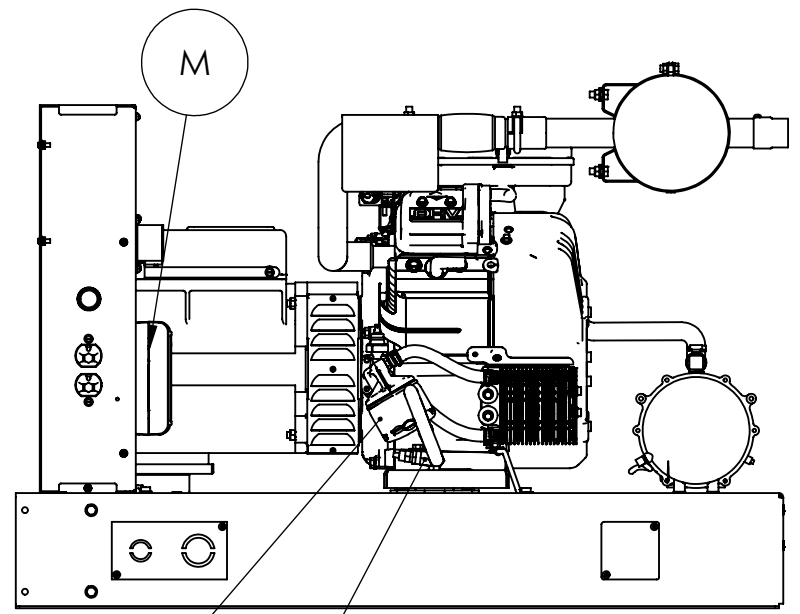
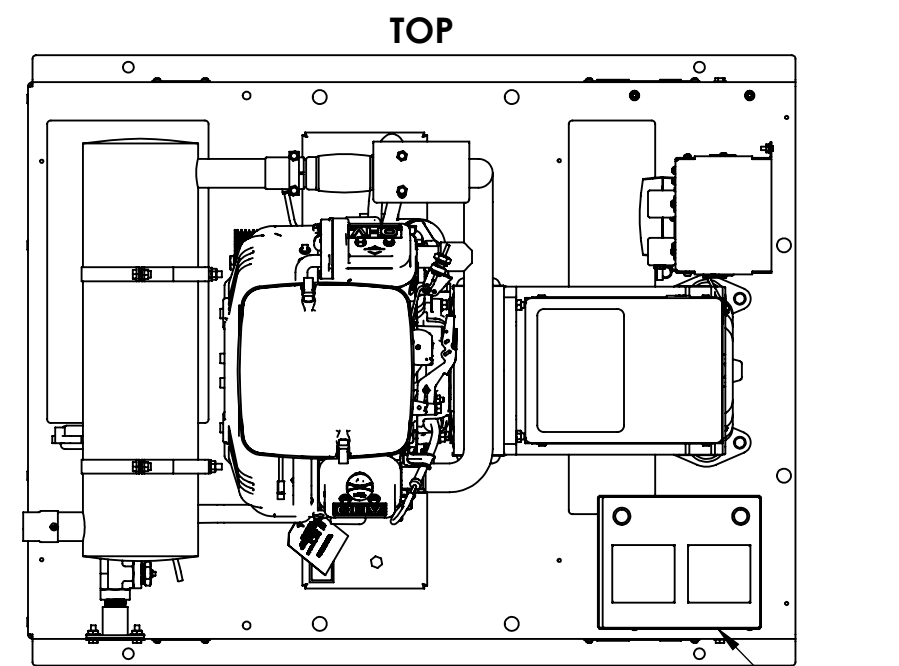
585-O

TOP VIEW HOLE PATTERN



REVISIONS					
REV.	IRN	DESCRIPTION	DATE	BY	APP'D
*	P363	NEW PART	6/24/2024	VP	DRC

KEY COMPONENTS	
A	ENGINE CONTROL
B	MAIN LINE CIRCUIT BREAKER
C	OIL FILL
D	OIL DRAIN
E	OIL DIPSTICK
F	OIL FILTER
H	FUEL INLET
I	AIR FILTER
L	AVR
M	BATTERY CHARGER
O	BATTERY



HOUSING HIDDEN FROM VIEWS TO SHOW DETAIL

THIS DRAWING CONTAINS PROPRIETARY INFORMATION BELONGING TO WINCO. UNAUTHORIZED USE IS PROHIBITED.	TOLERANCE:	+/- 0.0625 DECIMAL +/- 1 DEG ANGULAR	TITLE: OUTLINE DRAWING PSS11
	WEIGHT:	- LBS	
	MODEL:	PSS11	PART: O-585

