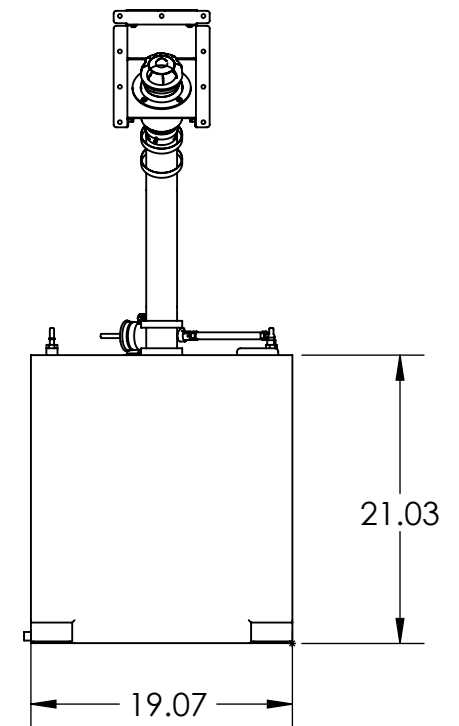
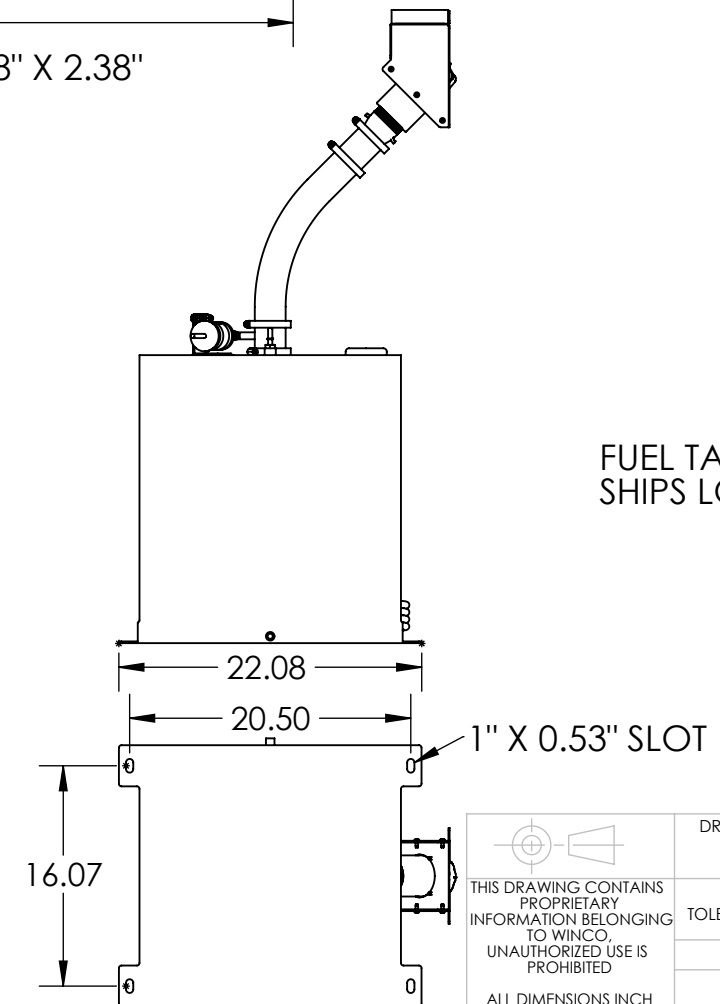
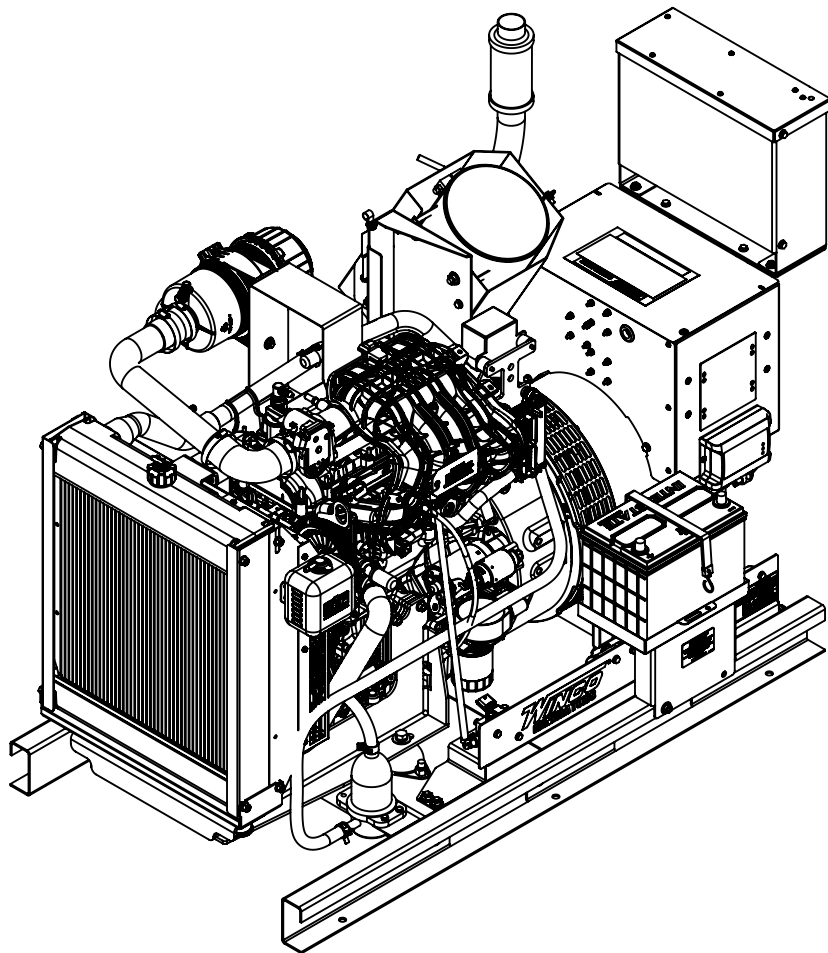
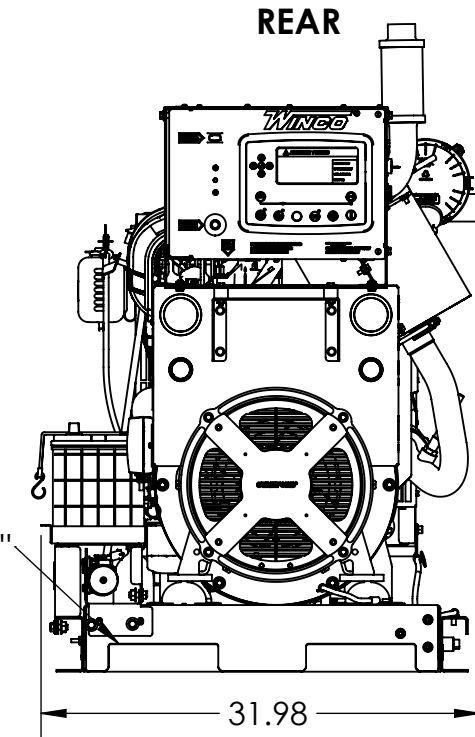
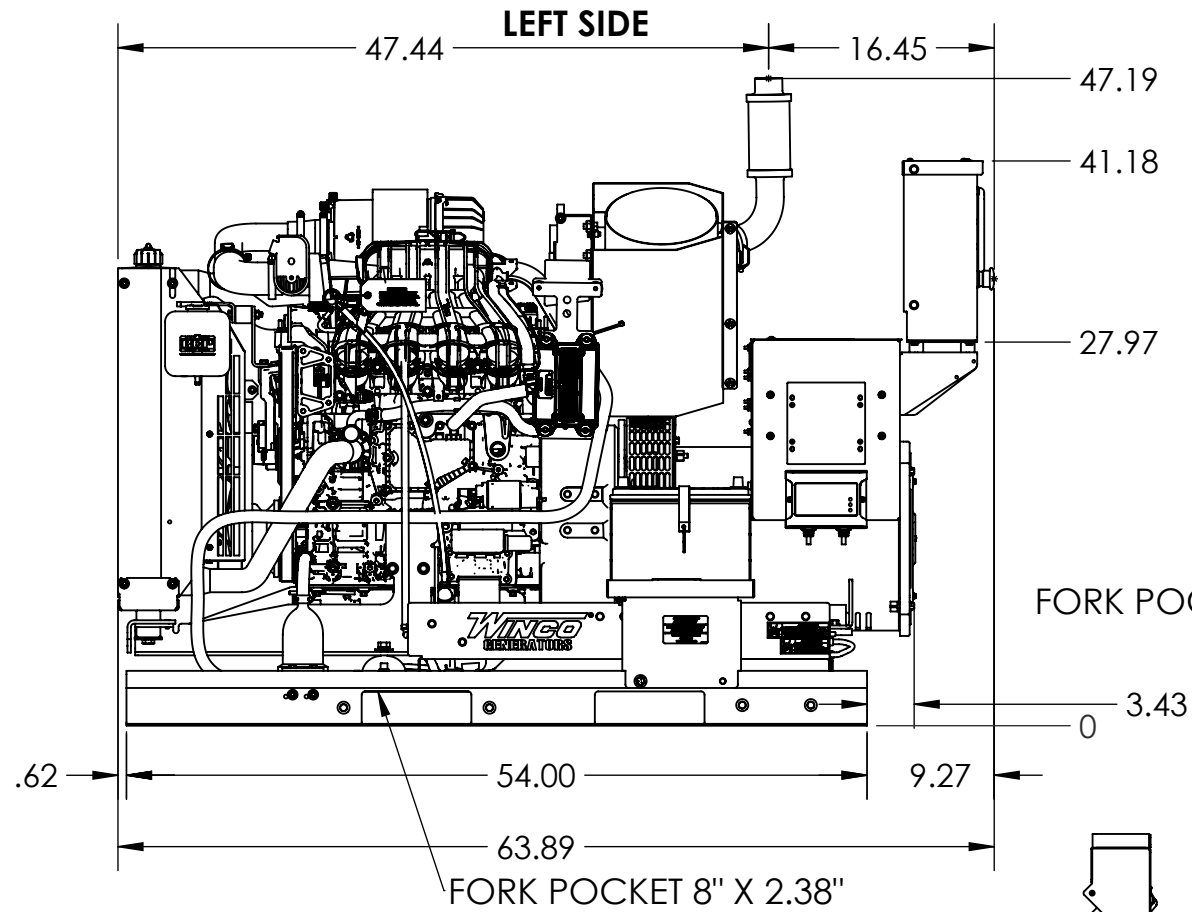
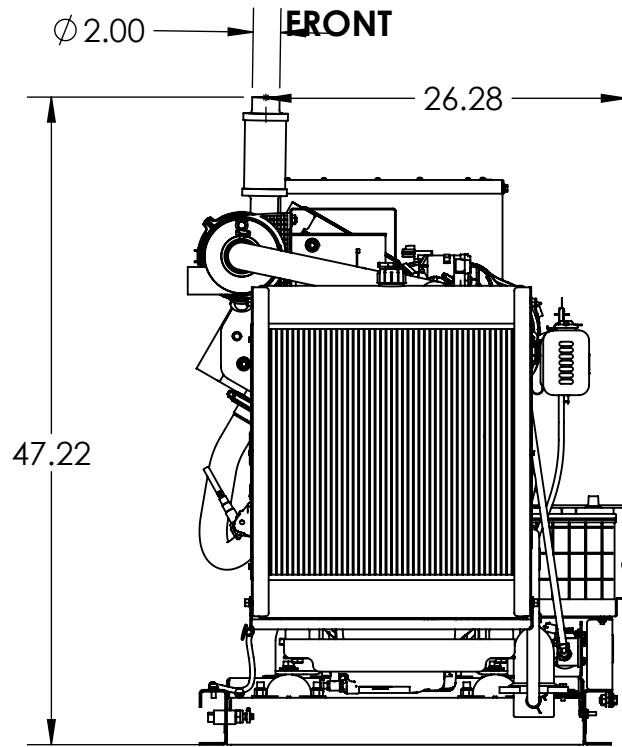


O-564

REVISIONS					
REV.	IRN	DESCRIPTION	DATE	BY	APP'D
C	P348	PILOT 2 UPDATES	1/18/2023	DRC	



APPROX. WEIGHT: 900 LBS

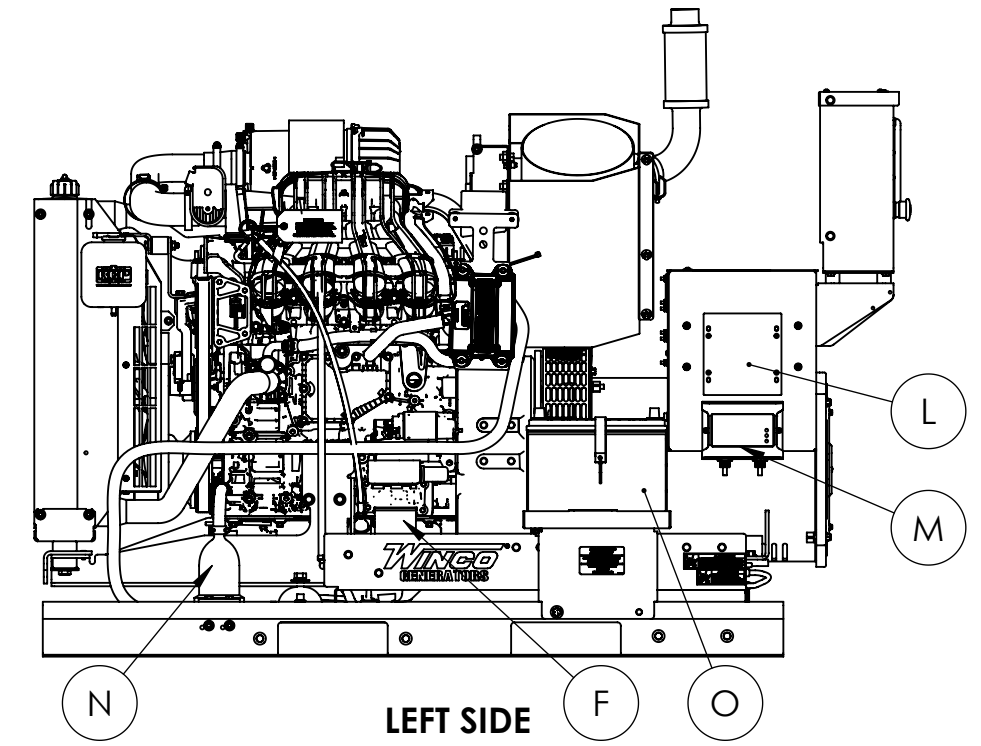
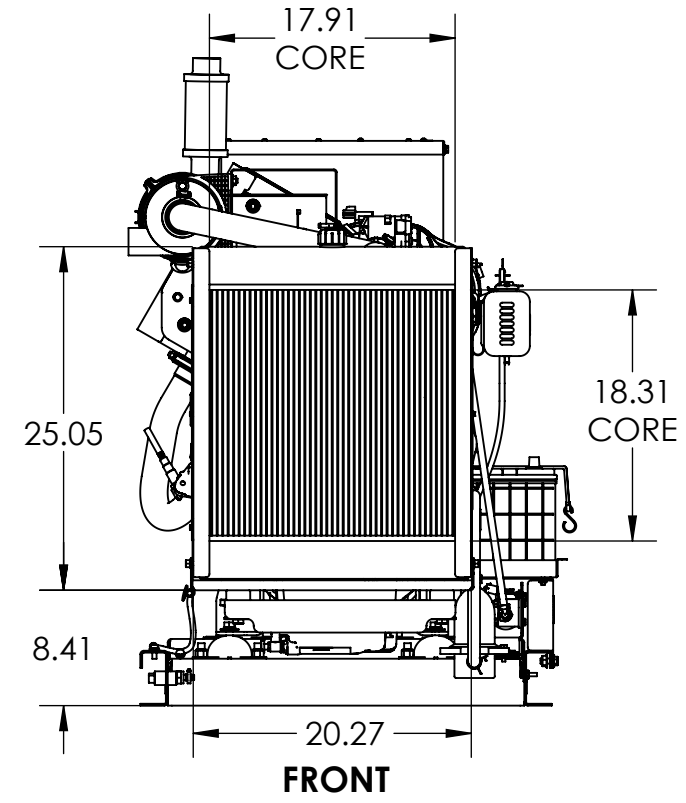
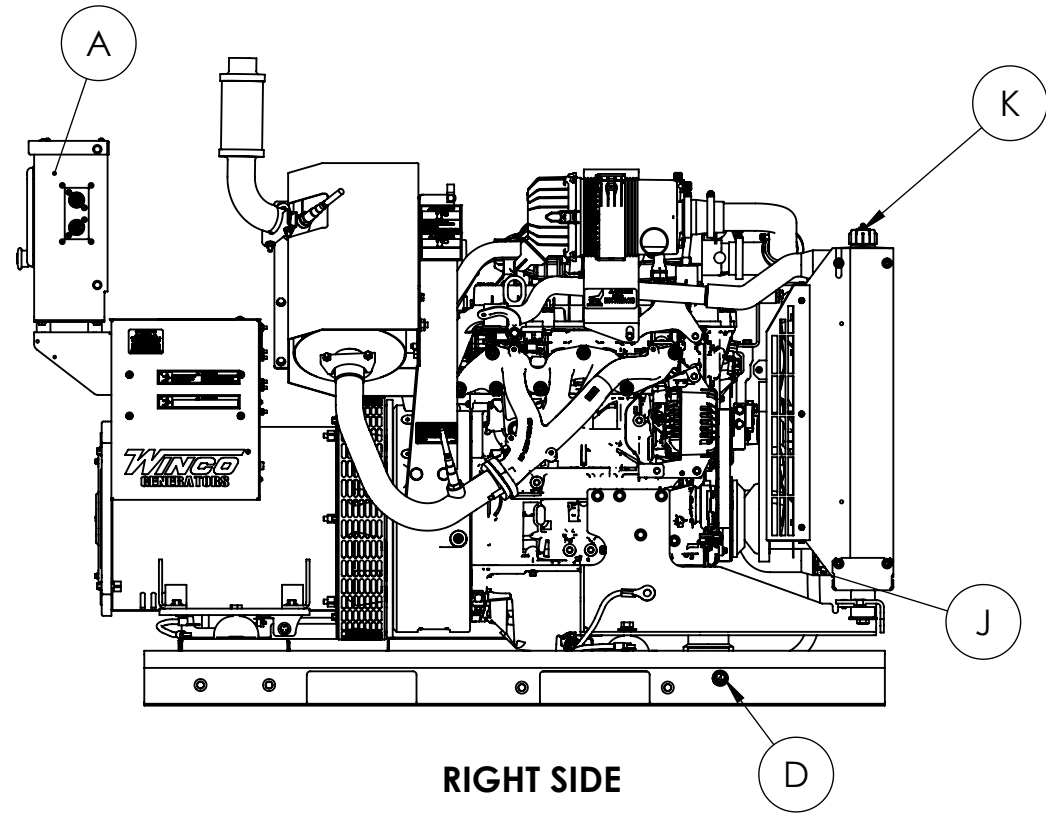
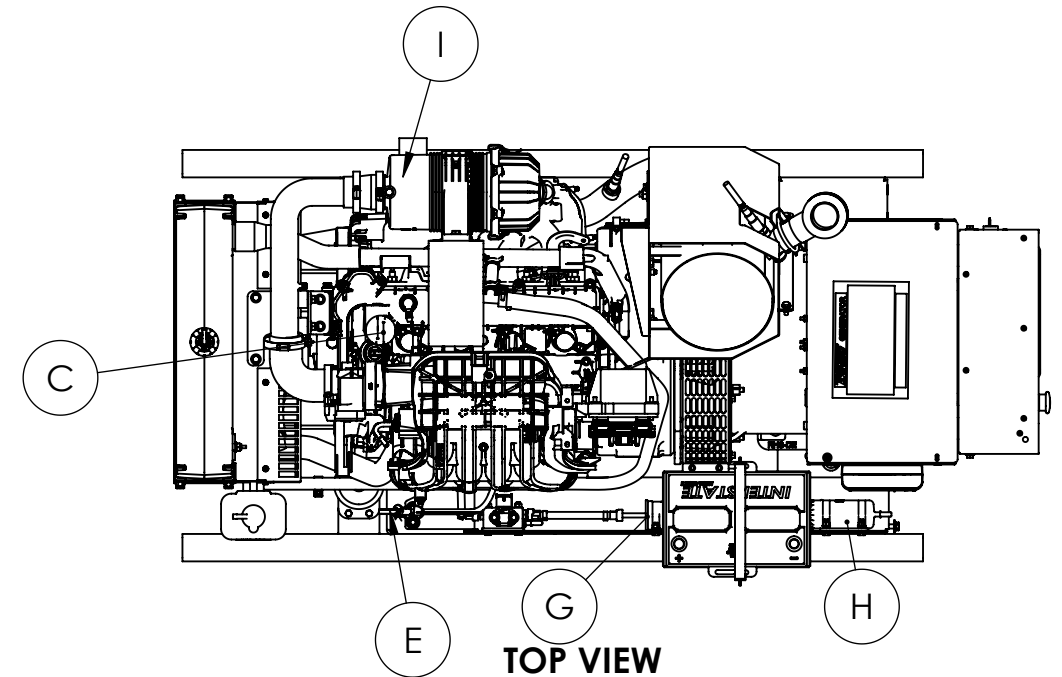
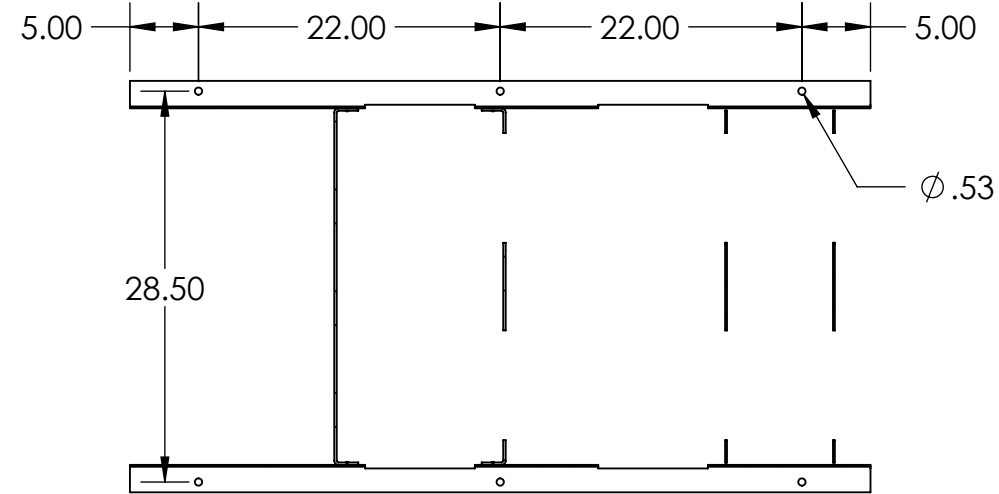
<p>THIS DRAWING CONTAINS PROPRIETARY INFORMATION BELONGING TO WINCO. UNAUTHORIZED USE IS PROHIBITED.</p> <p>ALL DIMENSIONS INCH</p>	DRAWN BY	DATE	CHK'D BY	DATE	ENG APPR.	DATE
	PAK	11/24/2020	---	--/--/---	PAK	07/23/2020
	TOLERANCE:	+/- 0.0625 DECIMAL		TITLE:		
MODEL:	PPG28		OUTLINE DRAWING			
		PART:	O-564		1 of 2	

O-564

REVISIONS					
REV.	IRN	DESCRIPTION	DATE	BY	APP'D
C	P348	PILOT 2 UPDATES	1/18/2023	DRC	

KEY COMPONENTS	
A	ENGINE CONTROL (REVERSIBLE)
B	--
C	OIL FILL
D	OIL DRAIN
E	OIL DIPSTICK
F	OIL FILTER
G	FUEL FILTER
H	FUEL PUMP
I	AIR FILTER
J	COOLANT DRAIN
K	COOLANT FILL
L	AVR
M	BATTERY CHARGER
N	BLOCK HEATER
O	BATTERY

TOP VIEW HOLE PATTERN



INDOOR UNIT: STUB UP ELECTRICAL COMING FROM TOP
THIS UNIT HAS A REVERSIBLE CONTROLLER THAT FITS ON BACK AND LEFT SIDE

<p>THIS DRAWING CONTAINS PROPRIETARY INFORMATION BELONGING TO WINCO. UNAUTHORIZED USE IS PROHIBITED.</p> <p>ALL DIMESNIONS INCH</p>	DRAWN BY	DATE	CHK'D BY	DATE	ENG APPR.	DATE
	RLV	9/14/2021			PAK	07/23/2020
	TOLERANCE:	+/- 0.0625 DECIMAL		TITLE:		
	MODEL:	PPG28		OUTLINE DRAWING		
			PART:	O-564	2 of 2	