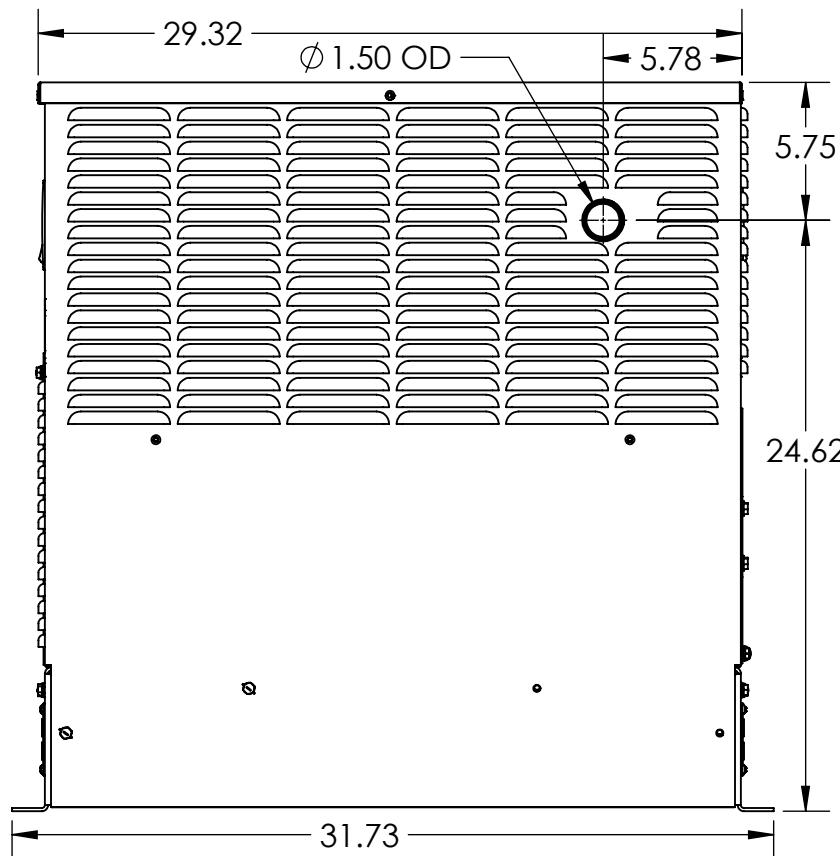


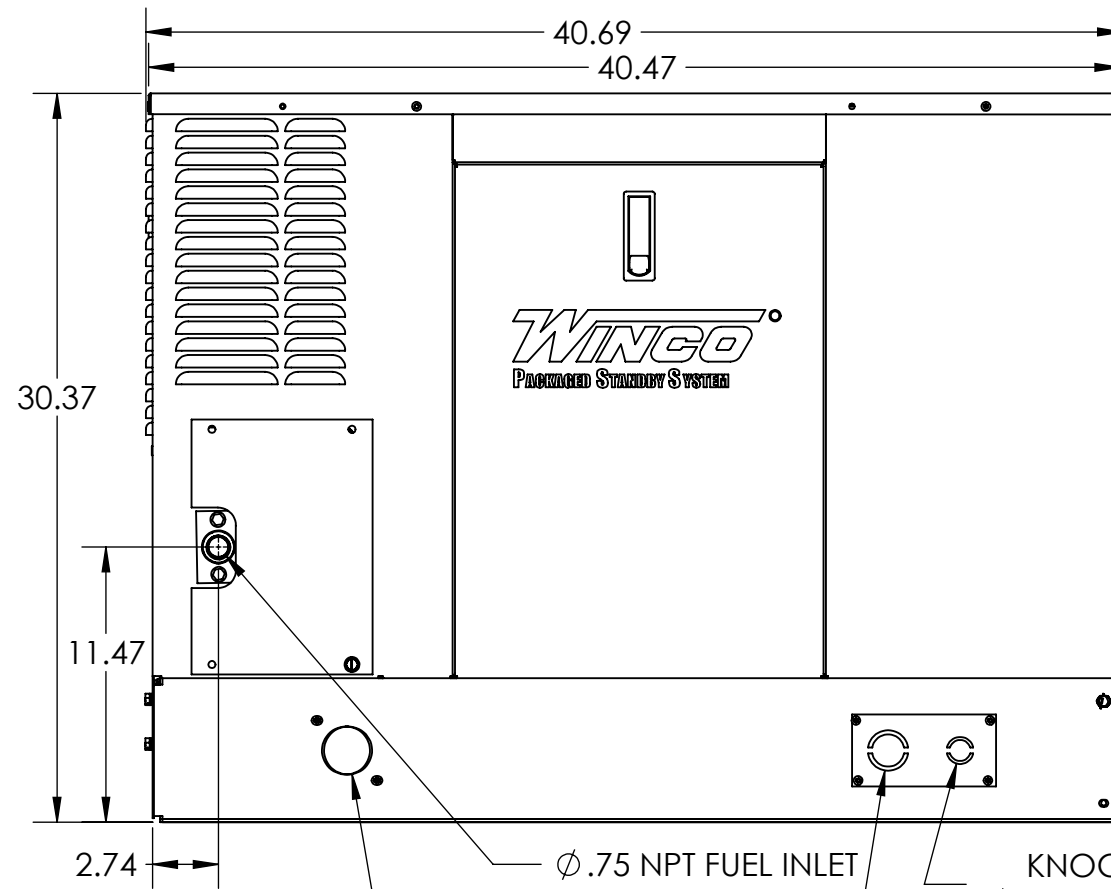
O-542

REVISIONS					
REV.	IRN	DESCRIPTION	DATE	BY	APP'D
A	PSS12	UPDATED OUTLINE DRAWING STANDARDS	1/6/2021	MCB	DRC

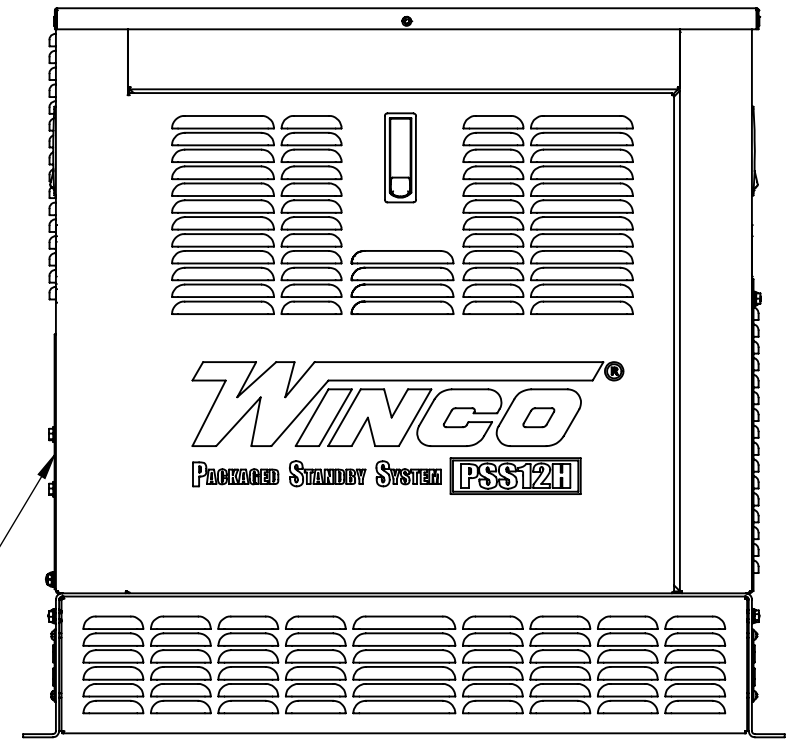
**FRONT**



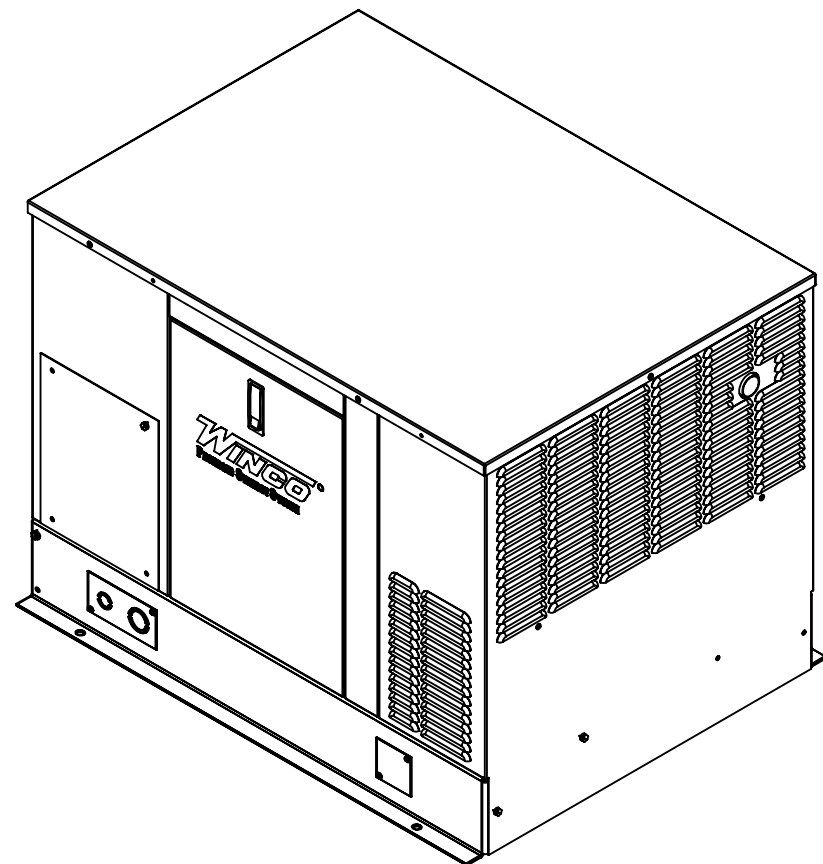
**LEFT SIDE**




**REAR**



**MAINTENANCE ACCESS PANEL BOTH SIDES AND REAR**



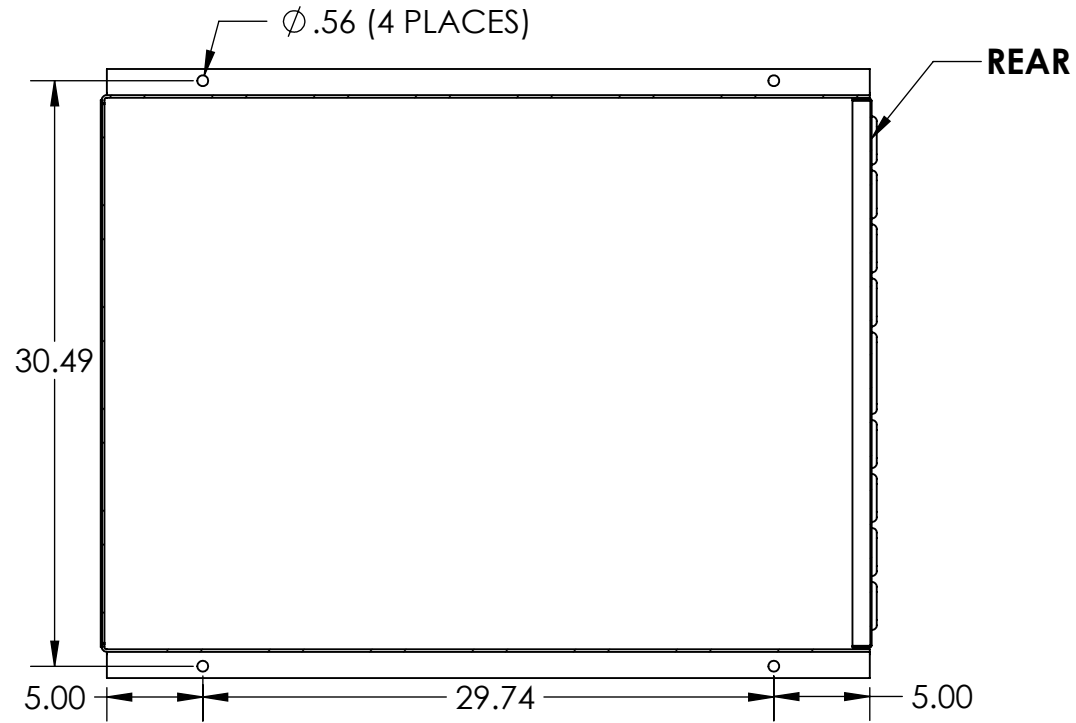
**APPROX. WEIGHT: 500 LBS**

 THIS DRAWING CONTAINS PROPRIETARY INFORMATION BELONGING TO WINGCO. UNAUTHORIZED USE IS PROHIBITED. ALL DIMENSIONS INCH	DRAWN BY	DATE	CHK'D BY	DATE	ENG APPR.	DATE
	PAK	11/24/2020	---	--/------	PAK	07/23/2020
	TOLERANCE:	+/- 0.0625 DECIMAL		TITLE:		
	MODEL:	+/- 1 DEG ANGULAR		OUTLINE DRAWING		
	WINGCO®	PART:	O-542	1 of 2		

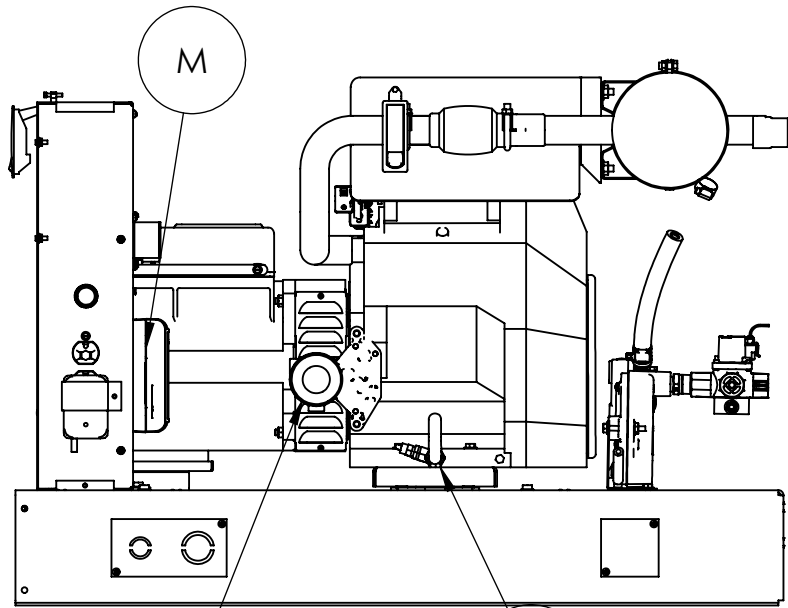
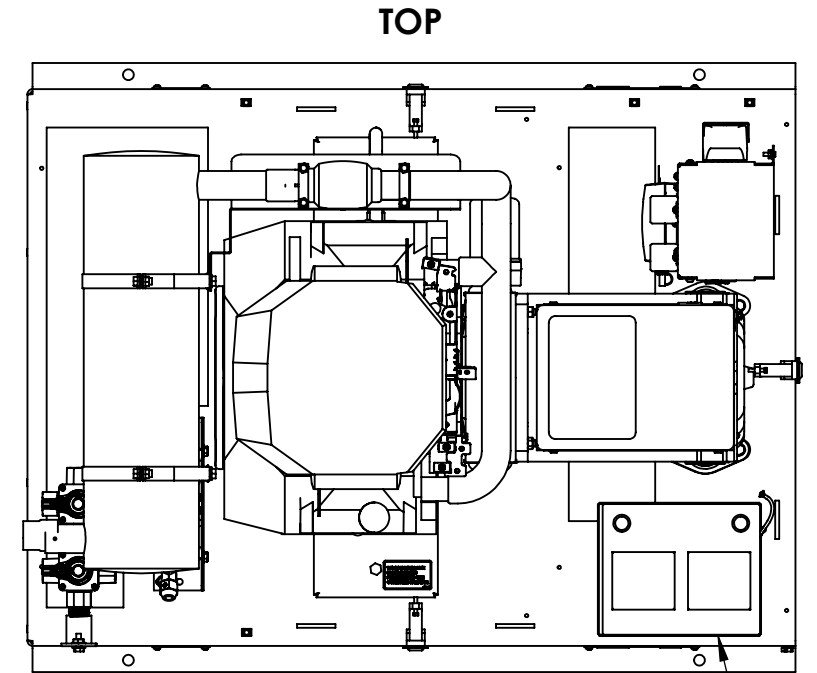
0-542

KEY COMPONENTS	
A	ENGINE CONTROL
B	MAIN LINE CIRCUIT BREAKER
C	OIL FILL
D	OIL DRAIN
E	OIL DIPSTICK
F	OIL FILTER
H	FUEL INLET
I	AIR FILTER
L	AVR
M	BATTERY CHARGER
O	BATTERY

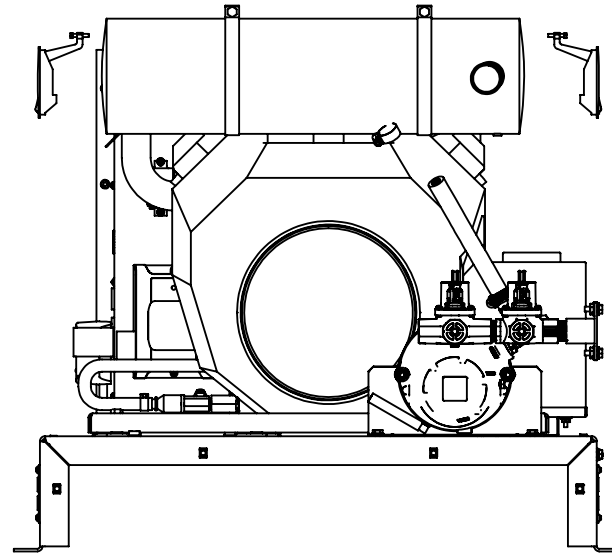
# TOP VIEW HOLE PATTERN



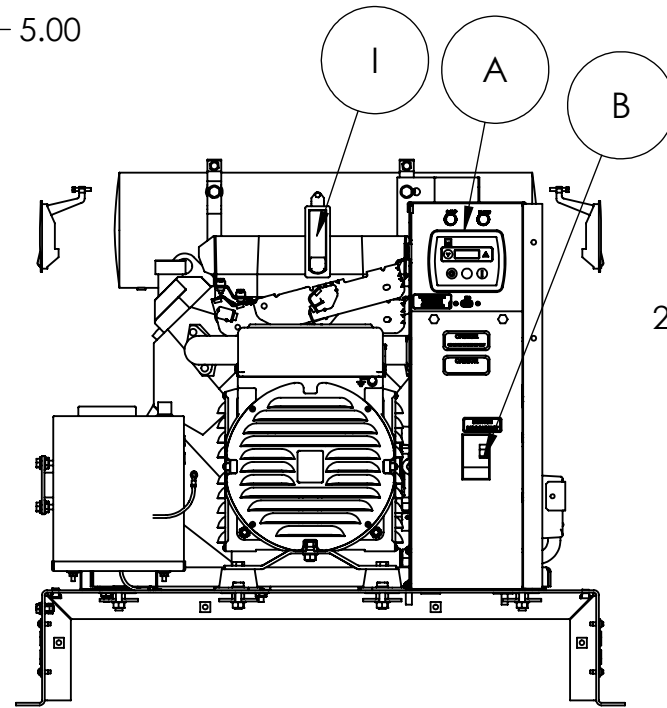
REVISIONS					
REV.	IRN	DESCRIPTION	DATE	BY	APP'D
A	PSS12	UPDATED OUTLINE DRAWING STANDARDS	1/6/2021	MCB	DRC



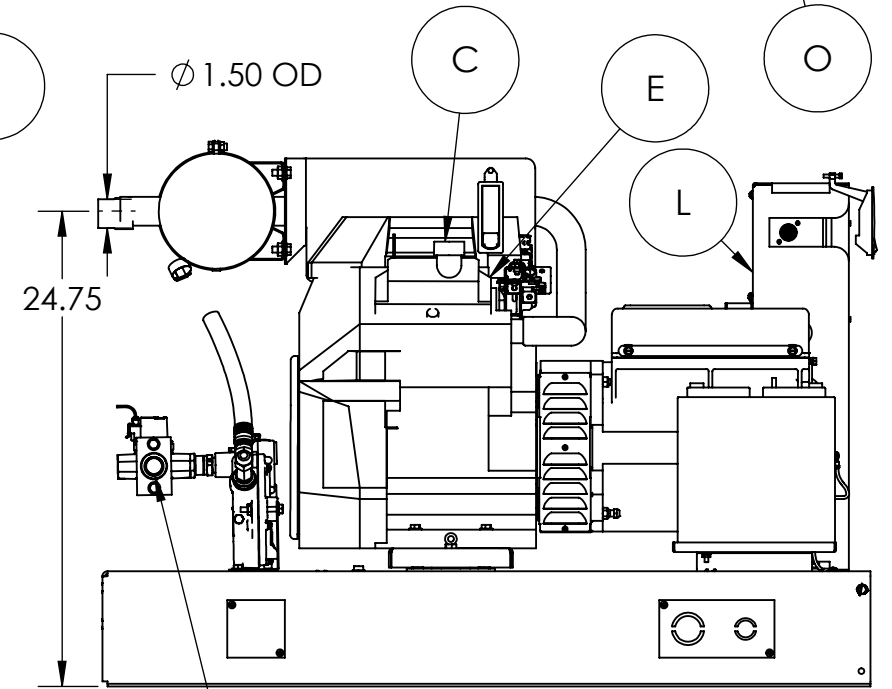
RIGHT SIDE



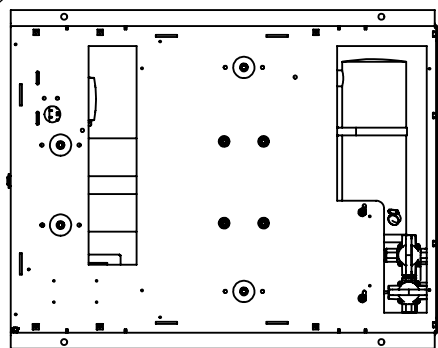
FRONT



REAR



LEFT SIDE



BOTTOM

**HOUSING HIDDEN FROM VIEWS TO SHOW DETAIL**

<p>THIS DRAWING CONTAINS PROPRIETARY INFORMATION BELONGING TO WINCO. UNAUTHORIZED USE IS PROHIBITED.</p> <p>ALL DIMENSIONS INCH</p>	DRAWN BY	DATE	CHK'D BY	DATE	ENG APPR.	DATE
	BWZ	1/31/2015			PAK	07/23/2020
	TOLERANCE:	+/- 0.0625 DECIMAL		TITLE:		
	MODEL:	PSS12		OUTLINE DRAWING		
	PART: O-542		2 of 2			