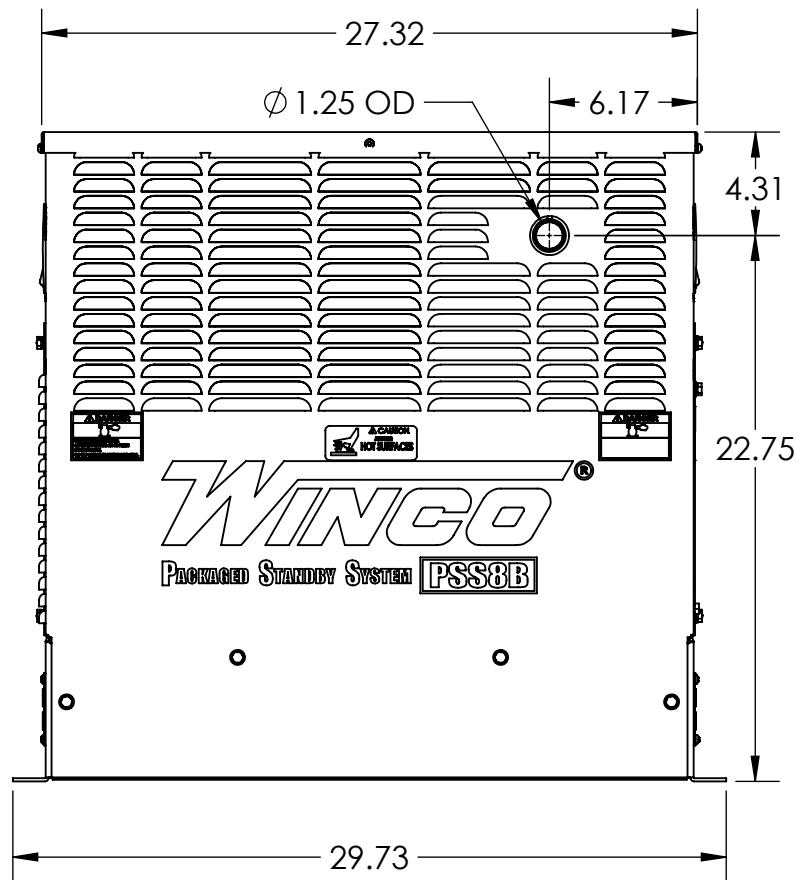
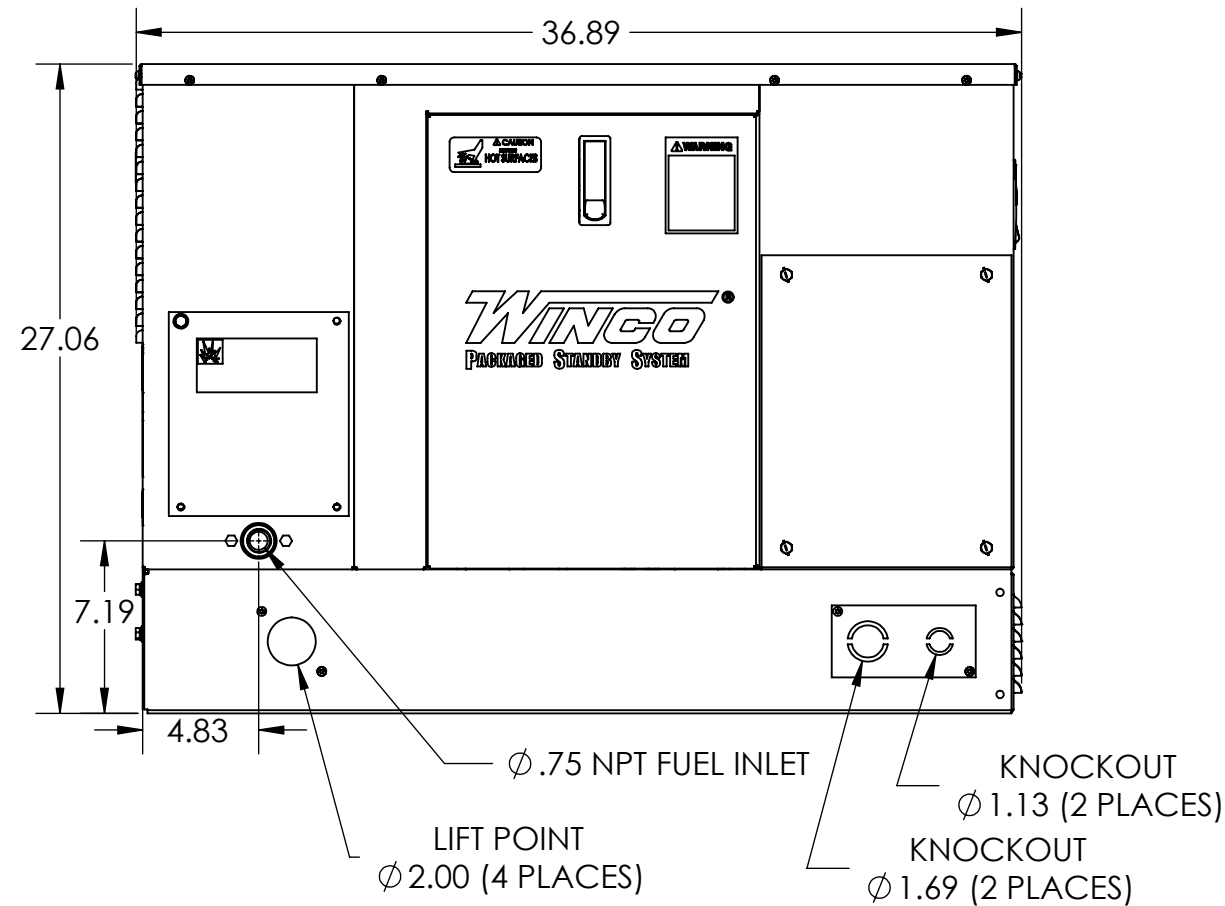


REVISIONS					
REV.	IRN	DESCRIPTION	DATE	BY	APP'D
A	PSS8	UPDATED OUTLINE DRAWING STANDARDS	1/6/2021	MCB	DRC

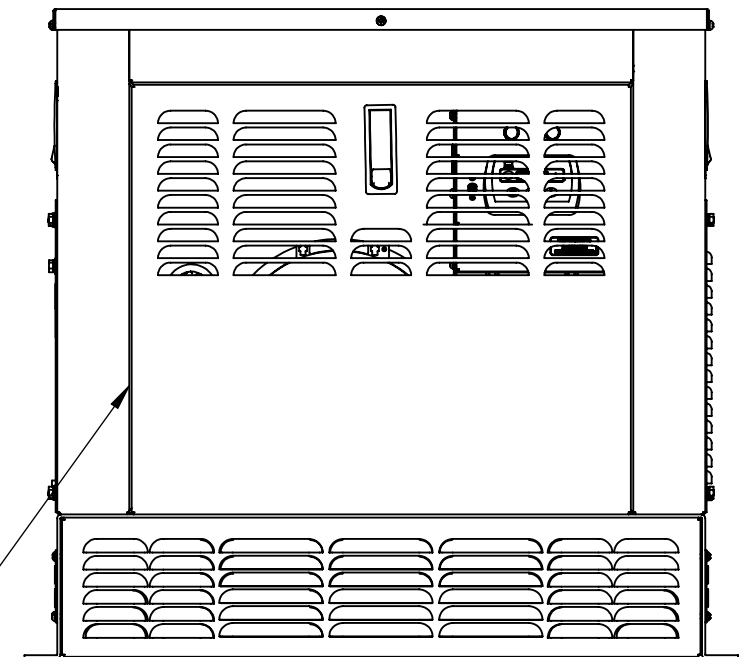
**FRONT**



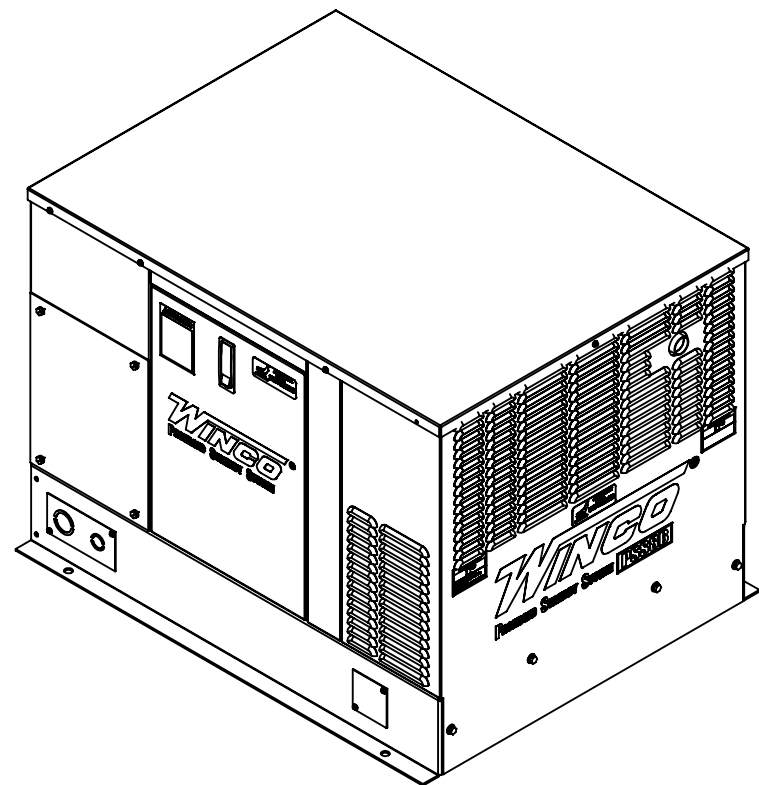
**LEFT SIDE**




**REAR**



**MAINTENANCE ACCESS PANEL  
BOTH SIDES AND REAR**



**APPROX. WEIGHT: 400 LBS**

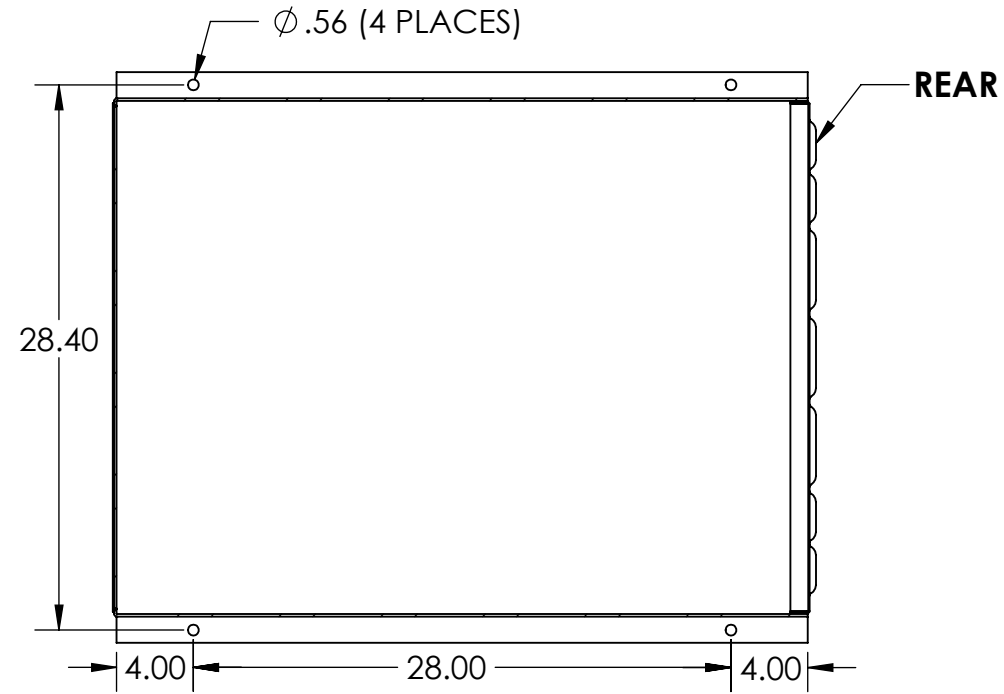
 THIS DRAWING CONTAINS PROPRIETARY INFORMATION BELONGING TO WINCO. UNAUTHORIZED USE IS PROHIBITED. ALL DIMENSIONS INCH	DRAWN BY	DATE	CHK'D BY	DATE	ENG APPR.	DATE
	PAK	11/24/2020	---	--/------	PAK	07/23/2020
	TOLERANCE:	+/- 0.0625 DECIMAL		TITLE:		
	MODEL:	PSS8		OUTLINE DRAWING		
	PART:		O-541		1 of 2	

175-O  
O-541

KEY COMPONENTS

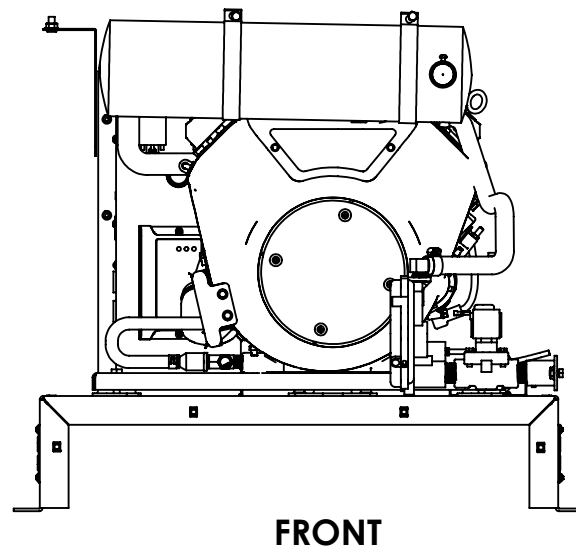
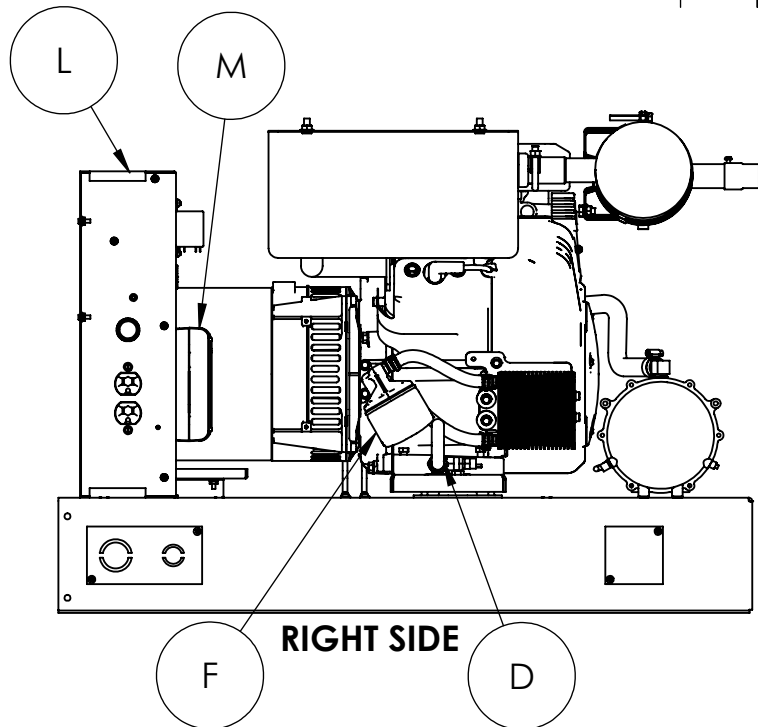
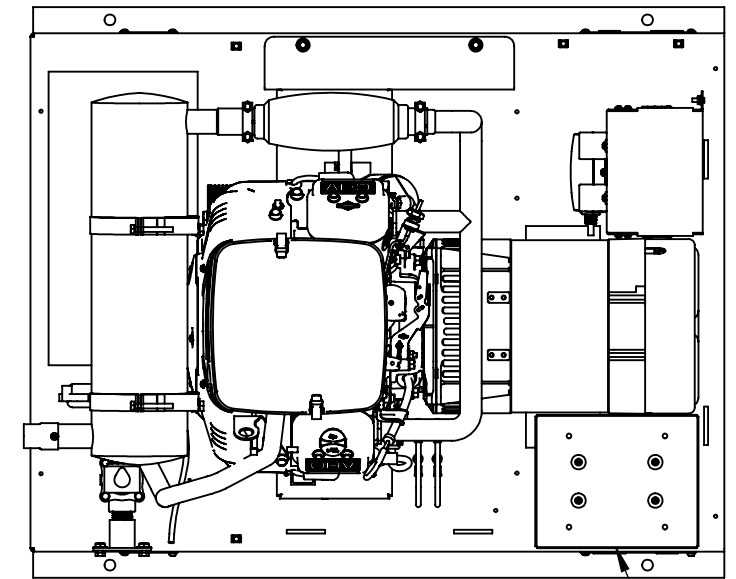
A	ENGINE CONTROL
B	MAIN LINE CIRCUIT BREAKER
C	OIL FILL
D	OIL DRAIN
E	OIL DIPSTICK
F	OIL FILTER
H	FUEL INLET
I	AIR FILTER
L	AVR
M	BATTERY CHARGER
O	BATTERY

TOP VIEW HOLE PATTERN

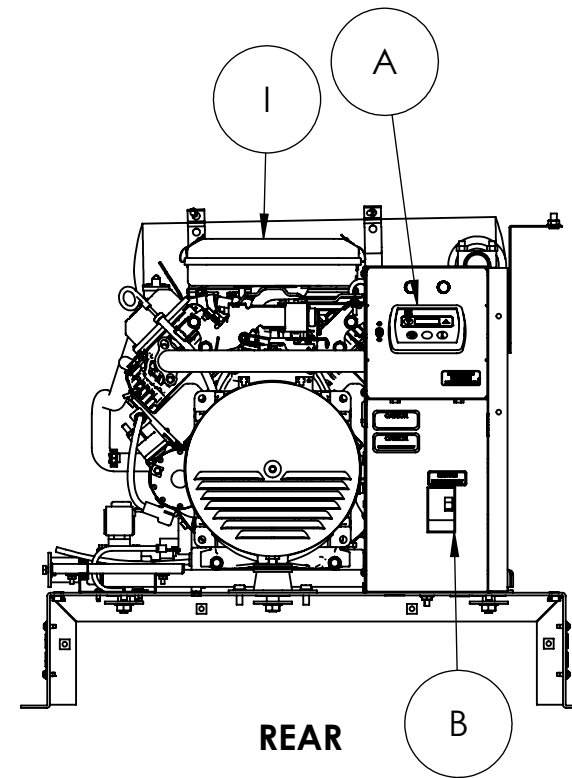


REVISIONS					
REV.	IRN	DESCRIPTION	DATE	BY	APP'D
A	PSS8	UPDATED OUTLINE DRAWING STANDARDS	1/6/2021	MCB	DRC

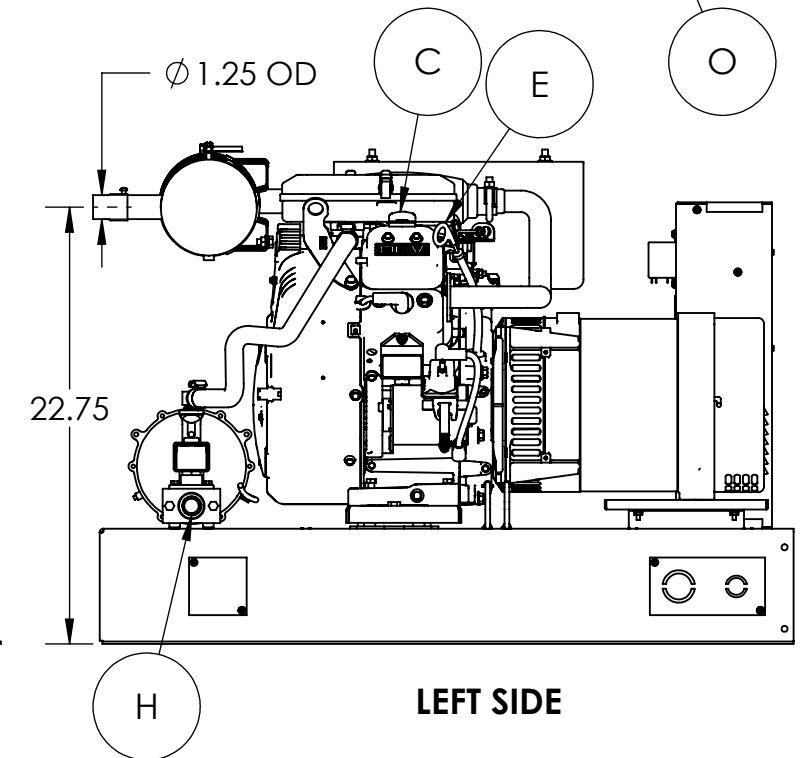
TOP



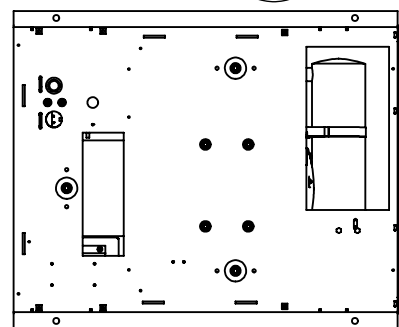
FRONT



REAR



LEFT SIDE



BOTTOM

HOUSING HIDDEN FROM VIEWS TO SHOW DETAIL

<p>THIS DRAWING CONTAINS PROPRIETARY INFORMATION BELONGING TO WINCO. UNAUTHORIZED USE IS PROHIBITED.</p> <p>ALL DIMENSIONS INCH</p>	DRAWN BY SJM	DATE 5/11/2020	CHK'D BY 	DATE 	ENG APPR. PAK	DATE 07/23/2020
	TOLERANCE: +/- 0.0625 DECIMAL +/- 1 DEG ANGULAR	TITLE: OUTLINE DRAWING				
	MODEL: PSS8	PART: O-541				
		2 of 2				