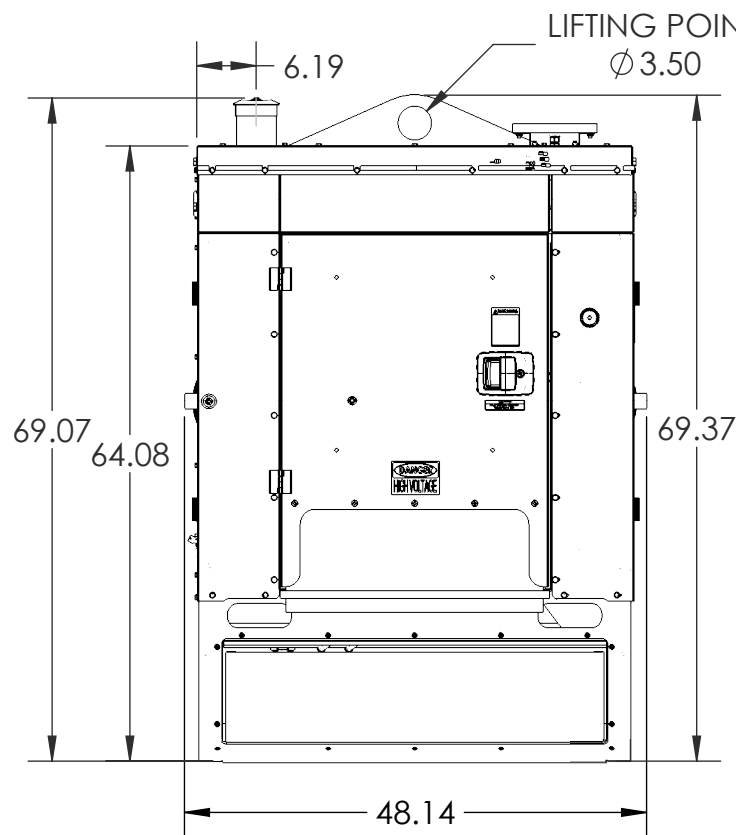
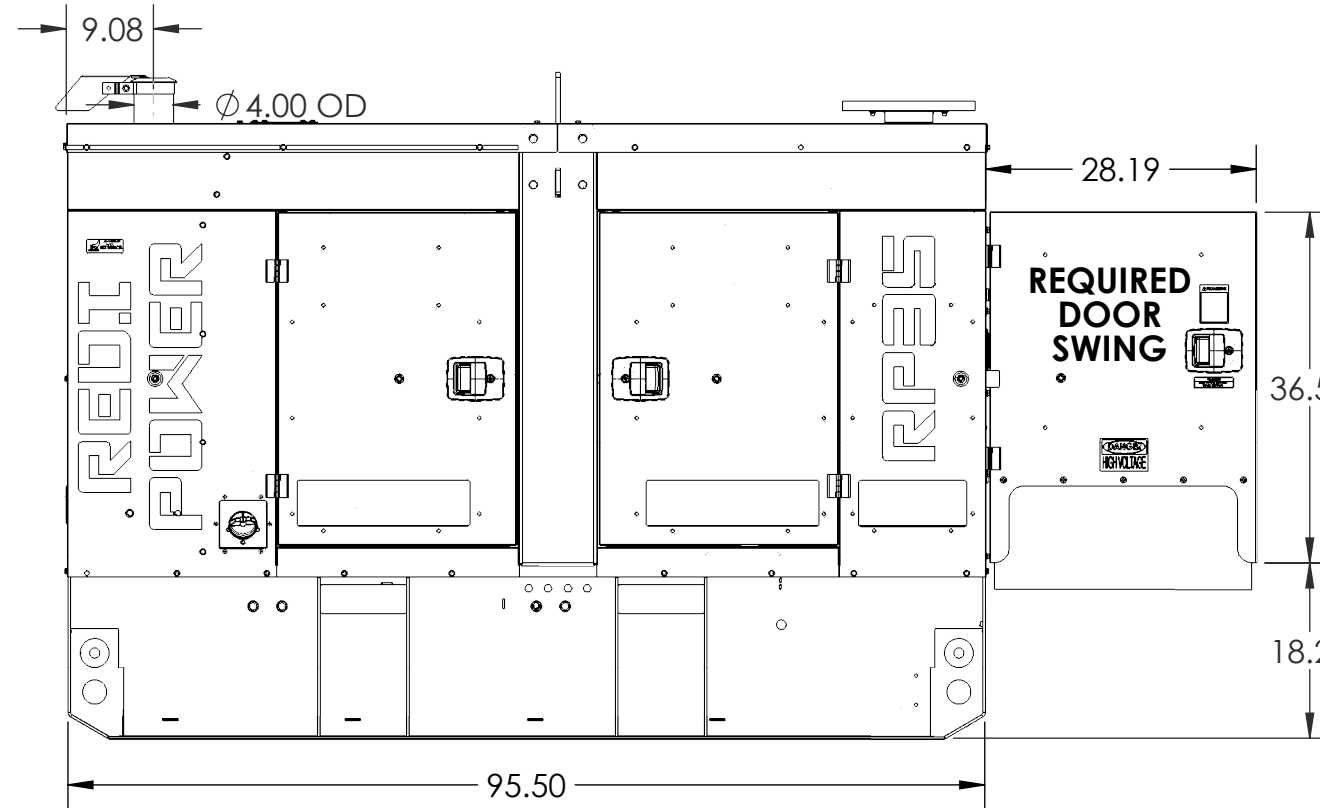


999-O

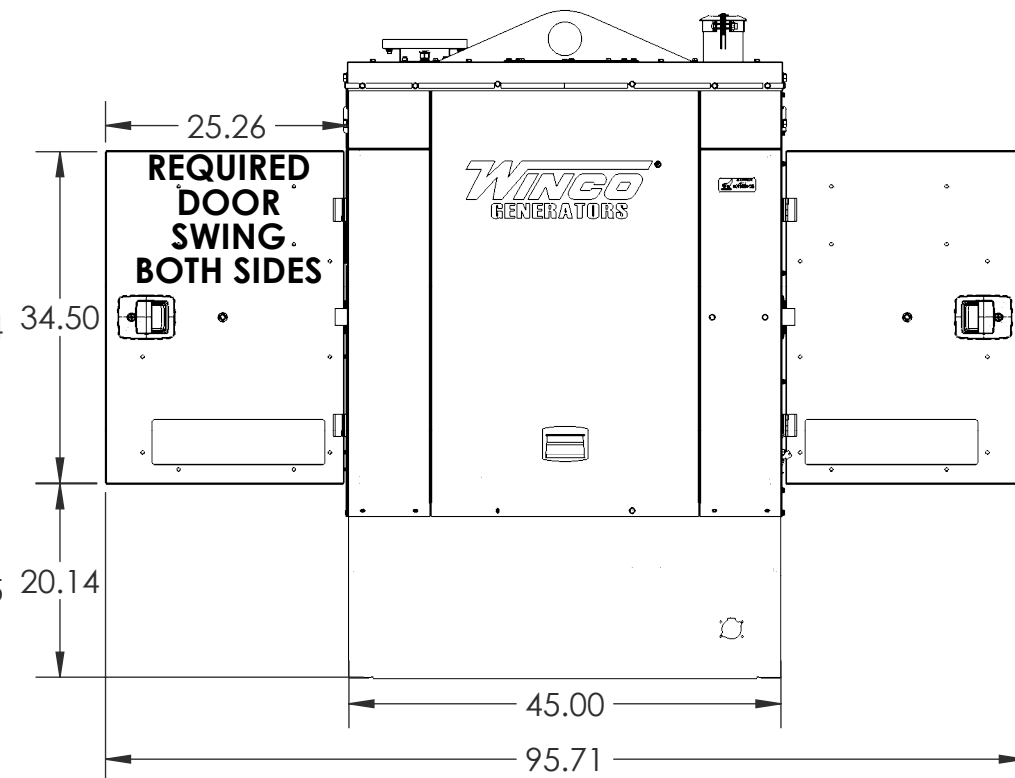
REVISIONS					
REV.	IRN	DESCRIPTION	DATE	BY	APP'D
A	RP35	NEW	4/26/2022	MCB	MCB
B	CA3485	UPDATED VIEWS AFTER P2	10/11/2022	SJM	DRC



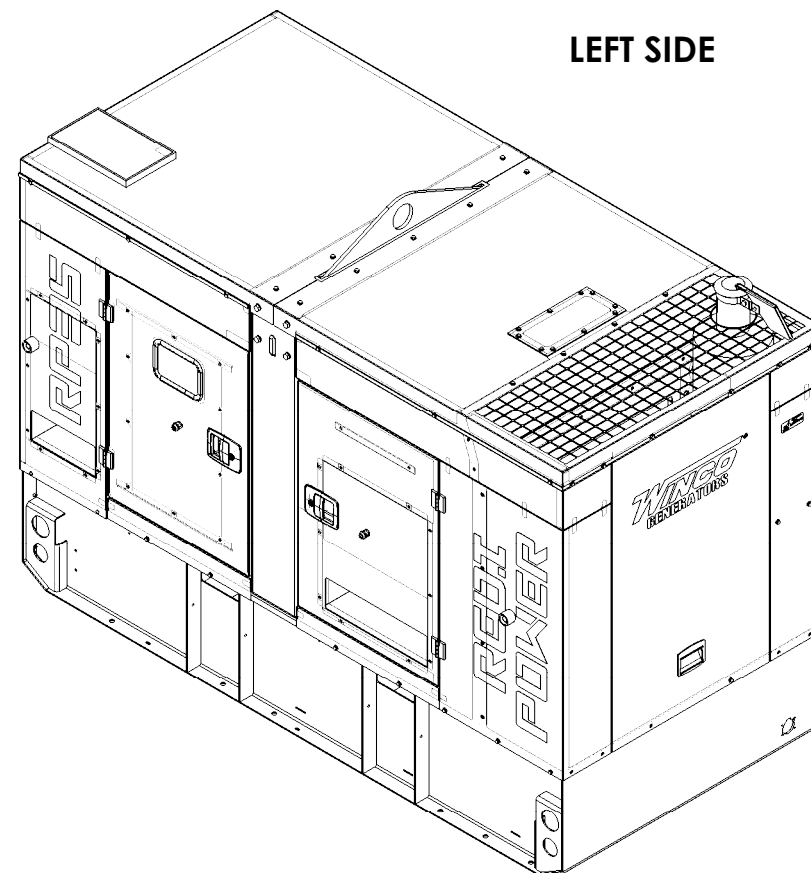
REAR



LEFT SIDE



FRONT



APPROX. WEIGHT: 3950 LBS
95 GAL TANK

 THIS DRAWING CONTAINS PROPRIETARY INFORMATION BELONGING TO WINCO. UNAUTHORIZED USE IS PROHIBITED. ALL DIMENSIONS INCH	DRAWN BY PAK	DATE 11/24/2020	CHK'D BY ---	DATE --/------	ENG APPR. PAK	DATE 07/23/2020
	TOLERANCE: +/- 0.0625 DECIMAL +/- 1 DEG ANGULAR	MODEL: RP35 HOUSED SKID		TITLE: OUTLINE DRAWING		
	PART: O-566			1 of 2		



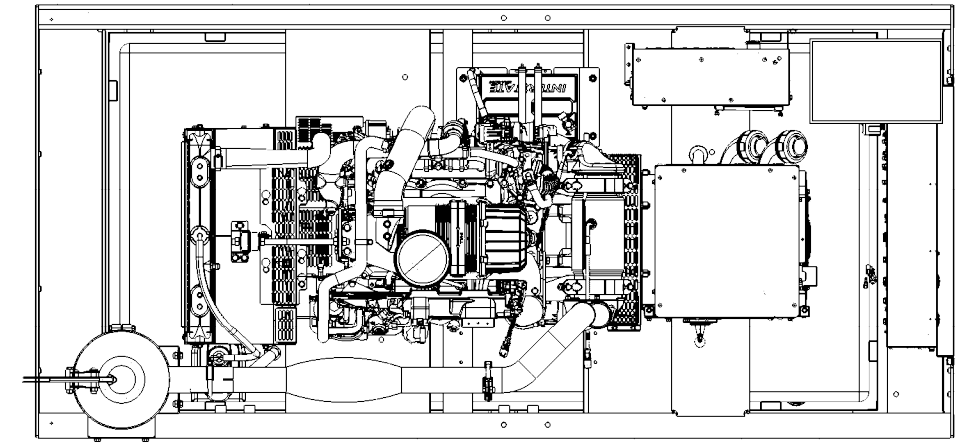
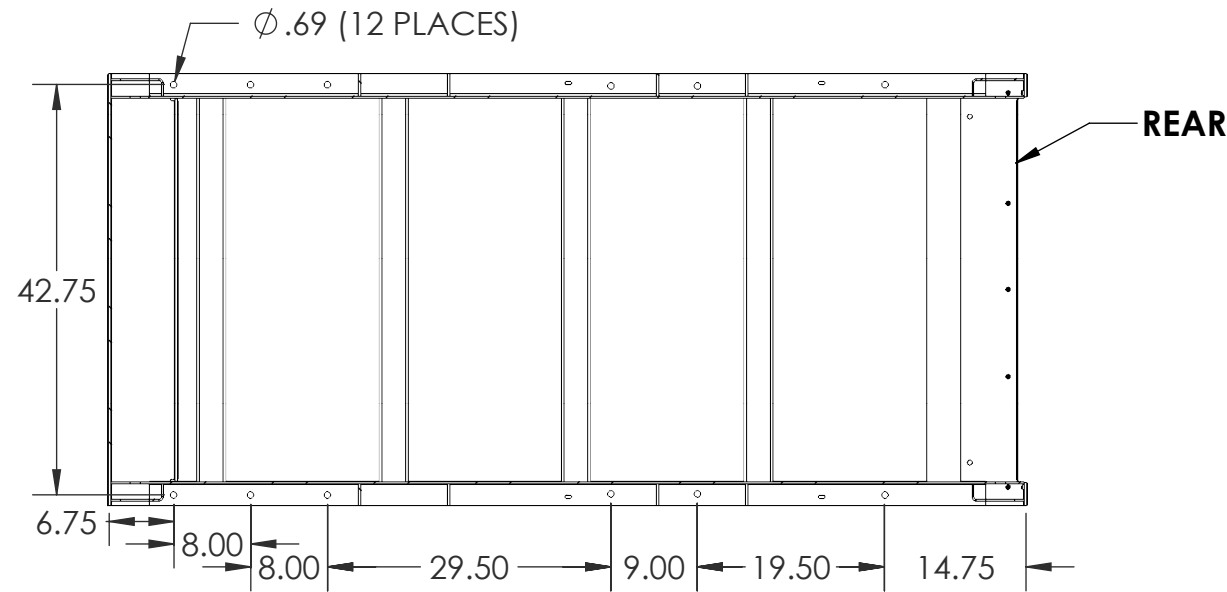
995-O

TOP VIEW HOLE PATTERN

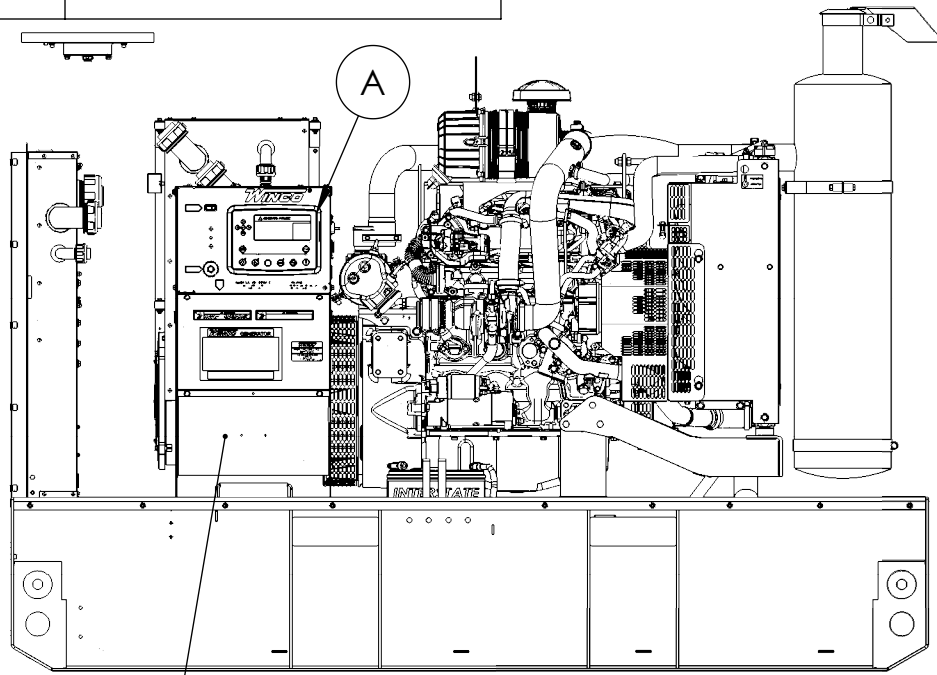
REVISIONS					
REV.	IRN	DESCRIPTION	DATE	BY	APP'D
A	RP35	NEW	4/26/2022	MCB	MCB
B	CA3485	UPDATED VIEWS AFTER P2	10/11/2022	SJM	DRC

KEY COMPONENTS

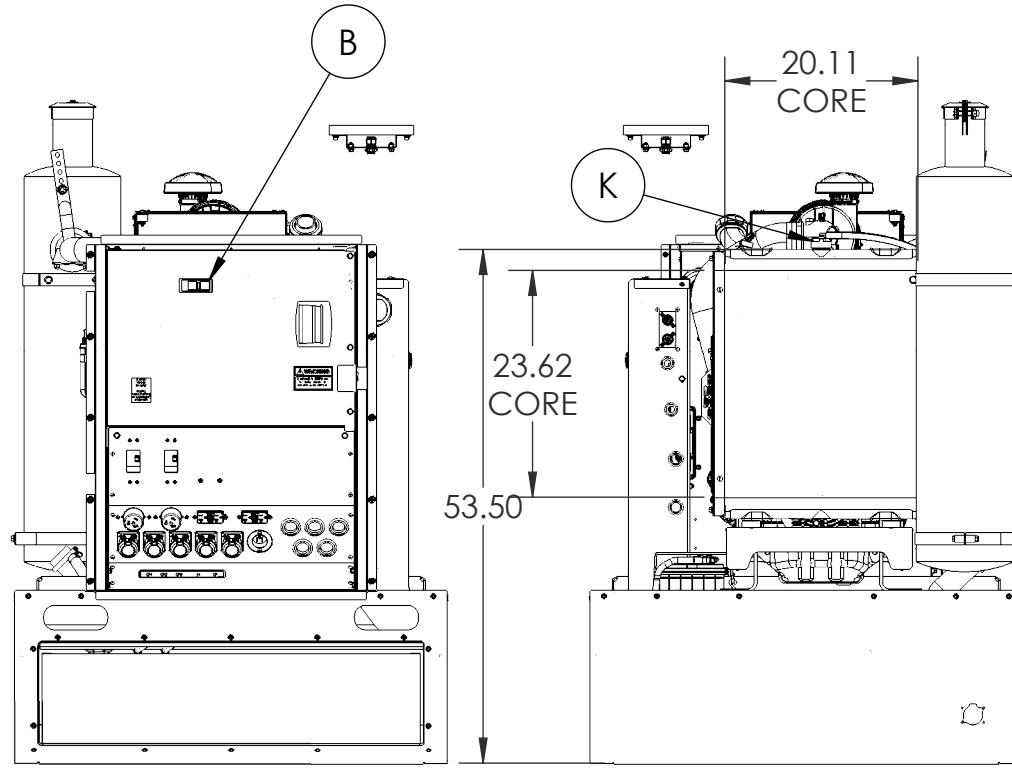
A	ENGINE CONTROL
B	MAIN LINE CIRCUIT BREAKER
C	OIL FILL
D	OIL DRAIN
E	OIL DIPSTICK
F	OIL FILTER
G	FUEL FILTER
H	FUEL INLET
I	AIR FILTER
J	COOLANT DRAIN
K	COOLANT FILL
L	AVR
M	BATTERY CHARGER
O	BATTERY
P	SOLAR BATTERY CHARGER



TOP

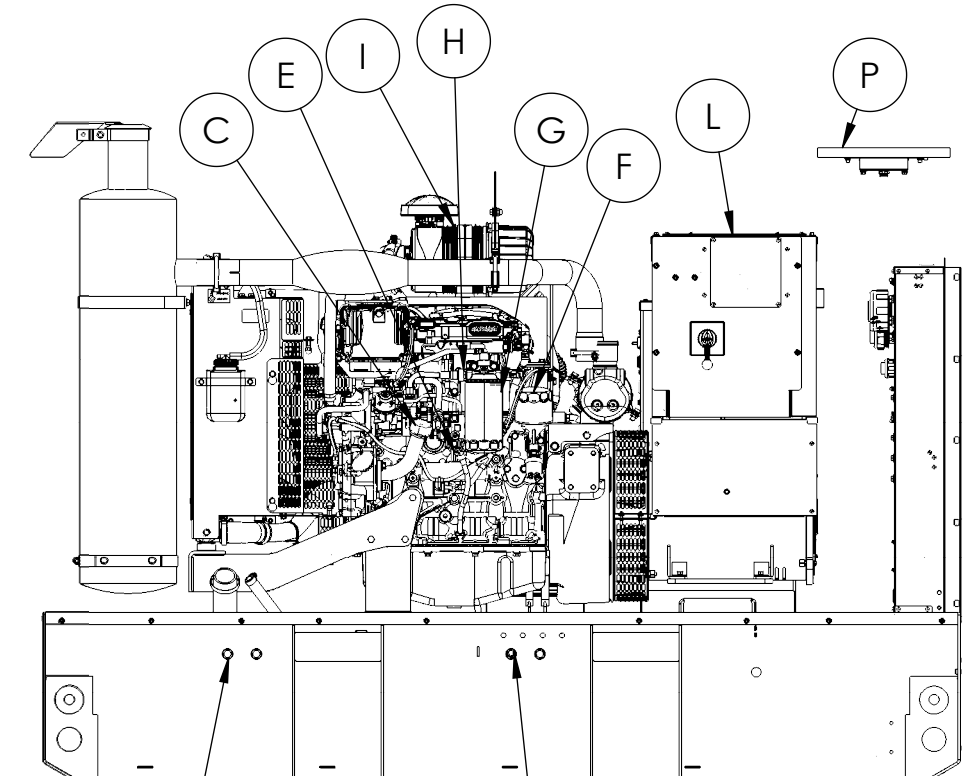


RIGHT SIDE

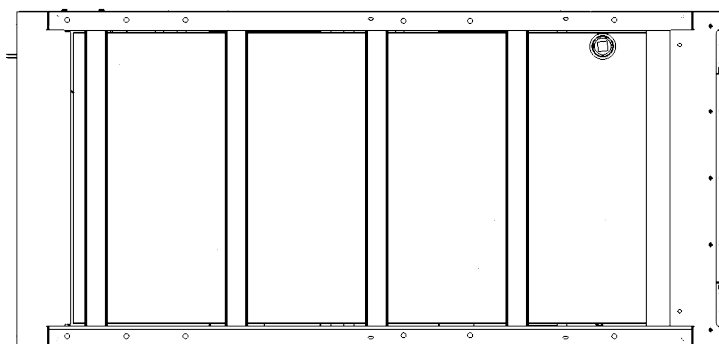


REAR

FRONT



LEFT SIDE



BOTTOM

3/8 FUEL HOSE

<p>THIS DRAWING CONTAINS PROPRIETARY INFORMATION BELONGING TO WINCO. UNAUTHORIZED USE IS PROHIBITED.</p> <p>ALL DIMENSIONS INCH</p>	DRAWN BY	DATE	CHK'D BY	DATE	ENG APPR.	DATE
	AMS	7/1/2021			PAK	07/23/2020
	TOLERANCE:	+/- 0.0625 DECIMAL		+/- 1 DEG ANGULAR		TITLE:
	MODEL:	RP35 HOUSED SKID				OUTLINE DRAWING
	PART:		O-566		2 of 2	

