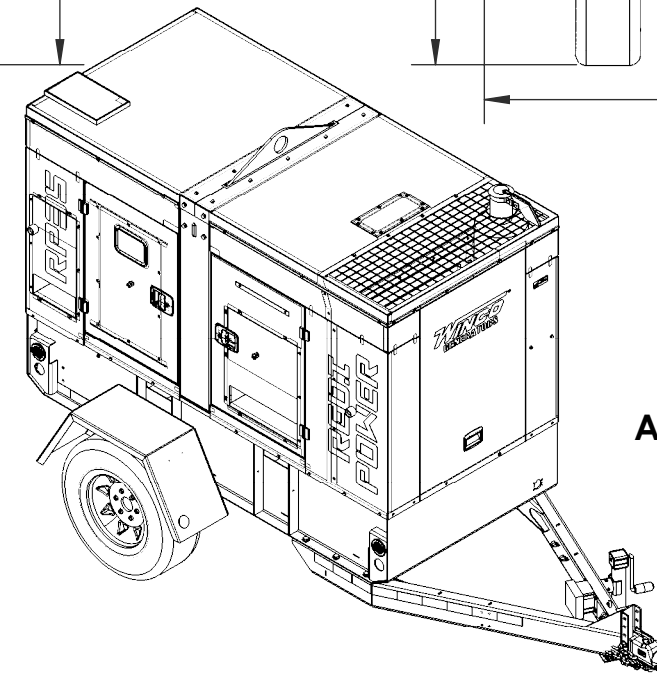
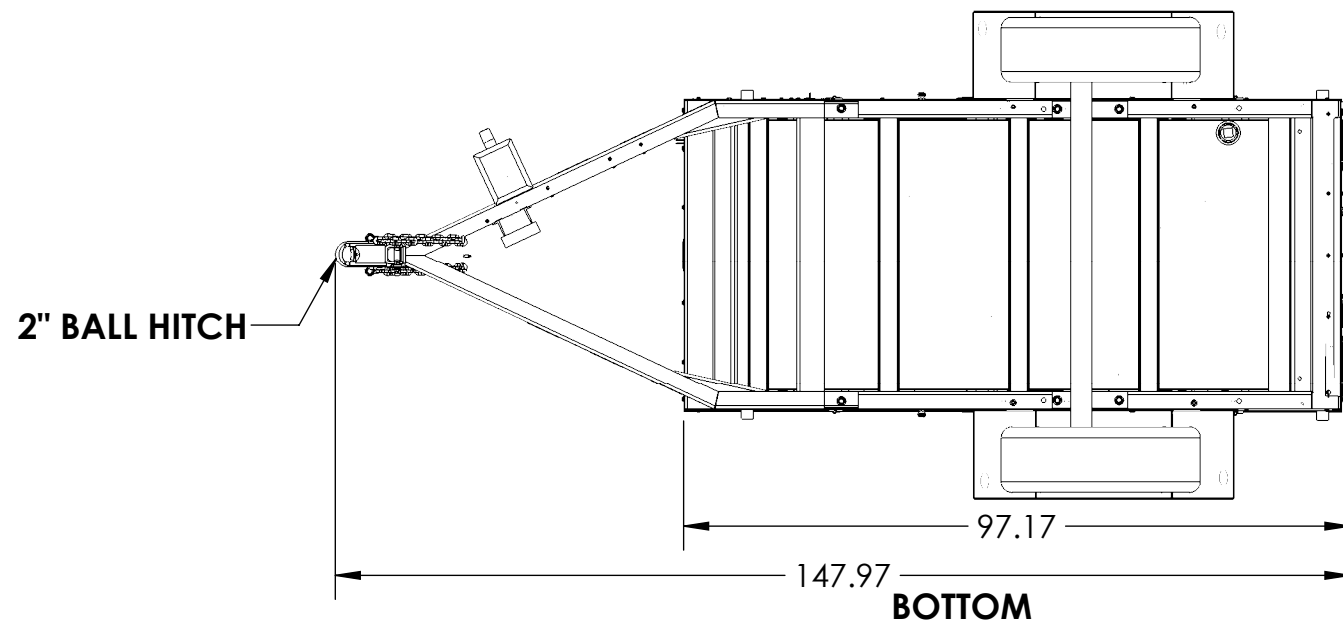
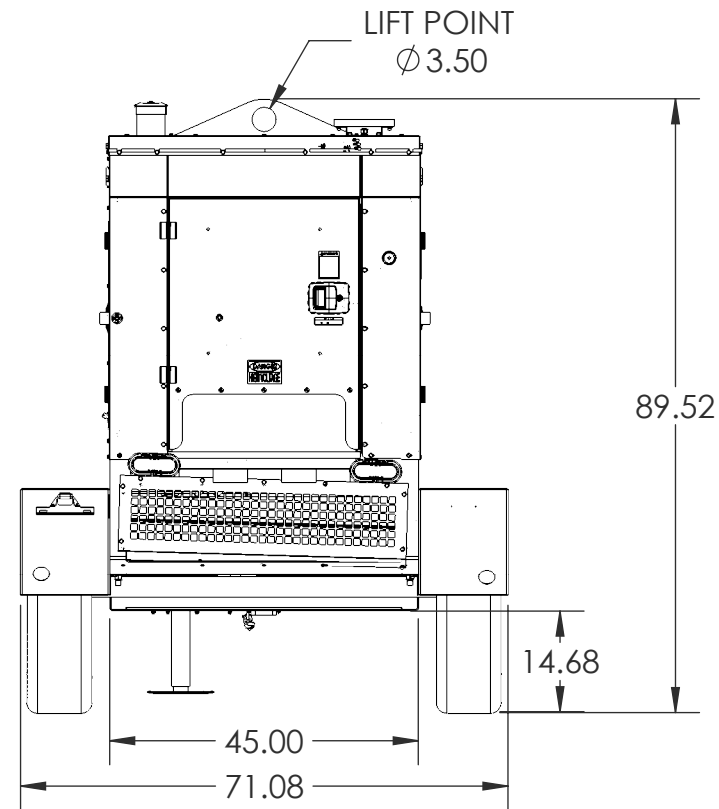
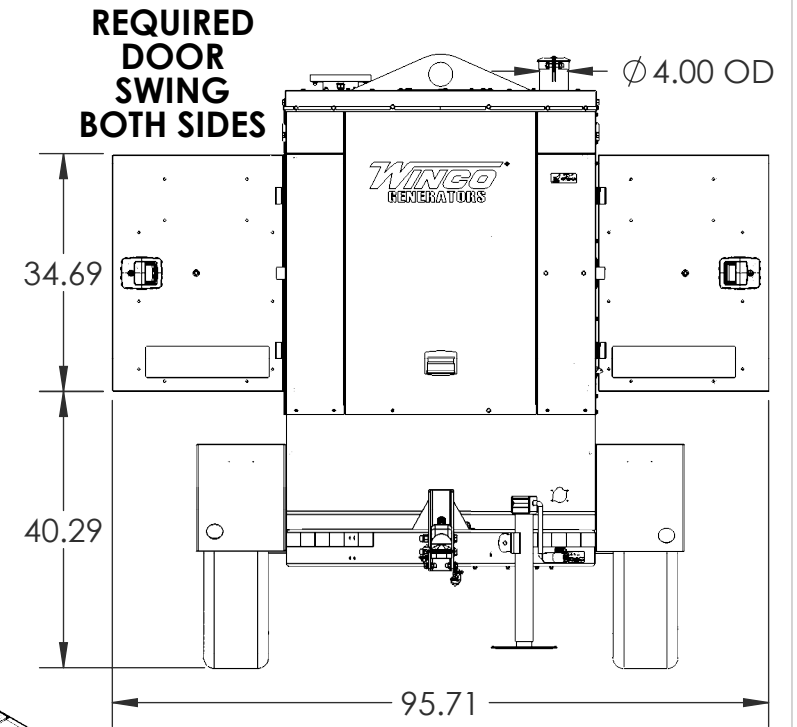
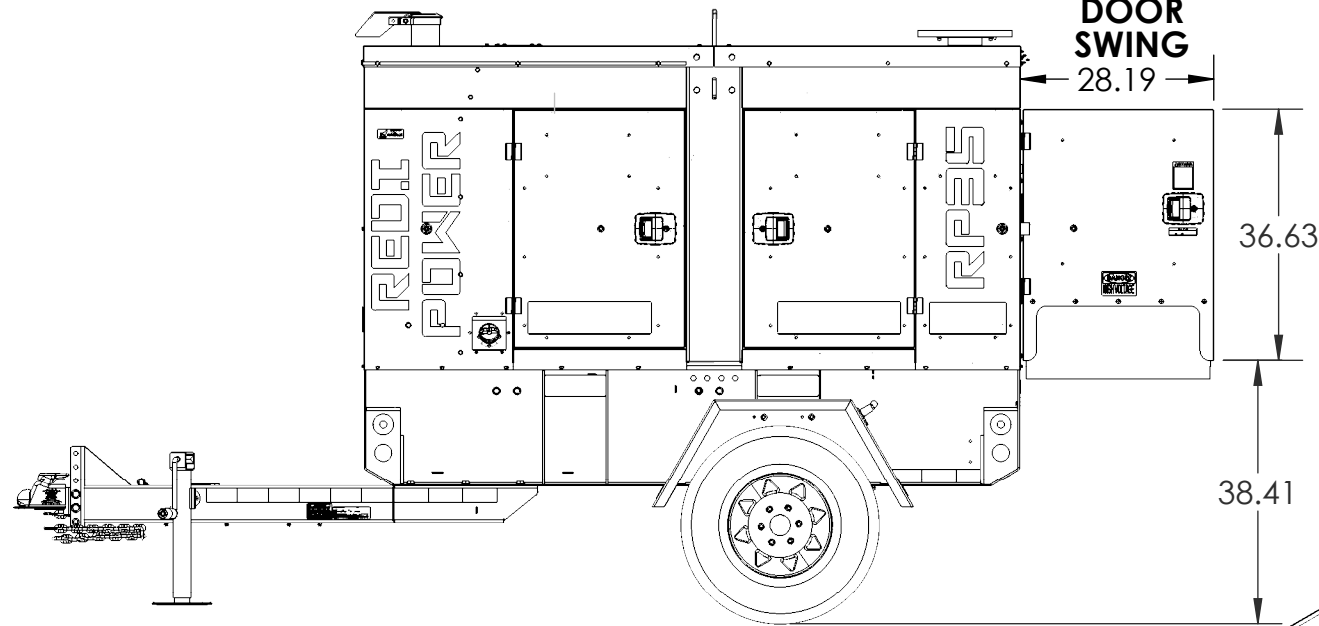
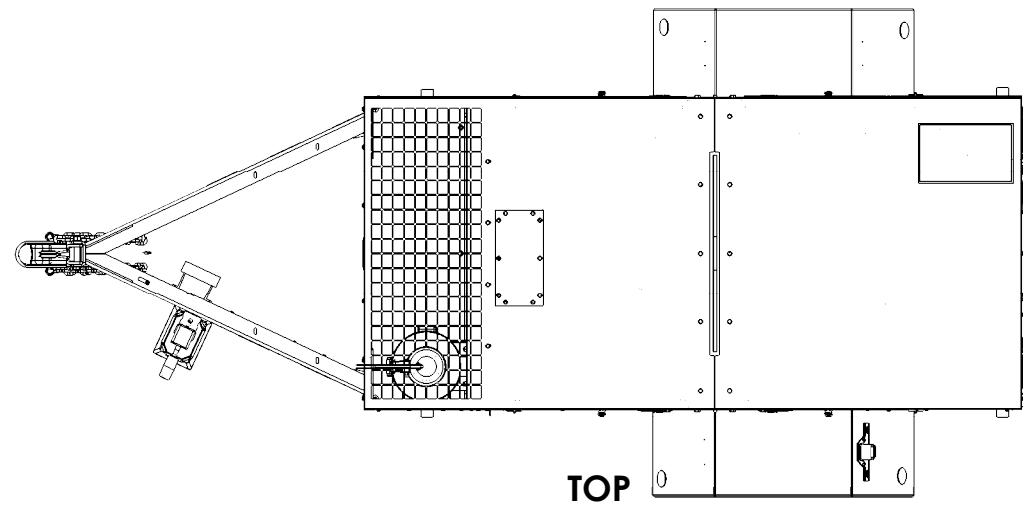


995-O

REVISIONS					
REV.	IRN	DESCRIPTION	DATE	BY	APP'D
A	RP35	NEW	4/26/2022	MCB	MCB
B	RP35	UPDATED VIEWS AFTER P2	10/11/2022	SJM	DRC



APPROX. WEIGHT: 4300 LBS
95 GAL TANK

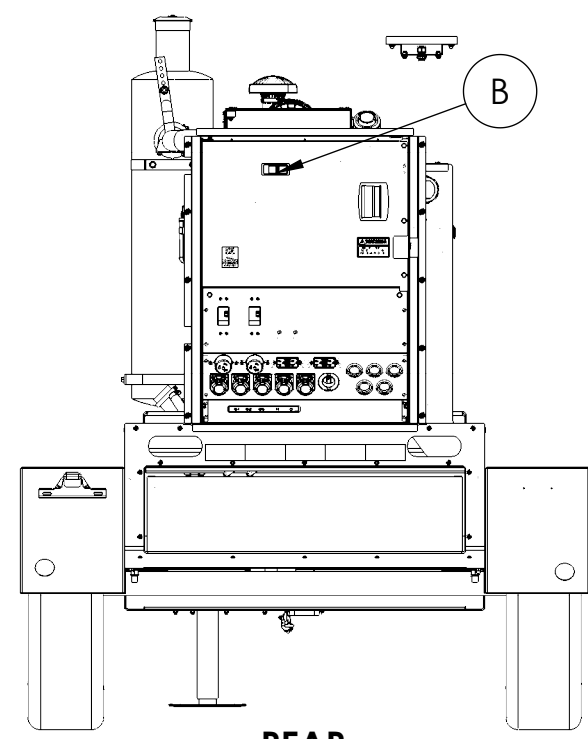
 THIS DRAWING CONTAINS PROPRIETARY INFORMATION BELONGING TO WINCO. UNAUTHORIZED USE IS PROHIBITED. ALL DIMENSIONS INCH	DRAWN BY	DATE	CHK'D BY	DATE	ENG APPR.	DATE
	PAK	11/24/2020	---	--/--/---	PAK	07/23/2020
	TOLERANCE:	+/- 0.0625 DECIMAL		TITLE:		
	MODEL:	+/- 1 DEG ANGULAR		OUTLINE DRAWING		
	RP35 MOBILE UNIT	PART:		O-565	1 of 2	

REVISIONS					
REV.	IRN	DESCRIPTION	DATE	BY	APP'D
A	RP35	NEW	4/26/2022	MCB	MCB
B	RP35	UPDATED VIEWS AFTER P2	10/11/2022	SJM	DRC

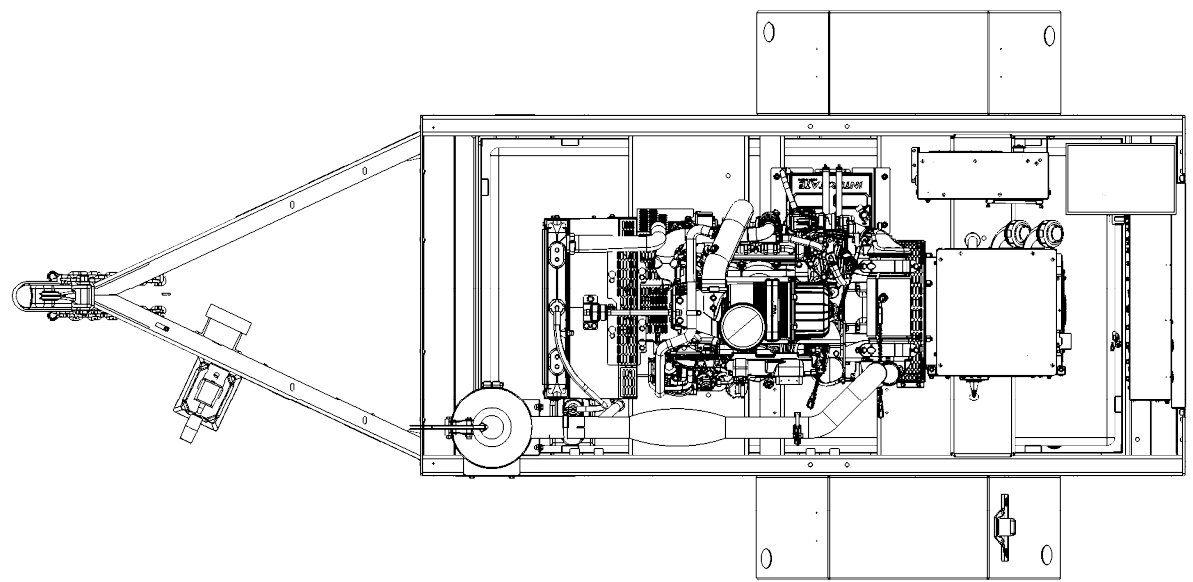
995-O

KEY COMPONENTS

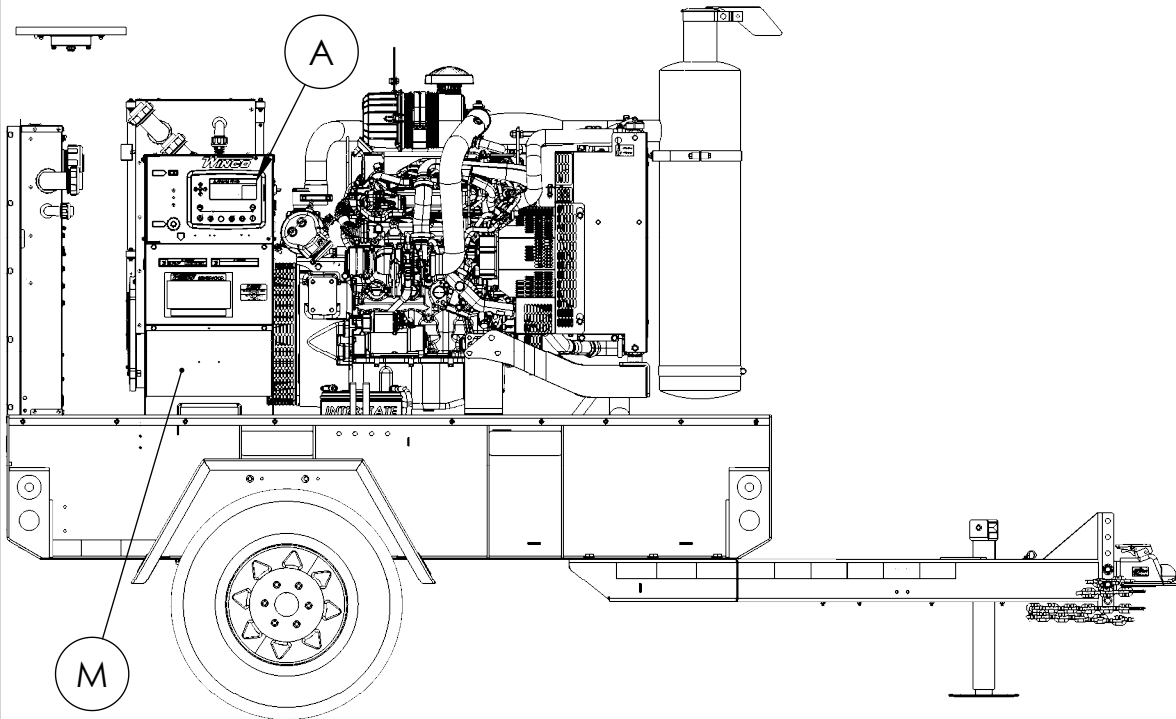
A	ENGINE CONTROL
B	MAIN LINE CIRCUIT BREAKER
C	OIL FILL
D	OIL DRAIN
E	OIL DIPSTICK
F	OIL FILTER
G	FUEL FILTER
H	FUEL INLET
I	AIR FILTER
J	COOLANT DRAIN
K	COOLANT FILL
L	AVR
M	BATTERY CHARGER
O	BATTERY
P	SOLAR BATTERY CHARGER



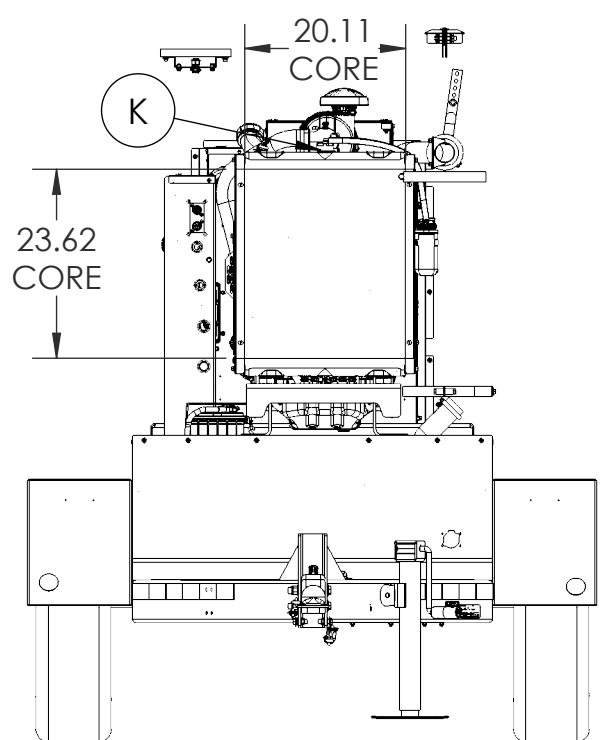
REAR



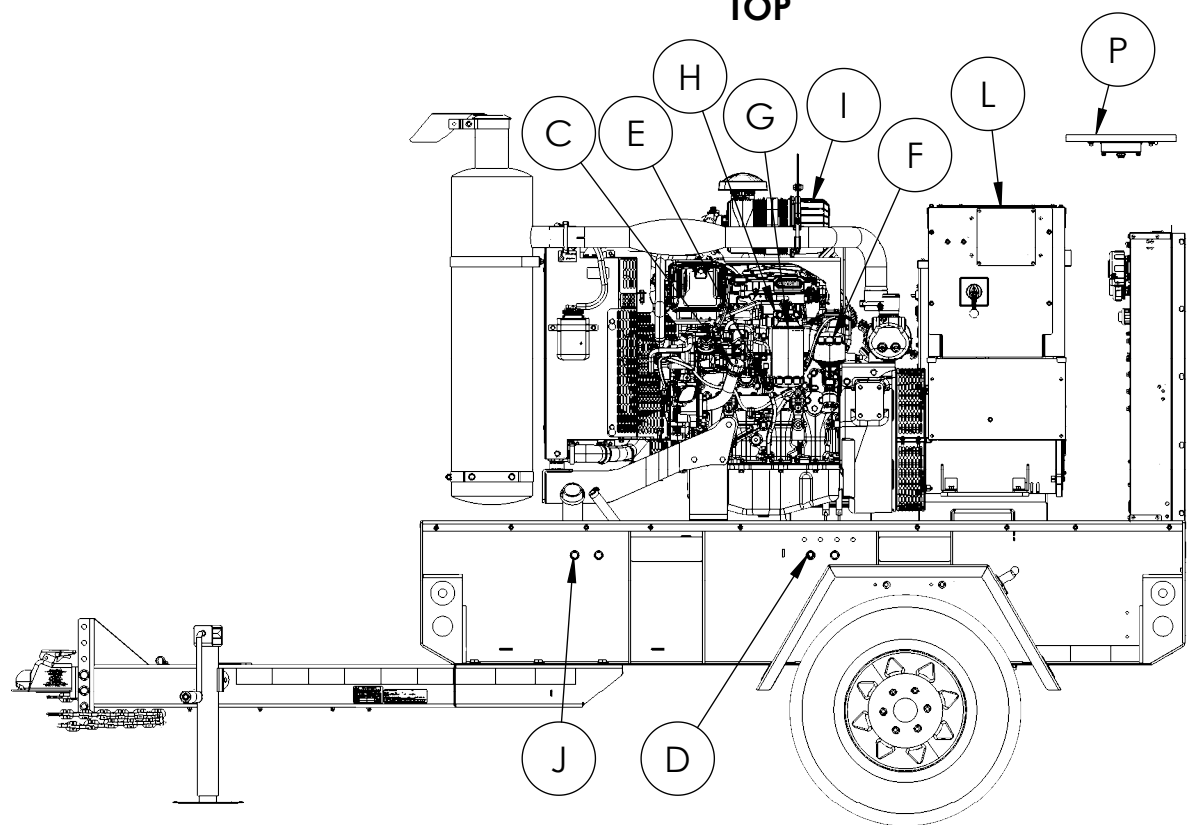
TOP



RIGHT SIDE




FRONT



LEFT SIDE

3/8 FUEL HOSE

 THIS DRAWING CONTAINS PROPRIETARY INFORMATION BELONGING TO WINCO. UNAUTHORIZED USE IS PROHIBITED. ALL DIMENSIONS INCH	DRAWN BY	DATE	CHK'D BY	DATE	ENG APPR.	DATE
	AMS	7/1/2021			PAK	07/23/2020
	TOLERANCE:	+/- 0.0625 DECIMAL		TITLE:		
	MODEL:	+/- 1 DEG ANGULAR		OUTLINE DRAWING		
	RP35 MOBILE UNIT	PART:		O-565	2 of 2	
