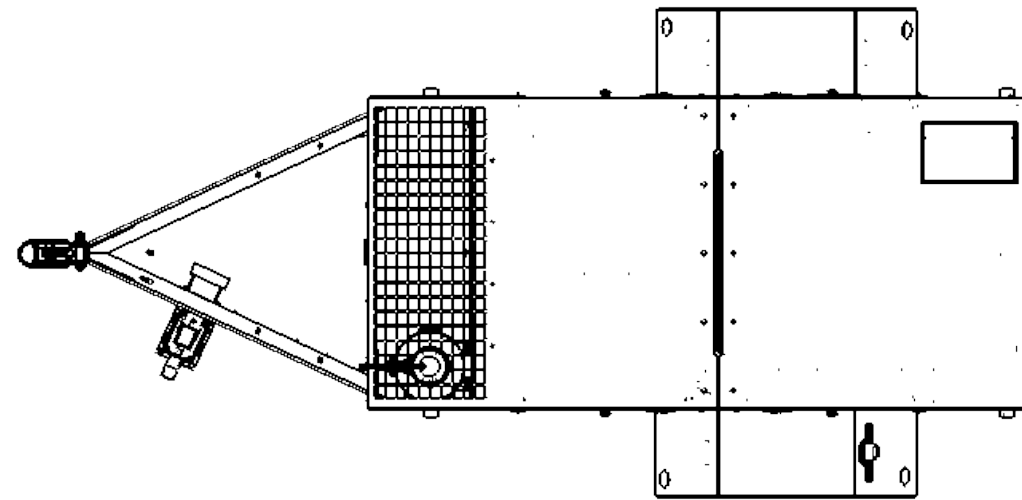
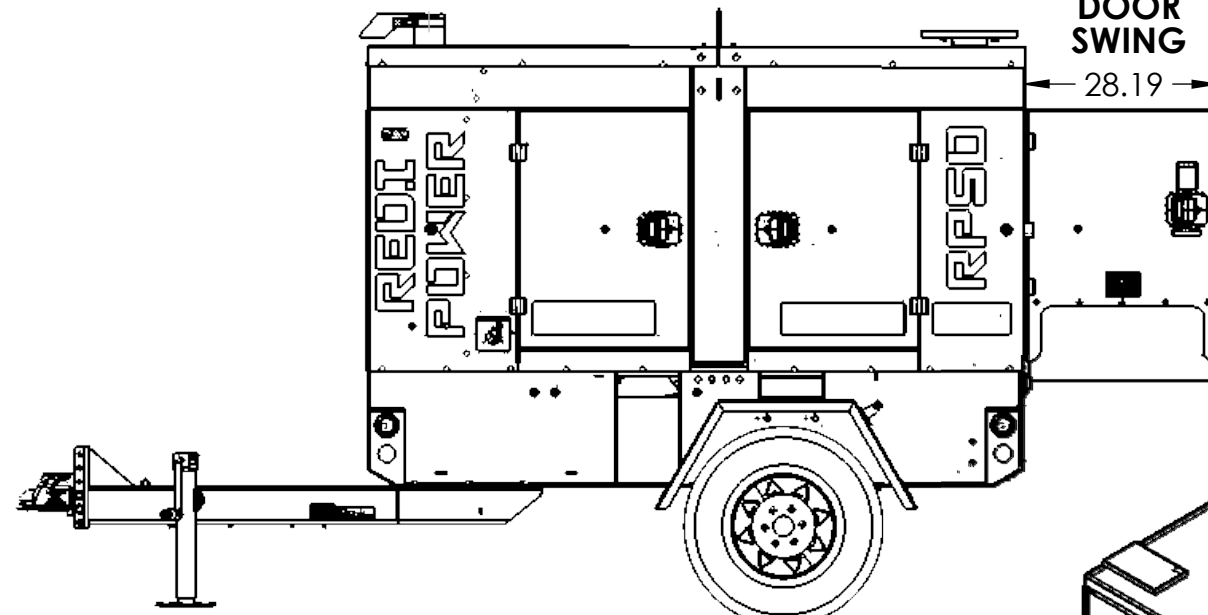
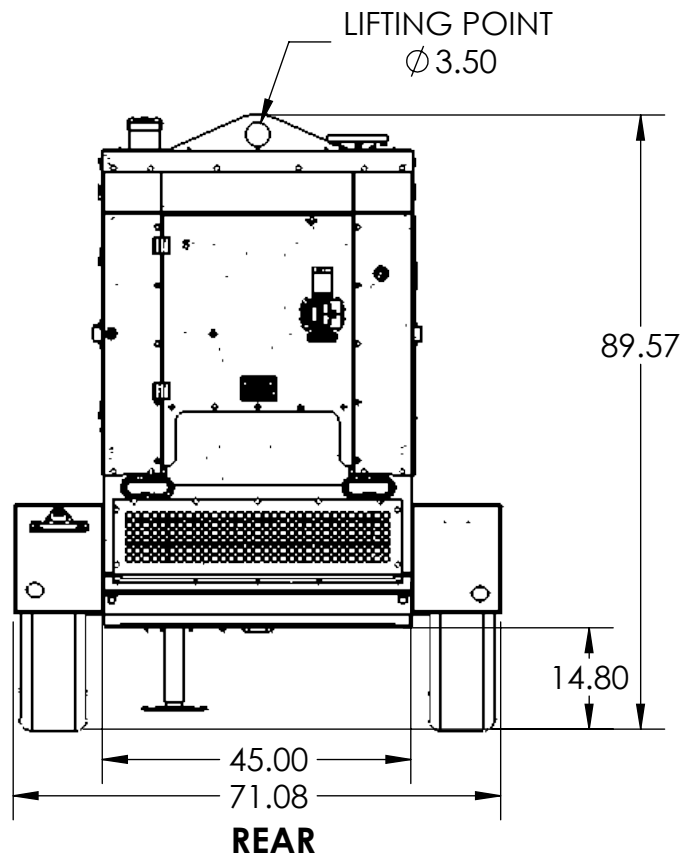


939-O

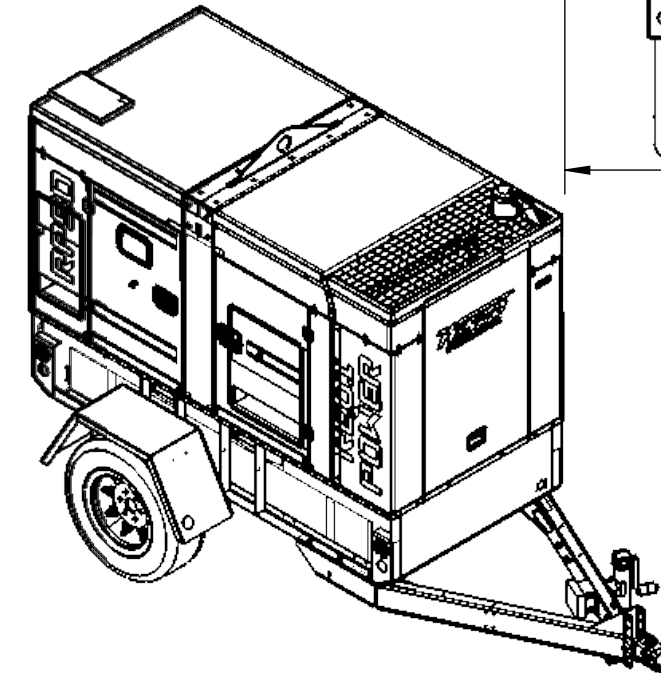
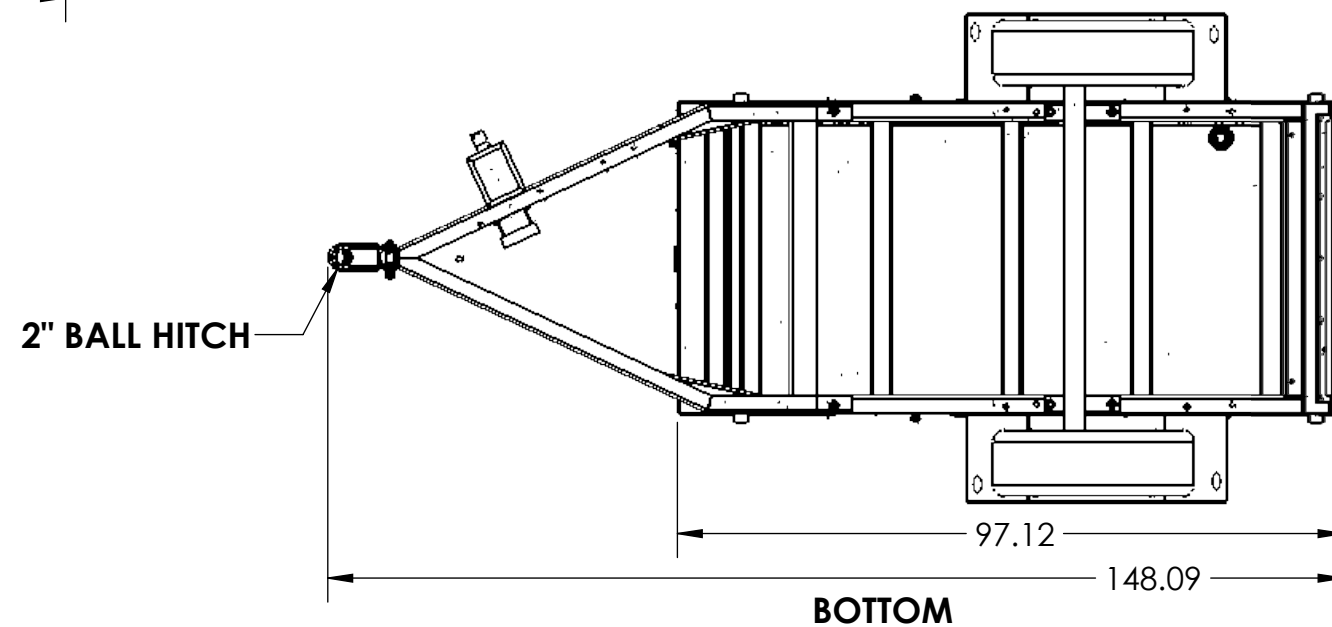
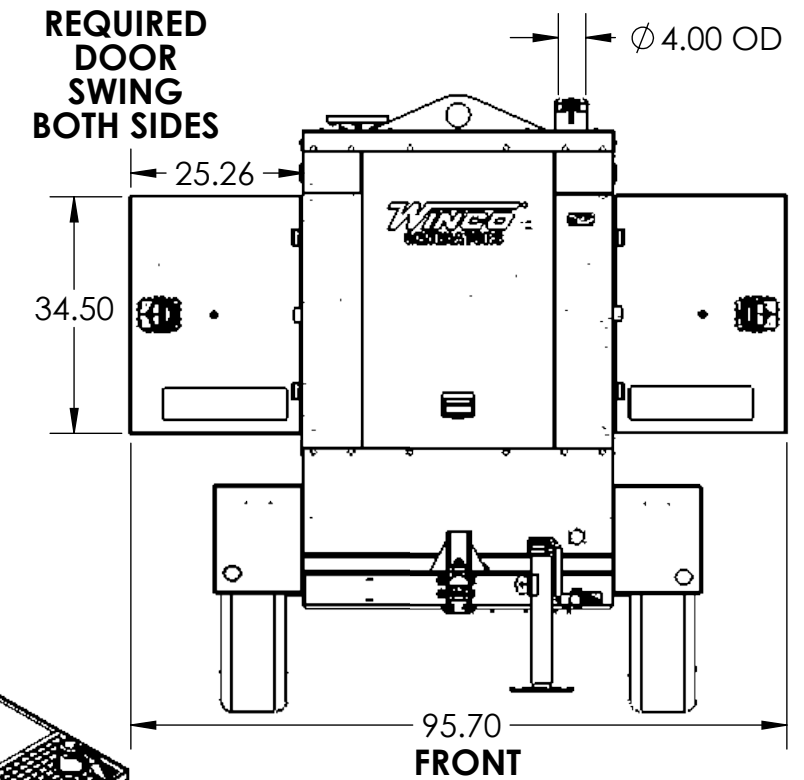
REVISIONS					
REV.	IRN	DESCRIPTION	DATE	BY	APP'D
A	RP50	UPDATED OUTLINE DRAWING STANDARDS	5/3/2021	MCB	DRC



TOP



LEFT SIDE



APPROX. WEIGHT: 4500 LBS  
95 GAL TANK

<p>THIS DRAWING CONTAINS PROPRIETARY INFORMATION BELONGING TO WINCO. UNAUTHORIZED USE IS PROHIBITED.</p> <p>ALL DIMENSIONS INCH</p>	DRAWN BY	DATE	CHK'D BY	DATE	ENG APPR.	DATE
	PAK	11/24/2020	---	--/--	PAK	07/23/2020
	TOLERANCE:	+/- 0.0625 DECIMAL		TITLE:		
	MODEL:	+/- 1 DEG ANGULAR		OUTLINE DRAWING		
					PART:	1 of 2
					O-536	

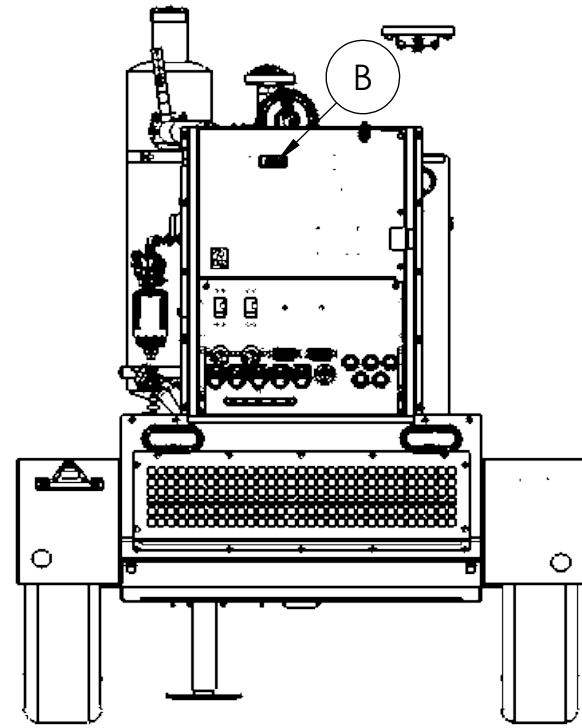


935-O

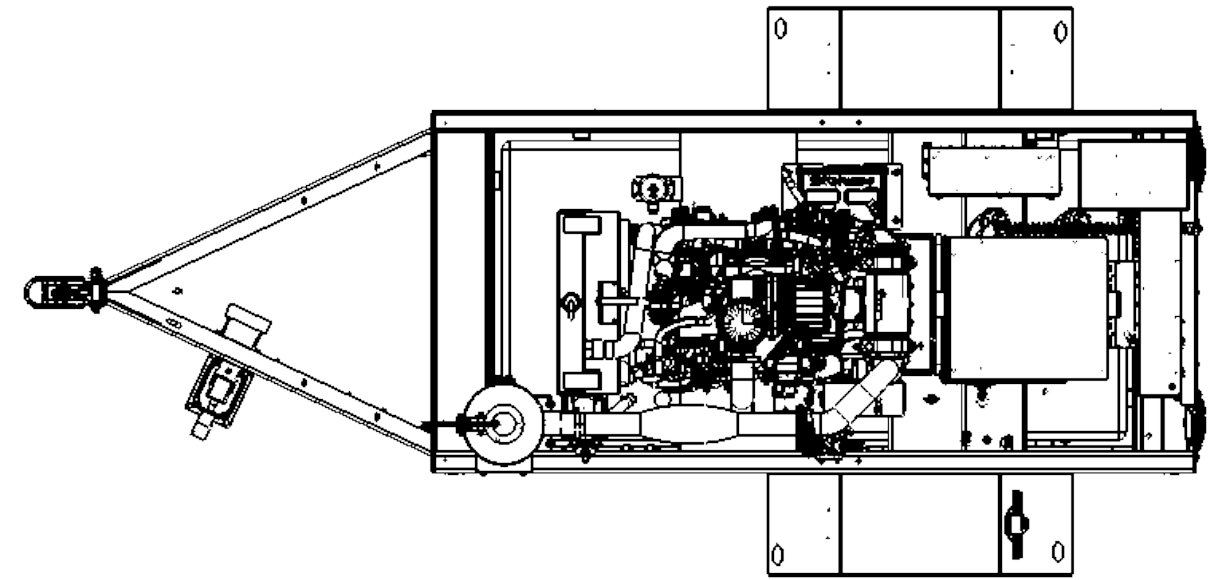
KEY COMPONENTS

A	ENGINE CONTROL
B	MAIN LINE CIRCUIT BREAKER
C	OIL FILL
D	OIL DRAIN
E	OIL DIPSTICK
F	OIL FILTER
G	FUEL FILTER
H	FUEL INLET
I	AIR FILTER
J	COOLANT DRAIN
K	COOLANT FILL
L	AVR
M	BATTERY CHARGER
O	BATTERY
P	SOLAR BATTERY CHARGER

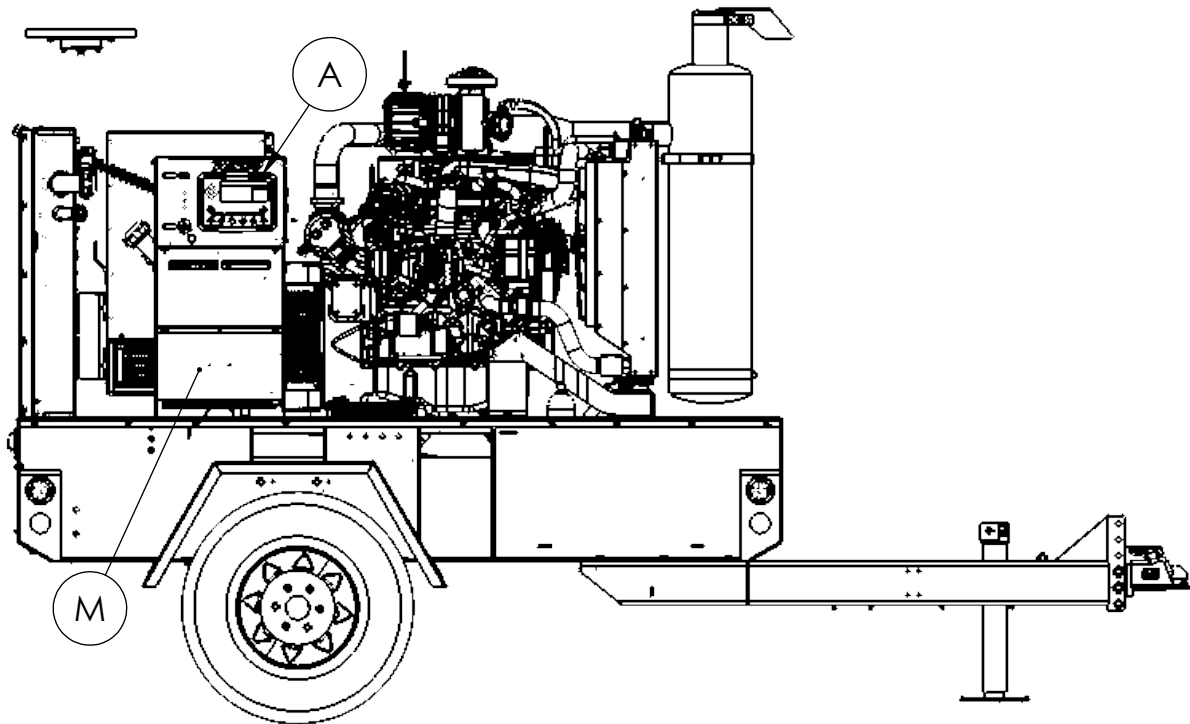
REVISIONS					
REV.	IRN	DESCRIPTION	DATE	BY	APP'D
A	RP50	UPDATED OUTLINE DRAWING STANDARDS	5/3/2021	MCB	DRC



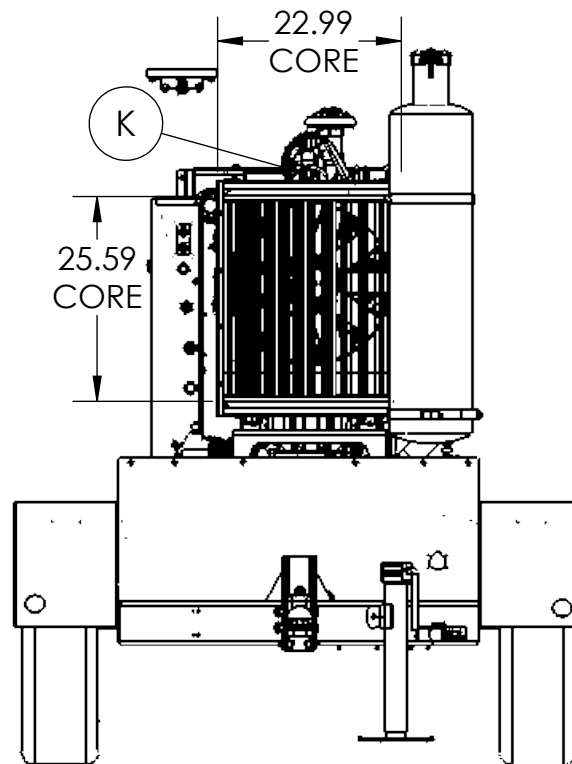
REAR



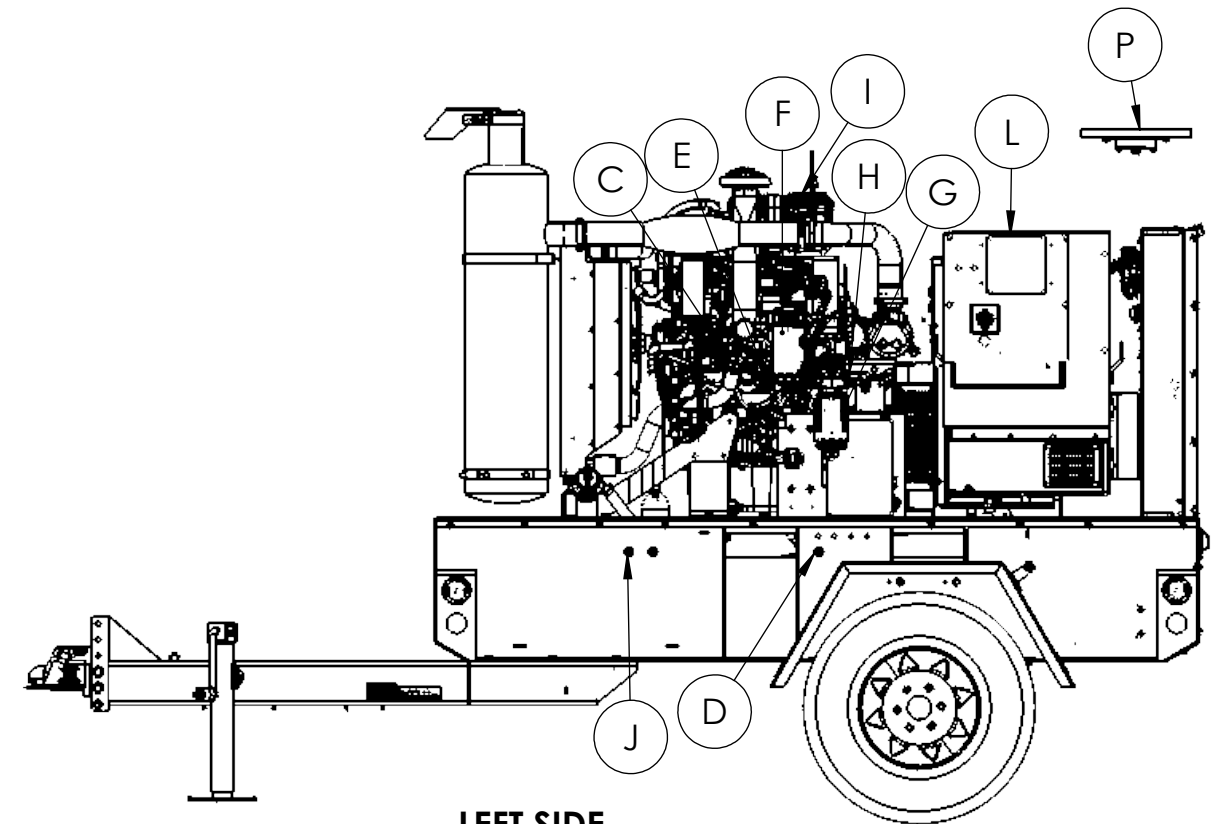
TOP



RIGHT SIDE



FRONT



LEFT SIDE

3/8 FUEL HOSE

 THIS DRAWING CONTAINS PROPRIETARY INFORMATION BELONGING TO WINCO. UNAUTHORIZED USE IS PROHIBITED. ALL DIMENSIONS INCH	DRAWN BY	DATE	CHK'D BY	DATE	ENG APPR.	DATE
	TDS	12/10/2019			PAK	07/23/2020
	TOLERANCE:	+/- 0.0625 DECIMAL		TITLE: OUTLINE DRAWING		
	MODEL:	RP50 MOBILE UNIT		PART: O-536 2 of 2		

